



US00D953687S

(12) **United States Design Patent** (10) **Patent No.:** **US D953,687 S**
Block et al. (45) **Date of Patent:** **** Jun. 7, 2022**

(54) **HOUSE SHAPED PASTRY**

(71) Applicants: **Chuck Block**, San Diego, CA (US);
Dan Blanchard, San Diego, CA (US)

(72) Inventors: **Chuck Block**, San Diego, CA (US);
Dan Blanchard, San Diego, CA (US)

(**) Term: **15 Years**

(21) Appl. No.: **29/771,515**

(22) Filed: **Feb. 23, 2021**

(51) **LOC (13) Cl.** **01-01**

(52) **U.S. Cl.**
USPC **D1/106; D1/129**

(58) **Field of Classification Search**
USPC D1/100–130, 199; 426/5, 76, 87, 92, 94,
426/95, 99, 101, 103, 108, 138–139, 143,
426/144, 279, 282, 283, 391, 514, 549,
426/660; D21/478–480, 483, 484,
D21/490–494, 501, 502, 506, 508, 509,
D21/511; D30/110, 112; D25/33, 59;
D9/416, 636; 446/108, 114, 124
CPC A63H 33/06; A63H 33/067; A63H 33/084;
A63H 33/04; A63H 33/088; A63H 33/08;
A63F 9/12
See application file for complete search history.

(56) **References Cited**

U.S. PATENT DOCUMENTS

1,562,006 A * 11/1925 Sichterman A63H 33/084
446/106
1,894,061 A * 1/1933 Sanders A63H 33/084
446/114

(Continued)

Primary Examiner — Katie Jane Stofko

(74) Attorney, Agent, or Firm — Donn K. Harms

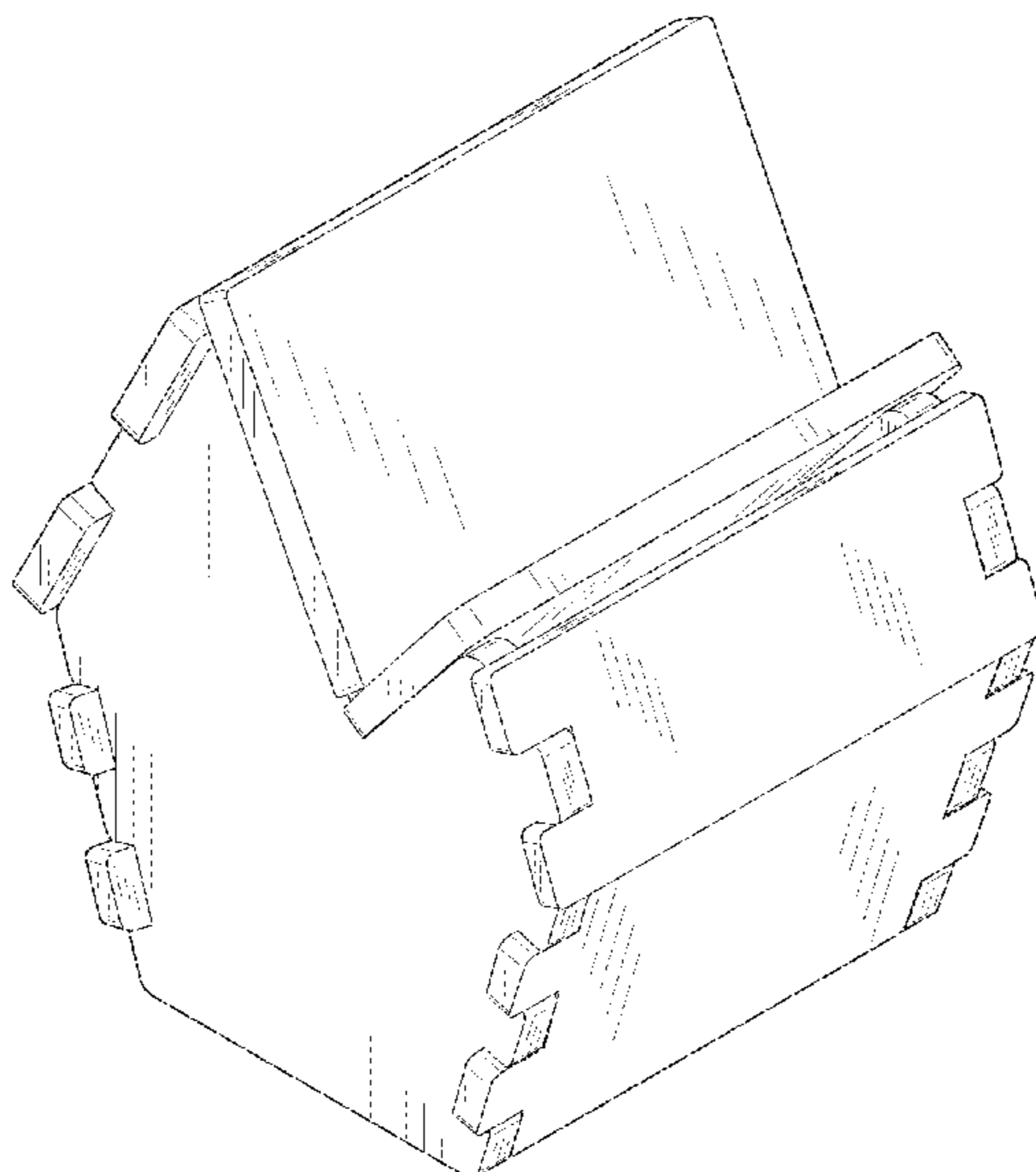
(57) **CLAIM**

An ornamental design for a house shaped pastry, as shown and described.

DESCRIPTION

FIG. 1 is a front elevation view of the front component of a house shaped pastry, the rear view of the rear component being a mirror image thereof;
FIG. 2 is a perspective view of the front component of FIG. 1, the perspective view of the rear component being a mirror image thereof;
FIG. 3 is a right side elevation view of the bottom right component of the house shaped pastry, the left side elevation view of the left component being identical thereto;
FIG. 4 is a perspective view of the bottom right component of FIG. 3, the perspective view of the left bottom component being identical thereto;
FIG. 5 is a top plan view of the top right side component of the house shaped pastry;
FIG. 6 is a perspective view of the top right side component of FIG. 5;
FIG. 7 is a top plan view of the top right central component of the house shaped pastry;
FIG. 8 is a perspective view of the top right central component of FIG. 7;
FIG. 9 is a top plan view of the top left central component of the house shaped pastry;
FIG. 10 is a perspective view of the top left central component of FIG. 9;
FIG. 11 is a top plan view of the top left side component of the house shaped pastry;
FIG. 12 is a perspective view of the top left side component of FIG. 11;
FIG. 13 is a front elevation view of the assembled house shaped pastry, the rear elevation view being a mirror image thereof;
FIG. 14 is a right side elevation view thereof;
FIG. 15 is a left side elevation view thereof;
FIG. 16 is a top plan view thereof; and,
FIG. 17 is a front, top, right side perspective view thereof.

1 Claim, 8 Drawing Sheets



(56)

References Cited

U.S. PATENT DOCUMENTS

2,278,327	A *	3/1942	Magnus	A63H 33/108 446/124
D172,786	S *	8/1954	Eitemiller	D21/479
D224,029	S *	6/1972	Gale	D21/826
D251,265	S *	3/1979	Shorten	D21/511
4,431,395	A *	2/1984	Babos	A21B 3/13 249/133
D285,587	S *	9/1986	Murdough, Jr.	D21/491
5,215,490	A *	6/1993	Szoradi	A63H 33/08 446/115
5,273,477	A *	12/1993	Adams, Jr.	A63H 33/08 446/108
5,871,212	A *	2/1999	Lee	A63F 3/02 273/283
7,210,920	B2 *	5/2007	Kolz	A21C 3/021 206/575
D699,793	S *	2/2014	Gomez	D21/511
D712,707	S *	9/2014	Altounian	D7/675
D792,675	S *	7/2017	Block	D1/106
D855,898	S *	8/2019	Koskey, Jr.	D30/108
D867,716	S *	11/2019	Block	D1/106
D939,783	S *	12/2021	Zou	D30/108
2004/0142063	A1 *	7/2004	Kolz	A21C 3/021 425/298

* cited by examiner

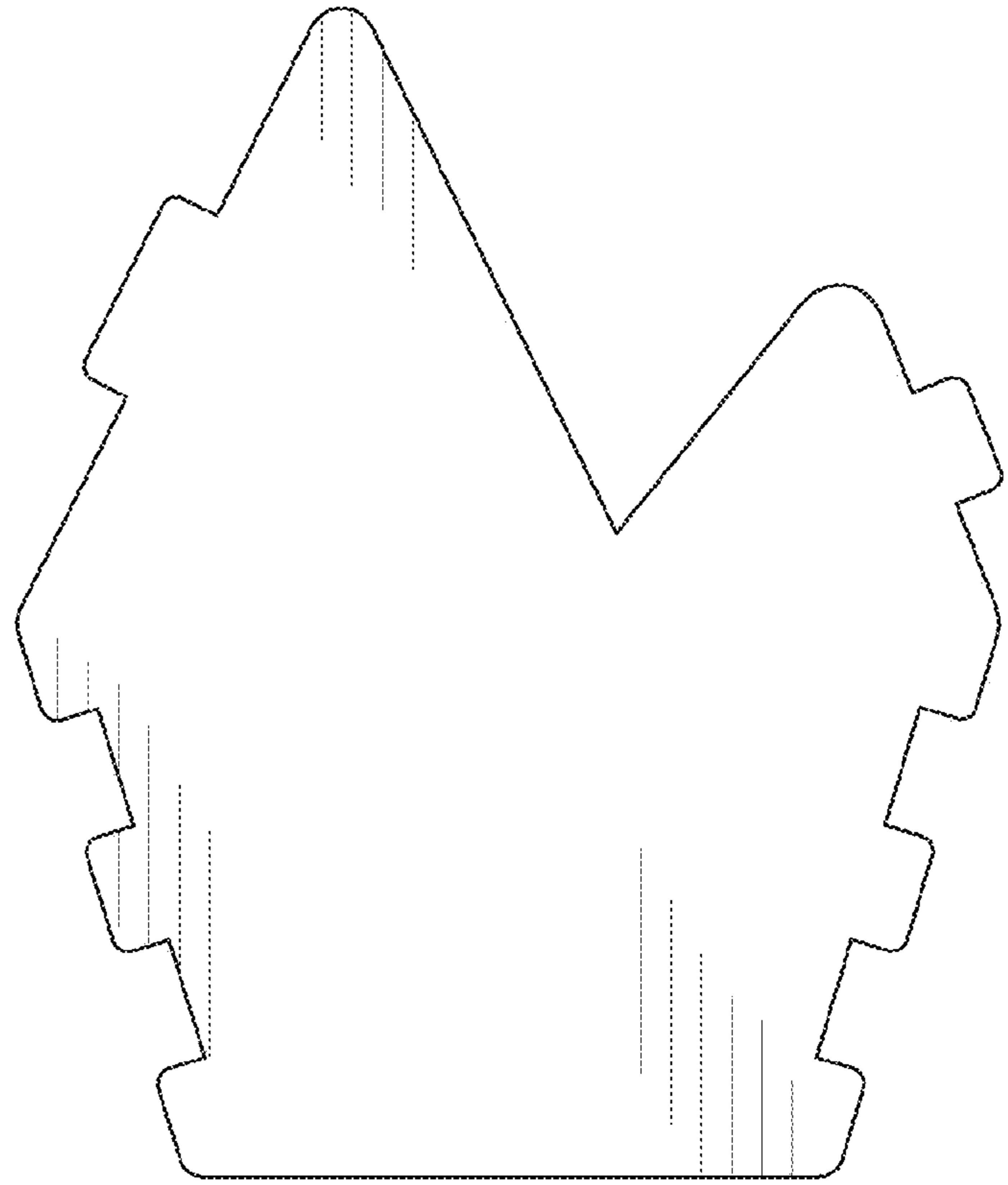


FIG. 1

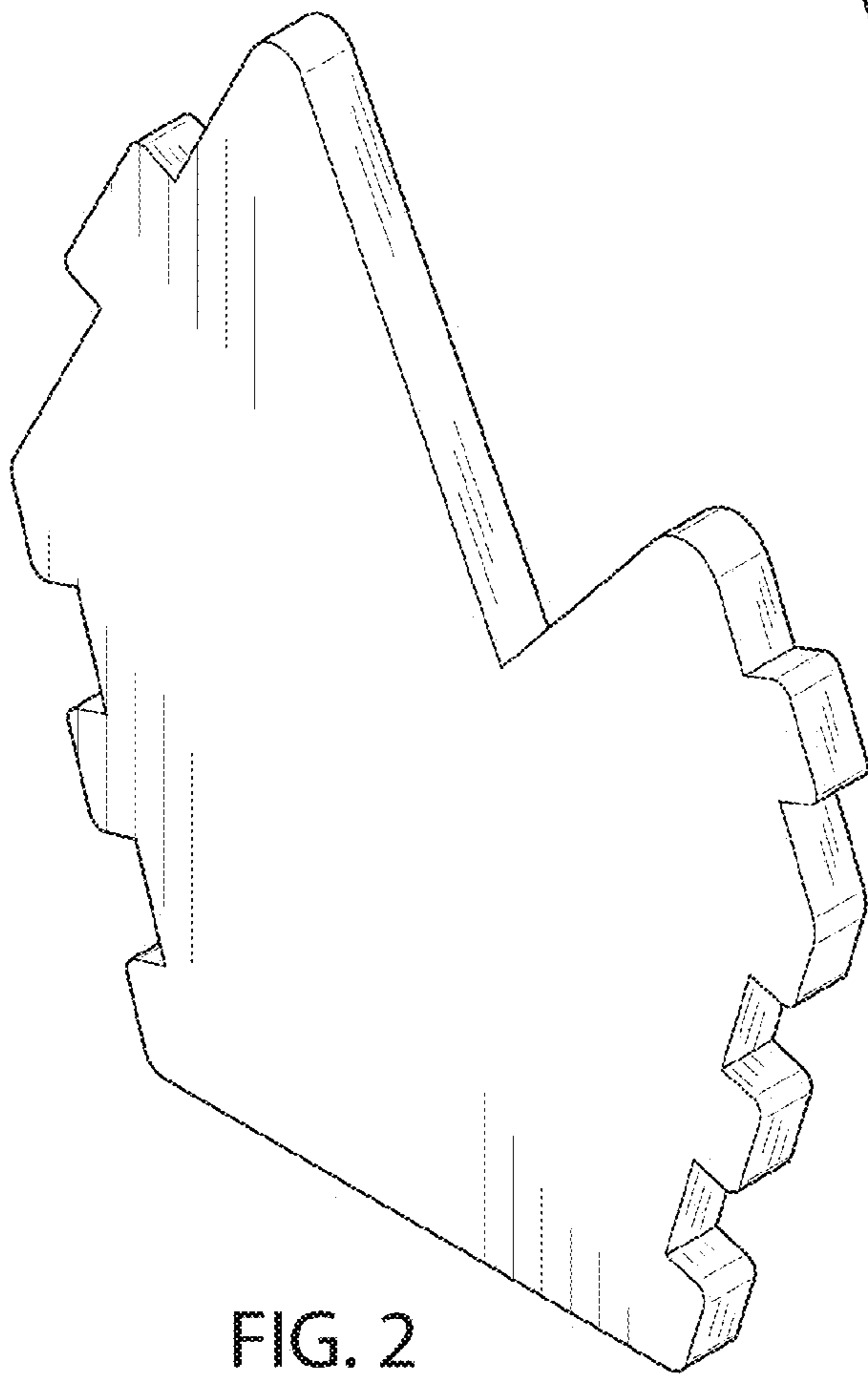


FIG. 2

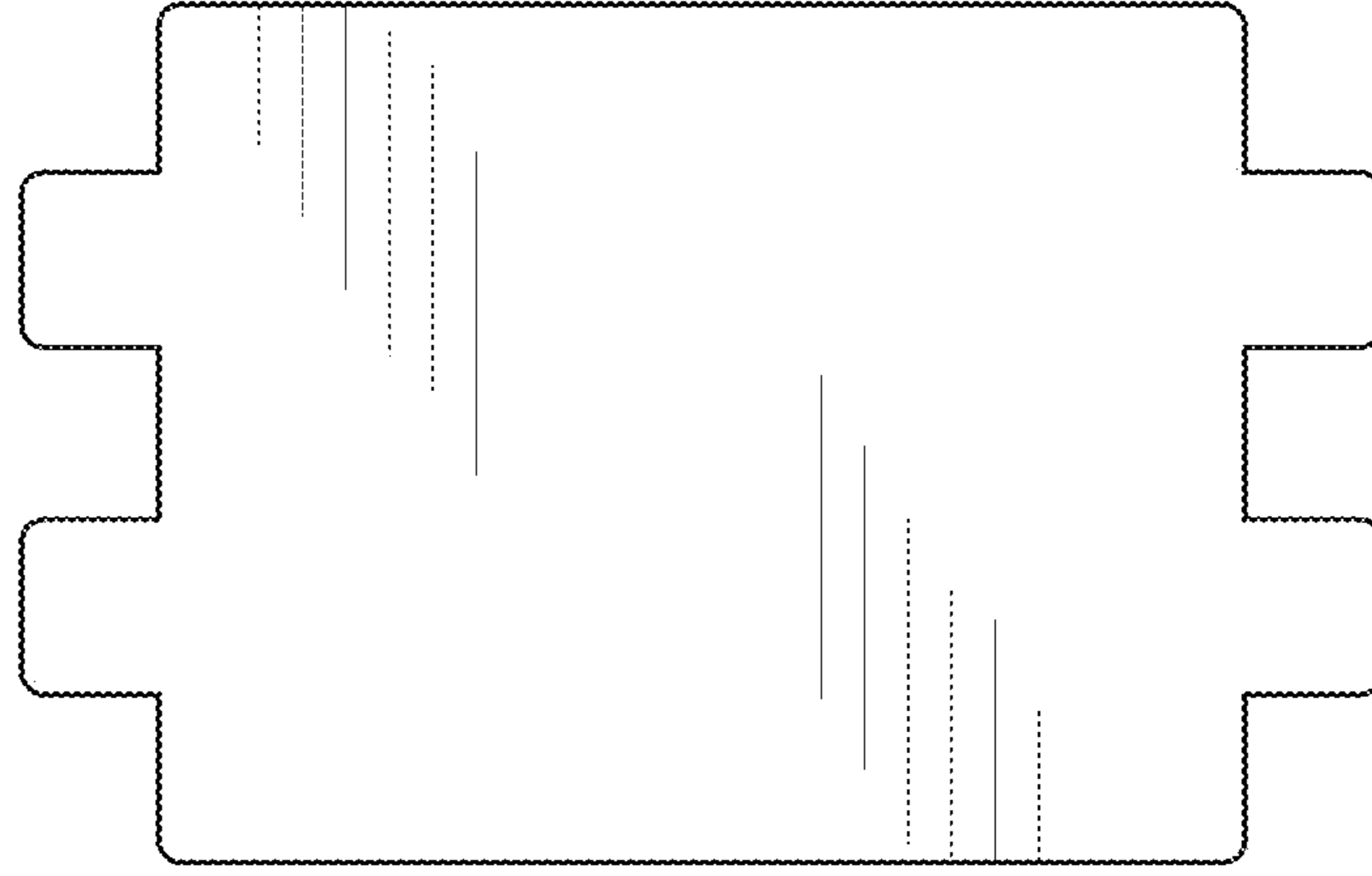


FIG. 3

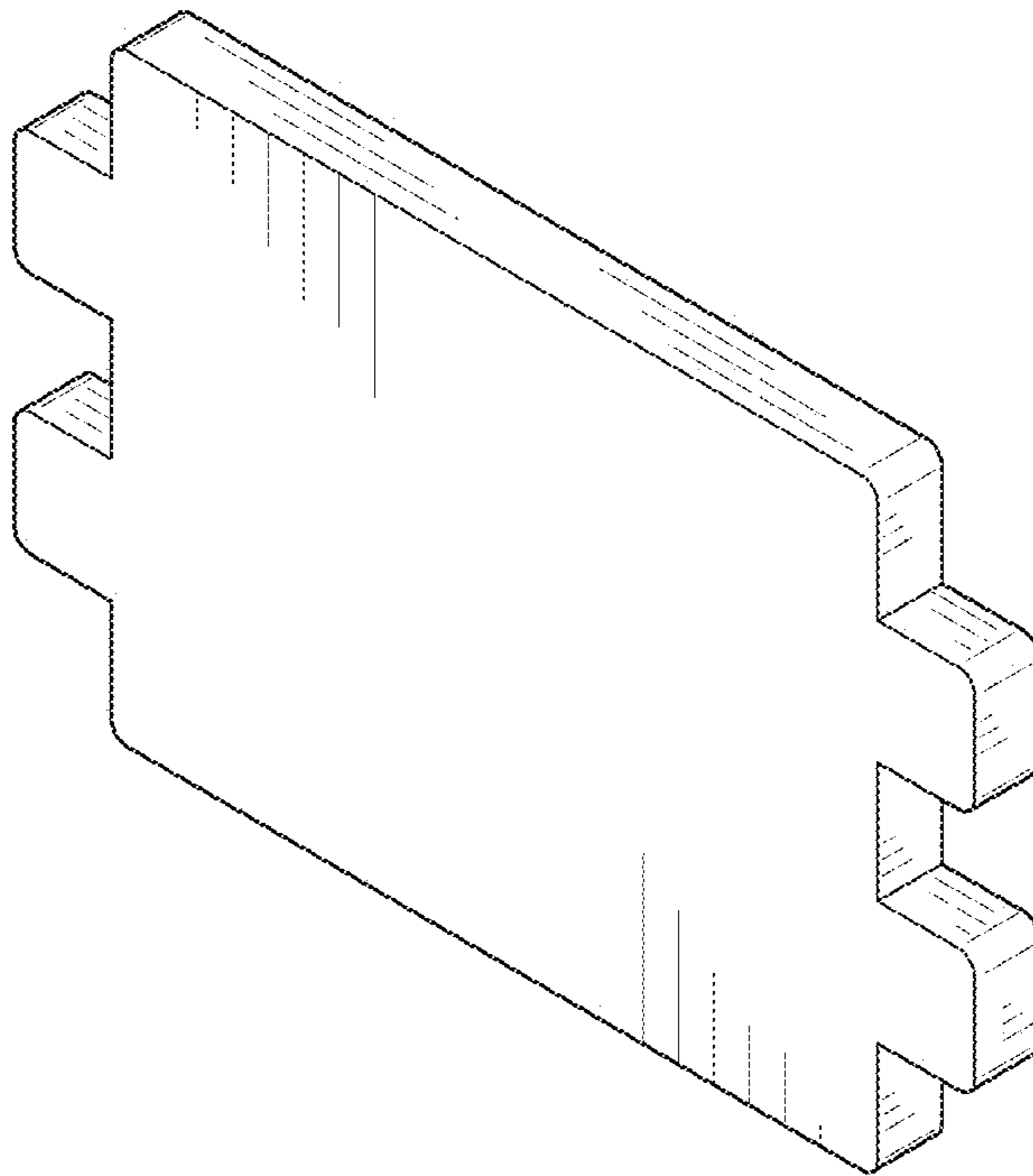


FIG. 4

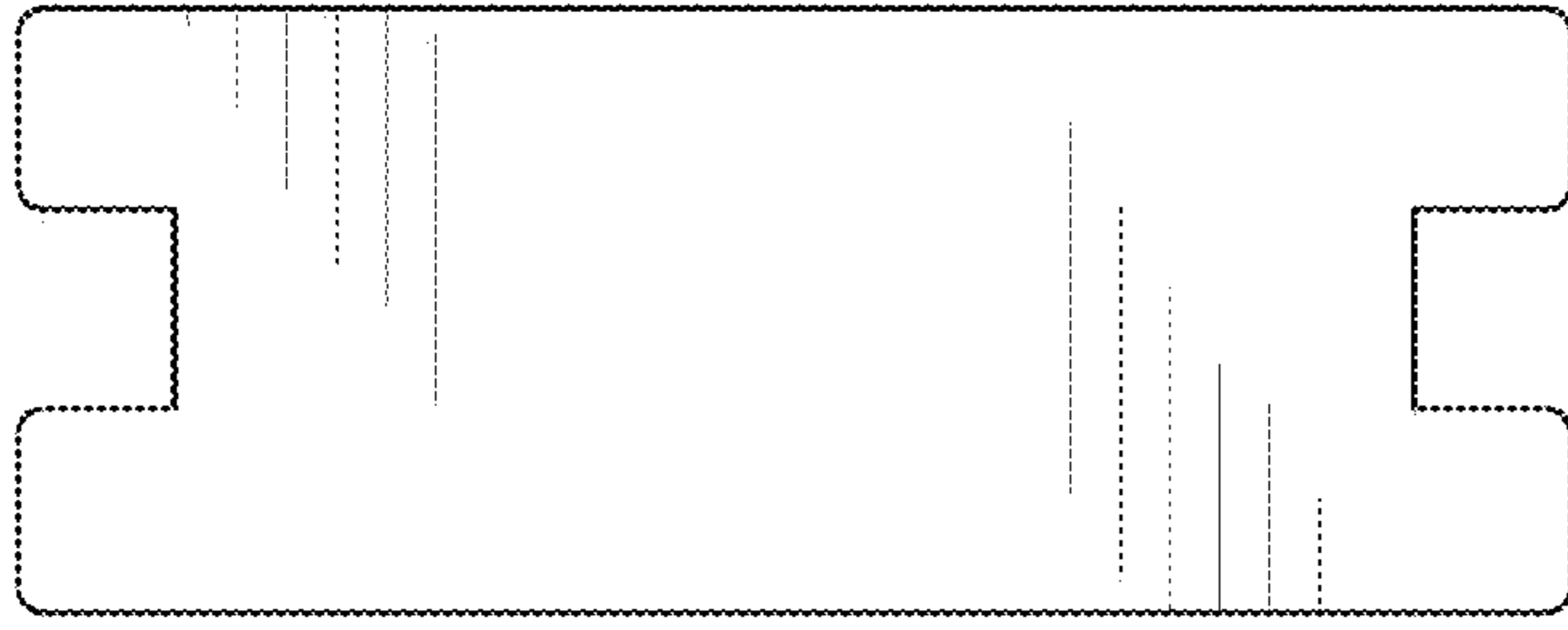


FIG. 5

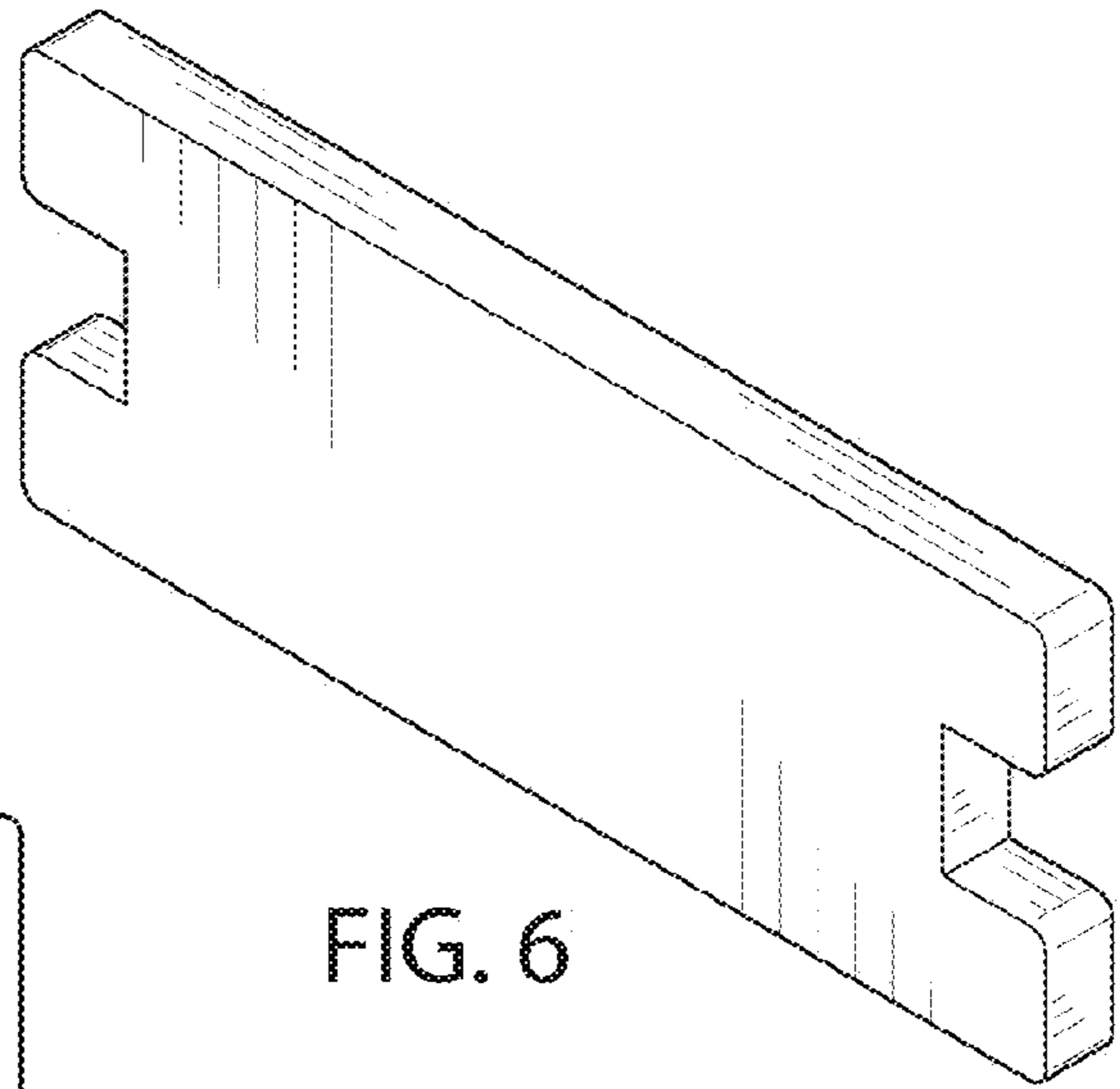


FIG. 6

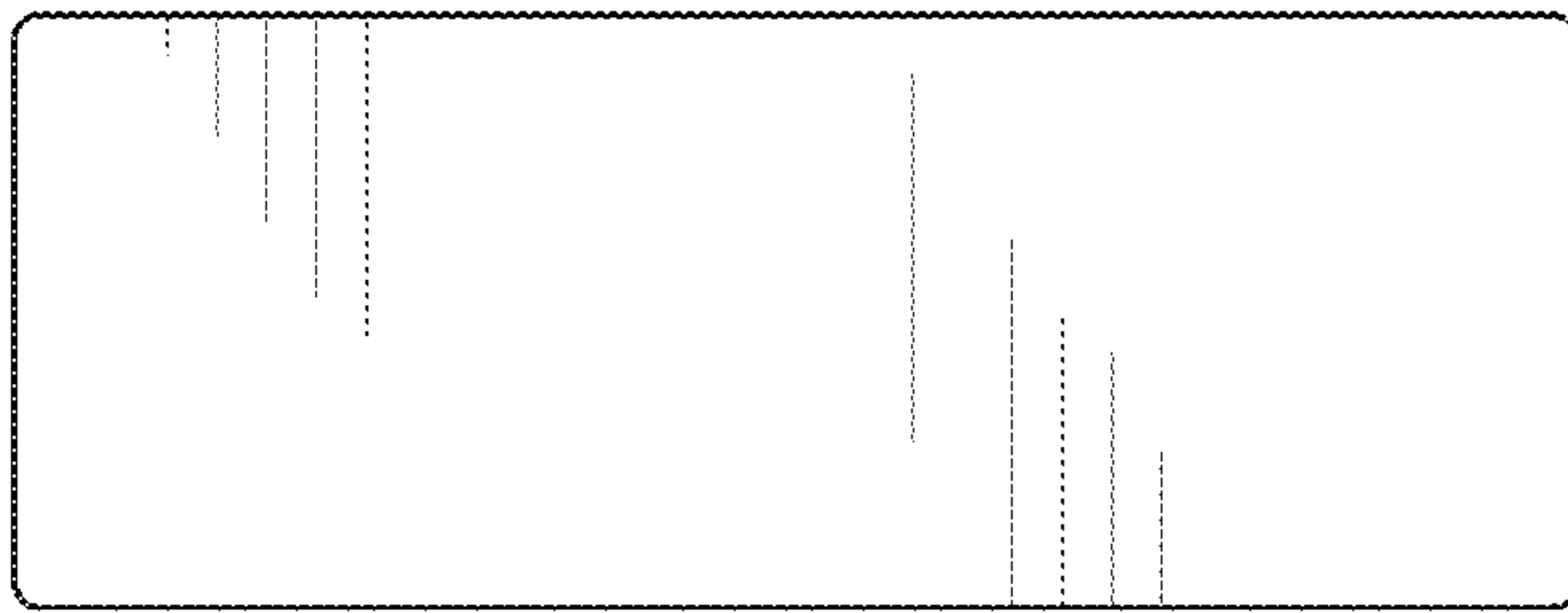


FIG. 7

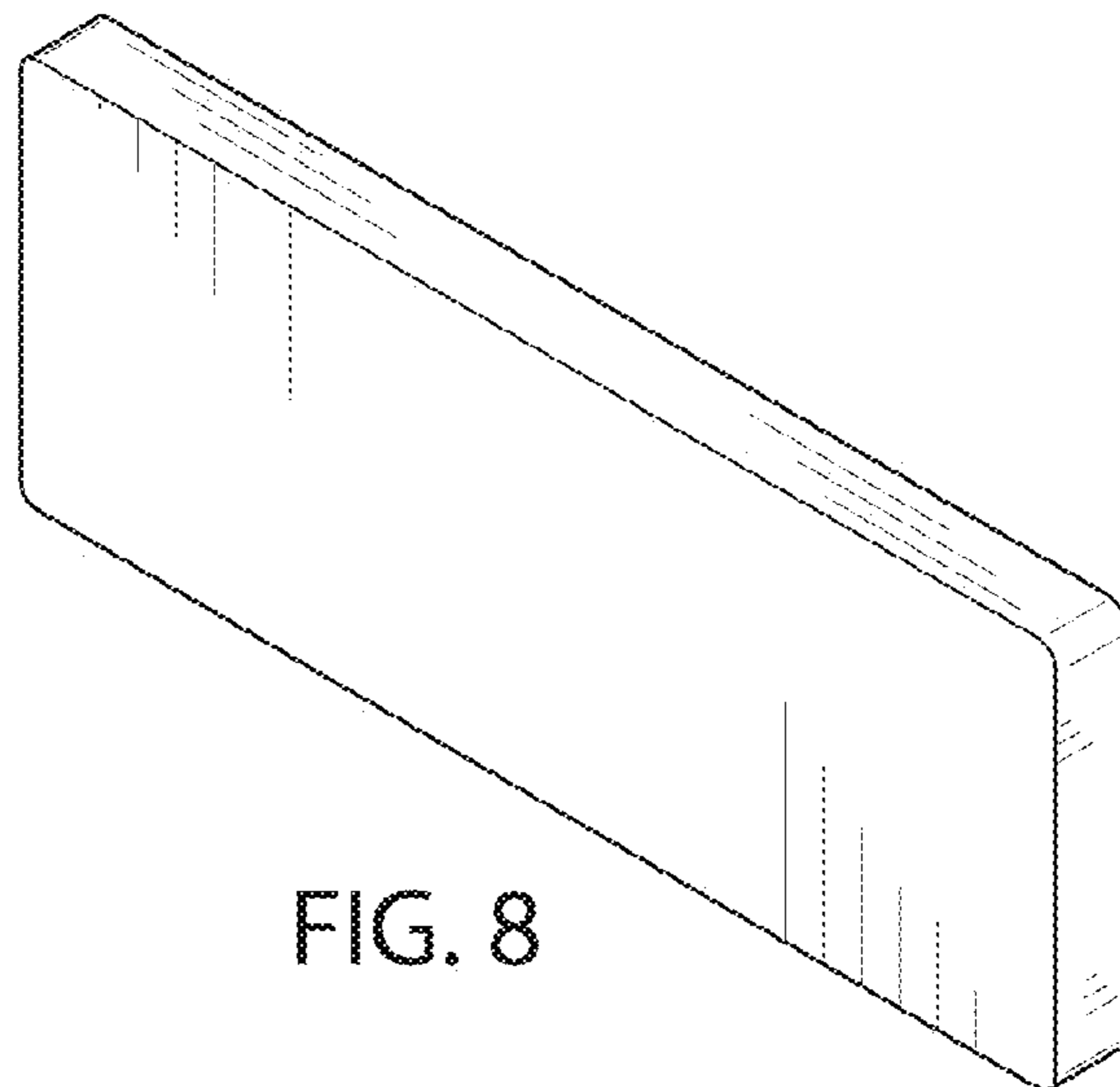


FIG. 8

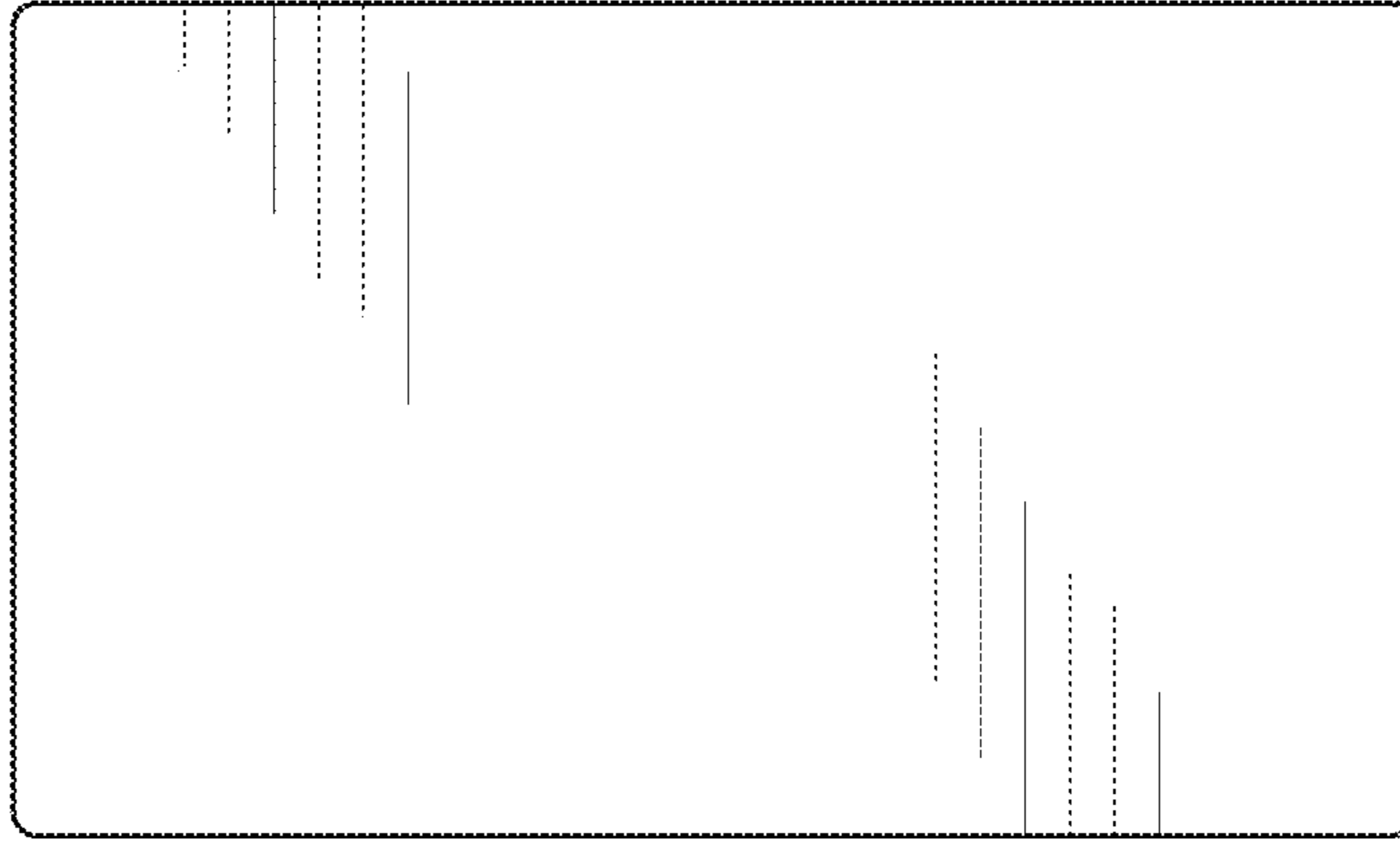


FIG. 9

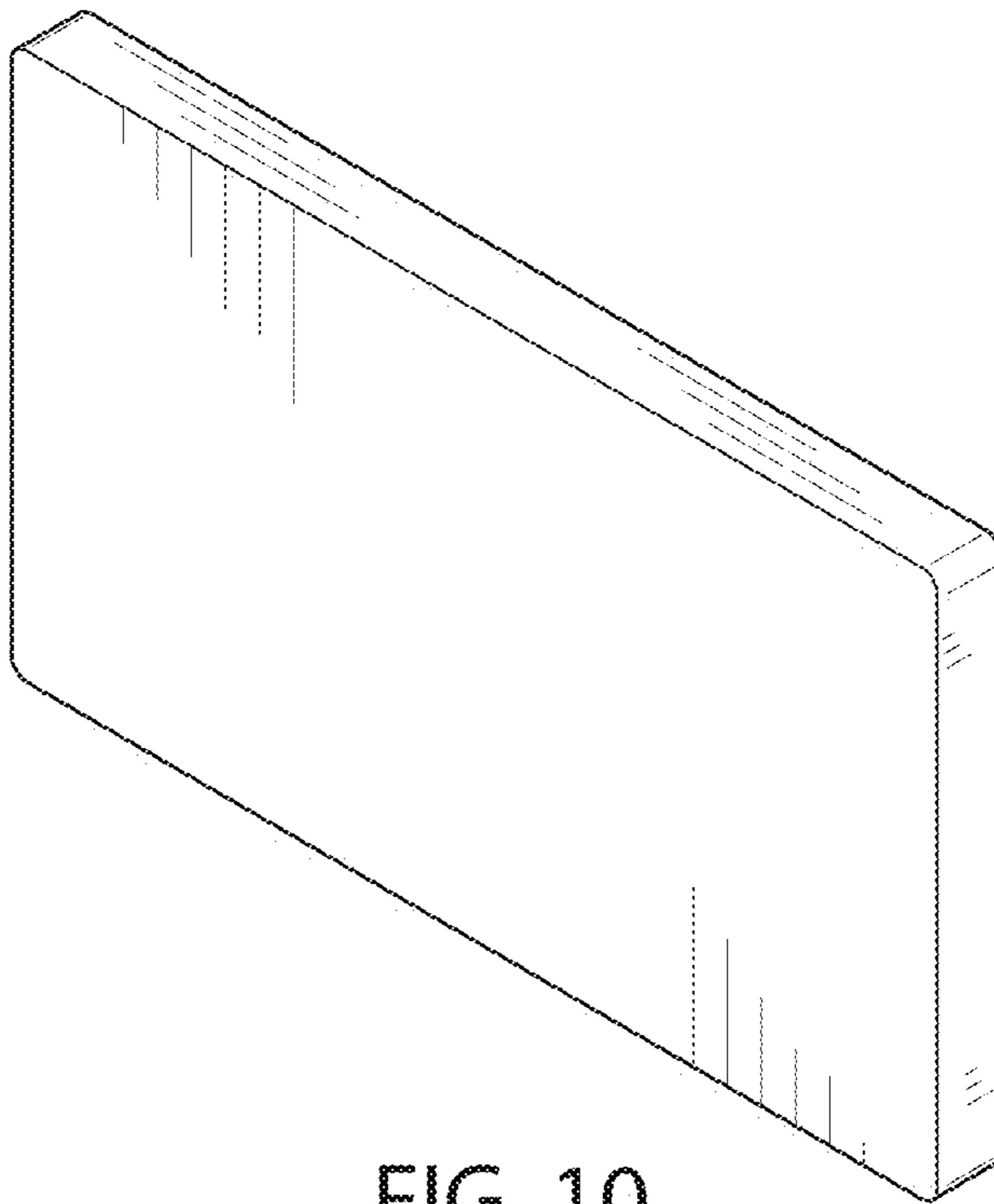


FIG. 10

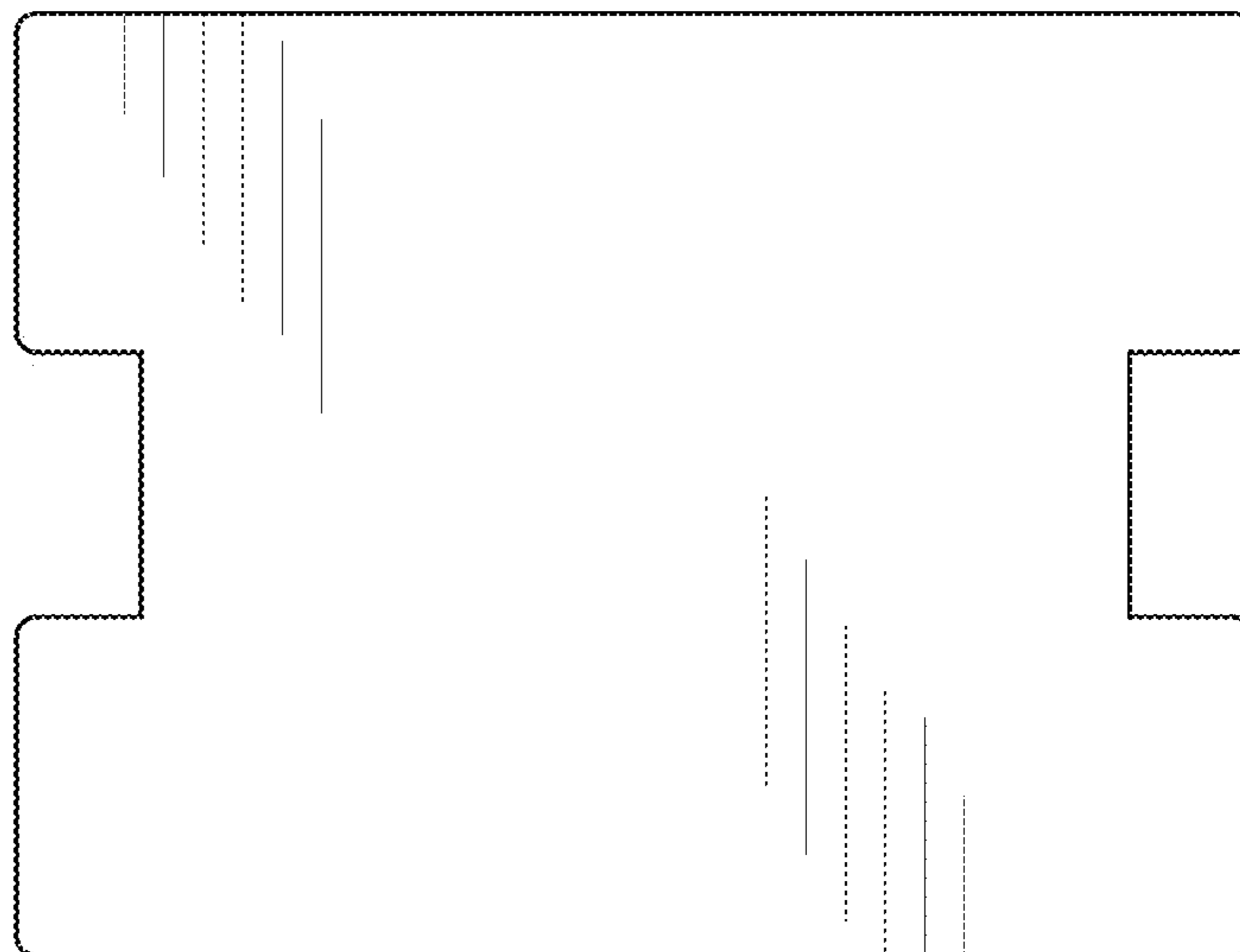


FIG. 11

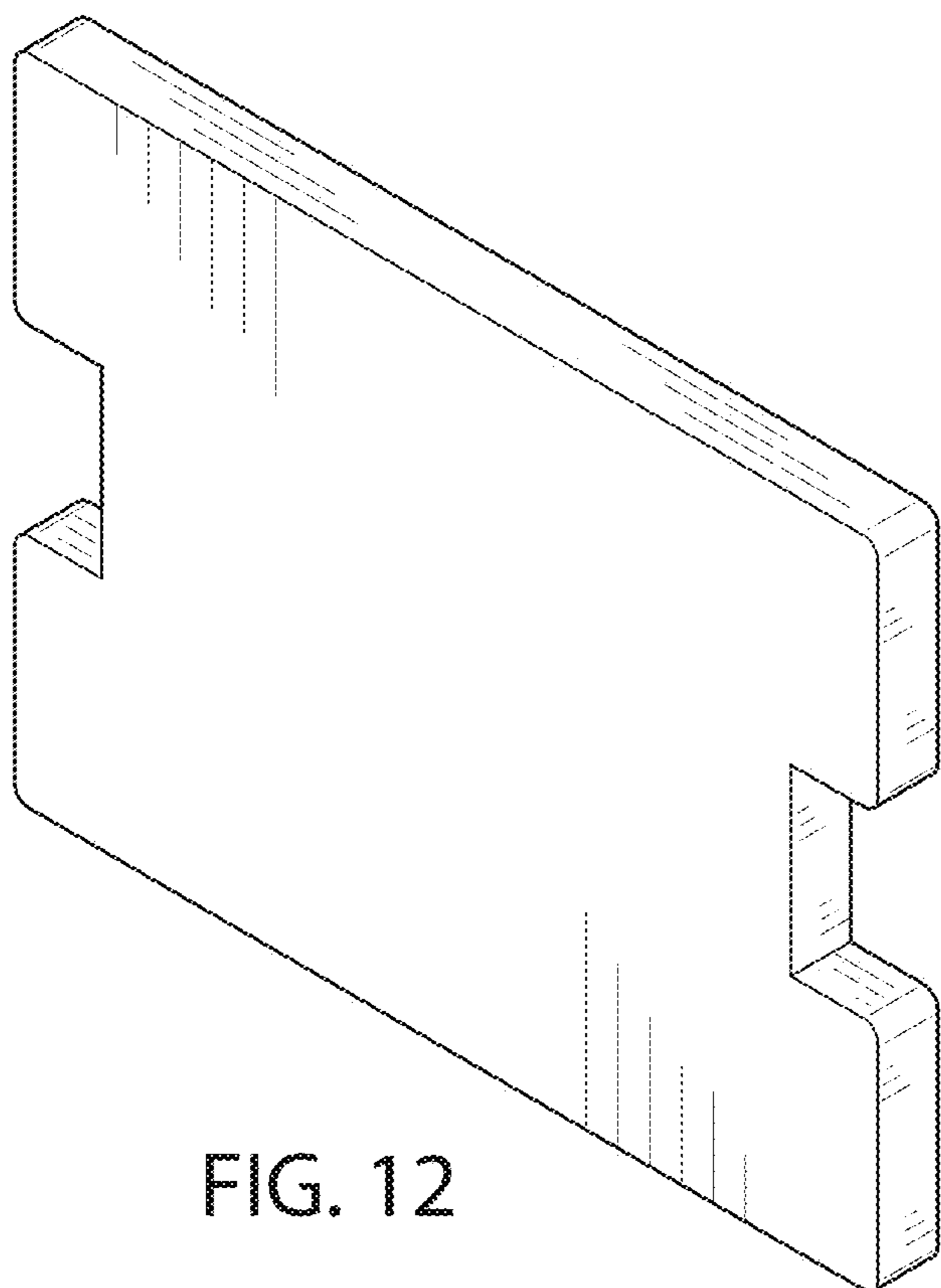


FIG. 12

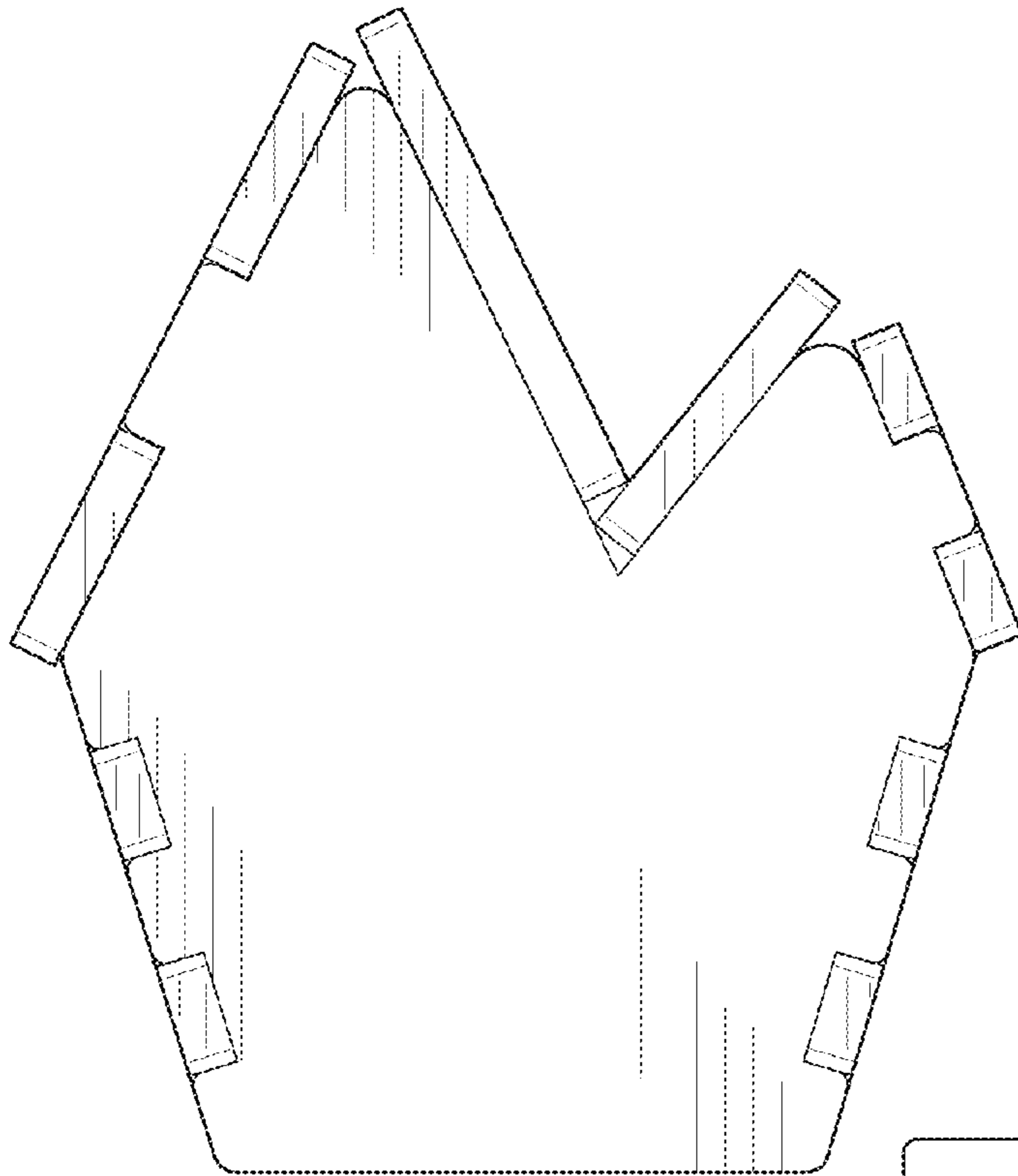


FIG. 13

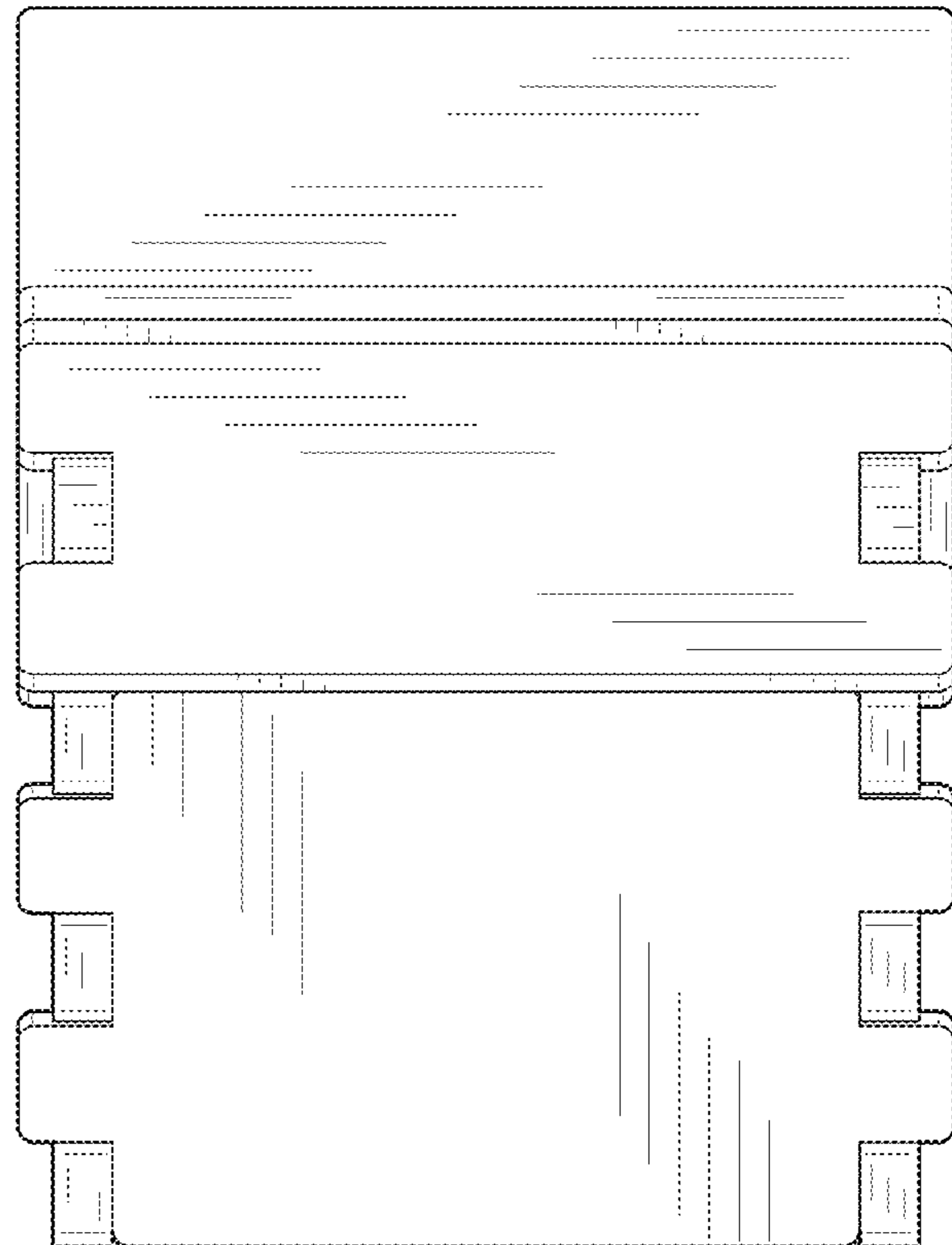


FIG. 14

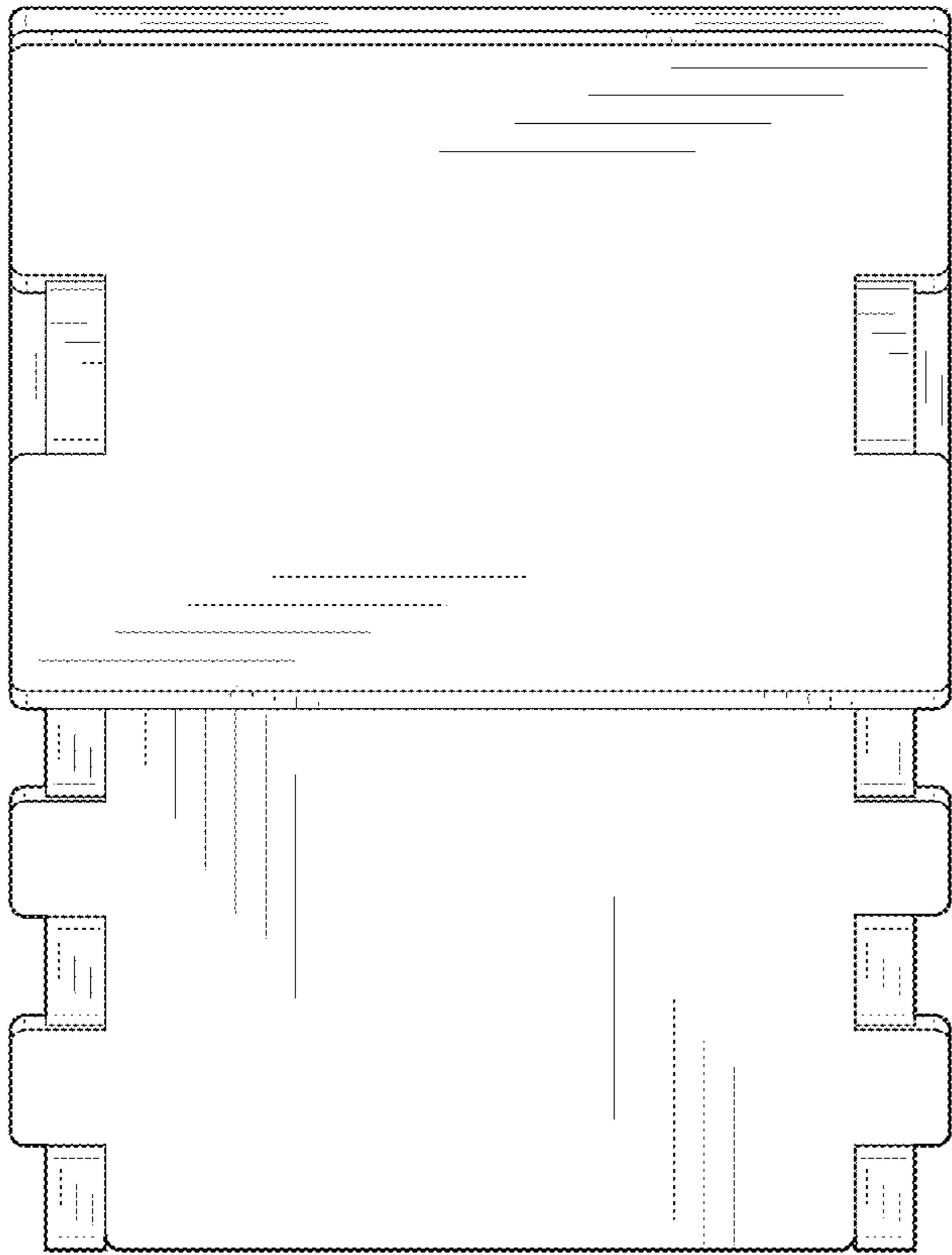


FIG. 15

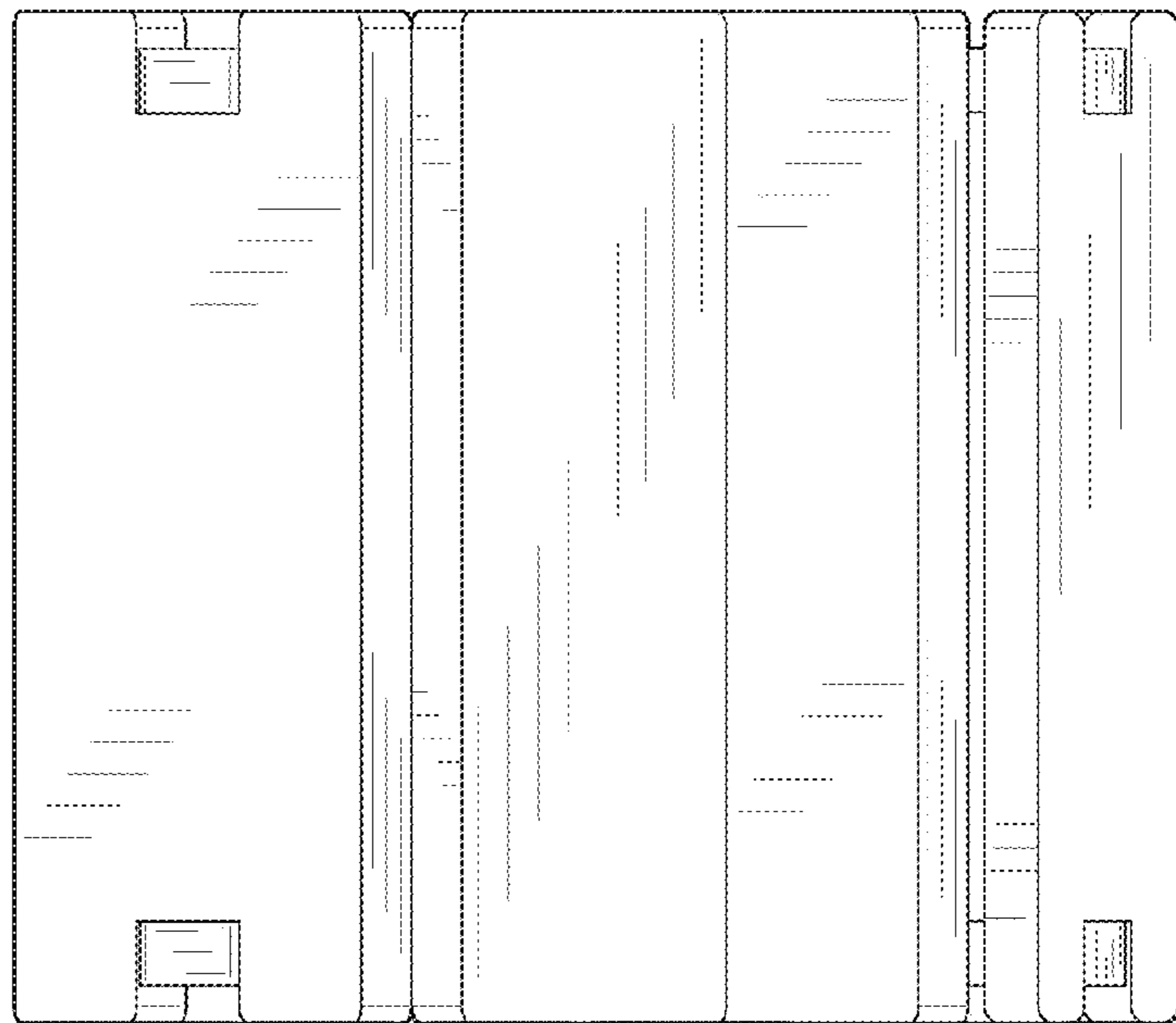


FIG. 16

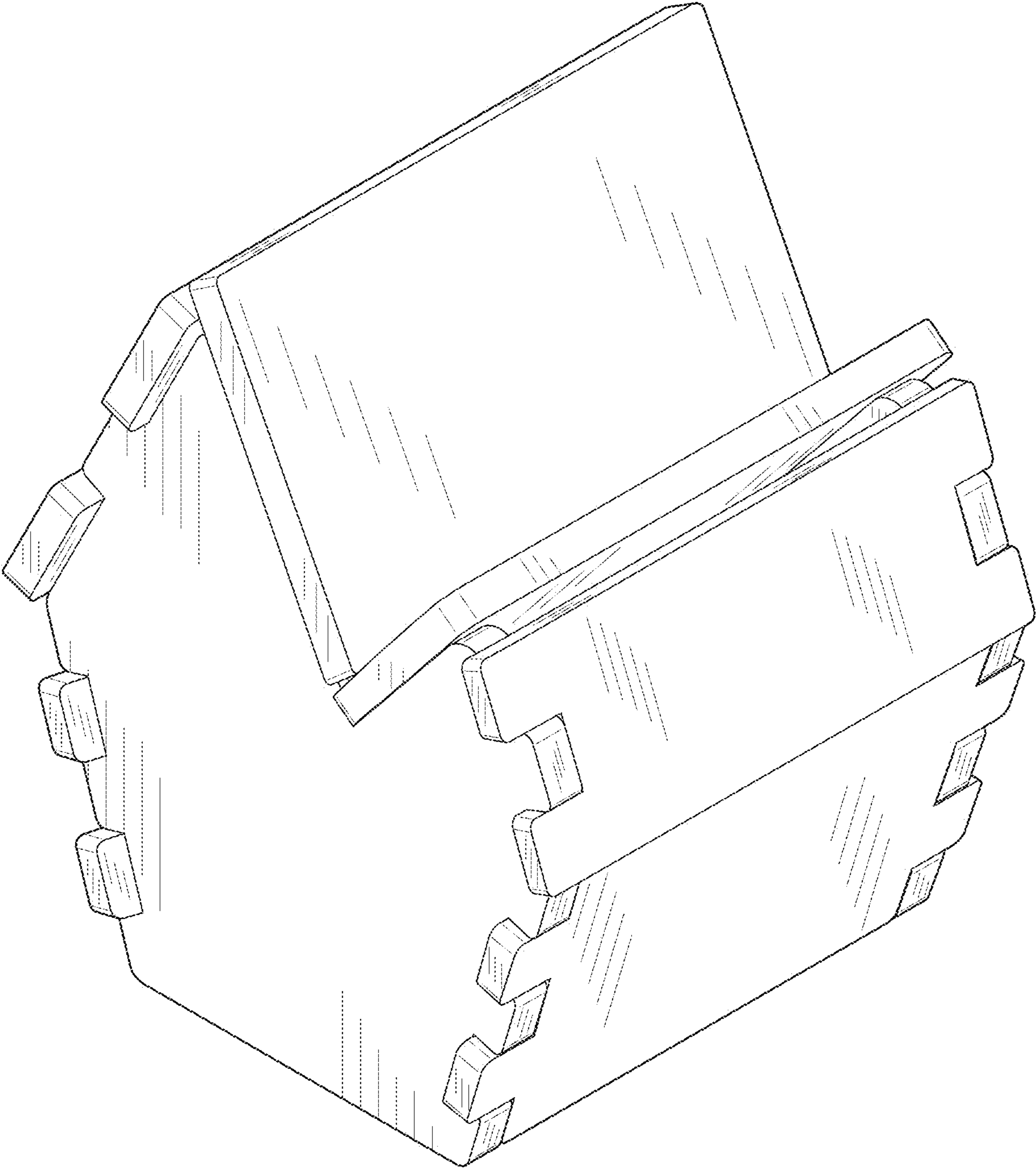


FIG. 17