



US00D953685S

(12) **United States Design Patent** (10) **Patent No.:** **US D953,685 S**
Lee et al. (45) **Date of Patent:** **** May 31, 2022**

(54) **AUTOMATED TELLER MACHINE**

(56) **References Cited**

(71) Applicant: **HYOSUNG TNS INC.**, Seoul (KR)

U.S. PATENT DOCUMENTS

(72) Inventors: **Hee Youn Lee**, Gyeonggi-do (KR); **Jae Min Park**, Gyeonggi-do (KR); **Jae Min Cha**, Gyeonggi-do (KR)

D395,129 S * 6/1998 Johnson D14/130
D402,782 S * 12/1998 Johnson D99/28
D419,277 S * 1/2000 Ishii D99/28
D584,875 S * 1/2009 Bieck D99/28
D592,825 S * 5/2009 Kang D99/28
D596,373 S * 7/2009 Kang D99/28
D596,374 S * 7/2009 Kang D99/28
D625,305 S * 10/2010 Bleck D14/307
D629,585 S * 12/2010 Bleck D99/28
D645,223 S * 9/2011 Bleck D99/28
D674,985 S * 1/2013 Lee D99/28
D716,515 S * 10/2014 Cha D99/28

(73) Assignee: **HYOSUNG TNS INC.**, Seoul (KR)

(**) Term: **15 Years**

(21) Appl. No.: **29/757,319**

(22) Filed: **Nov. 5, 2020**

(Continued)

(30) **Foreign Application Priority Data**

OTHER PUBLICATIONS

May 7, 2020 (KR) 30-2020-0019896

ATM Machine Electronic Manufacturing, https://www.3cems.com/atm-machine-electronic-manufacturing_p37.html, copyright 2018. (Year: 2018).*

(51) **LOC (13) Cl.** **99-00**

(52) **U.S. Cl.**
USPC **D99/28**

Primary Examiner — Elizabeth J Oswecki

(58) **Field of Classification Search**

(74) *Attorney, Agent, or Firm* — Bacon & Thomas, PLLC

USPC D99/28, 34, 35, 36, 43, 99;
D14/300–302, 305, 307, 900–902;
D18/3.1–3.3, 4.1–4.6, 12.1–12.3;
D21/324, 325, 329, 369; 101/66;
109/1 R, 1 V, 2, 23, 24.1, 25, 58, 58.5,
109/66; 446/8–13; 705/16, 17, 18, 42,
705/43, 44, 45; 235/51, 379, 380, 381,
235/382, 382.5, 386; 206/0.8, 0.81,
206/0.185, 0.82, 0.84

(57) **CLAIM**

The ornamental design for an automated teller machine, as shown and described.

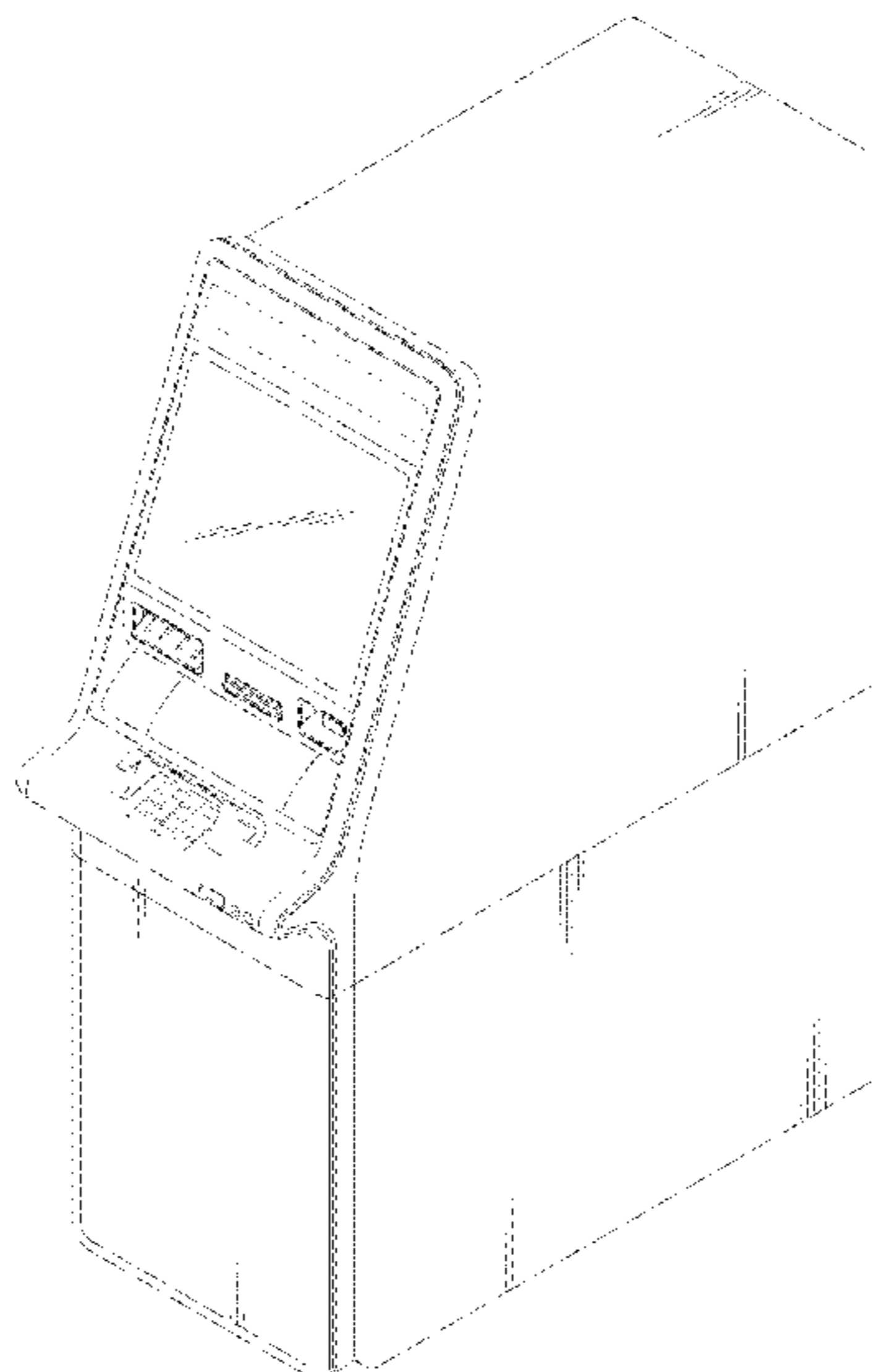
CPC .. G06Q 20/10; G06Q 20/108; G06Q 20/1085;
G06Q 20/18; G07D 1/00; G07D 1/02;
G07D 1/04; G07D 1/06; G07D 11/00;
G07D 9/002; G07D 9/04; G07F 19/20;
G07F 19/201; G07F 19/202; G07F
19/203; G07F 19/204; G07F 19/205;
G07F 19/21; G07F 19/00; G07F 7/04;
G07F 5/00; G07F 1/00; E05G 7/001;
E05G 1/006; A63H 3/00; A63H 3/005

DESCRIPTION

FIG. 1 is a perspective view of an automated teller machine, showing our new design;
FIG. 2 is a front elevation view thereof;
FIG. 3 is a rear elevation view thereof;
FIG. 4 is a left side elevation view thereof;
FIG. 5 is a right side elevation view thereof;
FIG. 6 is a top plan view thereof; and,
FIG. 7 is a bottom plan view thereof.
The broken lines represent unclaimed subject matter and form no part of the claimed design.

See application file for complete search history.

1 Claim, 7 Drawing Sheets



(56)

References Cited

U.S. PATENT DOCUMENTS

D769,570	S	*	10/2016	Kraft	D99/28
D769,571	S	*	10/2016	Lee	D99/28
D769,572	S	*	10/2016	Park	D99/28
D787,774	S	*	5/2017	Shin	D99/28
D792,049	S	*	7/2017	Oh	D99/28
D826,514	S	*	8/2018	Park	D99/28
D833,704	S	*	11/2018	Kraft	D99/28
D853,077	S	*	7/2019	Ku	D99/28
D880,100	S	*	3/2020	Nelson	D99/28
D883,605	S	*	5/2020	Lee	D99/28
D888,363	S	*	6/2020	Cha	D99/28
D924,534	S	*	7/2021	Lee	D99/28
2004/0262379	A1	*	12/2004	Gomes	G07F 17/248 235/379
2008/0296365	A1	*	12/2008	Schliebe	G07F 19/2055 235/379
2009/0057398	A1	*	3/2009	Douglass	G07F 19/00 235/379

* cited by examiner

Fig 1

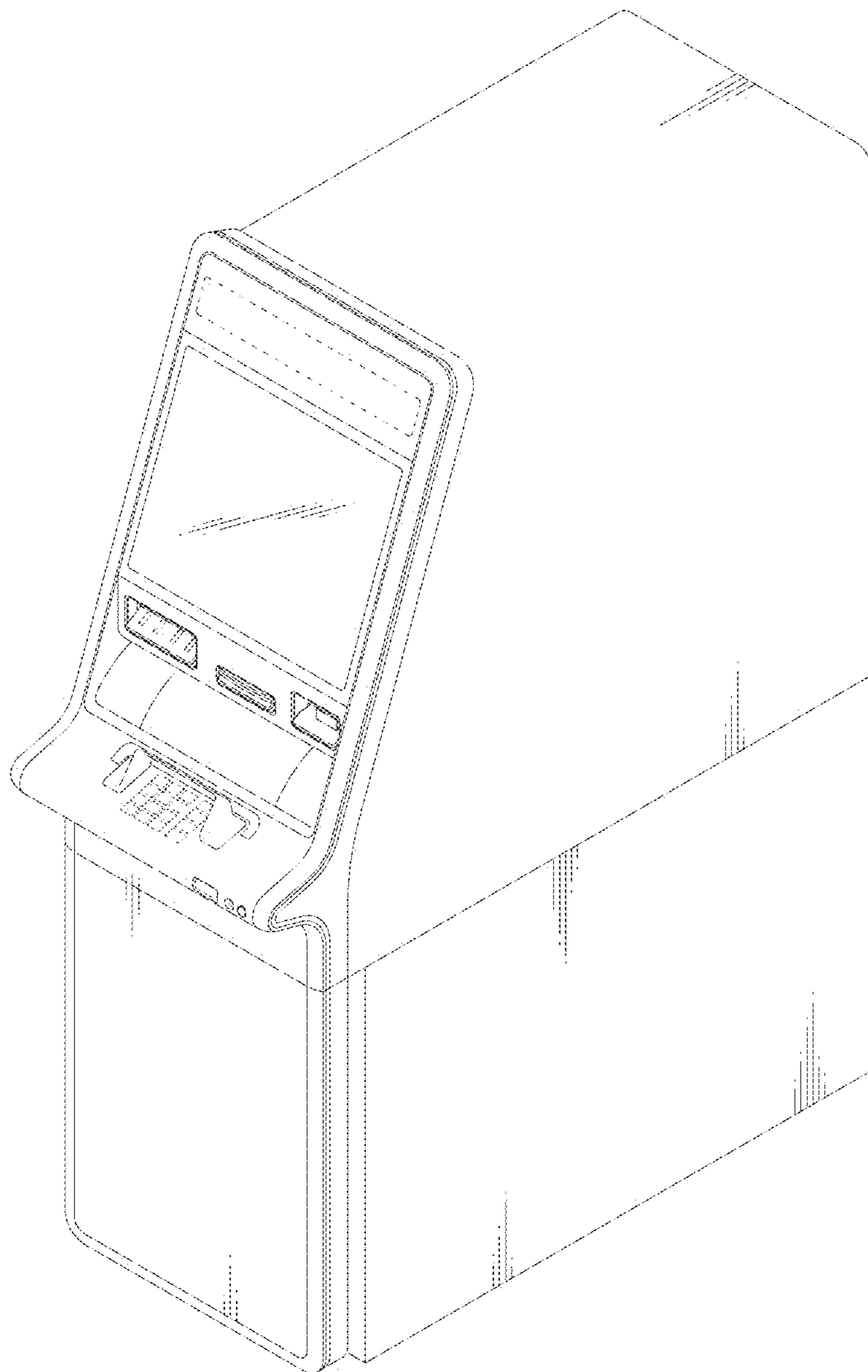


Fig 2

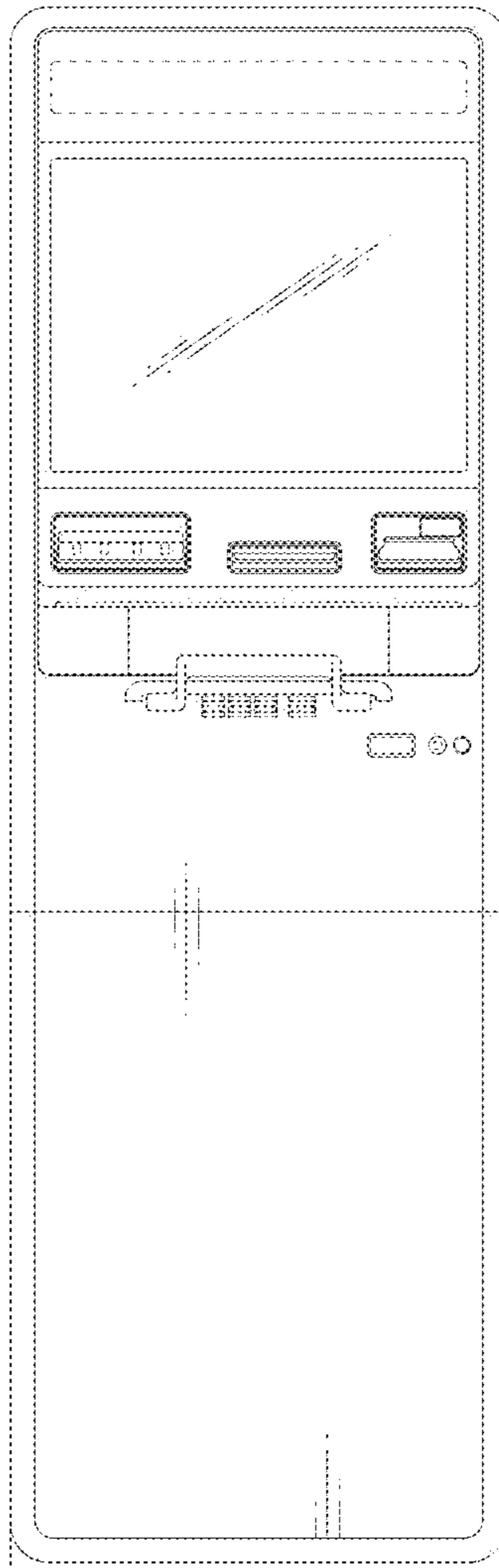


Fig 3

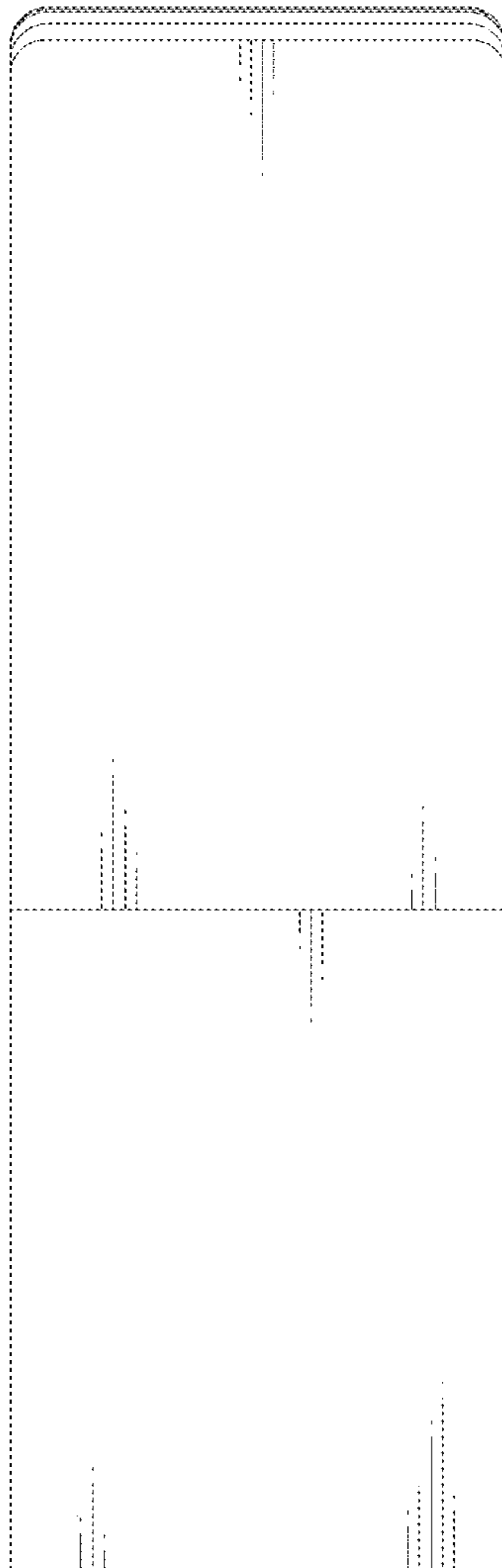


Fig 4

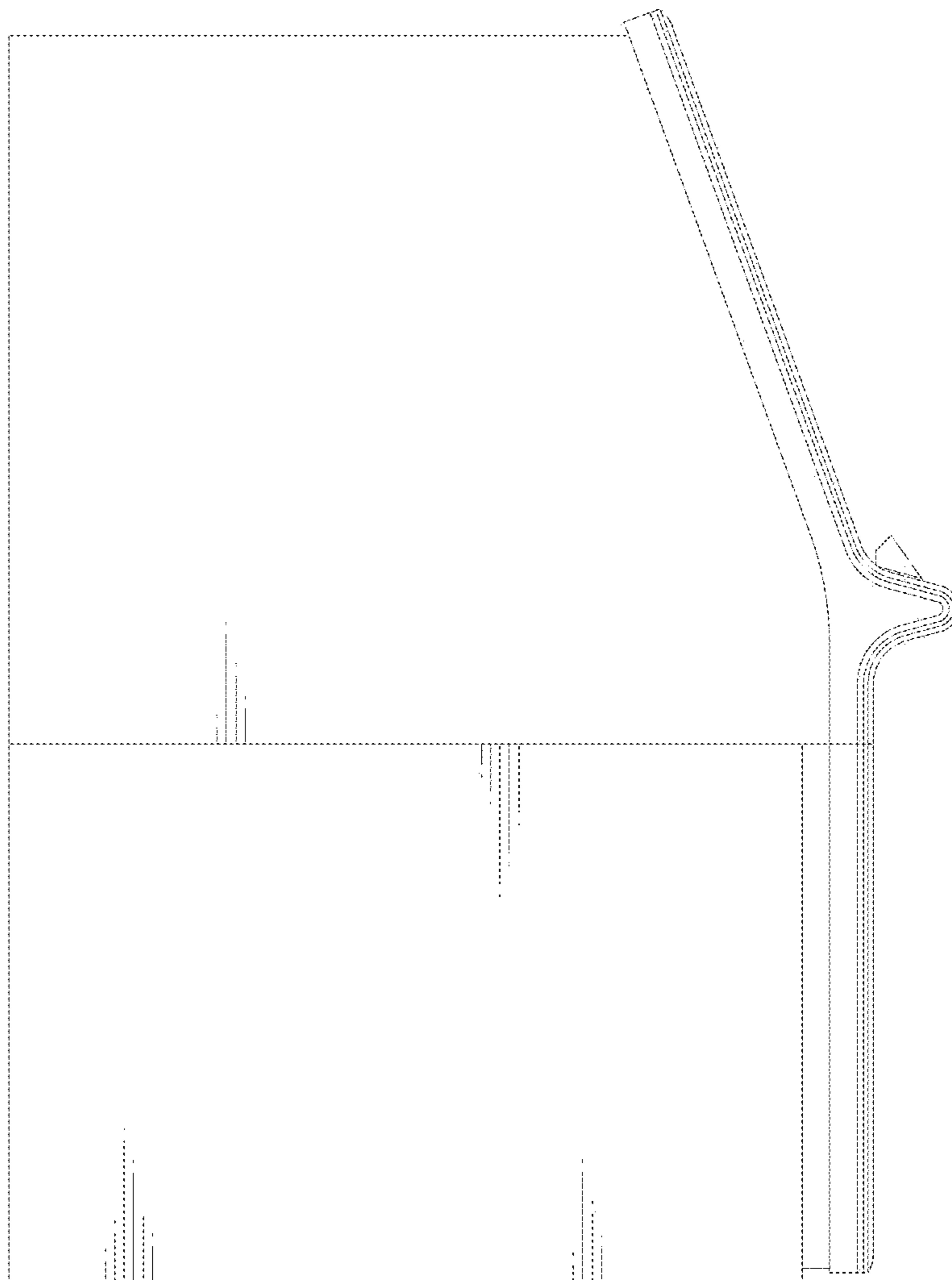


Fig 5

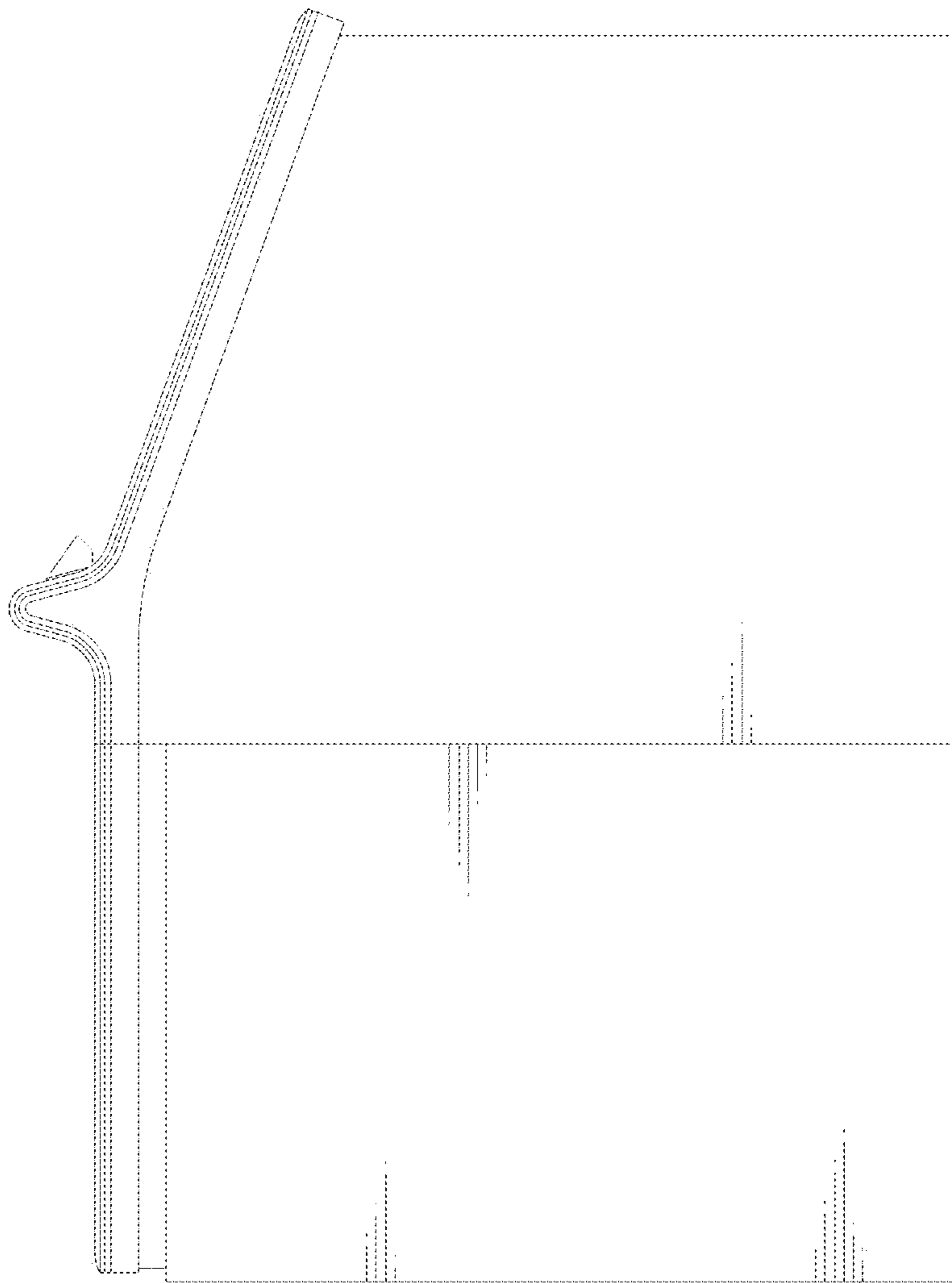


Fig 6

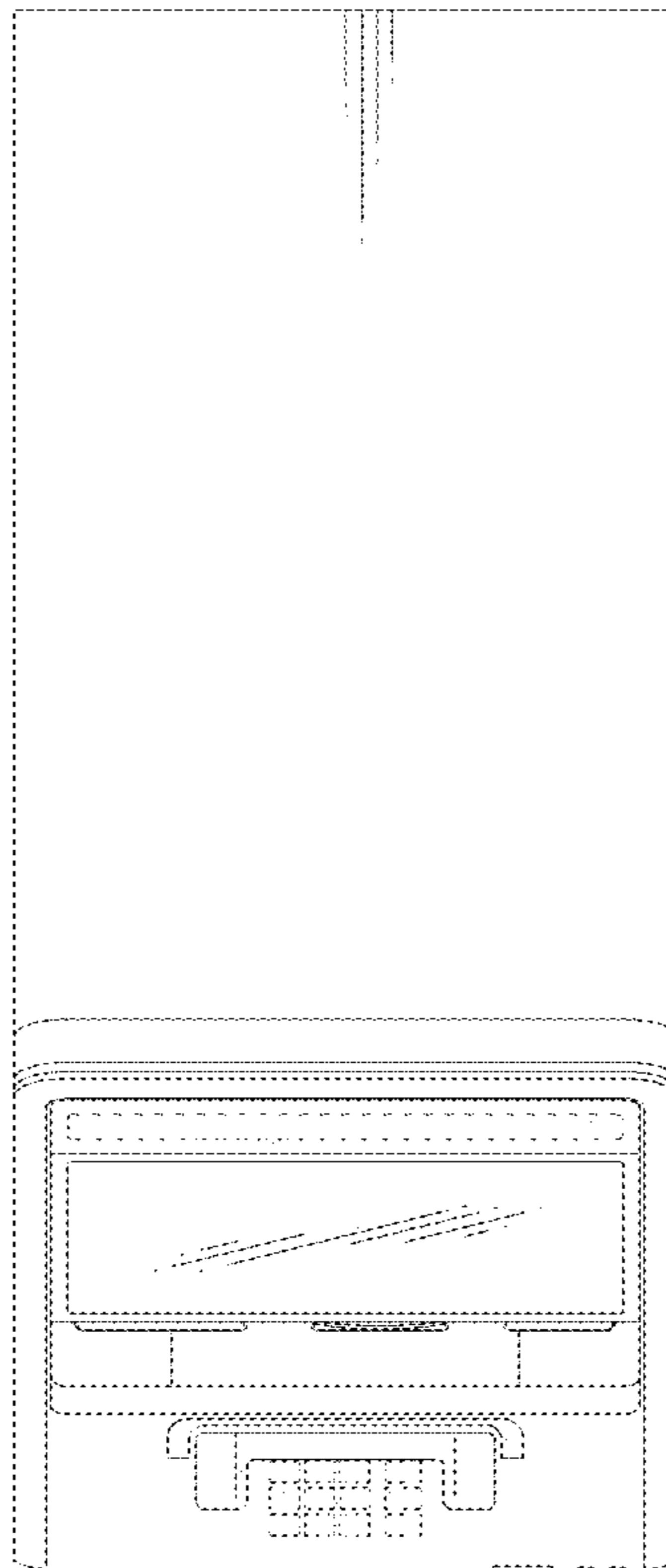


Fig 7

