



US00D953682S

(12) **United States Design Patent**
Ikeuchi et al.

(10) **Patent No.:** **US D953,682 S**

(45) **Date of Patent:** **** May 31, 2022**

(54) **OPERATION DEVICE FOR CRANE**

13/02; A63F 13/12; B60K 37/00; B60K
37/06; B60K 26/00; B66C 13/40; B66C
13/44; B66C 13/16; B66C 13/18; B66C
13/42

(71) Applicant: **TADANO LTD.**, Takamatsu (JP)

(72) Inventors: **Nanami Ikeuchi**, Takamatsu (JP);
Kazue Inoshita, Takamatsu (JP);
Makoto Tsuji, Takamatsu (JP);
Kazunori Koishi, Tokyo (JP); **Mami
Nagata**, Takamatsu (JP)

See application file for complete search history.

(73) Assignee: **TADANO LTD.**, Takamatsu (JP)

(**) Term: **15 Years**

(21) Appl. No.: **29/752,604**

(22) Filed: **Sep. 28, 2020**

Related U.S. Application Data

(62) Division of application No. 29/661,112, filed on Aug.
24, 2018, now Pat. No. Des. 916,418.

(30) **Foreign Application Priority Data**

Feb. 28, 2018 (JP) 2018-004208
Feb. 28, 2018 (JP) 2018-004216
Feb. 28, 2018 (JP) 2018-004217
Feb. 28, 2018 (JP) 2018-004219

(51) **LOC (13) Cl.** **12-05**

(52) **U.S. Cl.**
USPC **D34/35**; D15/28; D13/164

(58) **Field of Classification Search**
USPC D14/400–418, 426–431, 454–455, 203.3,
D14/218, 300, 356, 358, 383, 388, 399,
D14/432; D21/324, 328, 331, 333, 566;
D13/162–164, 168–172; D15/19, 28, 30;
D34/28, 33, 35; D12/174, 192; D10/78,
D10/104.1, 121
CPC .. A63F 9/02; A63F 9/24; A63F 9/0291; A63F
9/0252; A63F 13/00; A63F 13/23; A63F
13/24; A63F 13/26; A63F 13/98; A63F

(56) **References Cited**

U.S. PATENT DOCUMENTS

D283,718 S * 5/1986 Kondo D21/566
D361,288 S * 8/1995 Chandwick D10/78
D363,092 S * 10/1995 Hung D14/412
D394,855 S * 6/1998 Ahearn D14/429
D399,774 S * 10/1998 Noble D10/78
D444,091 S * 6/2001 Furnidge D10/78
D544,485 S * 6/2007 Chen D14/428
D558,624 S * 1/2008 Perez D10/104.1
D594,361 S * 6/2009 Miller D10/104.1
D659,343 S * 5/2012 Saitou D34/35
D659,939 S * 5/2012 Saitou D34/35
D668,567 S * 10/2012 Dunkin D10/78
D680,011 S * 4/2013 Chen D10/97

(Continued)

Primary Examiner — Rebekah A Caruso

(74) *Attorney, Agent, or Firm* — Manabu Kanesaka

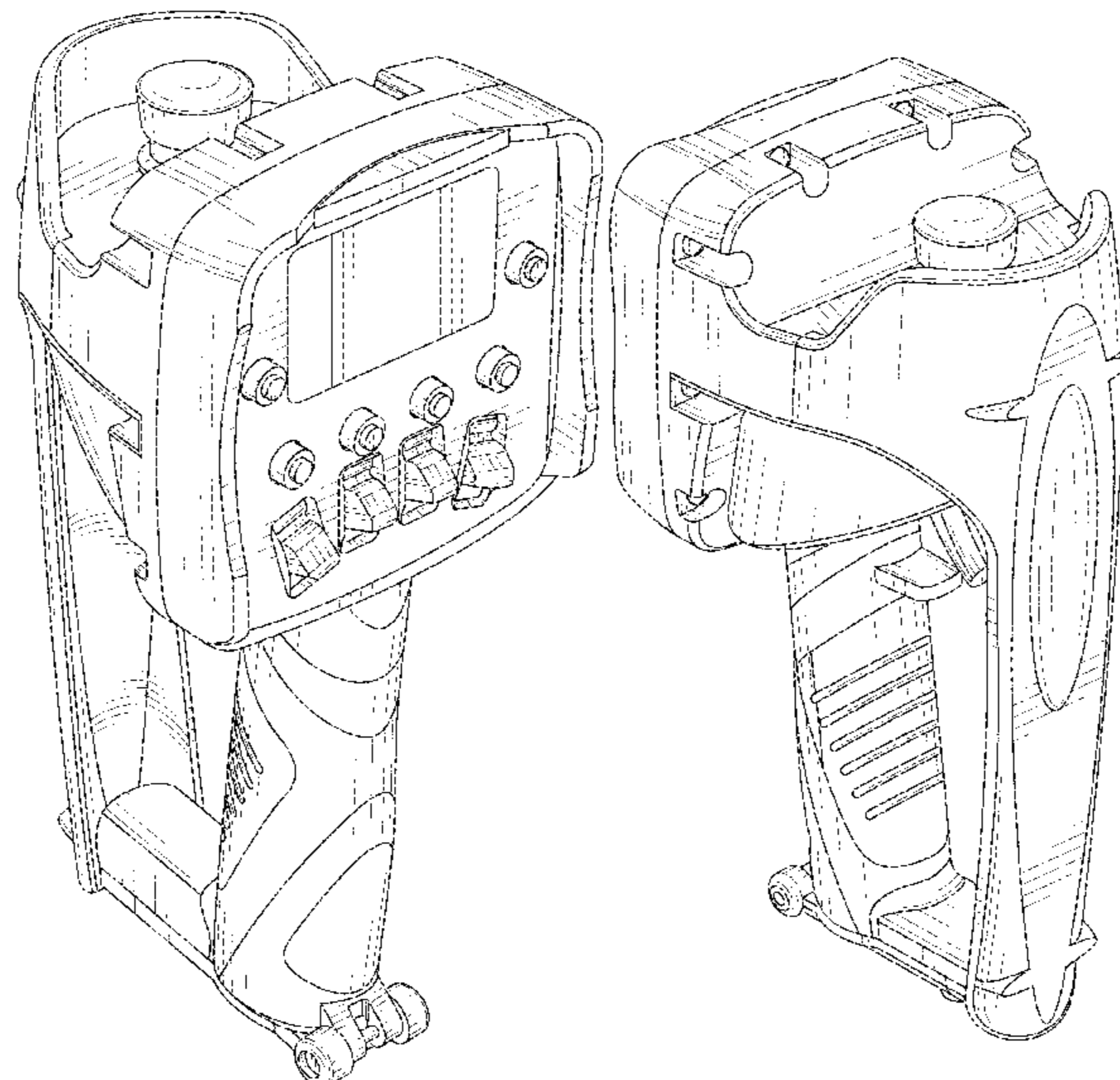
(57) **CLAIM**

The ornamental design for an operation device for crane, as
shown and described.

DESCRIPTION

FIG. 1 is a first perspective view of an operation device for
crane showing our new design;
FIG. 2 is a second perspective view thereof;
FIG. 3 is a front view thereof;
FIG. 4 is a rear view thereof;
FIG. 5 is a right side view thereof;
FIG. 6 is a left side view thereof;
FIG. 7 is a top view thereof; and,
FIG. 8 is a bottom view thereof.

1 Claim, 7 Drawing Sheets



(56)

References Cited

U.S. PATENT DOCUMENTS

D727,179 S * 4/2015 Stancato D10/46
D727,756 S * 4/2015 Stancato D10/46
D763,261 S * 8/2016 Choi D14/426
D886,652 S * 6/2020 Morris D10/78
D916,418 S * 4/2021 Ikeuchi D34/35
D918,210 S * 5/2021 Hackett D14/426
D935,903 S * 11/2021 Hattori D10/47
D939,367 S * 12/2021 Ruhland D10/70
2002/0144970 A1 * 10/2002 Seith B66C 1/447
212/285
2016/0075538 A1 * 3/2016 Johansson B66C 13/18
74/491
2018/0148302 A1 * 5/2018 Hayashi B66C 13/44
2018/0148303 A1 * 5/2018 Hayashi B66C 13/44
2018/0282131 A1 * 10/2018 Hayashi B66C 23/70
2019/0031475 A1 * 1/2019 Hayashi B66C 23/78

* cited by examiner

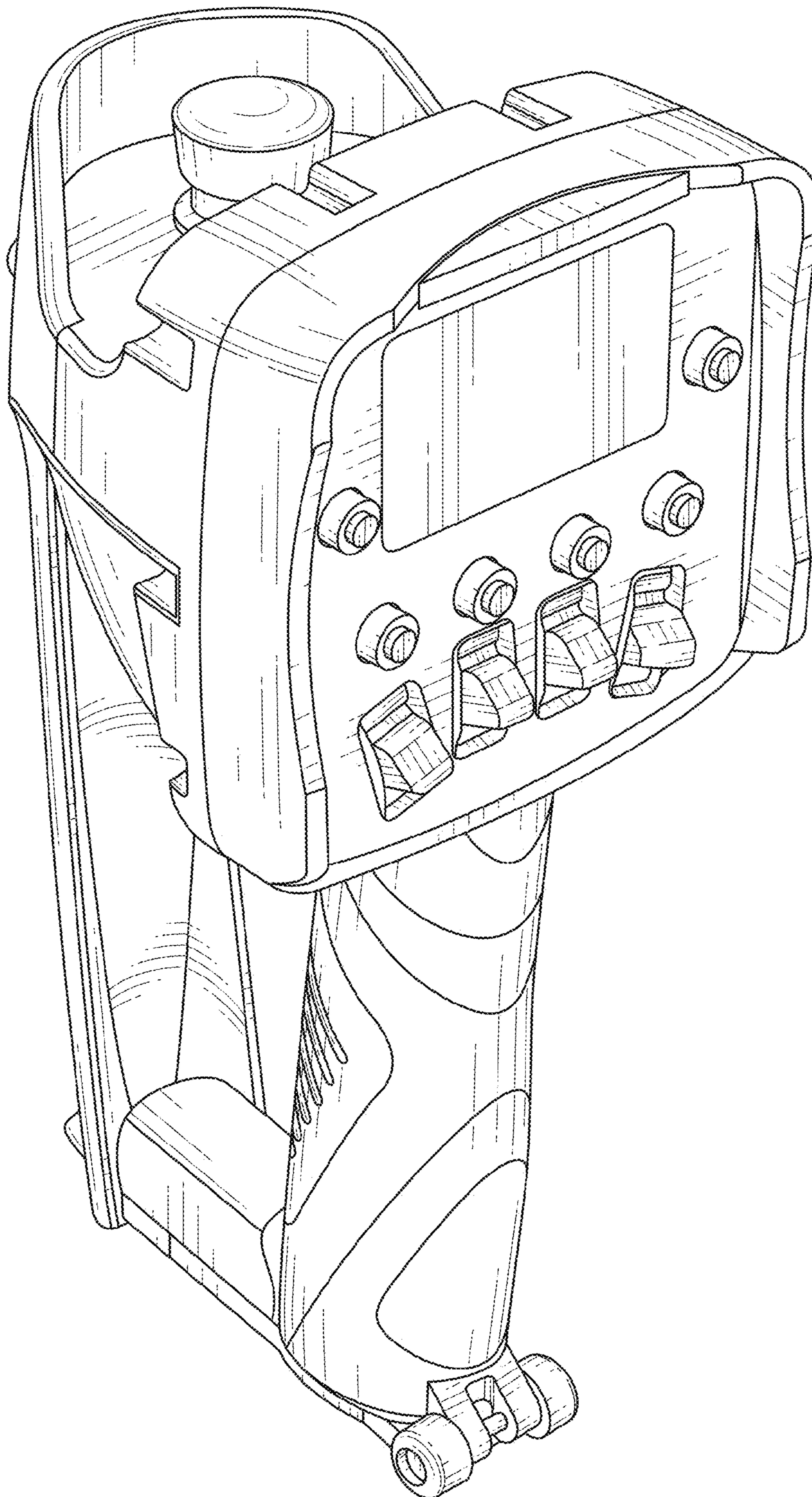


FIG. 1

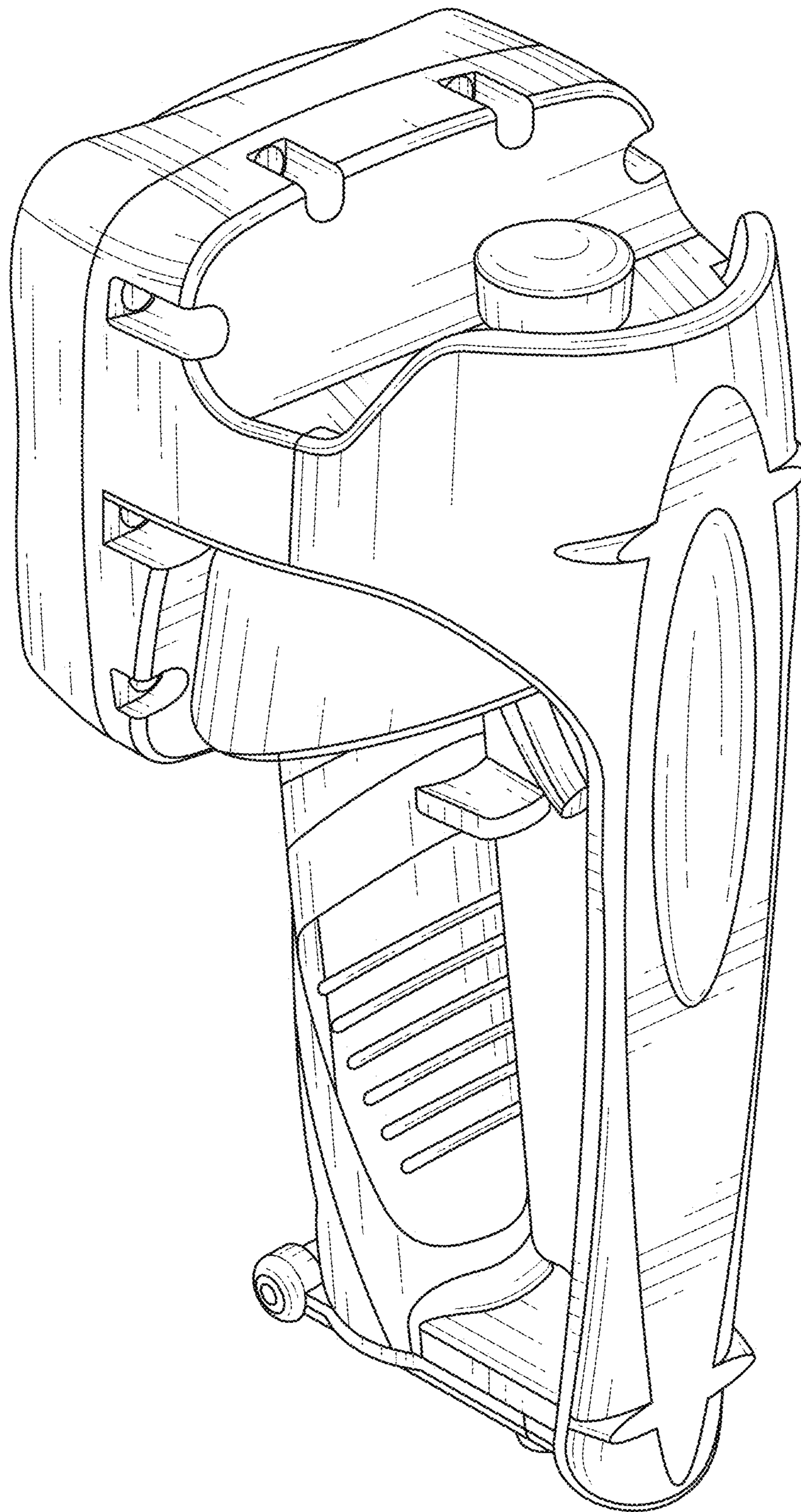


FIG. 2

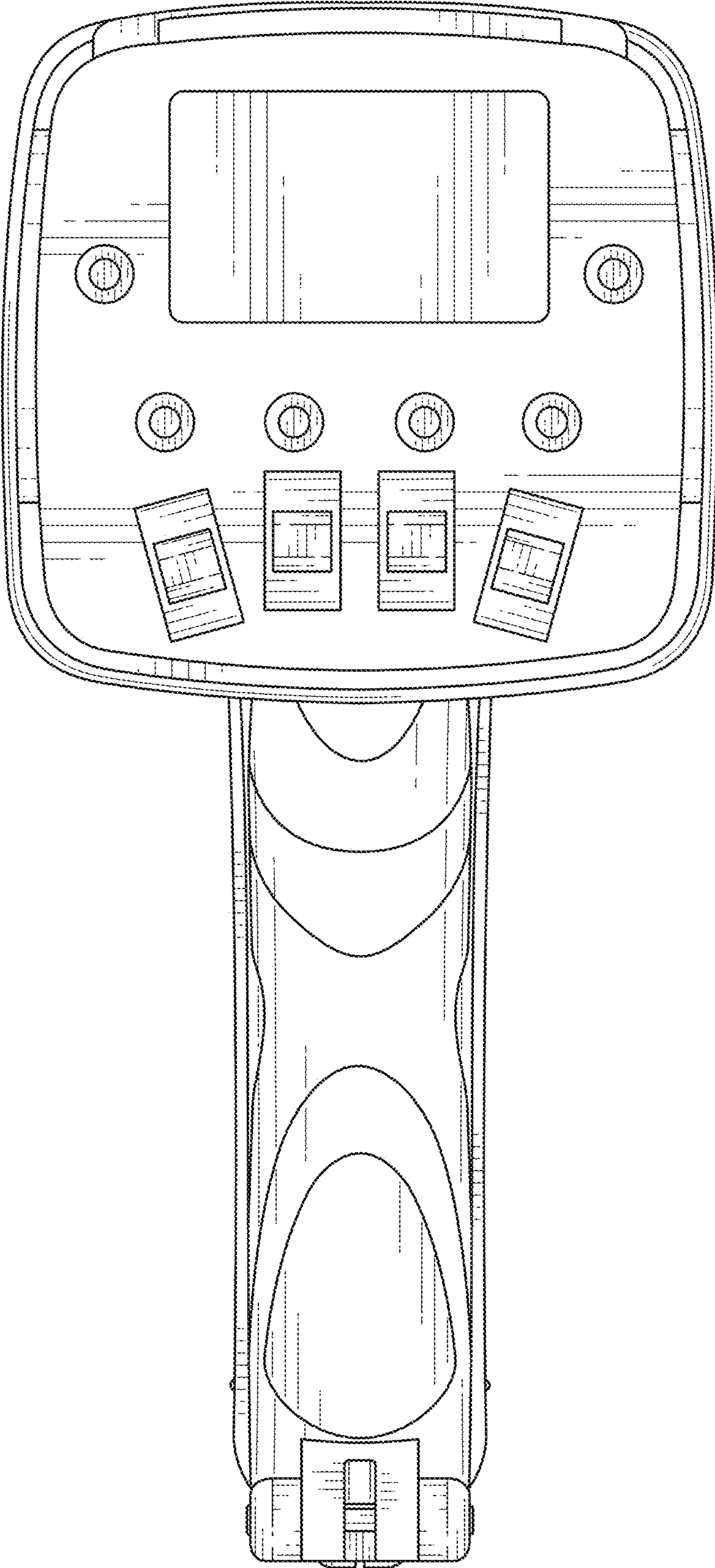


FIG. 3

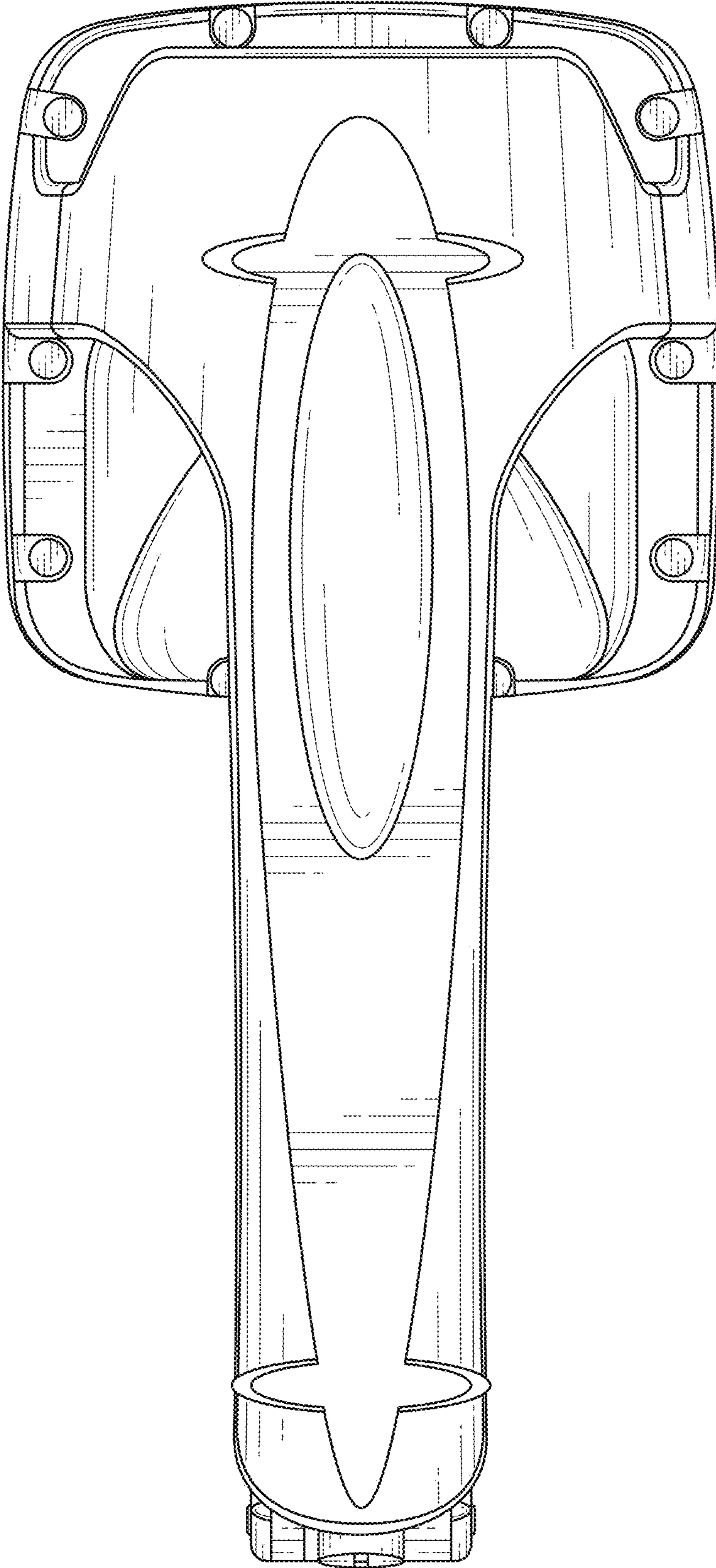


FIG. 4

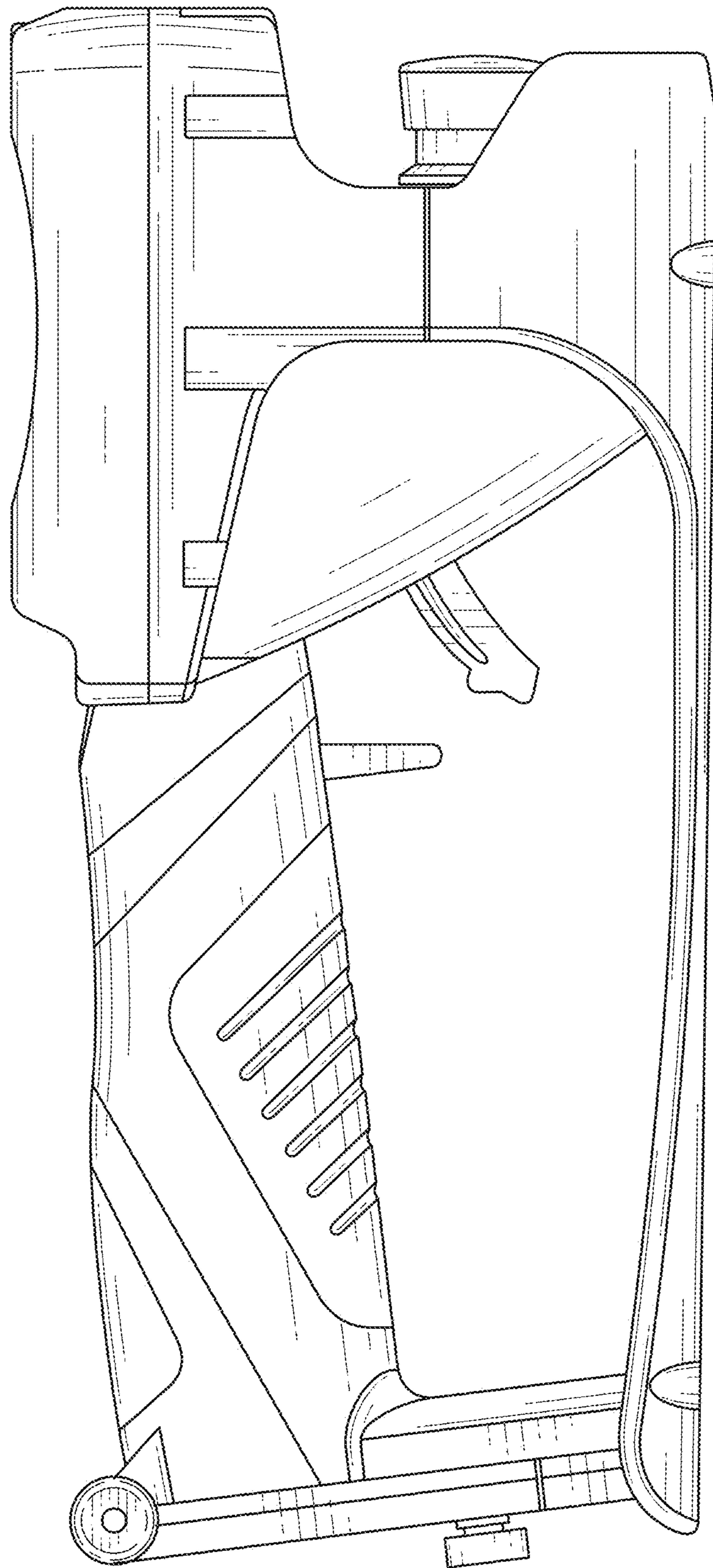


FIG. 5

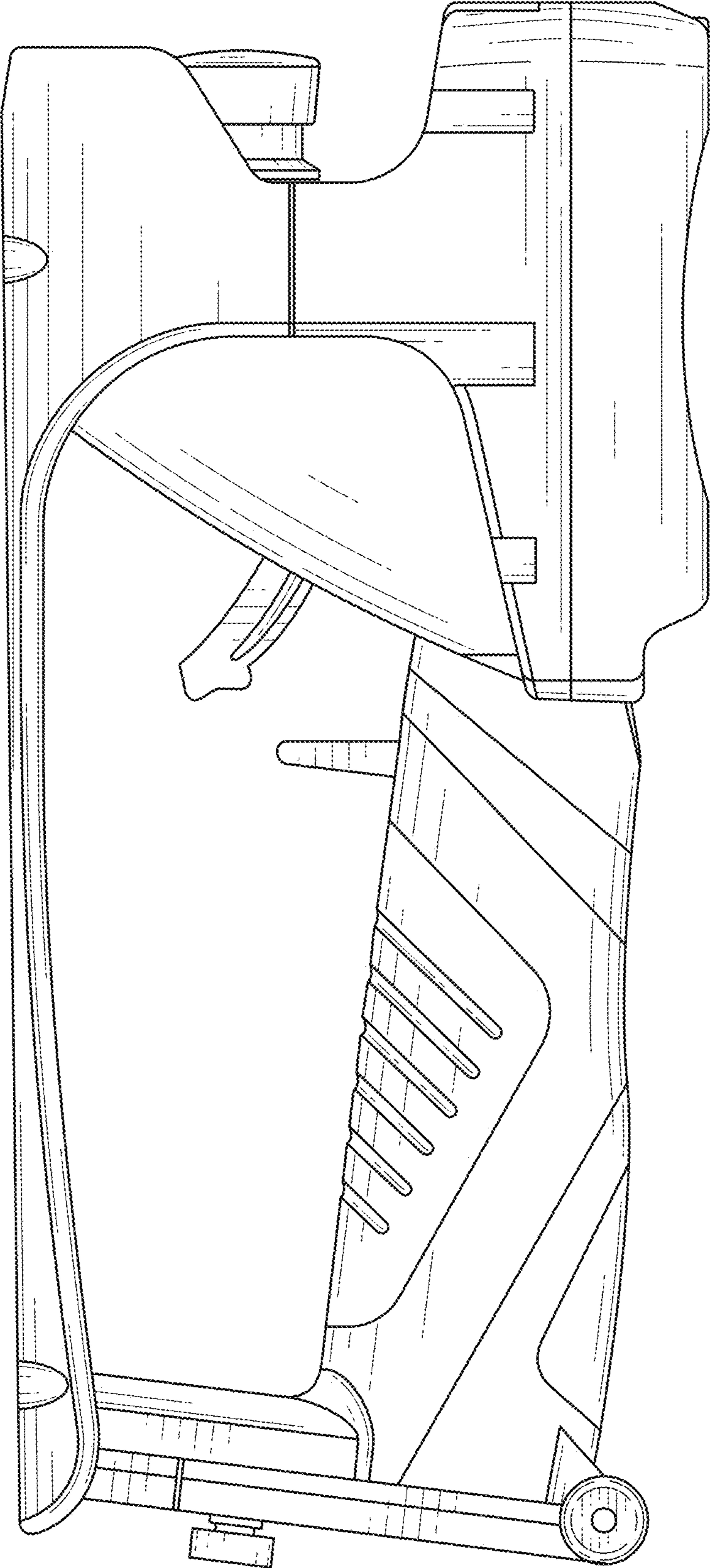


FIG. 6

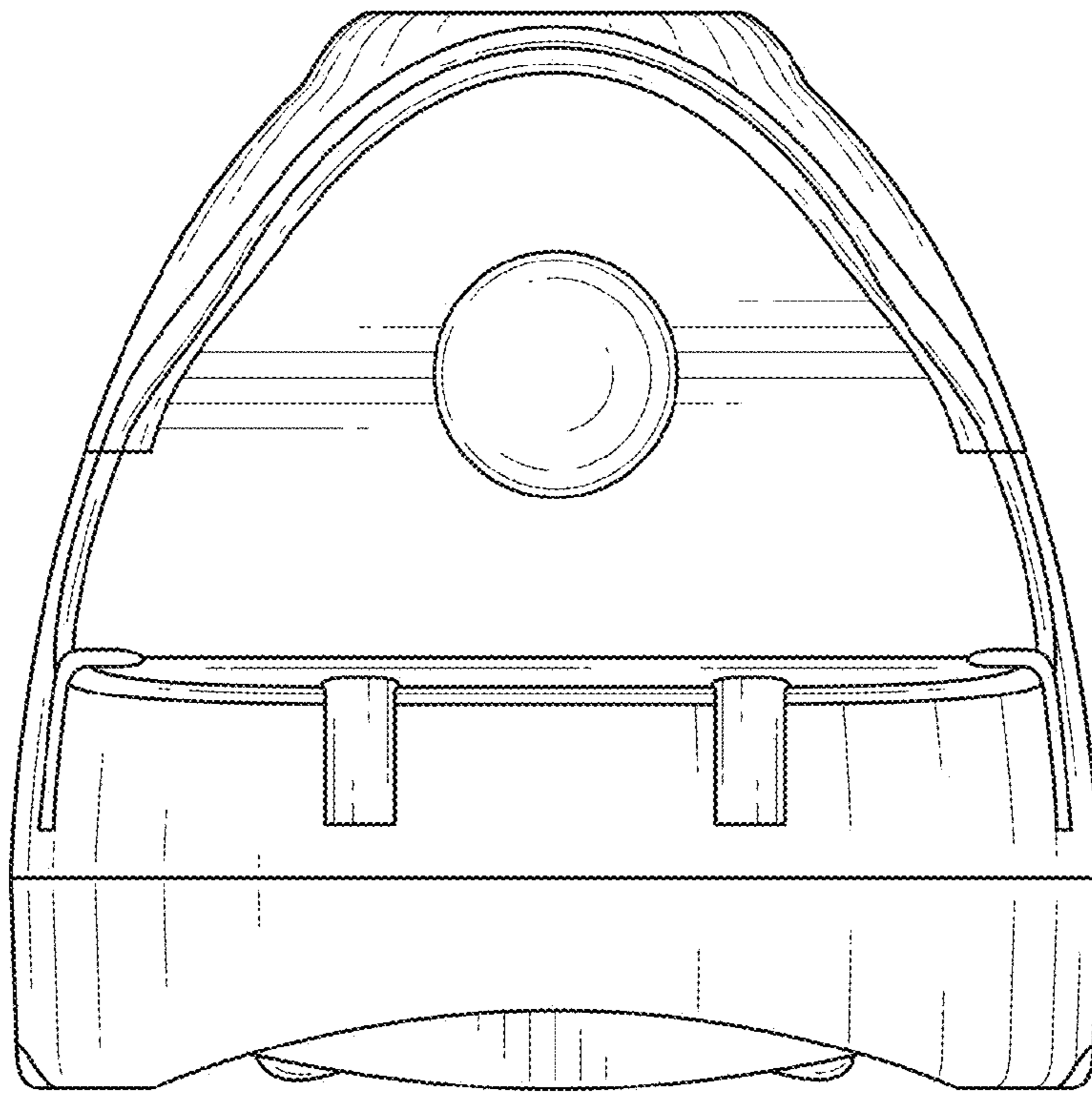


FIG. 7

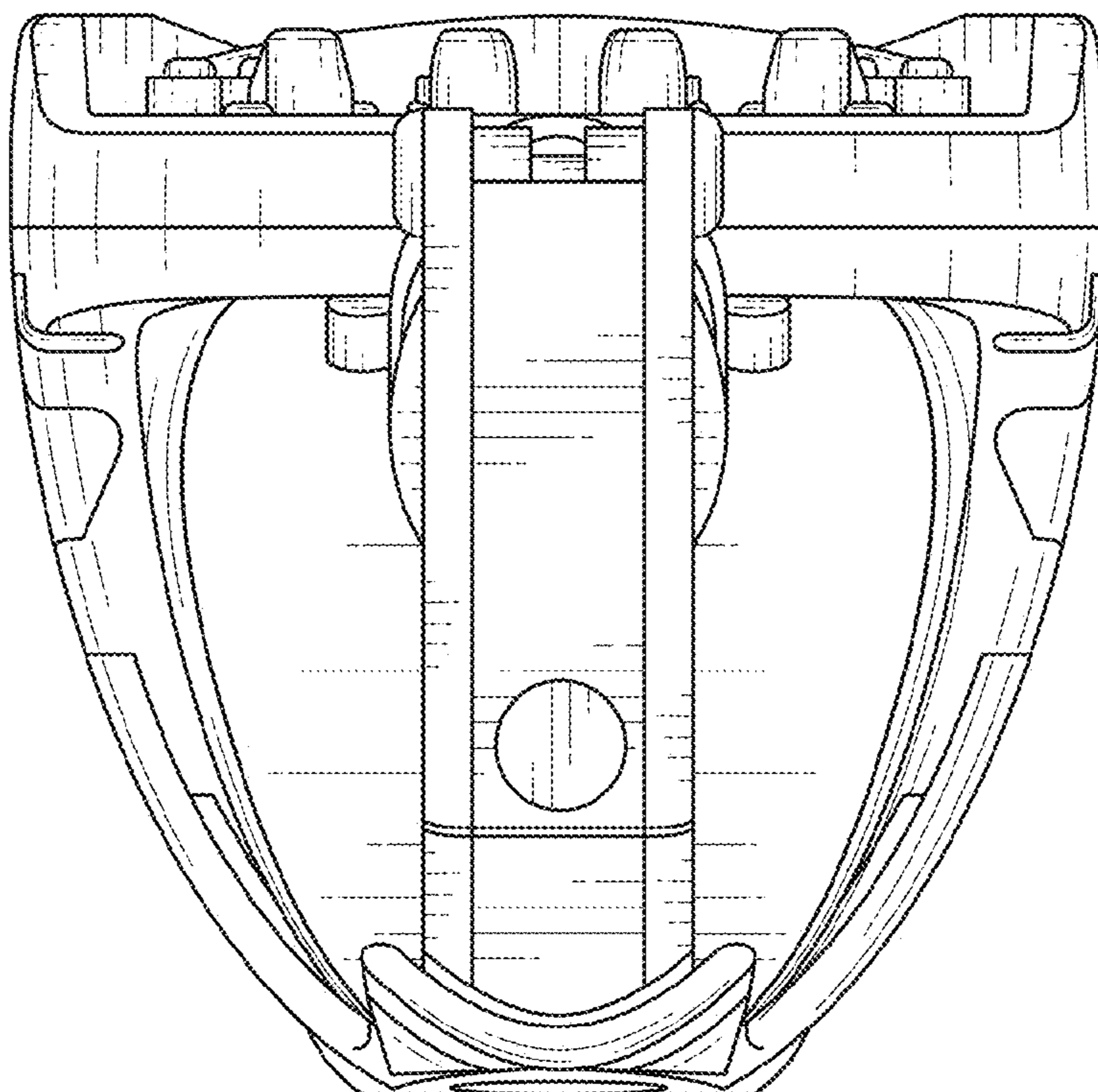


FIG. 8