



US00D953681S

(12) **United States Design Patent**
Tsfasman

(10) **Patent No.:** **US D953,681 S**

(45) **Date of Patent:** **** May 31, 2022**

(54) **VACUUM LIFTER**

(71) Applicant: **Nebula innovations LLC**, Las Vegas,
NV (US)

(72) Inventor: **Eduard Tsfasman**, Las Vegas, NV
(US)

(**) Term: **15 Years**

(21) Appl. No.: **29/810,982**

(22) Filed: **Oct. 11, 2021**

(51) **LOC (13) Cl.** **12-05**

(52) **U.S. Cl.**
USPC **D34/28**

(58) **Field of Classification Search**
USPC D34/28; D8/14, 51, 71, 69, 107, 349
CPC . B26B 23/00; B25F 1/00; B25F 1/006; A01B
1/20; A62B 3/005; B24D 1/00; B25G
1/04; B25G 3/28

See application file for complete search history.

(56) **References Cited**

U.S. PATENT DOCUMENTS

D490,201 S *	5/2004	Liao	D34/28
D651,505 S *	1/2012	Roth	D8/373
D880,966 S *	4/2020	Montoli	D8/14
D893,981 S *	8/2020	Livingston, Jr.	D34/28
D932,726 S *	10/2021	Rotem	D34/28
D933,927 S *	10/2021	Rotem	D34/28

D934,524 S *	10/2021	Rotem	D34/28
D944,619 S *	3/2022	Rotem	D8/107
2009/0166490 A1 *	7/2009	Liao	F16B 47/00 248/205.8
2019/0019391 A1 *	1/2019	Chang	F16B 47/006
2020/0338695 A1 *	10/2020	Rotem	B66C 1/0256

OTHER PUBLICATIONS

GRAVO Pro Lifter, AMAZON.com, First Available Jul. 8, 2021.*

* cited by examiner

Primary Examiner — Philip S Hyder

(74) *Attorney, Agent, or Firm* — Rumit Ranjit Kanakia

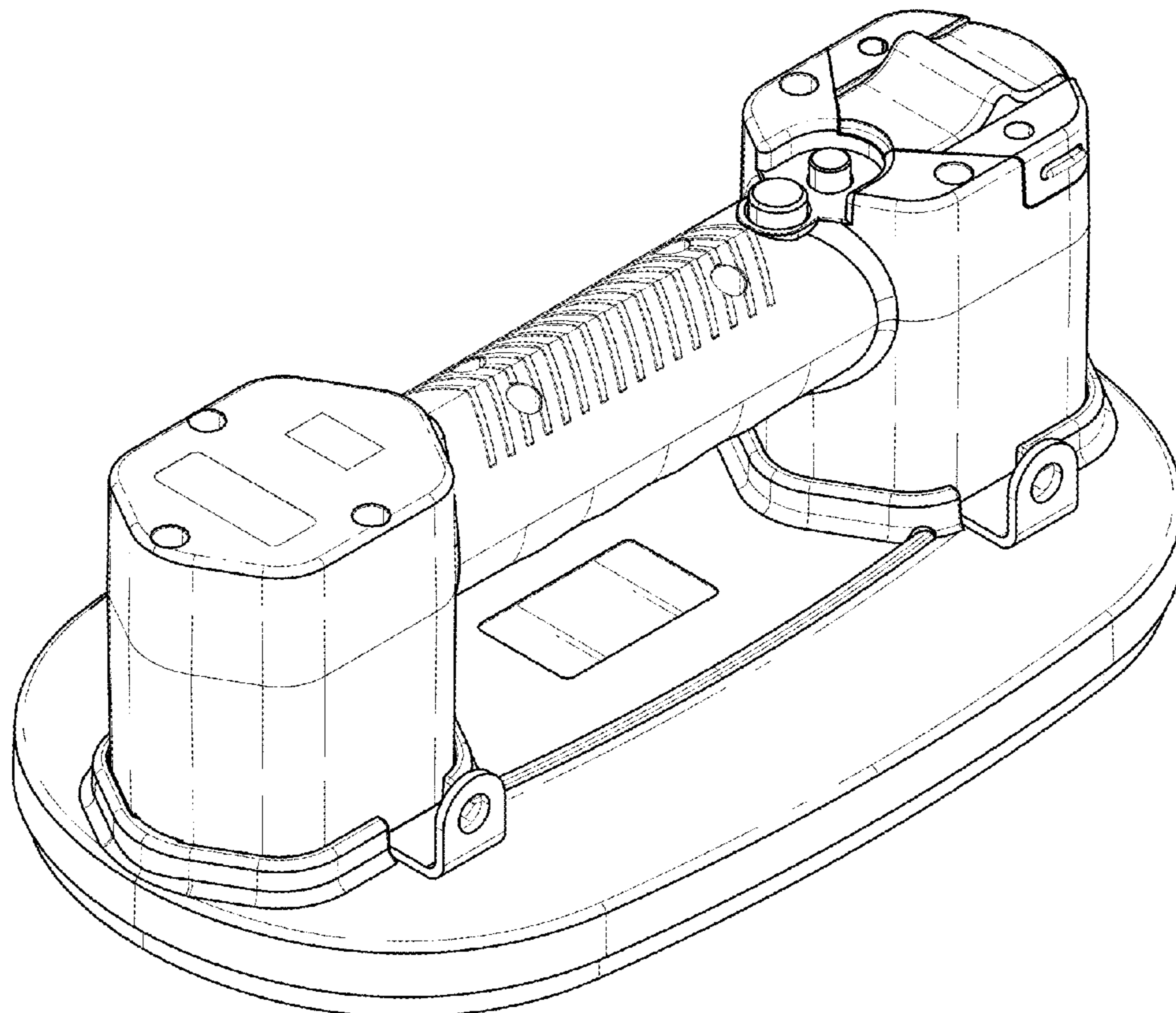
(57) **CLAIM**

I claim the ornamental design for a vacuum lifter, as shown and described.

DESCRIPTION

FIG. 1 is a Top Perspective view of a vacuum lifter showing my new design;
FIG. 2 is a Bottom Perspective view thereof;
FIG. 3 is a Front view thereof;
FIG. 4 is a Back view thereof;
FIG. 5 is a Left-side view thereof;
FIG. 6 is a Right-side view thereof;
FIG. 7 is a Top view thereof; and,
FIG. 8 is a Bottom view thereof.

1 Claim, 5 Drawing Sheets



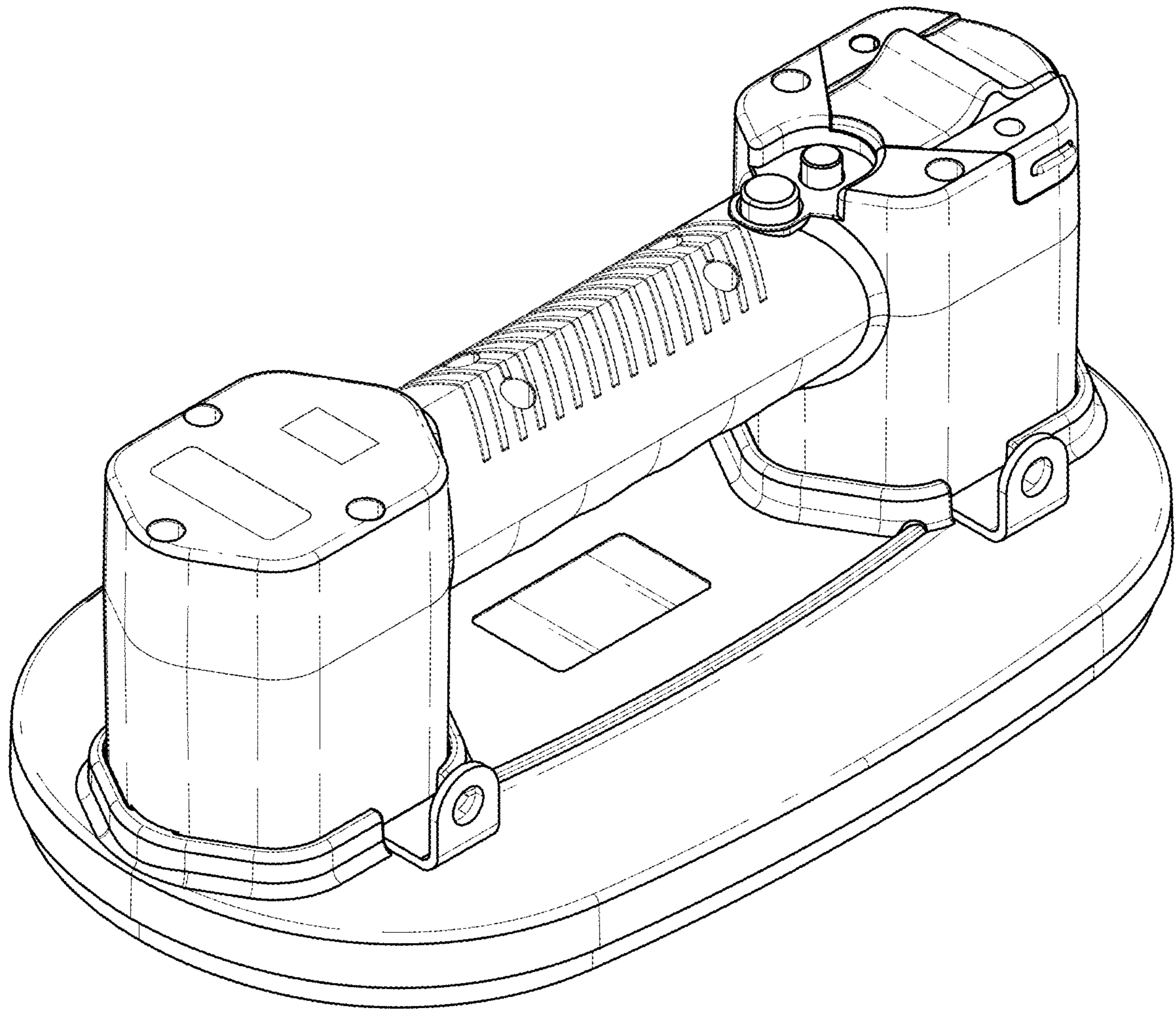


FIG. 1

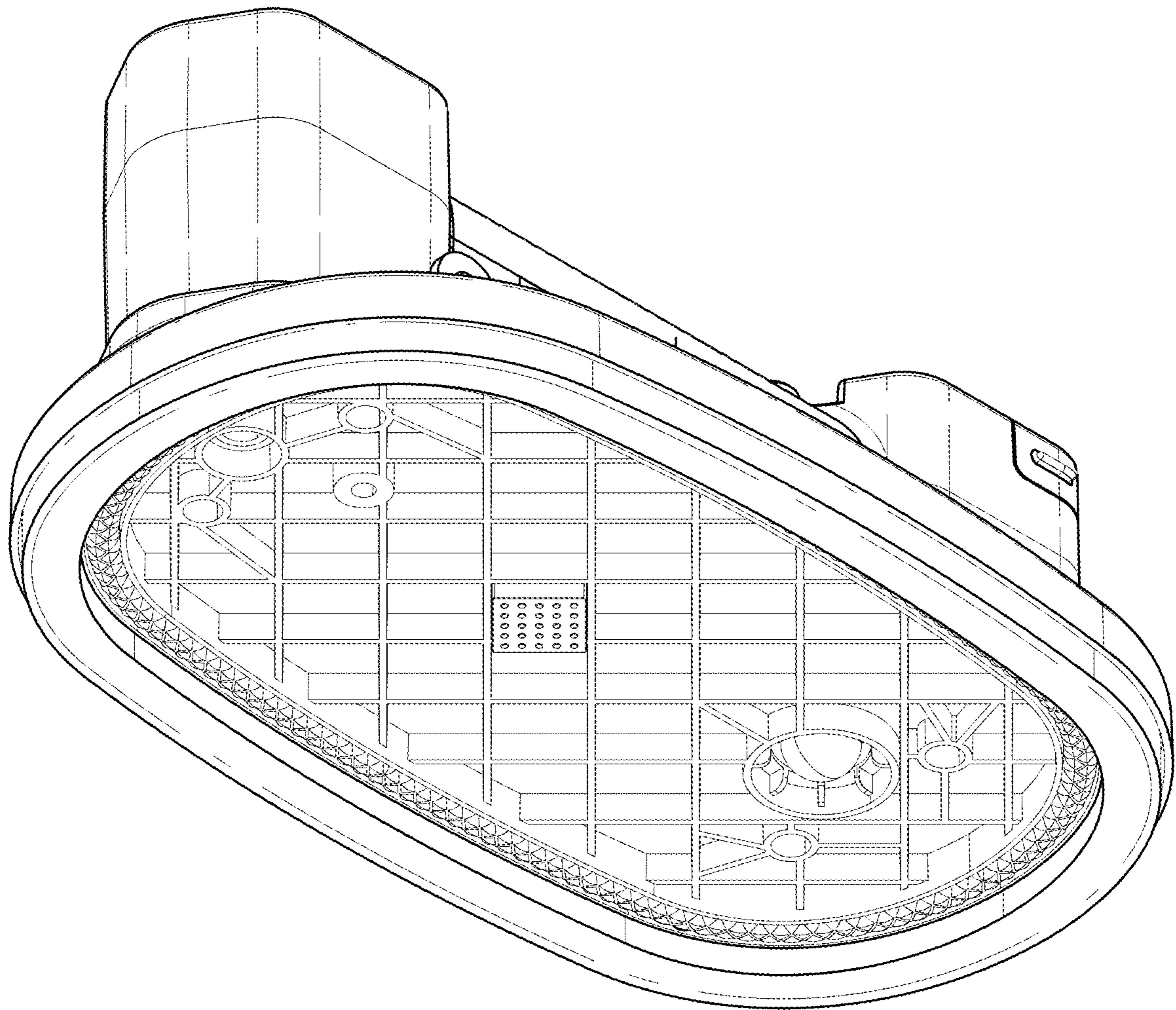


FIG. 2

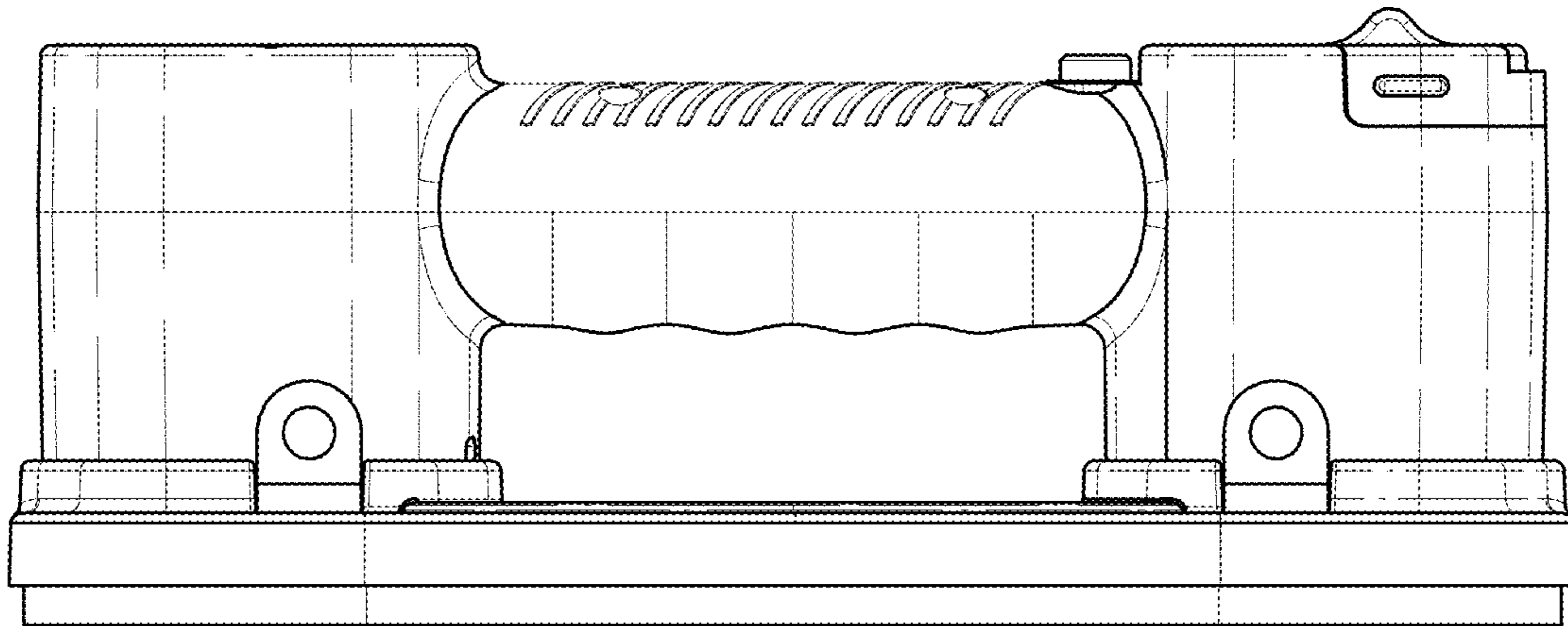


FIG. 3

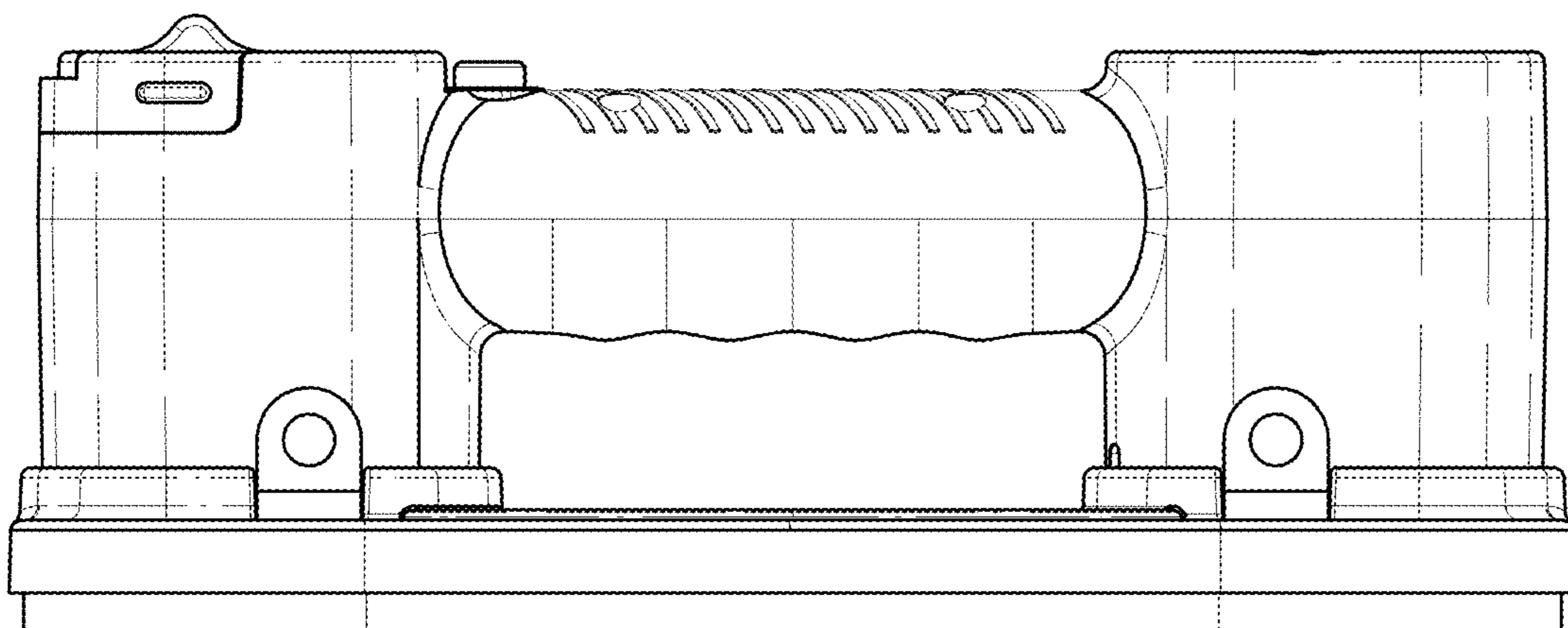


FIG. 4

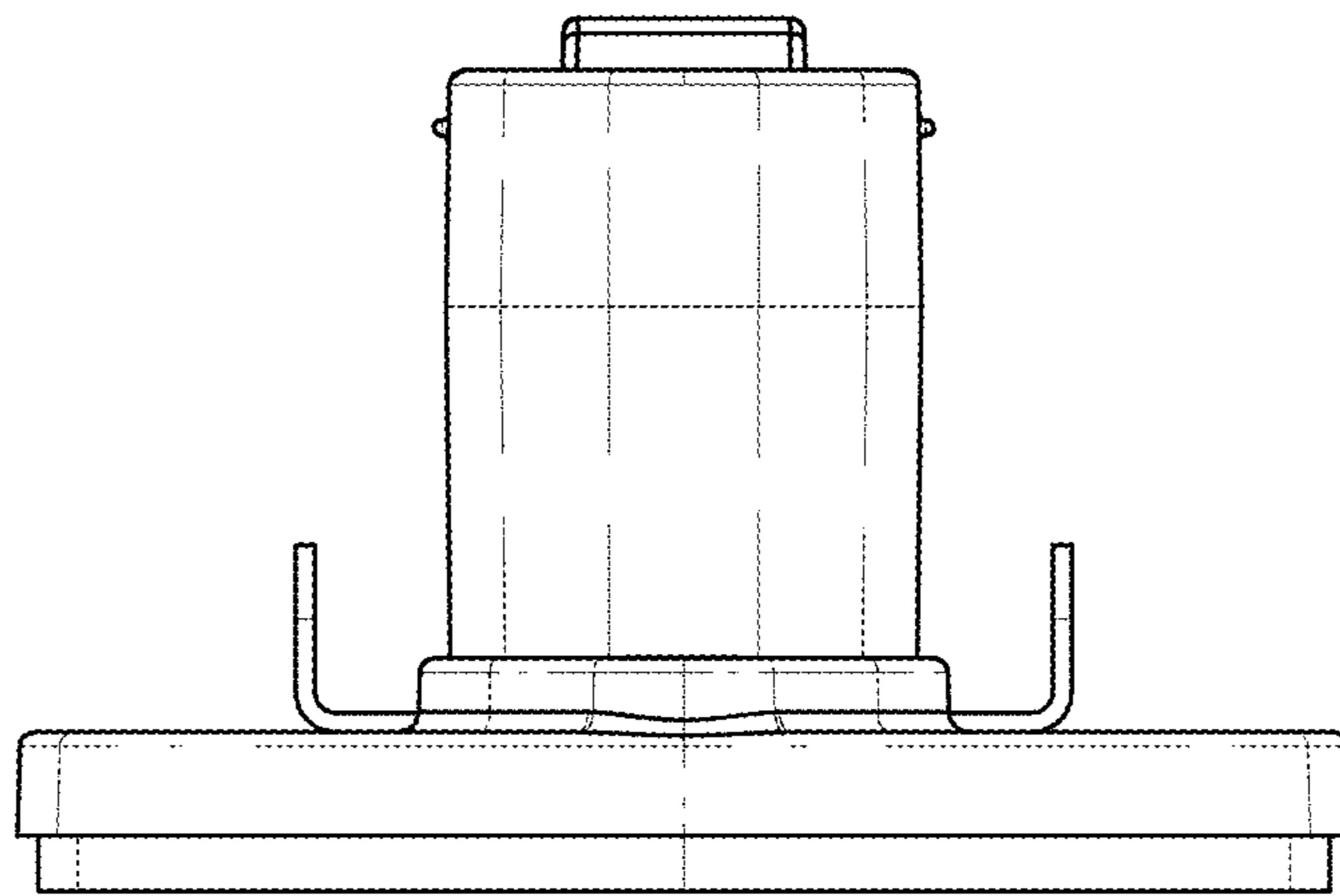


FIG. 5

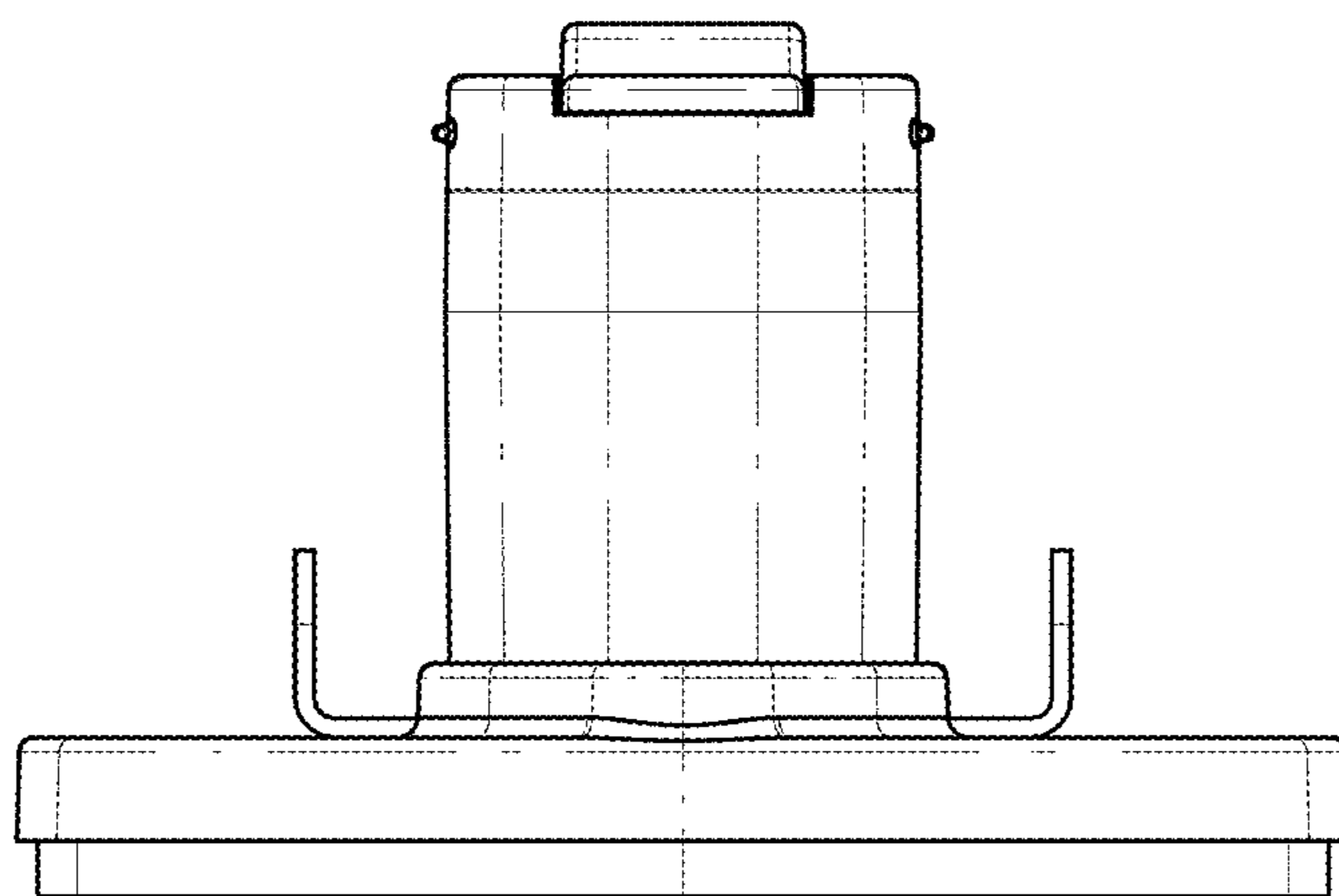


FIG. 6

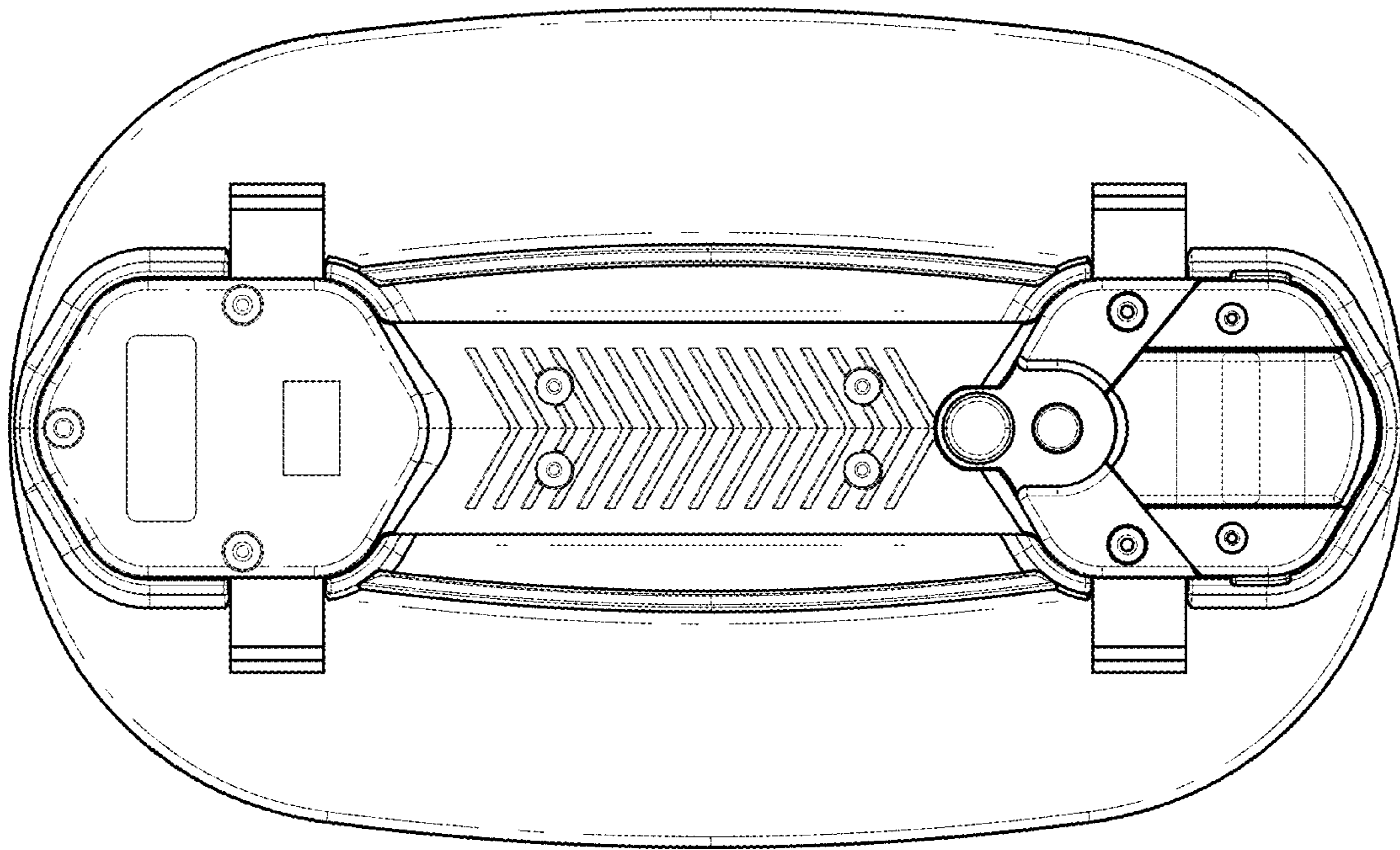


FIG. 7

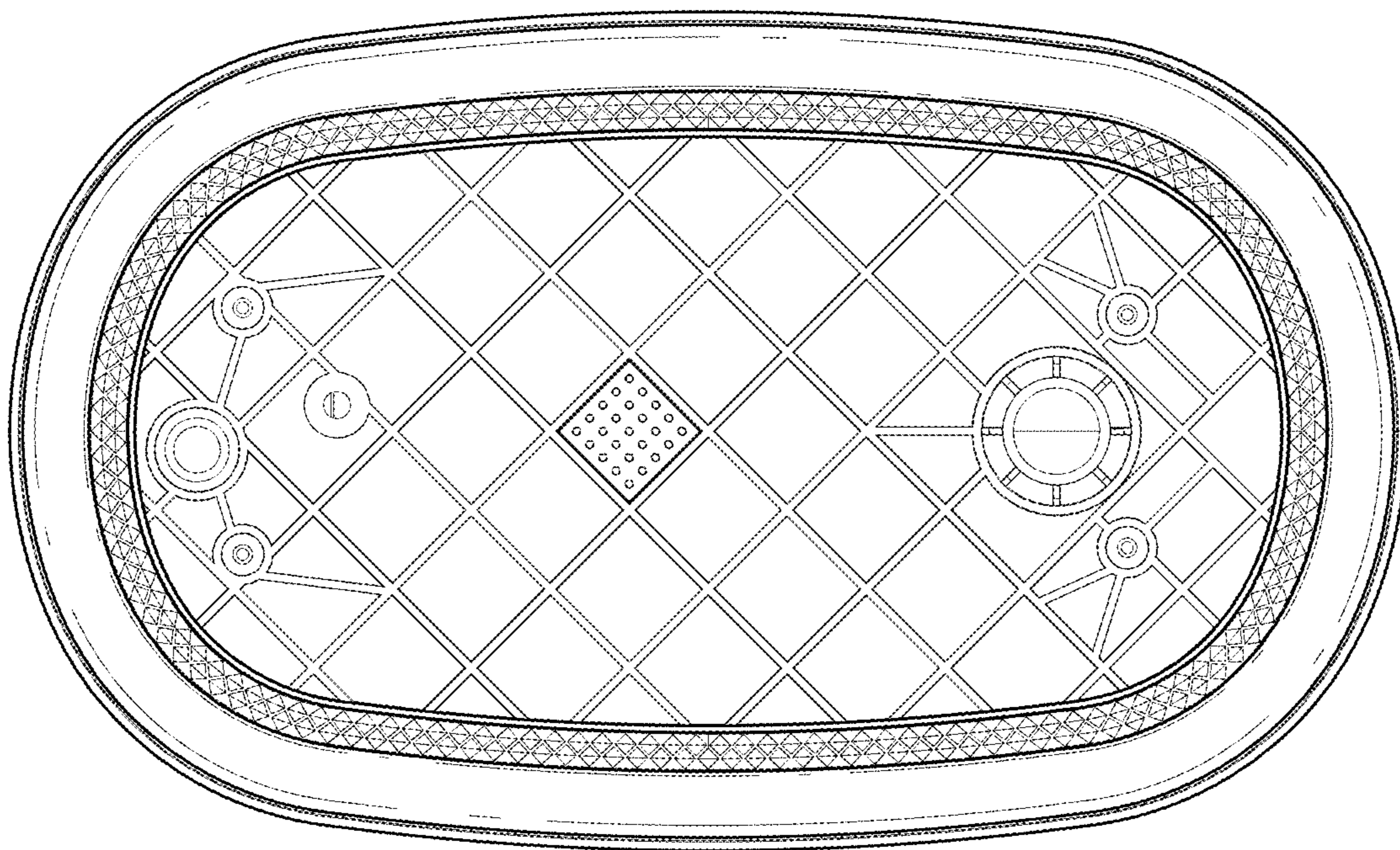


FIG. 8