



US00D953680S

(12) **United States Design Patent** (10) **Patent No.:** **US D953,680 S**  
**Galindo** (45) **Date of Patent:** **\*\* May 31, 2022**

- (54) **APPLIANCE DOLLY**
- (71) Applicant: **Toribio Galindo**, Odessa, TX (US)
- (72) Inventor: **Toribio Galindo**, Odessa, TX (US)
- (\*\*) Term: **15 Years**
- (21) Appl. No.: **29/751,770**
- (22) Filed: **Sep. 23, 2020**
- (51) **LOC (13) Cl.** ..... **12-05**
- (52) **U.S. Cl.**  
USPC ..... **D34/23**
- (58) **Field of Classification Search**  
USPC ..... D34/12–27  
CPC ..... B62B 5/0083; B62B 5/067; B62B 3/02;  
B62B 3/001; B62B 3/002; B62B 3/006;  
B62B 3/10; B62B 3/022; B62B 1/20;  
B62B 1/00; B62B 1/008; B62B 1/12  
See application file for complete search history.

6,929,250 B2	8/2005	Blake et al.	
7,059,617 B1 *	6/2006	Verna .....	B62B 5/0083 280/79.3
D644,399 S	8/2011	Dechant et al.	
D698,115 S	1/2014	Plesh et al.	
10,427,701 B1	10/2019	Brede	
D897,065 S *	9/2020	Goetsch .....	D34/28
D920,620 S *	5/2021	Coccaro .....	D34/23
2004/0007839 A1 *	1/2004	Ferrigan .....	B62B 3/02 280/79.7
2006/0163828 A1 *	7/2006	Renz .....	B62B 3/02 280/79.11

(56) **References Cited**

**U.S. PATENT DOCUMENTS**

D174,307 S	3/1955	Anderson	
4,776,603 A	10/1988	Watts	
5,035,445 A *	7/1991	Poulin .....	B60T 1/14 280/79.11
D345,841 S *	4/1994	Bekius .....	D34/24
5,299,826 A	4/1994	Flowers	
D348,132 S *	6/1994	McCoy .....	D34/17
D353,928 S *	12/1994	Michael, Jr. ....	D34/24
D358,921 S *	5/1995	Abbema .....	D34/24
5,433,460 A *	7/1995	Young .....	B63C 13/00 280/35
D395,105 S	6/1998	Stallbaumer	
6,161,861 A	12/2000	Ivie	
6,185,917 B1	2/2001	Goudes	
6,386,560 B2	5/2002	Calender	
D468,512 S *	1/2003	Hernandez .....	B66F 5/04 D34/28
D473,990 S	4/2003	Jittle	

**OTHER PUBLICATIONS**

Hartwall Dolly, announced 2022 [online], [site visited Mar. 9, 2022]. Available from internet, URL: <https://k-hartwall.com/products/lean-modular-dolly/> (Year: 2022).\*

\* cited by examiner

*Primary Examiner* — George A Bugg  
*Assistant Examiner* — Tamara L Hahn  
(74) *Attorney, Agent, or Firm* — Cramer Patent & Design, PLLC; Aaron R. Cramer

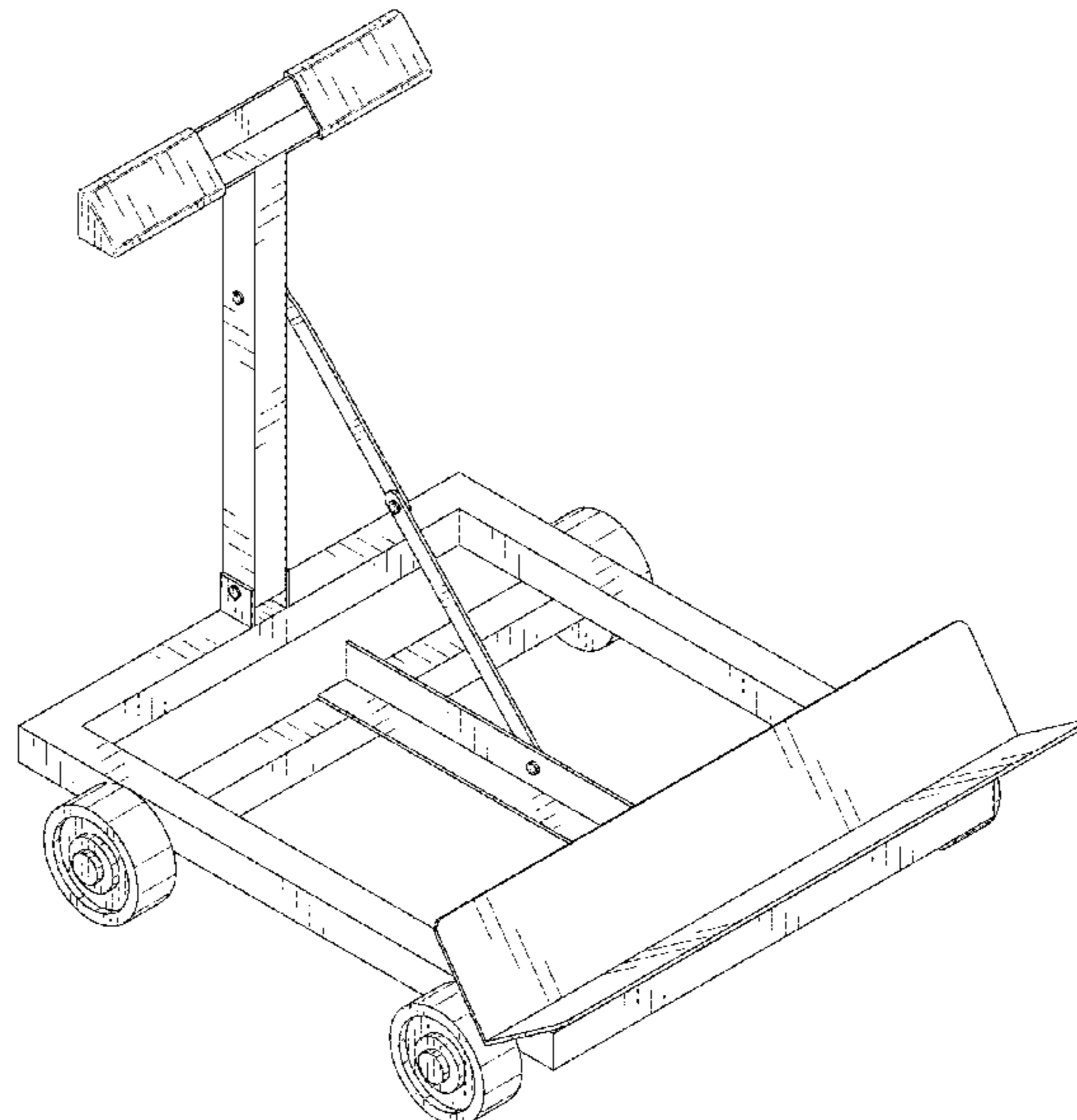
(57) **CLAIM**

The ornamental design for an appliance dolly, as shown and described.

**DESCRIPTION**

FIG. 1 is a perspective top front left view of an appliance dolly, showing my new design;  
FIG. 2 is a perspective top rear right view thereof;  
FIG. 3 is a front elevation view thereof;  
FIG. 4 is a rear elevation view thereof;  
FIG. 5 is a right elevation view thereof;  
FIG. 6 is a left elevation plan view thereof;  
FIG. 7 is a top plan view thereof; and,  
FIG. 8 is a bottom plan view thereof.

**1 Claim, 8 Drawing Sheets**



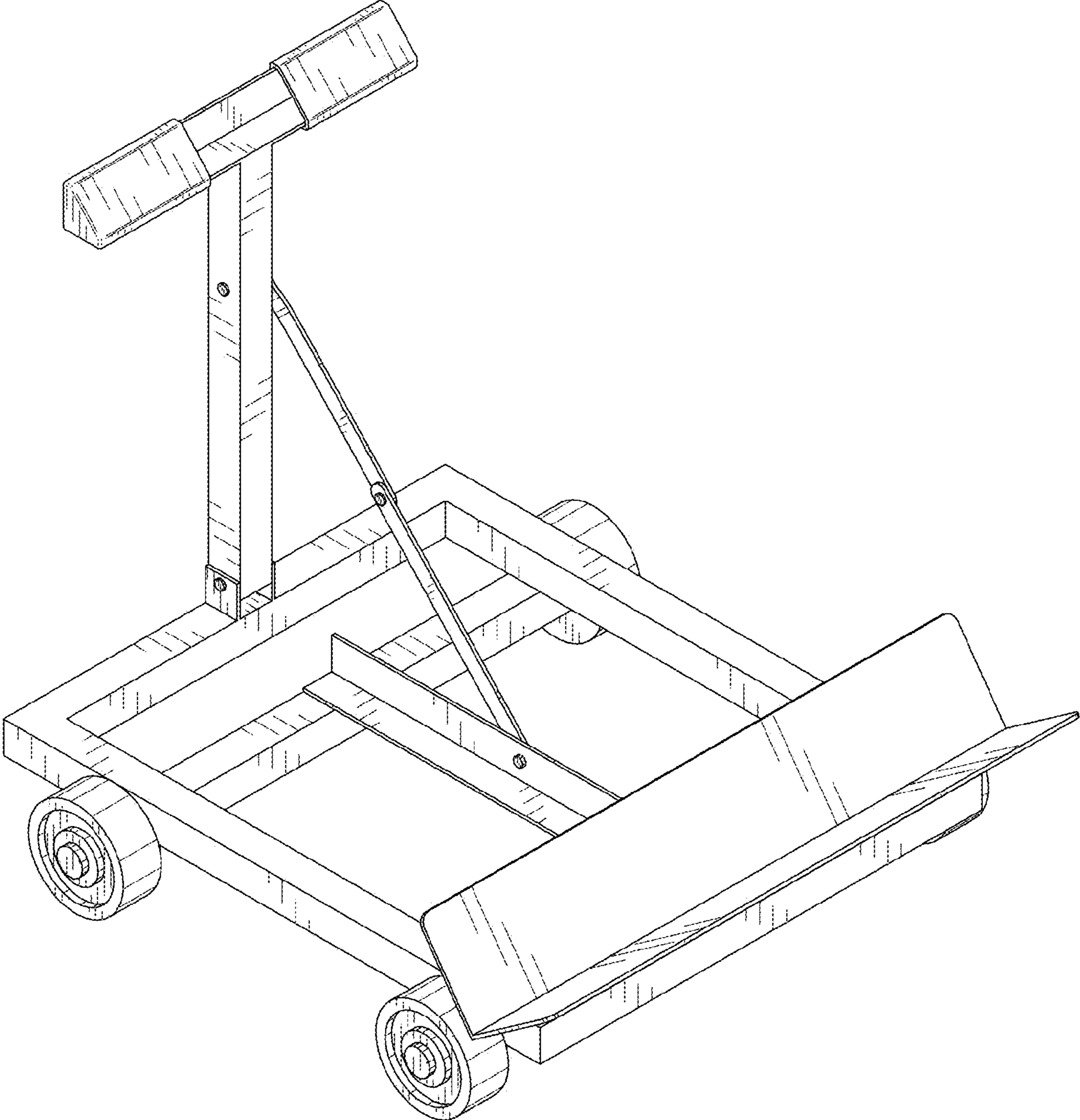


FIG. 1

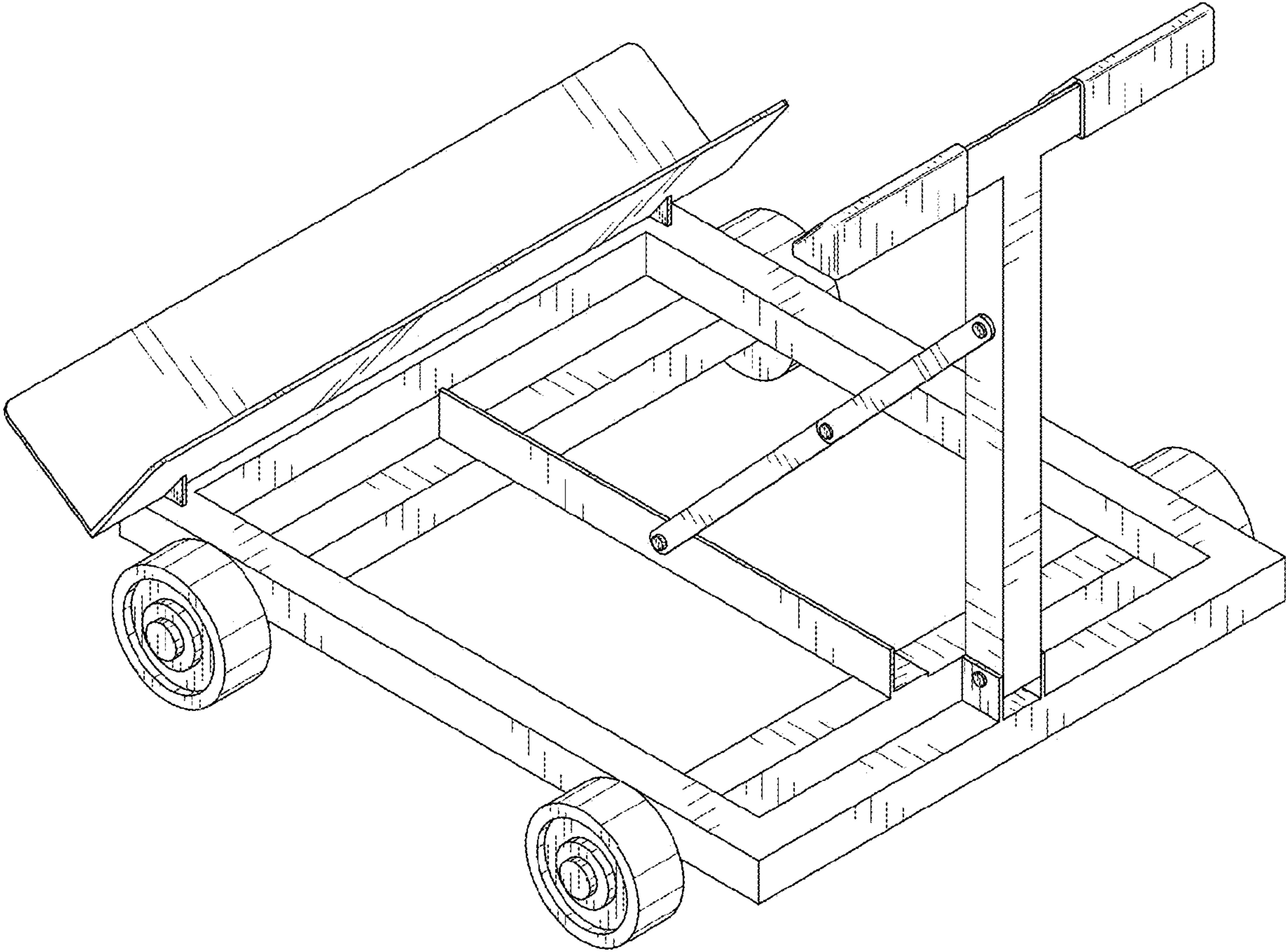


FIG. 2

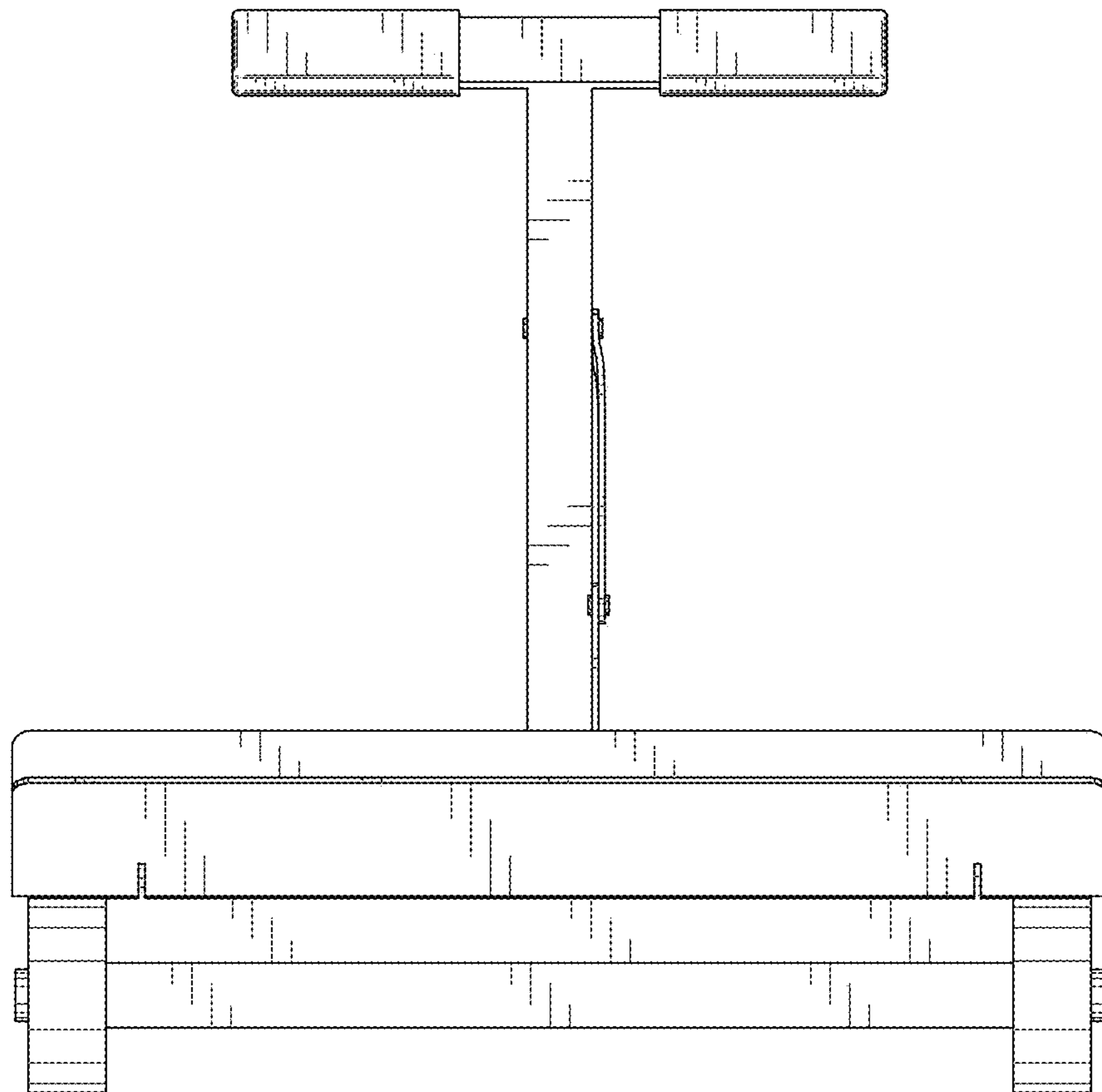


FIG. 3



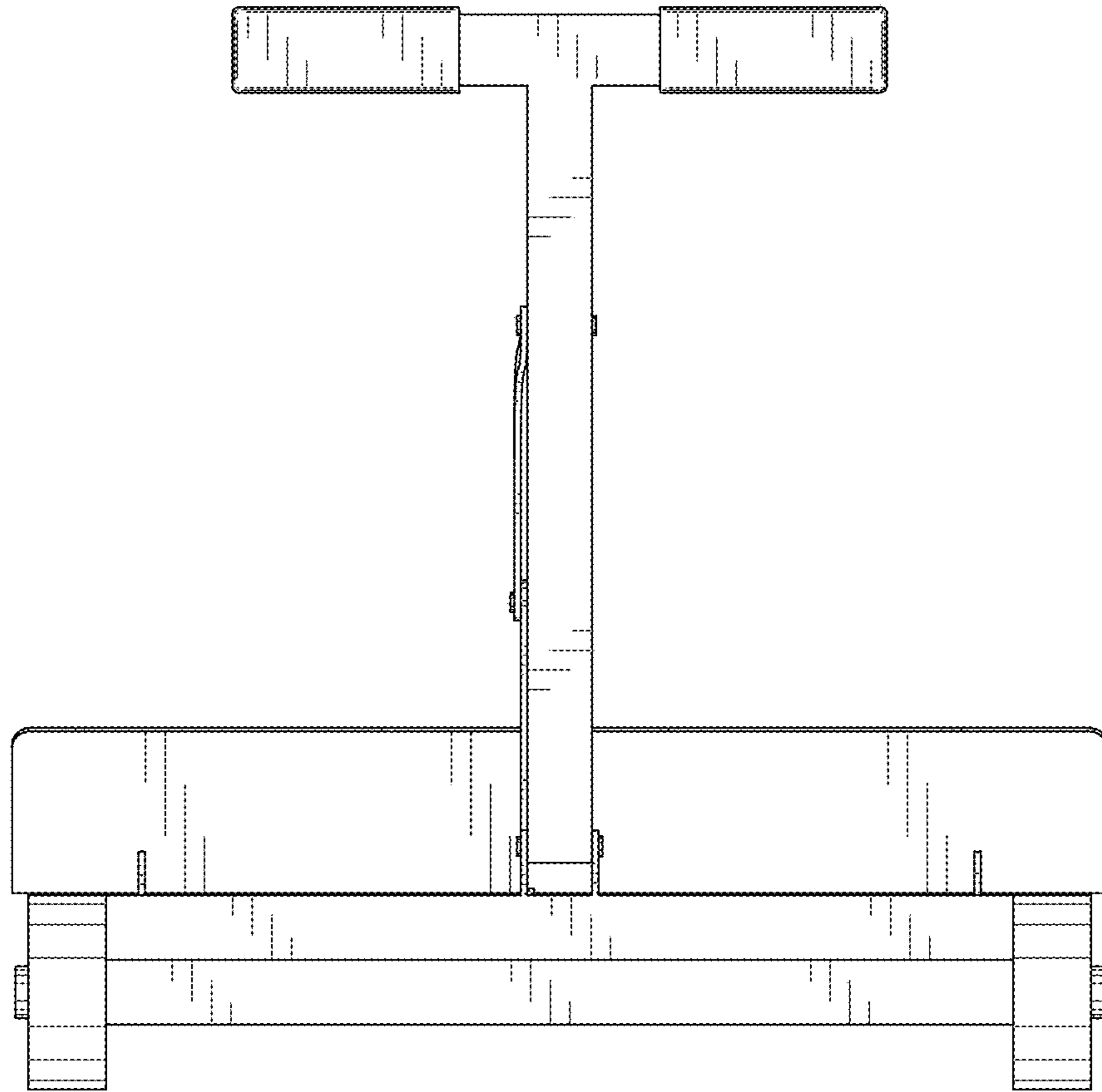


FIG. 4

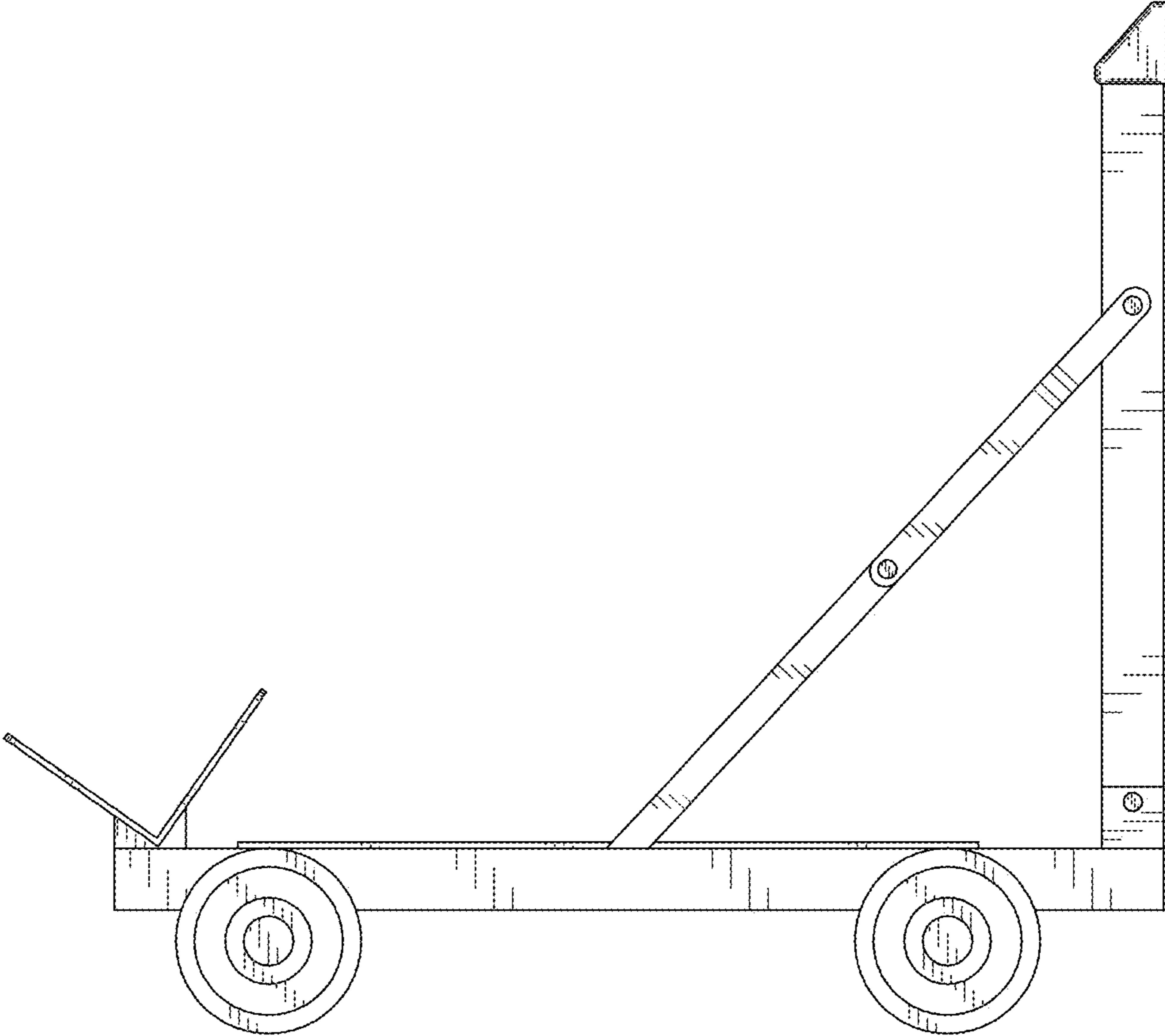


FIG. 5

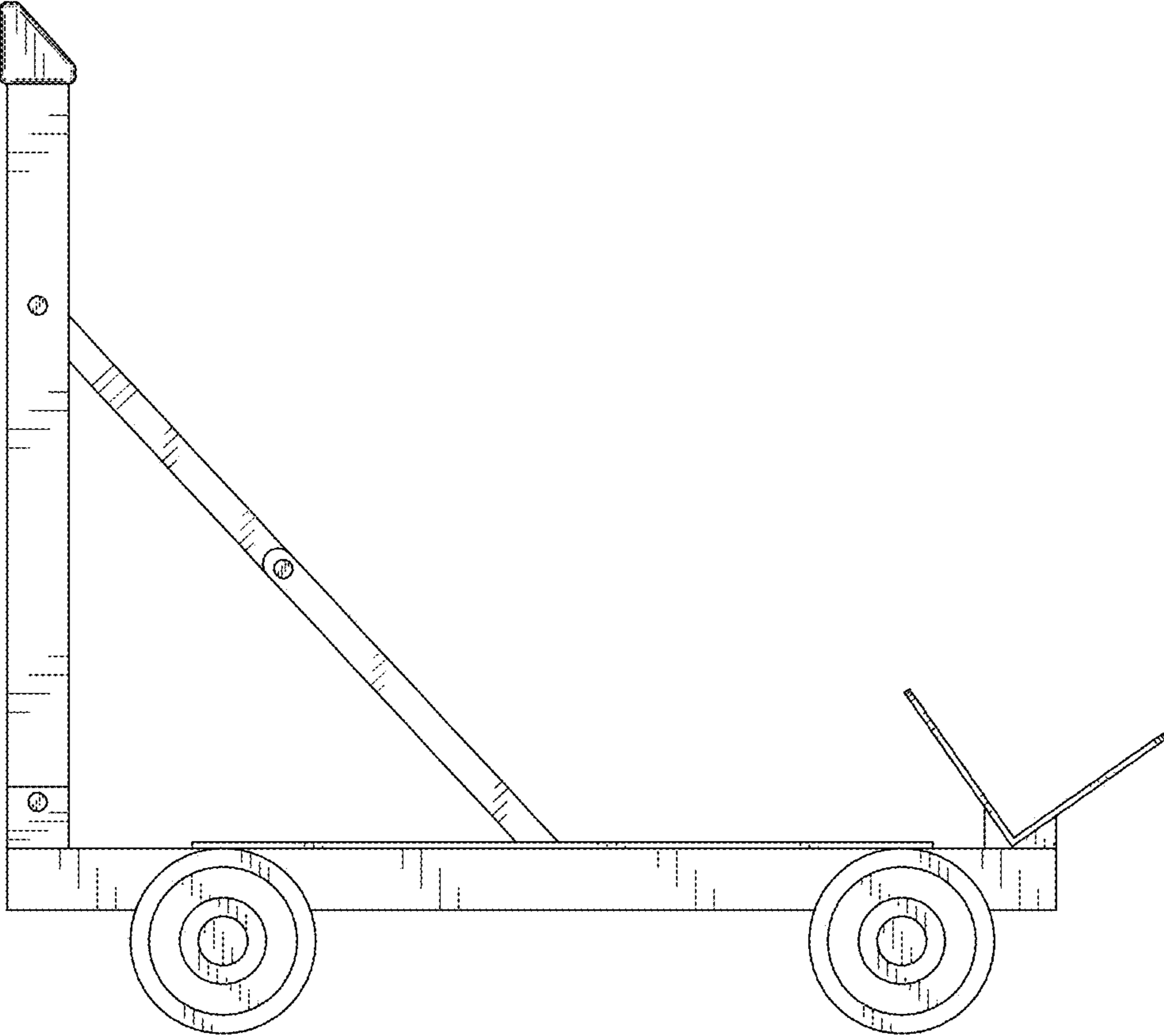


FIG. 6

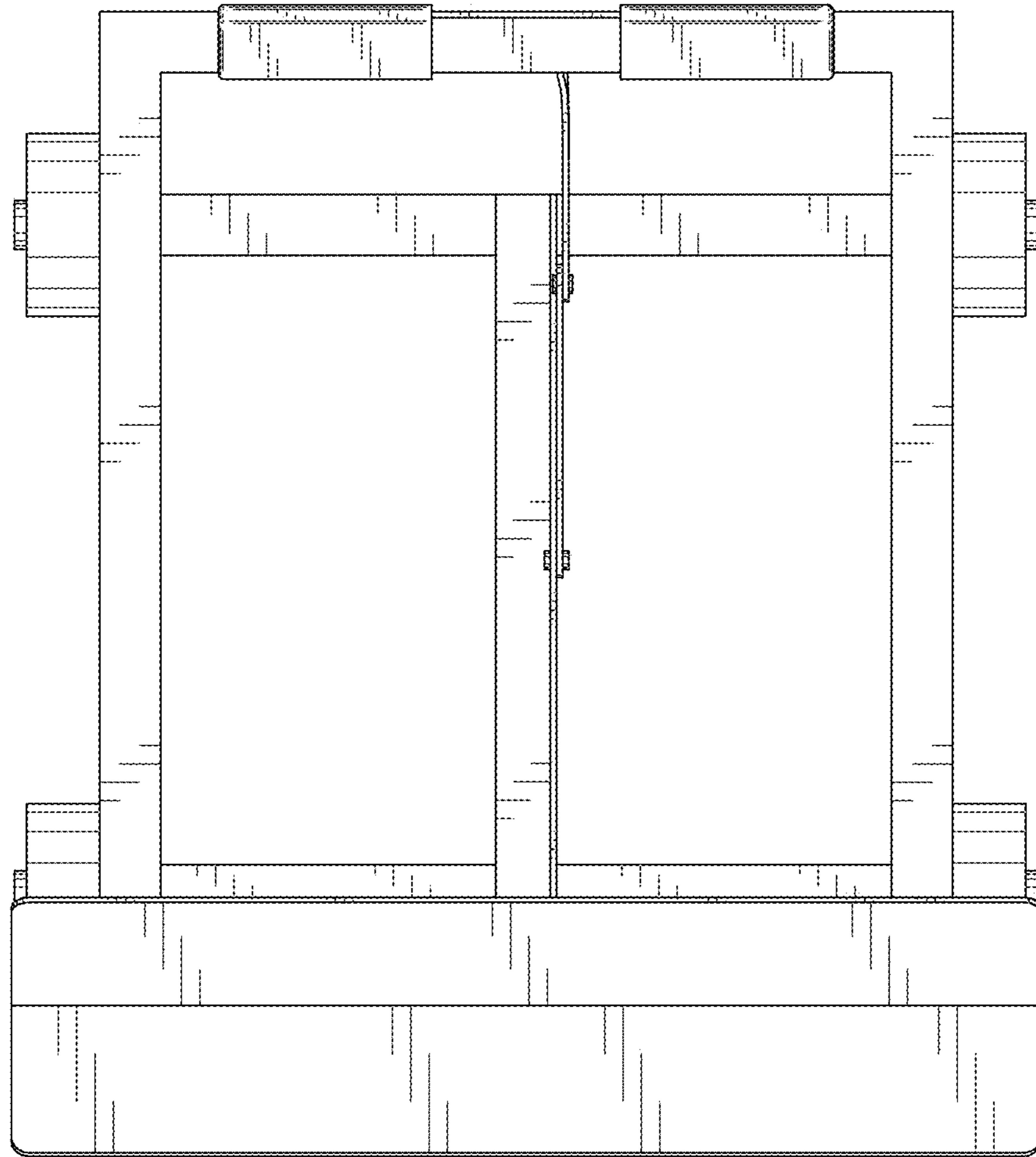


FIG. 7



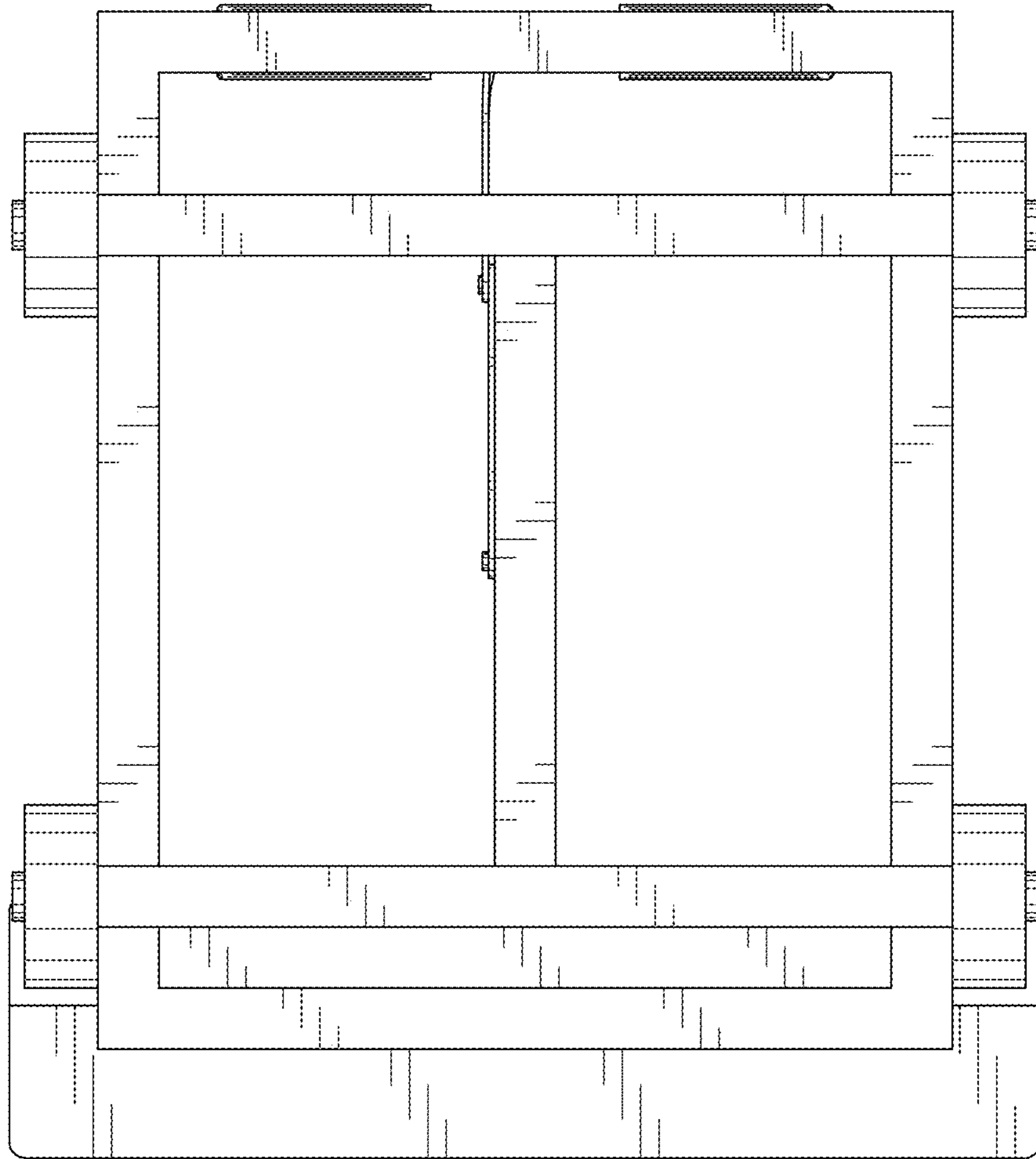


FIG. 8