



US00D953678S

(12) **United States Design Patent**
Bouchez

(10) **Patent No.:** **US D953,678 S**

(45) **Date of Patent:** **** May 31, 2022**

(54) **FLOOR MARKING CART**

(71) Applicant: **TECHNIMA HOLDING, Nersac (FR)**

(72) Inventor: **Arnaud Bouchez, Marcq-en-Baroeul (FR)**

(**) Term: **15 Years**

(21) Appl. No.: **35/511,469**

(22) Filed: **Jan. 22, 2021**

(80) **Hague Agreement Data**

Int. Filing Date: **Jan. 22, 2021**

Int. Reg. No.: **DM/212698**

Int. Reg. Date: **Jan. 22, 2021**

Int. Reg. Pub. Date: **Feb. 26, 2021**

(51) **LOC (13) Cl.** **12-02**

(52) **U.S. Cl.**

USPC **D34/12**

(58) **Field of Classification Search**

USPC D34/12-27; D12/16

CPC B62B 1/12; B62B 5/067; B62B 5/0438;

B62B 2206/006; B62B 1/042; B62B

3/0606; B62B 1/208; B62B 2205/26

See application file for complete search history.

(56) **References Cited**

U.S. PATENT DOCUMENTS

D285,949 S * 9/1986 Thomson D21/534

D634,913 S * 3/2011 Xie D34/15

D647,679 S * 10/2011 Liao D34/15

D749,814 S * 2/2016 Hurren D34/28

D786,523 S * 5/2017 Mitchell D34/15

D812,333 S * 3/2018 Gong D34/15

D865,312 S * 10/2019 Beaulieu D34/15

* cited by examiner

Primary Examiner — Michael A. Pratt

(57) **CLAIM**

The ornamental design for a floor marking cart, as shown and described.

DESCRIPTION

The patent or application file contains at least one drawing executed in color. Copies of this patent or patent application publication with color drawing(s) will be provided by the Office upon request and payment of the necessary fee.

1. Floor marking cart

1.1: Front

1.2: Perspective

1.3: Top

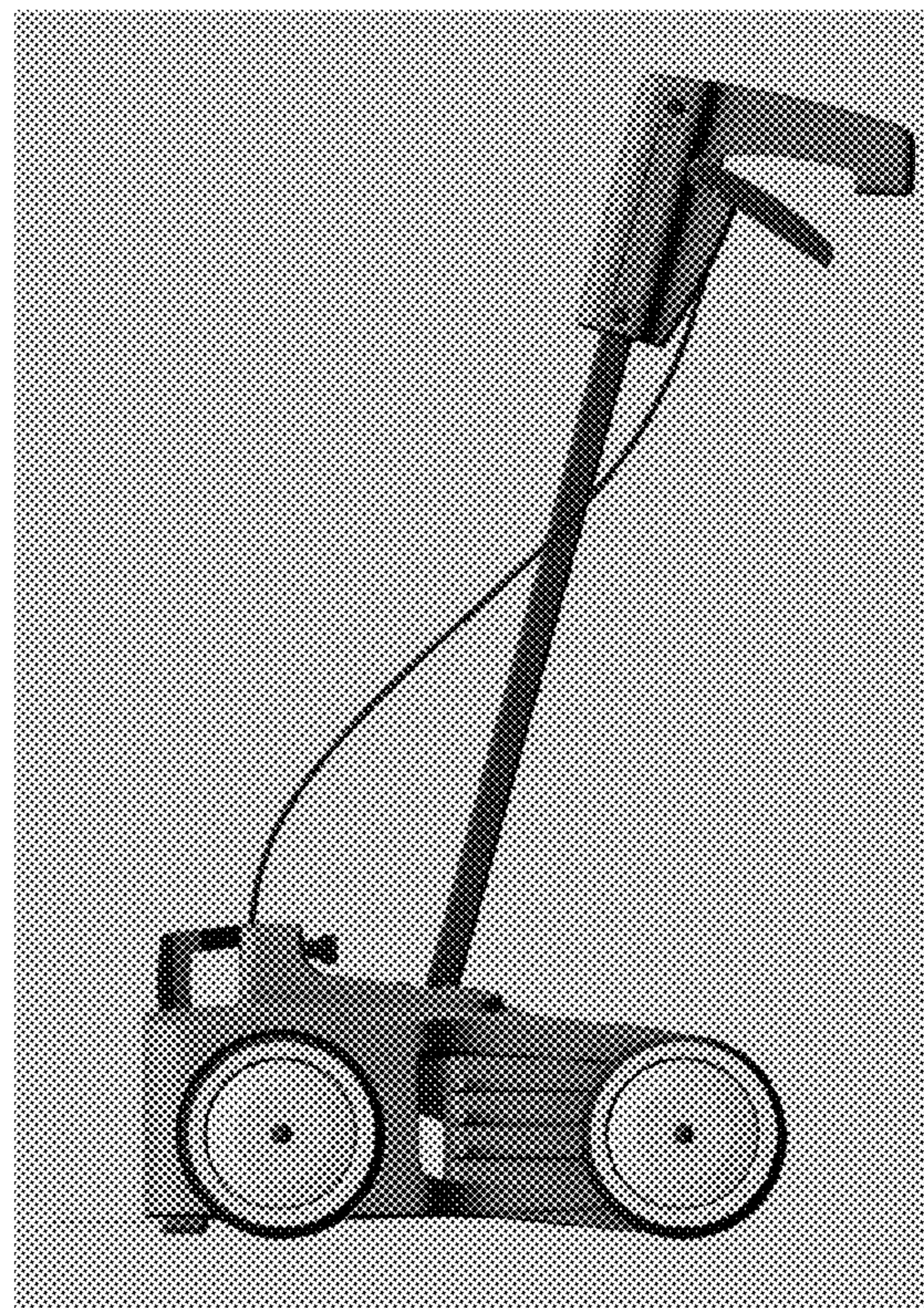
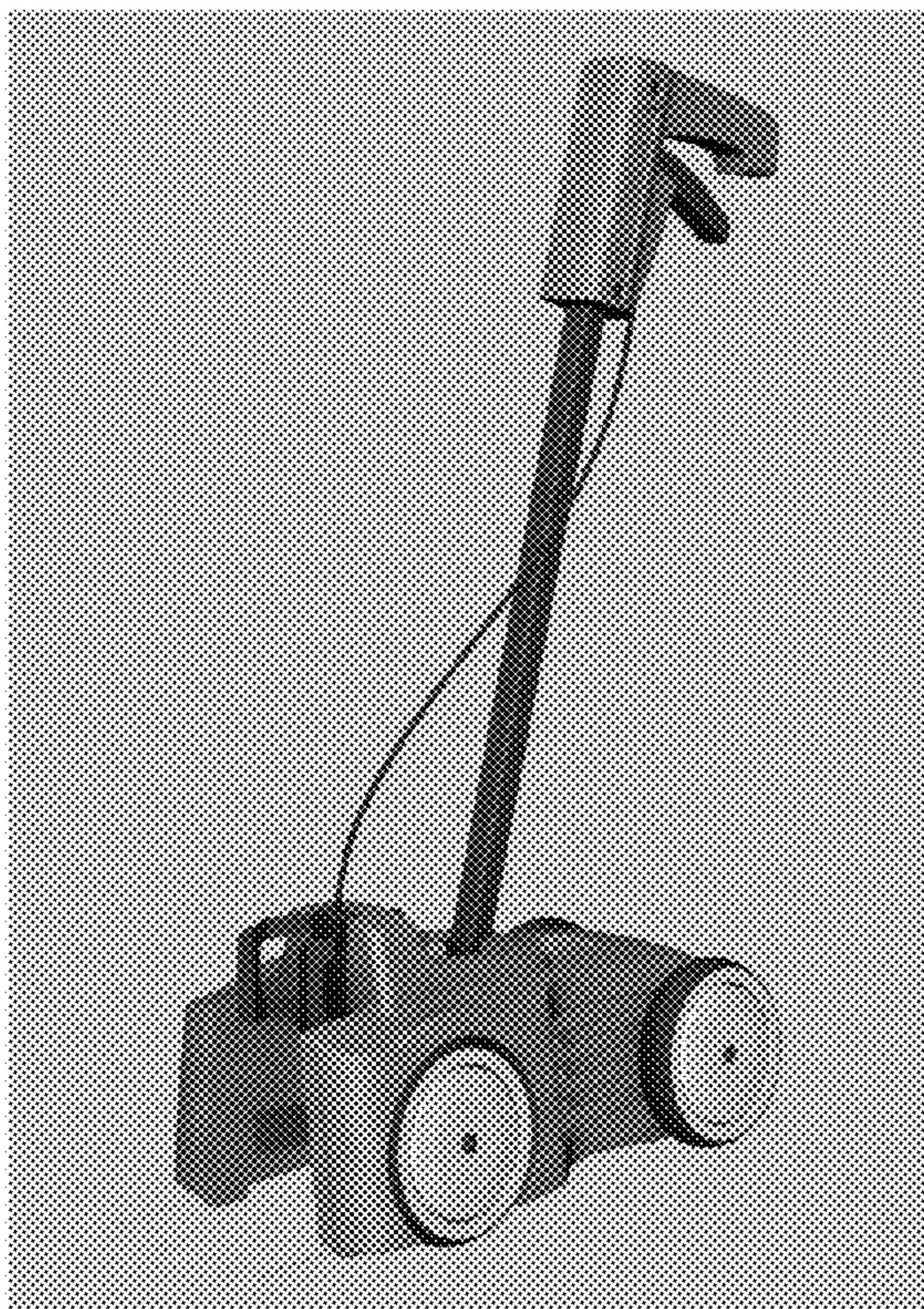
1.4: Right

1.5: Perspective and shown in a folded position

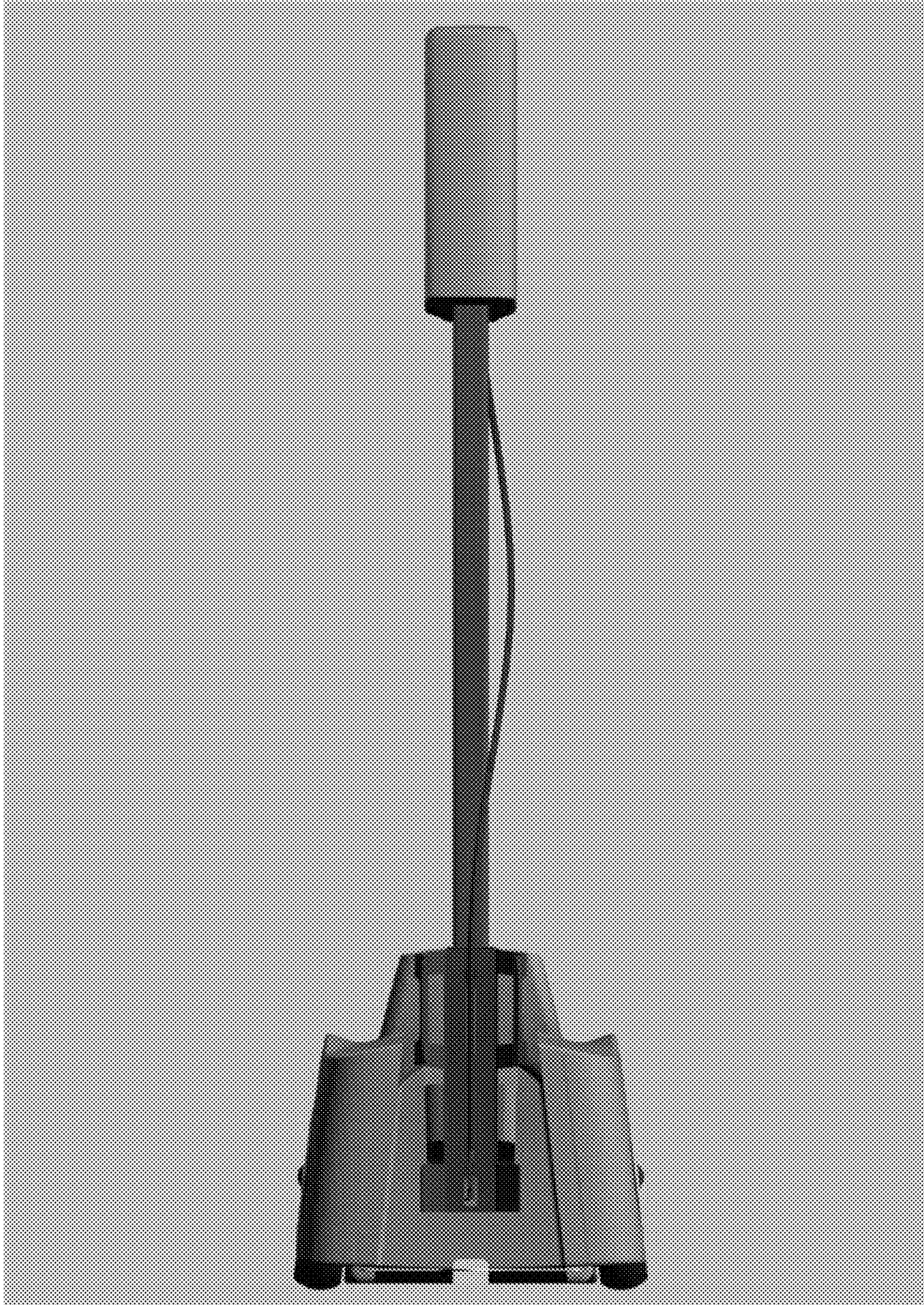
1.6: Rear

1.7: Perspective

1 Claim, 7 Drawing Sheets
(7 of 7 Drawing Sheet(s) Filed in Color)



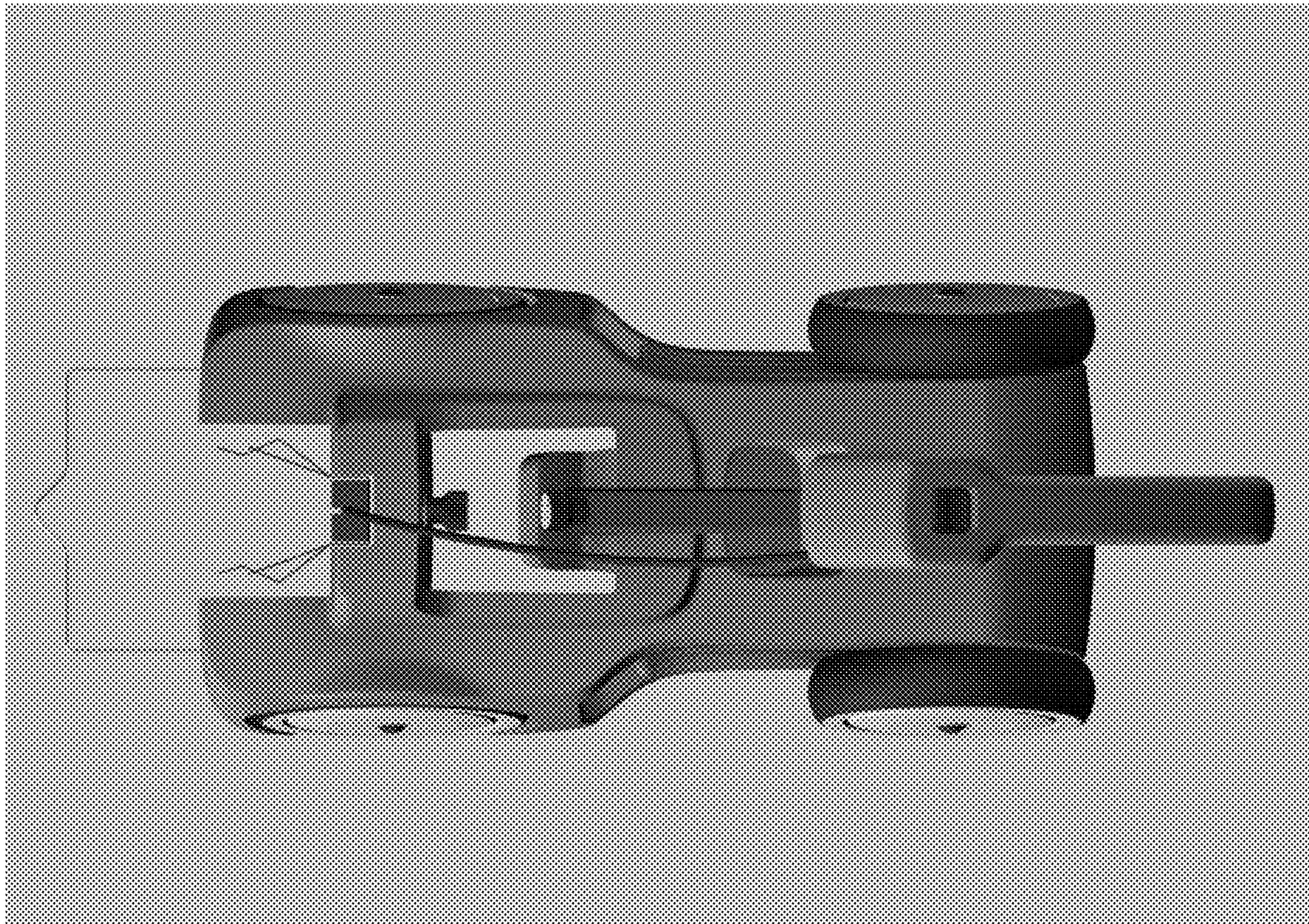
1.1



1.2



1.3



1.4



1.5



1.6



1.7

