



US00D953676S

(12) **United States Design Patent** (10) **Patent No.:** **US D953,676 S**
Sever (45) **Date of Patent:** **** May 31, 2022**

(54) **FUEL AND OIL FILTER REPLACEMENT PAIL**
(71) Applicant: **John Sever**, Villa Ridge, MO (US)
(72) Inventor: **John Sever**, Villa Ridge, MO (US)
(73) Assignee: **Husky Corporation**, Pacific, MO (US)
(**) Term: **15 Years**
(21) Appl. No.: **29/742,124**
(22) Filed: **Jan. 23, 2020**
(51) **LOC (13) Cl.** **07-05**
(52) **U.S. Cl.**
USPC **D32/53**
(58) **Field of Classification Search**
USPC D3/306; D7/523, 536, 510, 587;
D9/425; D10/46.2; D11/146, 155;
D15/145; D19/85; D34/1, 39
CPC B65F 1/085; B65F 1/0066; B65F 1/06;
F01M 11/0004; F16N 3/02; B60B 33/00;
A47J 41/0016
See application file for complete search history.

(56) **References Cited**

U.S. PATENT DOCUMENTS

3,120,911 A * 2/1964 De los coultman F16N 3/02
222/542
3,648,875 A * 3/1972 Lundgren B65F 1/06
220/495.09
3,904,218 A * 9/1975 Kostic B60B 33/00
280/79.2
5,101,997 A * 4/1992 Bagwell B65F 1/0066
220/23.4
5,367,718 A 11/1994 Ellis
5,375,862 A 12/1994 Sirianno
5,452,693 A * 9/1995 Clark F01M 11/0004
123/195 C
D399,622 S * 10/1998 Rashid D34/1

5,878,904 A * 3/1999 Schweigert B65F 1/085
220/23.88
6,062,389 A 5/2000 Ken
D483,918 S * 12/2003 Yeh D3/306
6,802,085 B2 10/2004 Catanescu et al.
D498,979 S * 11/2004 Bhavnani D7/510
D578,148 S * 10/2008 Anderson D15/145
D578,927 S * 10/2008 Brandstatter D11/146
D636,549 S 4/2011 Rockwell, III et al.
D651,248 S * 12/2011 Yuan D19/85
D659,586 S * 5/2012 Brandstatter D11/155
D673,812 S * 1/2013 Hauser D7/523
D679,545 S * 4/2013 Wolhendler D7/510
D708,481 S * 7/2014 Lin D7/523
D739,510 S 9/2015 Bullock

(Continued)

OTHER PUBLICATIONS

Pellet-Coal Hod Bucket <https://www.homedepot.com/p/US-Stove-3-Gal-Pellet-Coal-Hod-Bucket-PCH/303518282> (Year: 2021).*

(Continued)

Primary Examiner — Michelle E. Wilson
Assistant Examiner — Richard E Yenchesky
(74) *Attorney, Agent, or Firm* — Paul M. Denk

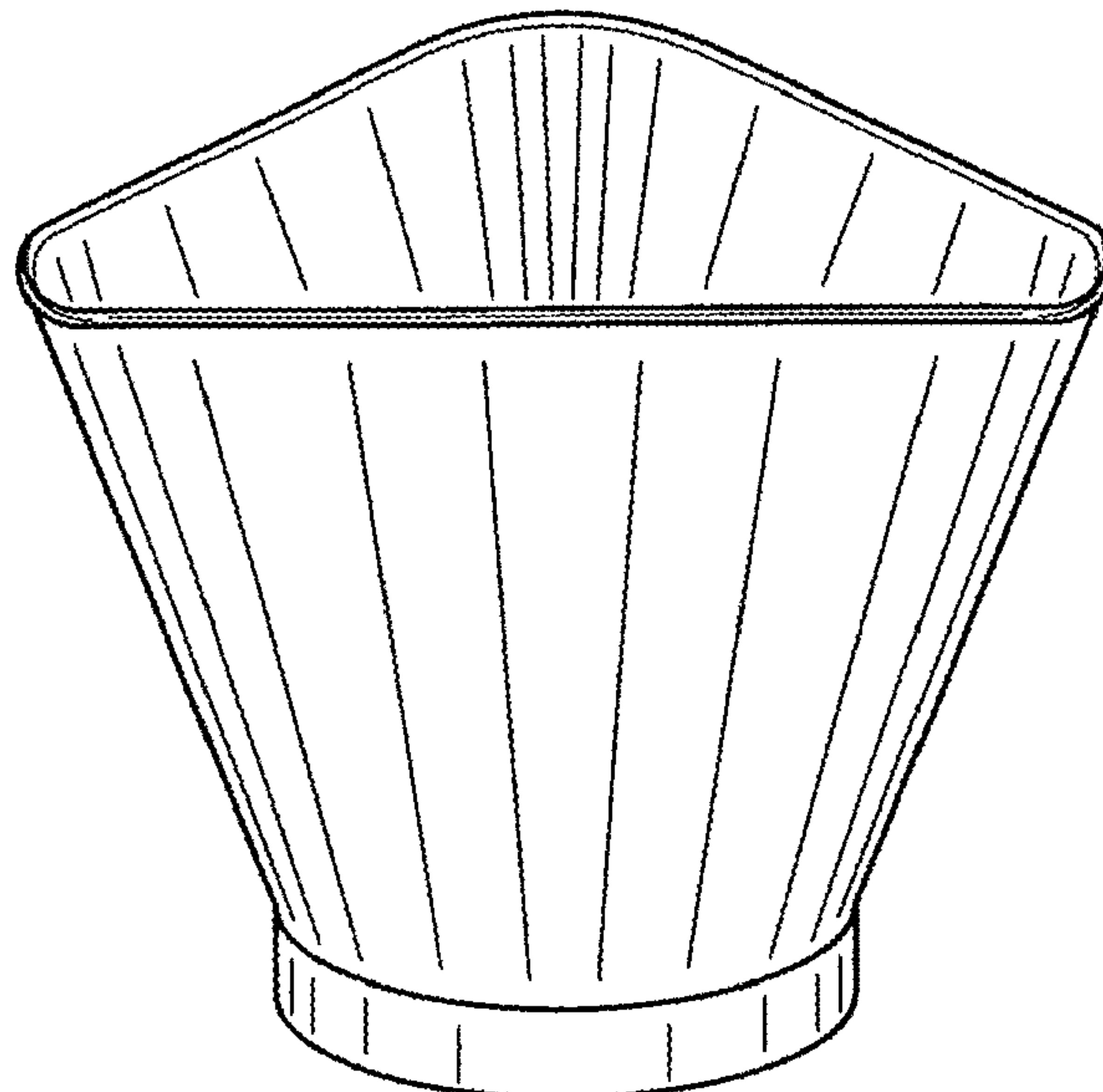
(57) **CLAIM**

The ornamental design for the fuel and oil filter replacement pail, as shown and described.

DESCRIPTION

FIG. 1 is an isometric view of the fuel and oil filter replacement pail, of this invention;
FIG. 2 is a front view thereof;
FIG. 3 is a back view thereof;
FIG. 4 is a top view;
FIG. 5 is a bottom view;
FIG. 6 is a left side view; and,
FIG. 7 is a right side view of the pail.

1 Claim, 2 Drawing Sheets



(56)

References Cited

U.S. PATENT DOCUMENTS

D742,257 S * 11/2015 Thompson D10/46.2
D742,696 S * 11/2015 Saari D7/536
D793,857 S * 8/2017 Rice D9/425
D812,429 S * 3/2018 McLaughlin D7/523
D812,430 S * 3/2018 McLaughlin D7/523
D872,406 S * 1/2020 Sutton D34/1
D898,518 S * 10/2020 Hudson D7/523
D907,444 S * 1/2021 Huang D7/587
2006/0124651 A1 * 6/2006 Bhavnani A47J 41/0016
220/592.17

OTHER PUBLICATIONS

Vikan 3-Gallon <https://nelsonjameson.com/VIKAN-3-Gallon-Flat-Sided-Pail-p3653.html> (Year: 2021).*

* cited by examiner

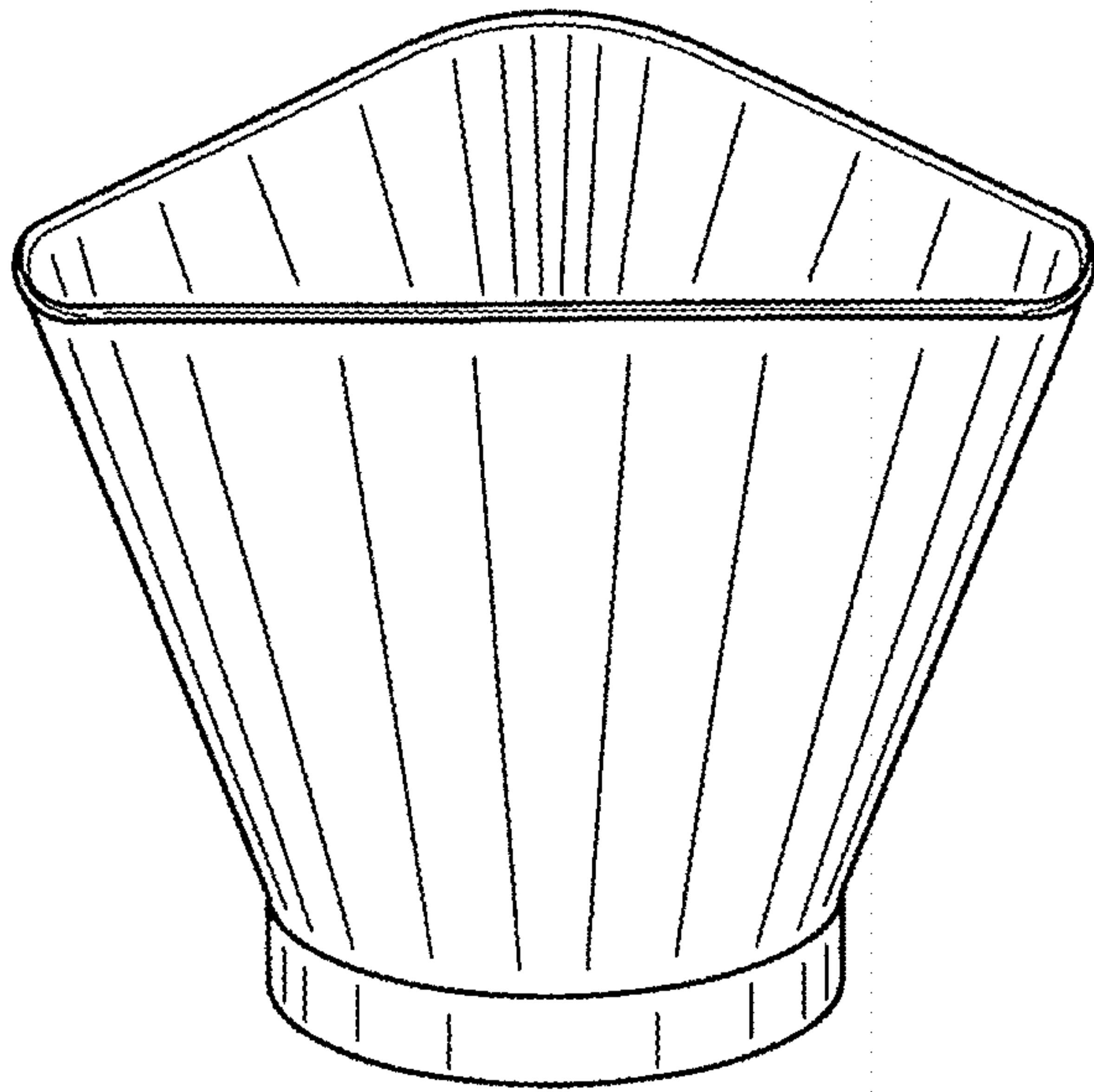


FIG. 1

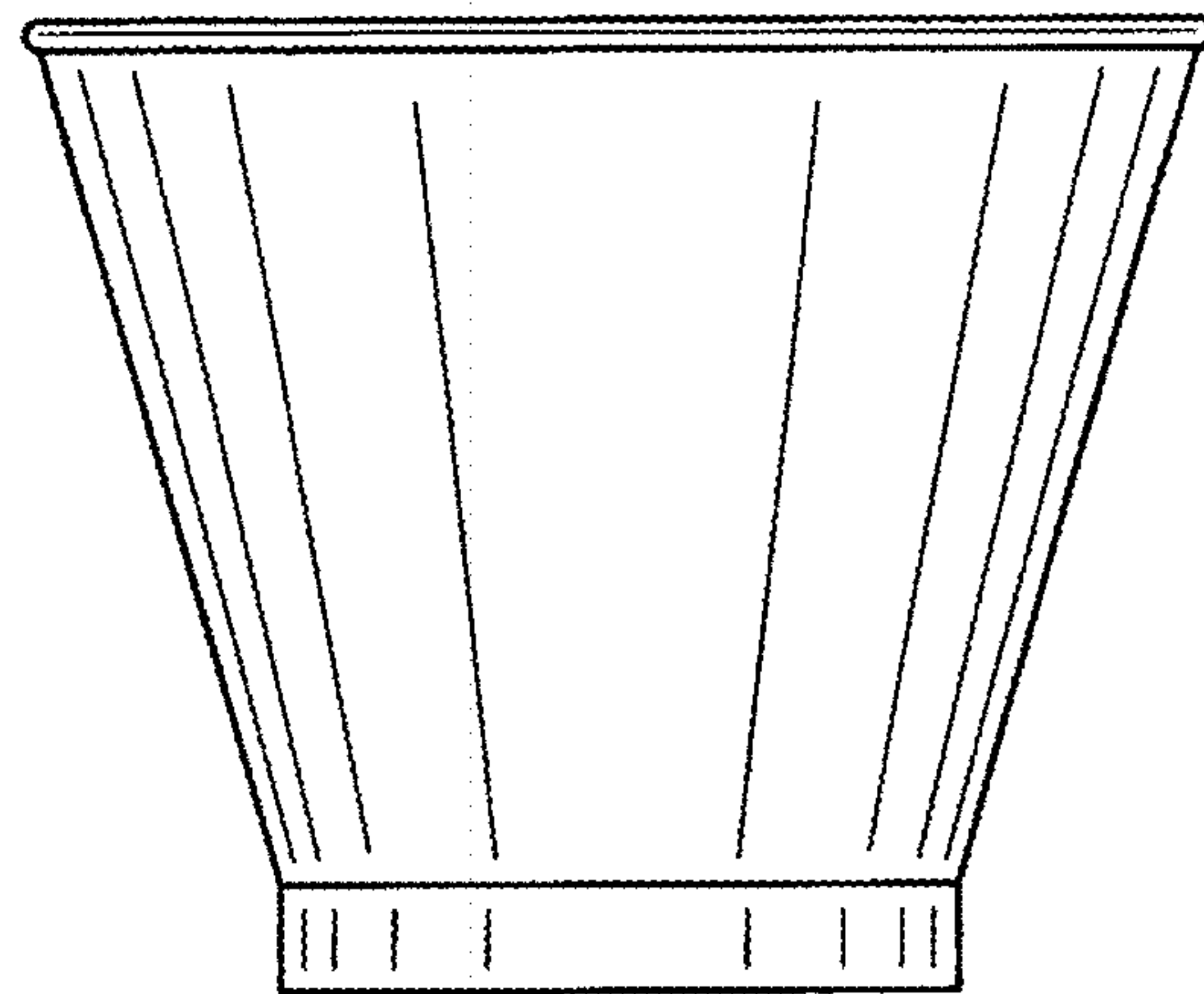


FIG. 2

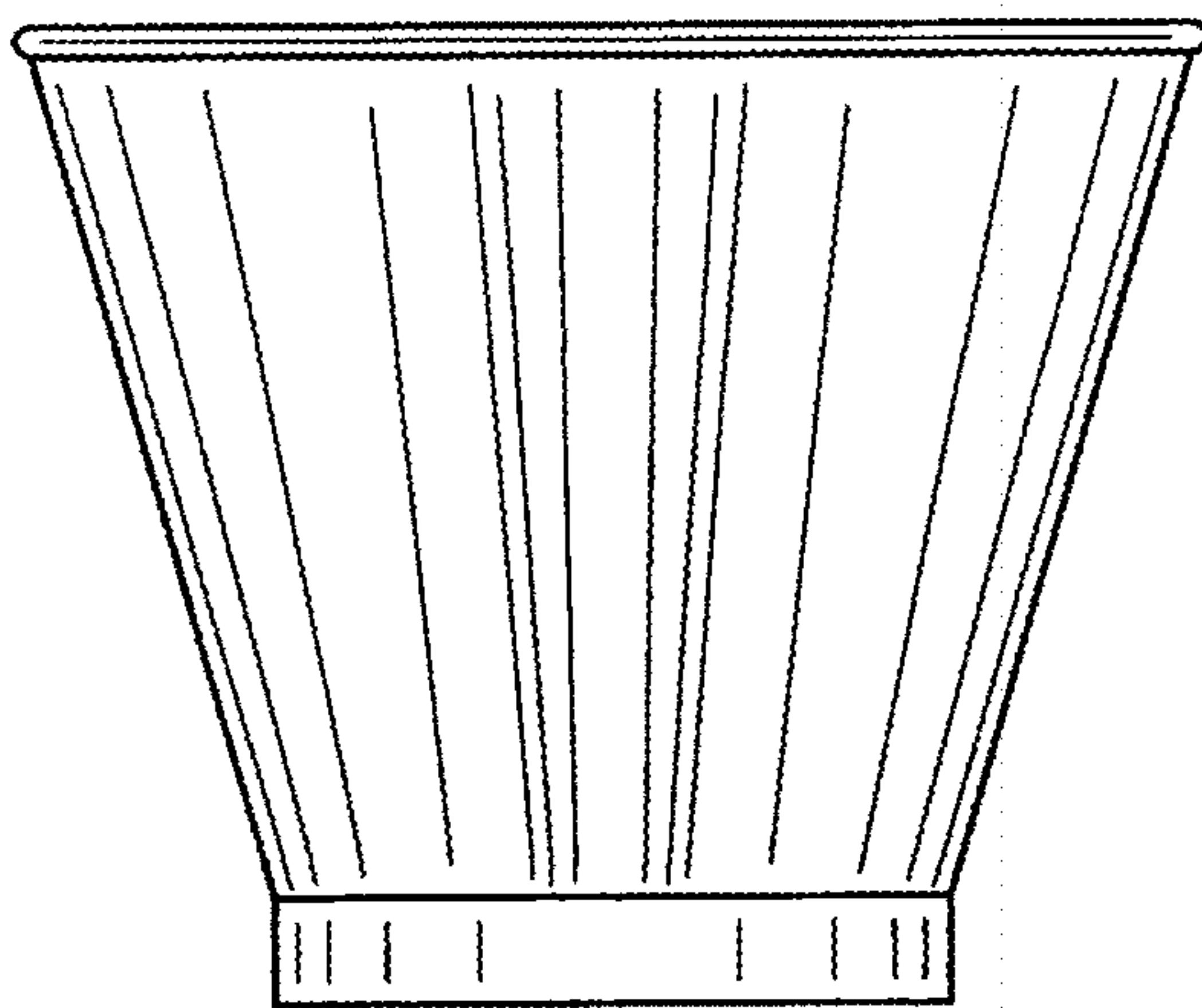


FIG. 3

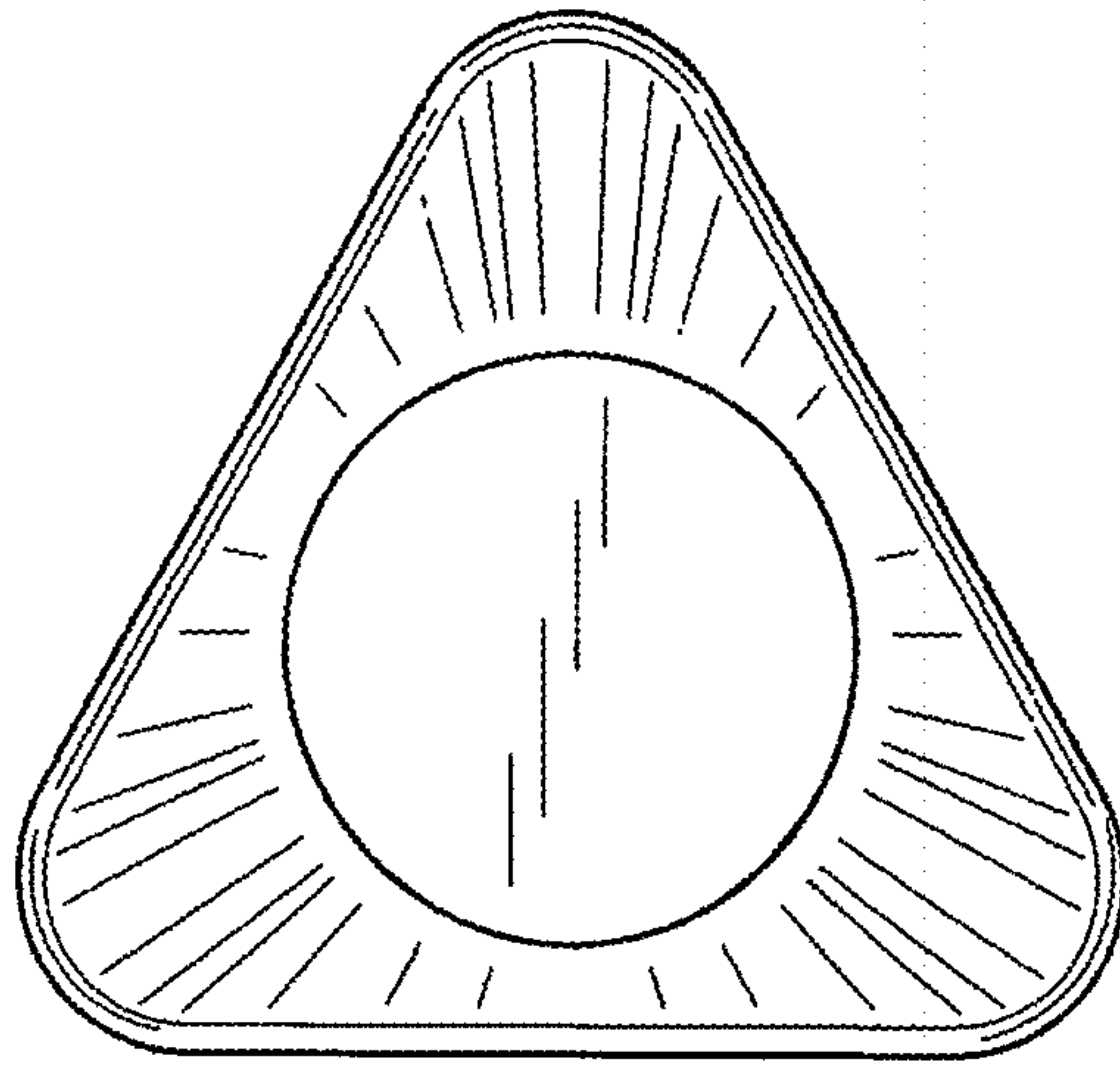


FIG. 4

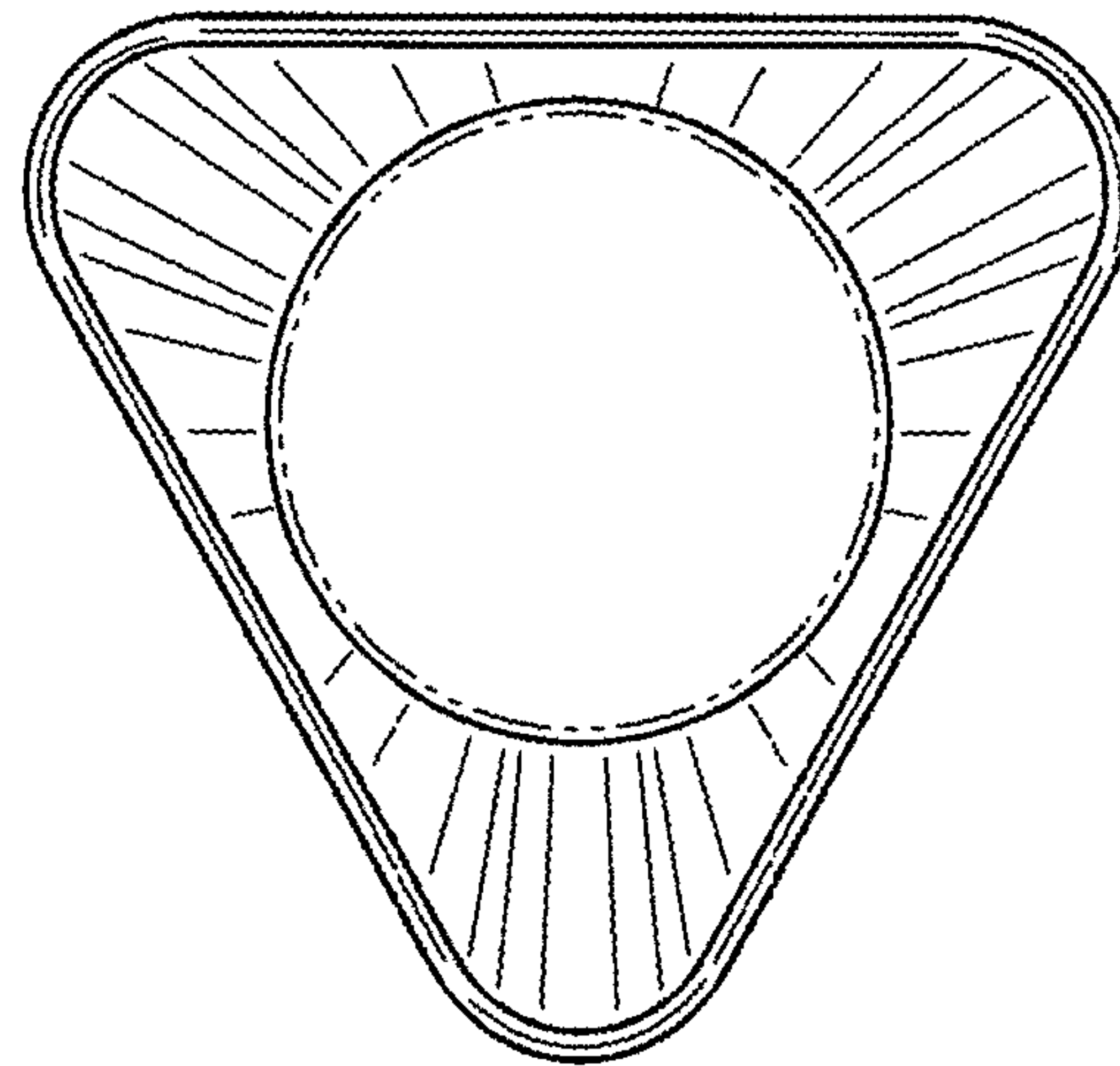


FIG. 5

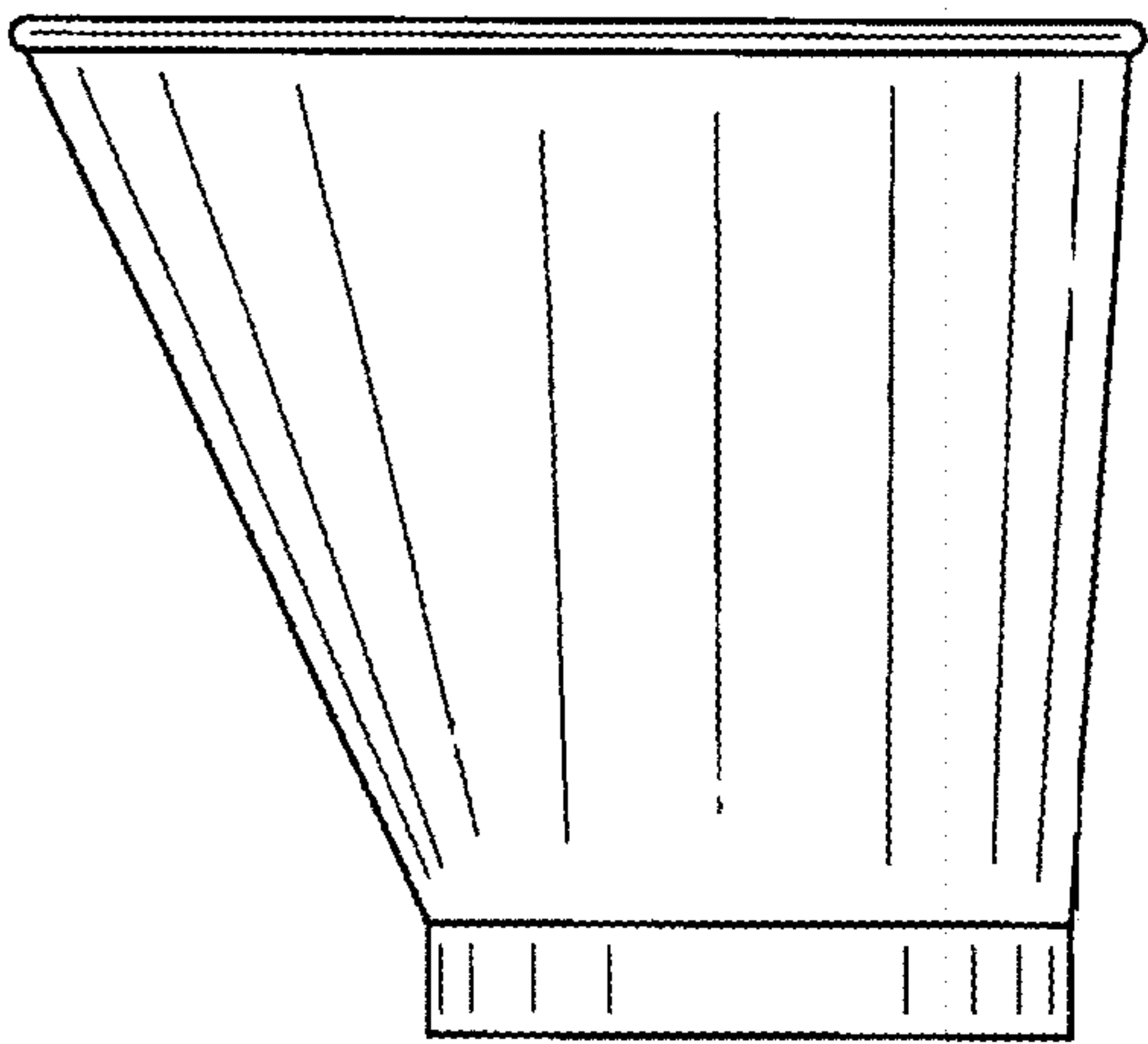


FIG. 6

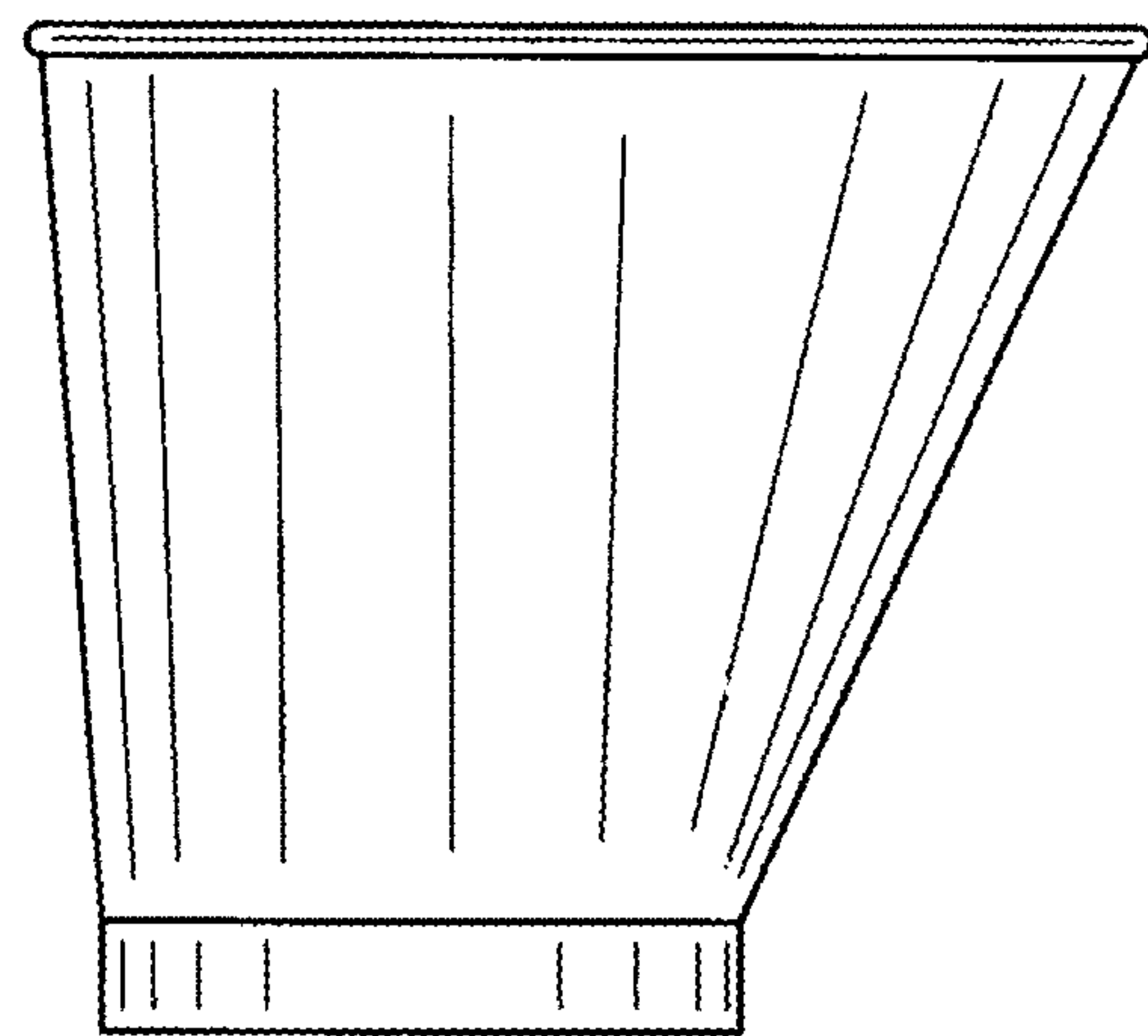


FIG. 7