



US00D953675S

(12) **United States Design Patent**
Villa et al.

(10) **Patent No.:** **US D953,675 S**
(45) **Date of Patent:** **** May 31, 2022**

(54) **SQUEEGEE**

FOREIGN PATENT DOCUMENTS

(71) Applicant: **The Regents of the University of California**, Oakland, CA (US)

IL D216251-003 * 9/2021

(72) Inventors: **Alessandro Villa**, San Francisco, CA (US); **Albert K. Chin**, Palo Alto, CA (US)

OTHER PUBLICATIONS

(73) Assignee: **The Regents of the University of California**, Oakland, CA (US)

“Window Squeegee” BITOPE., posted date Jun. 11, 2021 [online], [retrieved on Jan. 12, 2021]. Retrieved from the Internet <URL: <https://www.amazon.com/Rotatable-Squeegee-BITOPE-Extension-Windshield/dp/B0972M17RS?source=ps-sl-shoppingads-lpcontext&psc=1&msslkid=c53cf3645d5111ec95d5ca2914708e8a>> (Year: 2021).*

(**) Term: **15 Years**

“Unger Squeegee” Unger., posted date Jan. 16, 2007 [online], [retrieved on Jan. 12, 2021]. Retrieved from the Internet <URL: https://www.amazon.com/Unger-Professional-Microfiber-Window-Combi/dp/B000W8C14I/ref=sr_1_11?keywords=double%2BSqueegee&qid=1642035341&s=hpc&sr=1-11&th=1> (Year: 2007).*

(21) Appl. No.: **29/767,443**

(22) Filed: **Jan. 22, 2021**

(51) **LOC (13) Cl.** **07-05**

(52) **U.S. Cl.**
USPC **D32/41**

(58) **Field of Classification Search**
USPC D32/40–43, 46; D8/10–11; D4/118
CPC E01H 5/00; E01H 5/02; A47J 37/07; A47J 17/00; A47J 13/10; A47J 13/12; A47J 1/08; A47J 1/00
See application file for complete search history.

(Continued)

Primary Examiner — Darlington Ly

Assistant Examiner — Nasim Abdulaziz Ali

(74) *Attorney, Agent, or Firm* — Edward J. Baba; Bozicevic, Field & Francis LLP

(57) **CLAIM**

The ornamental design for a squeegee, as shown and described.

(56) **References Cited**

DESCRIPTION

U.S. PATENT DOCUMENTS

D515,262	S	*	2/2006	Hay	D32/41
D586,962	S	*	2/2009	Li	D32/41
D588,767	S	*	3/2009	Libman	D32/41
D627,532	S	*	11/2010	Yang	D32/41
D633,265	S	*	2/2011	Roschi	D32/41
D709,757	S	*	7/2014	Yang	D8/395
D773,141	S	*	11/2016	Chitayat	D32/41
D844,273	S	*	3/2019	Mitchell	A47L 13/11
						D32/41
D934,520	S	*	10/2021	Tyroler	D32/41
D936,317	S	*	11/2021	Libman	D32/41
2018/0110385	A1	*	4/2018	Buss	A47L 7/0009
2020/0288928	A1	*	9/2020	Derin	A47L 1/15

FIG. 1 is a rear elevation view of a squeegee embodying our new design;

FIG. 2 is a front elevation view thereof;

FIG. 3 is a right side elevation view thereof;

FIG. 4 is a left side elevation view thereof;

FIG. 5 is a top plan view of the squeegee;

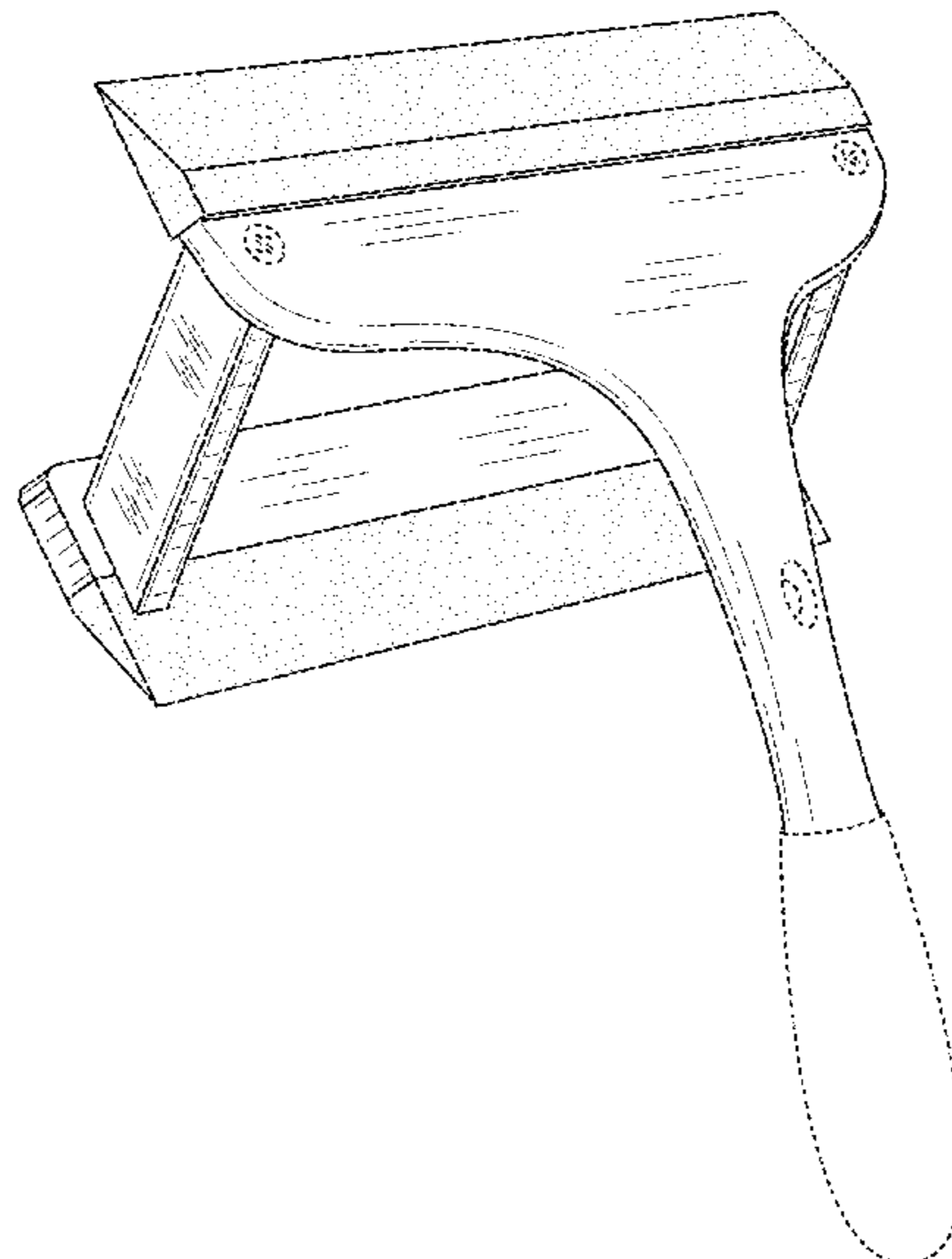
FIG. 6 is a bottom plan view thereof;

FIG. 7 is a top perspective view thereof; and,

FIG. 8 is a bottom perspective side view thereof.

The broken lines in the drawings illustrate portions of the squeegee that form no part of the claimed design.

1 Claim, 6 Drawing Sheets



(56)

References Cited

OTHER PUBLICATIONS

“ALFLOD Window Squeegee” ALFLOD., posted date Nov. 15, 2021 [online], [retrieved on Jan. 12, 2021]. Retrieved from the Internet <URL: https://www.amazon.com/ALFLOD-Squeegee-Professional-Extendable-Equipment/dp/B09LVFV2HN/ref=sr_1_17?keywords=2-in-1+Squeegee&qid=1642037084&s=hpc&sr=1-17> (Year: 2021).*

* cited by examiner

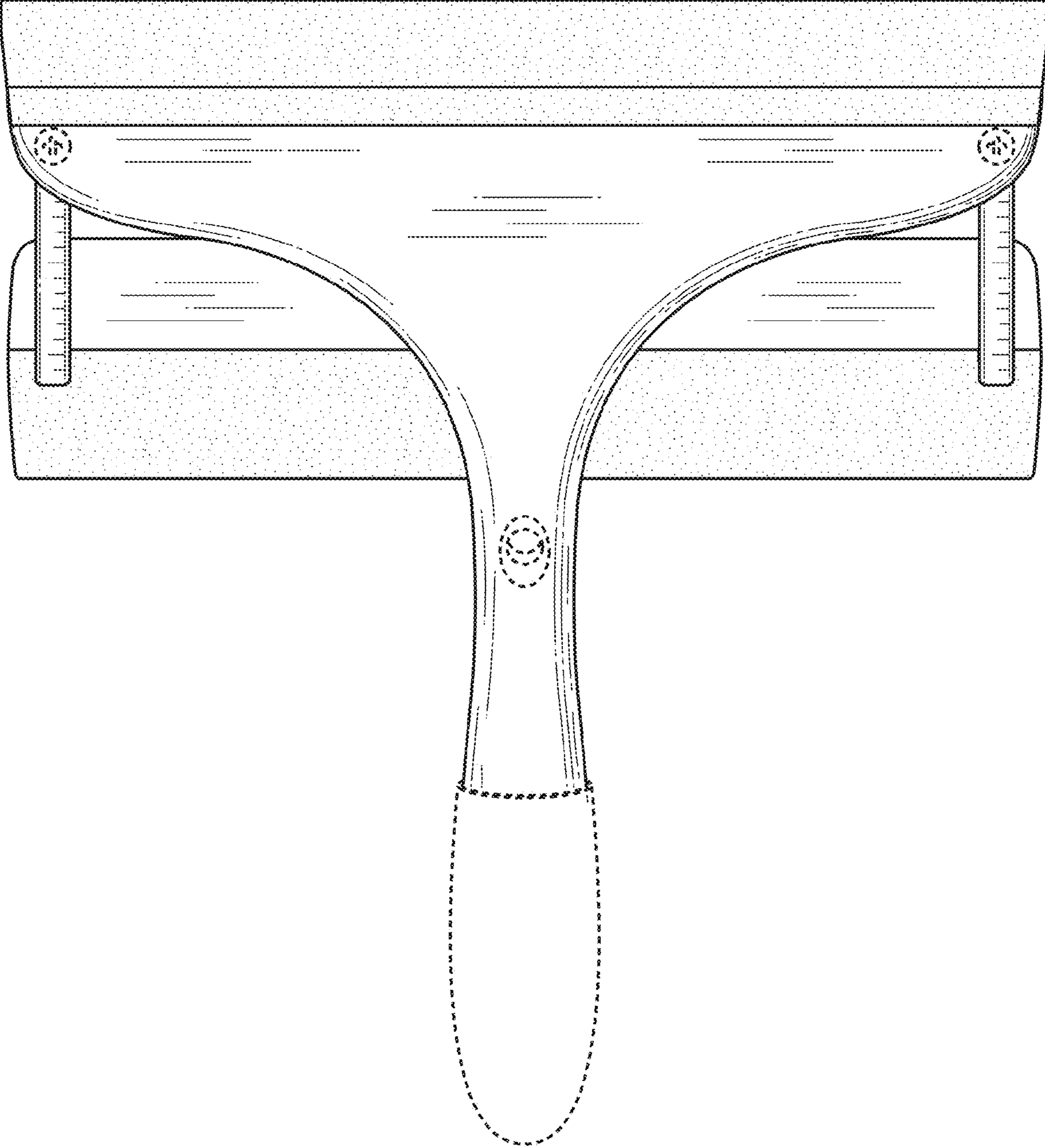


FIG. 1

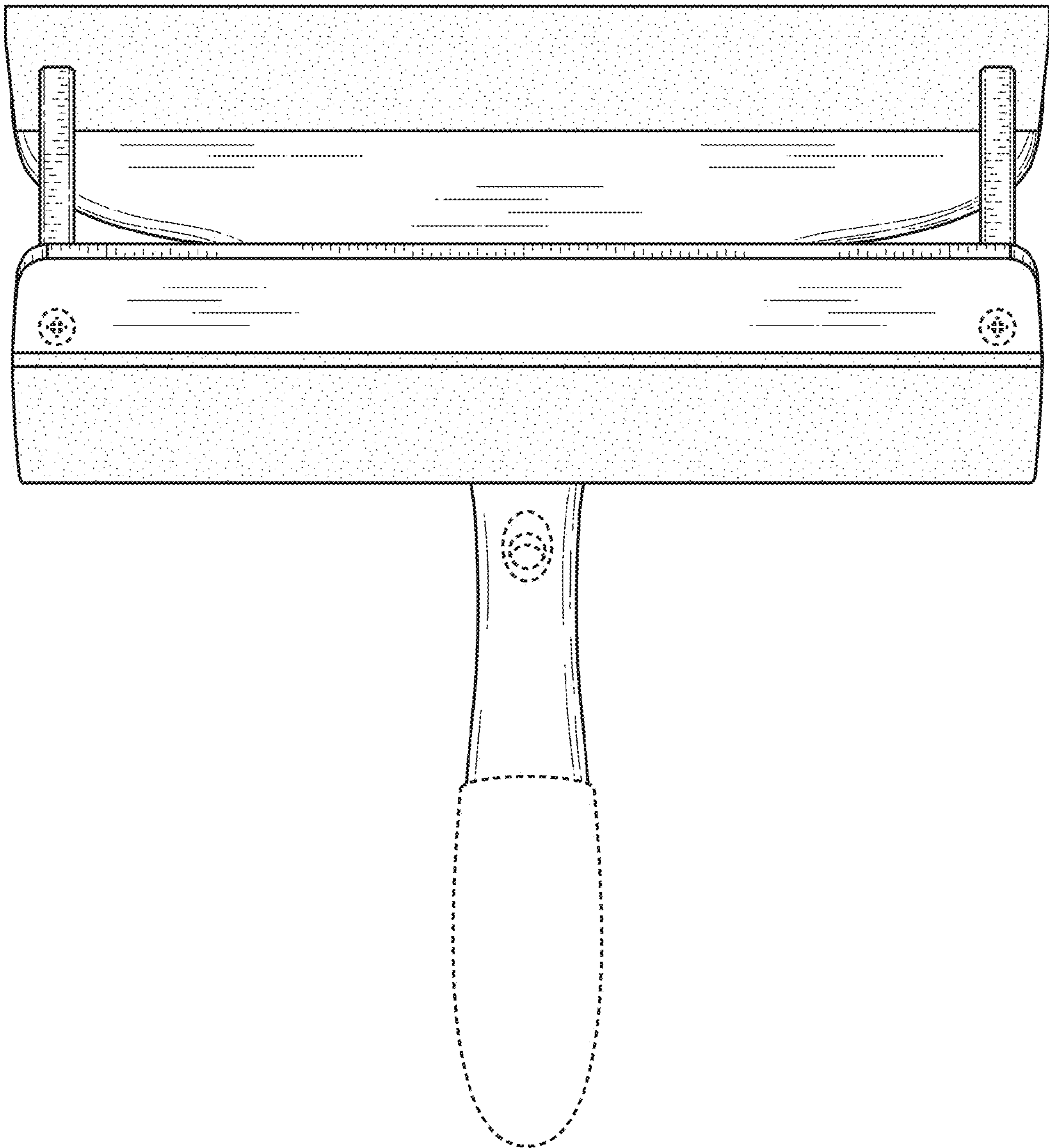


FIG. 2



FIG. 3

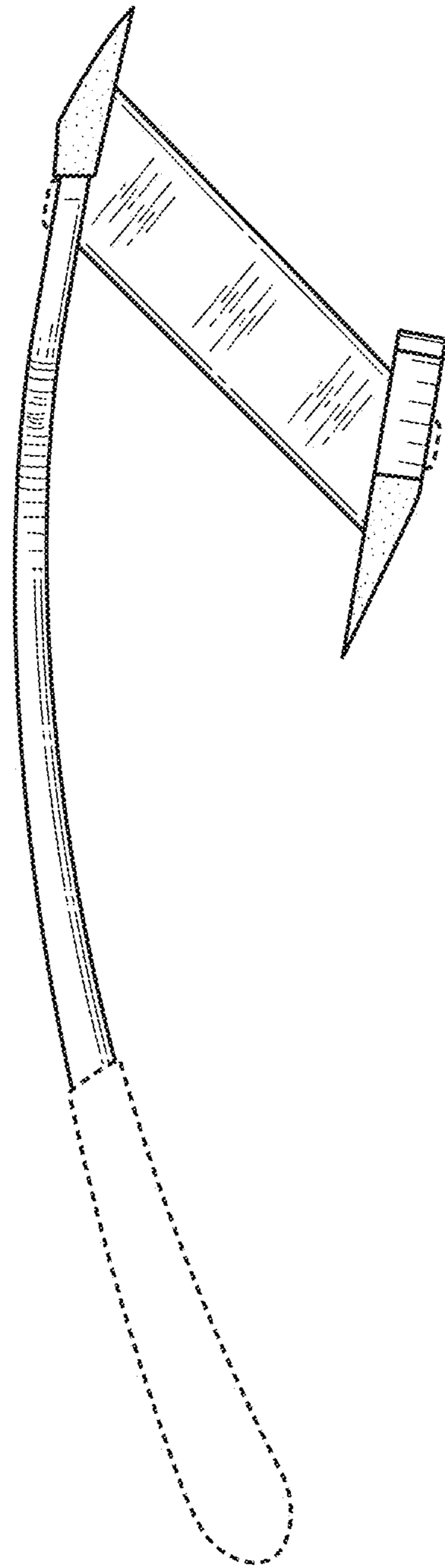


FIG. 4

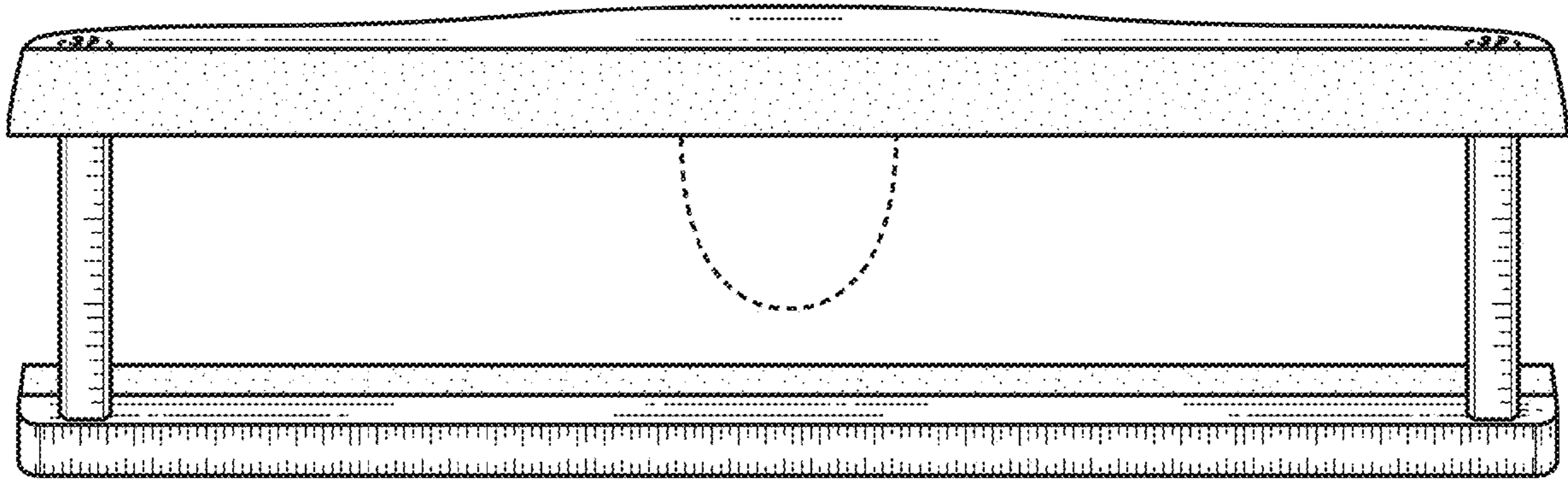


FIG. 5

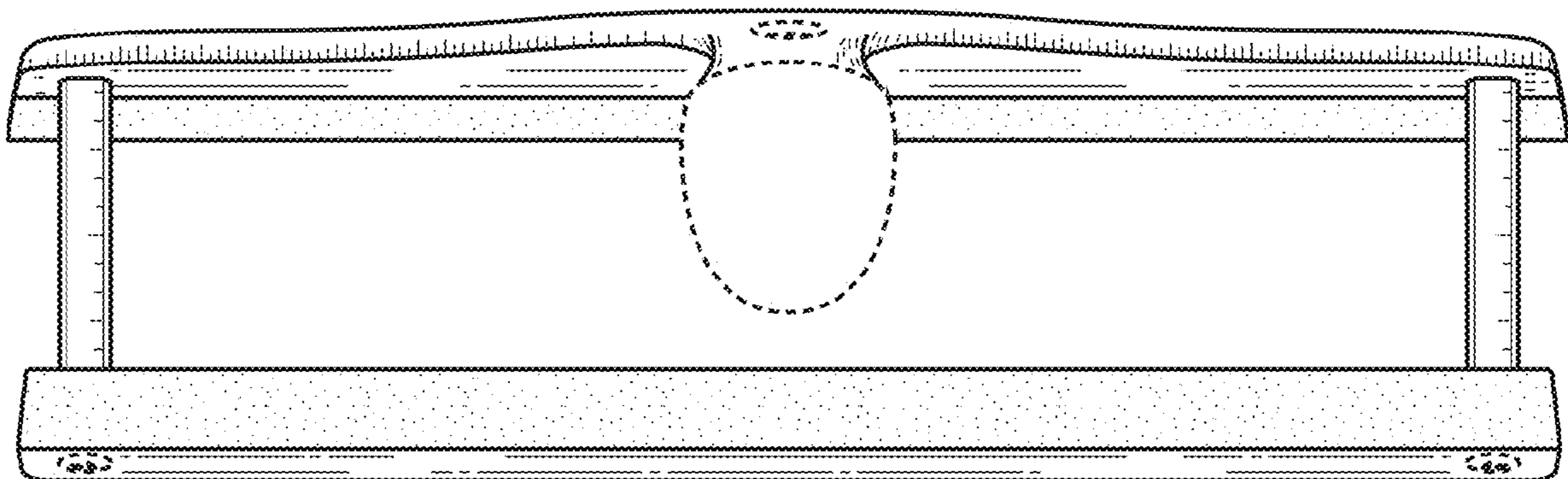


FIG. 6

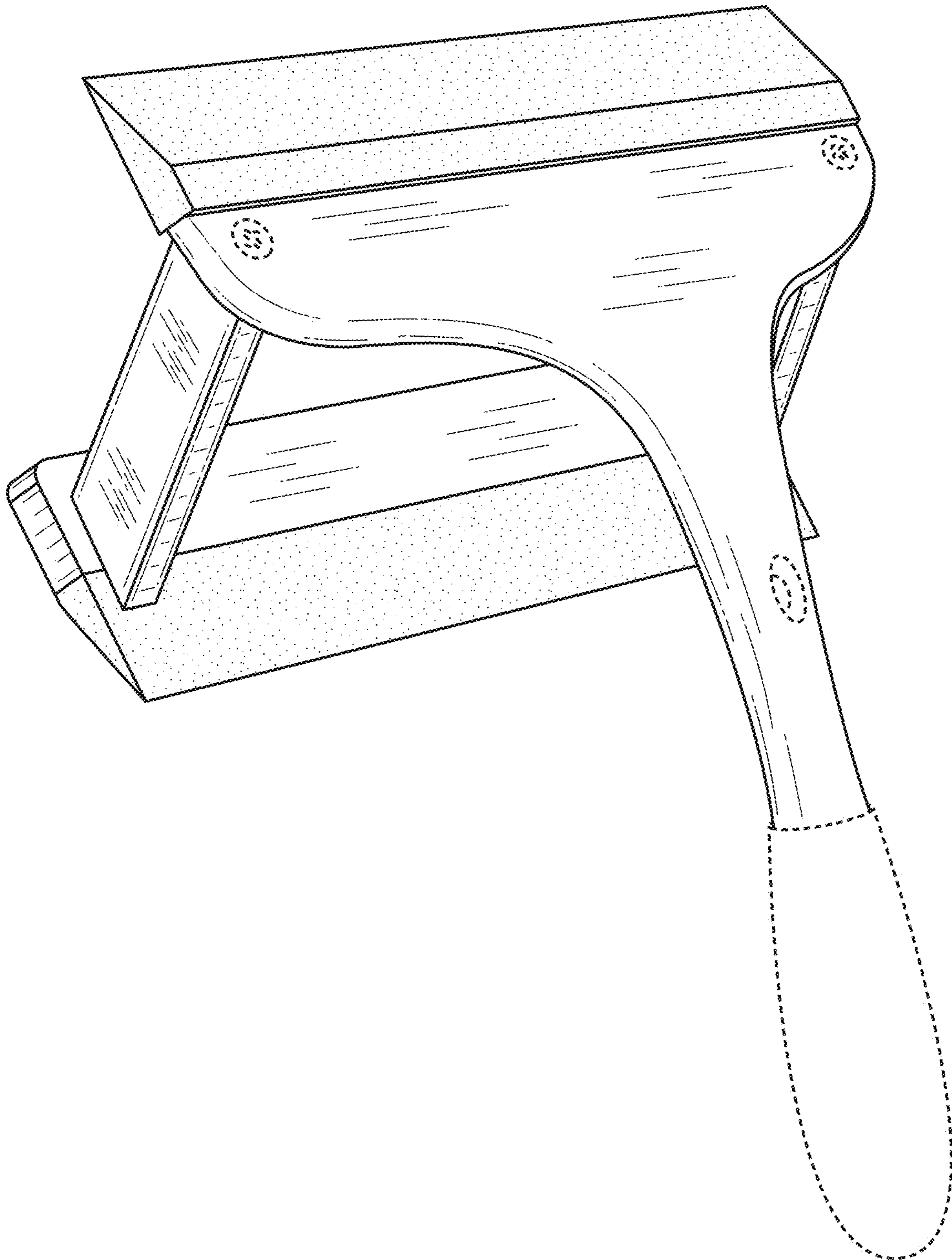


FIG. 7

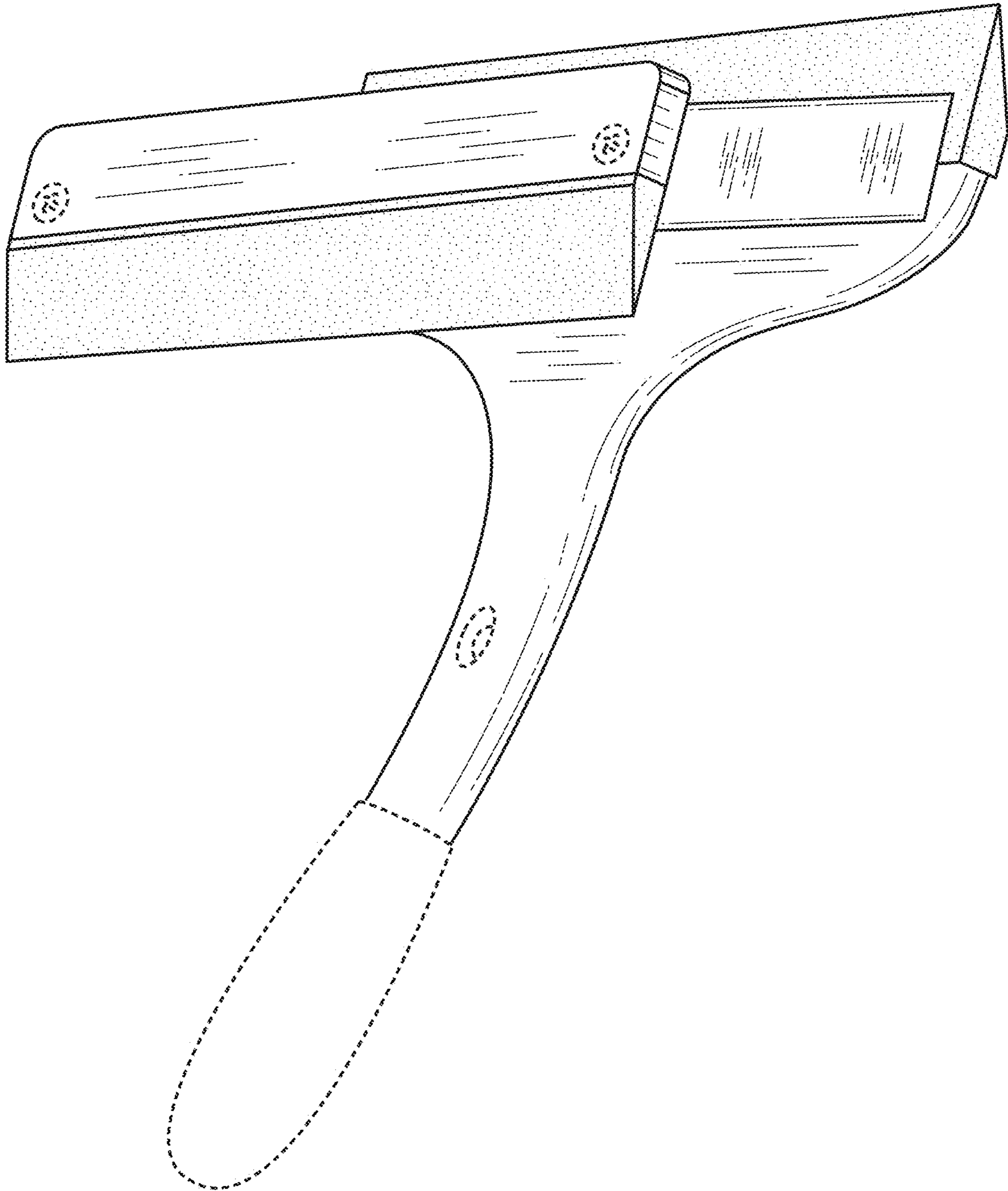


FIG. 8