



US00D953673S

(12) **United States Design Patent**
Roschi

(10) **Patent No.:** **US D953,673 S**

(45) **Date of Patent:** **** May 31, 2022**

(54) **HEAD OF A VACUUM CLEANER**

(71) Applicant: **NEW HERMES EUROPE S.r.l.**, Crosio della Valle (IT)

(72) Inventor: **Riccardo Roschi**, Crosio della Valle (IT)

(73) Assignee: **NEW HERMES EUROPE S.r.l.**, Crosio della Valle (IT)

(**) Term: **15 Years**

(21) Appl. No.: **29/746,547**

(22) Filed: **Aug. 14, 2020**

(30) **Foreign Application Priority Data**

Feb. 17, 2020 (EM) 007699285-0001
Feb. 17, 2020 (EM) 007699285-0002

(51) **LOC (13) Cl.** **15-05**

(52) **U.S. Cl.**
USPC **D32/32**

(58) **Field of Classification Search**
USPC D32/17-25, 31-34

(Continued)

(56) **References Cited**

U.S. PATENT DOCUMENTS

2,203,088 A 6/1940 Hansson
2,249,463 A 7/1941 Dunbar

(Continued)

FOREIGN PATENT DOCUMENTS

DE 16 28 579 A 2/1971
DE 89 01 995 U1 8/1990

(Continued)

OTHER PUBLICATIONS

English translation of EP 2449934A2 provided by EspaceNet.

(Continued)

Primary Examiner — Kimberly Barnes

(74) *Attorney, Agent, or Firm* — Nixon & Vanderhye P.C.

(57) **CLAIM**

The ornamental design for a head of a vacuum cleaner, as shown and described.

DESCRIPTION

FIG. 1 is a front perspective view of a head of a vacuum cleaner in accordance with a first embodiment of my new design;

FIG. 2 is a top view of the embodiment of FIG. 1;

FIG. 3 is a front elevation view of the embodiment of FIG. 1;

FIG. 4 is a rear elevation view of the embodiment of FIG. 1;

FIG. 5 is a right side elevation view of the embodiment of FIG. 1;

FIG. 6 is a left side elevation view of the embodiment of FIG. 1;

FIG. 7 is a rear perspective view of the embodiment of FIG. 1.

FIG. 8 is a front perspective view of a head of a vacuum cleaner in accordance with a second embodiment of my new design;

FIG. 9 is a top view of the embodiment of FIG. 8;

FIG. 10 is a front elevation view of the embodiment of FIG. 8;

FIG. 11 is a rear elevation view of the embodiment of FIG. 8;

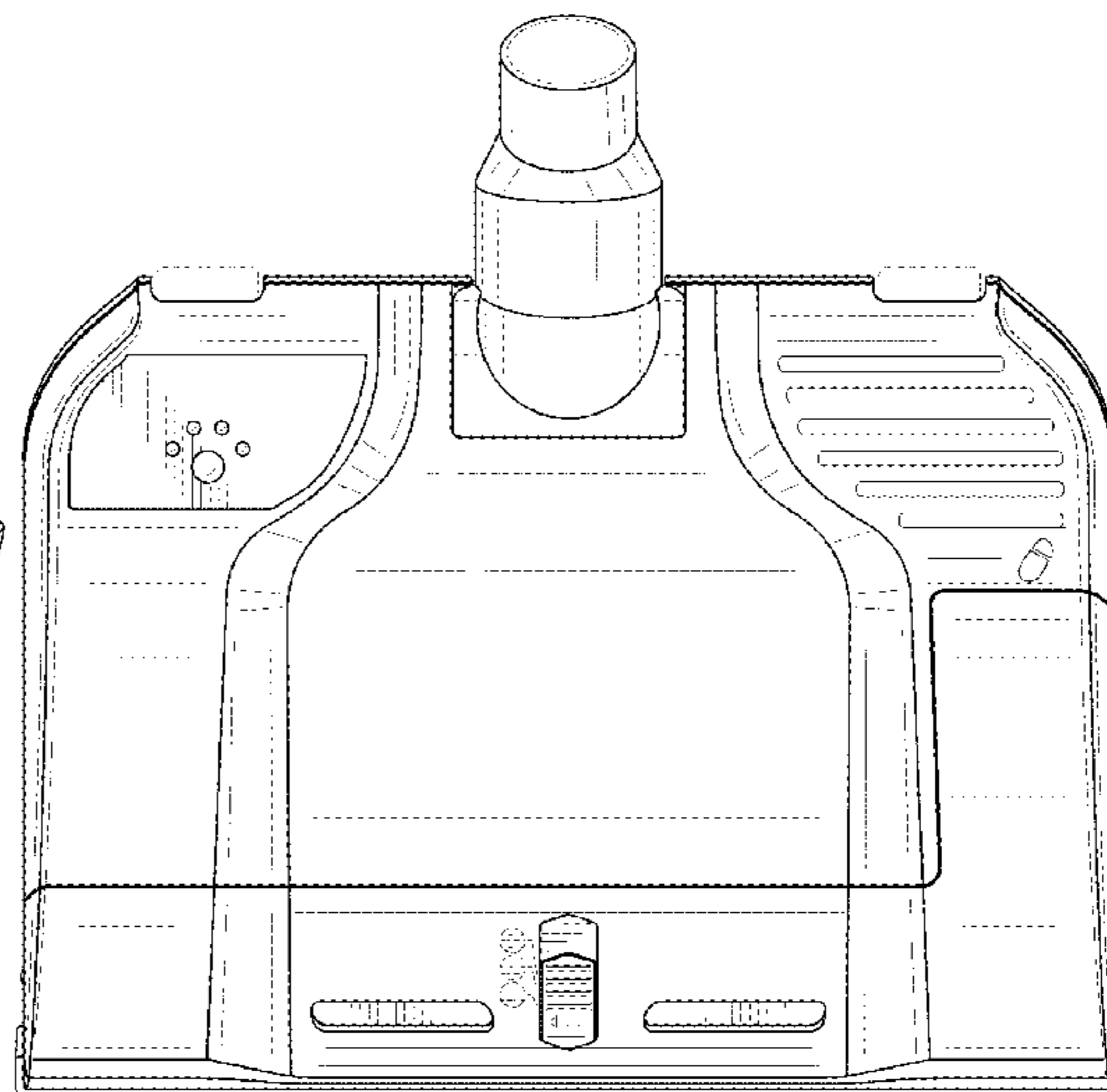
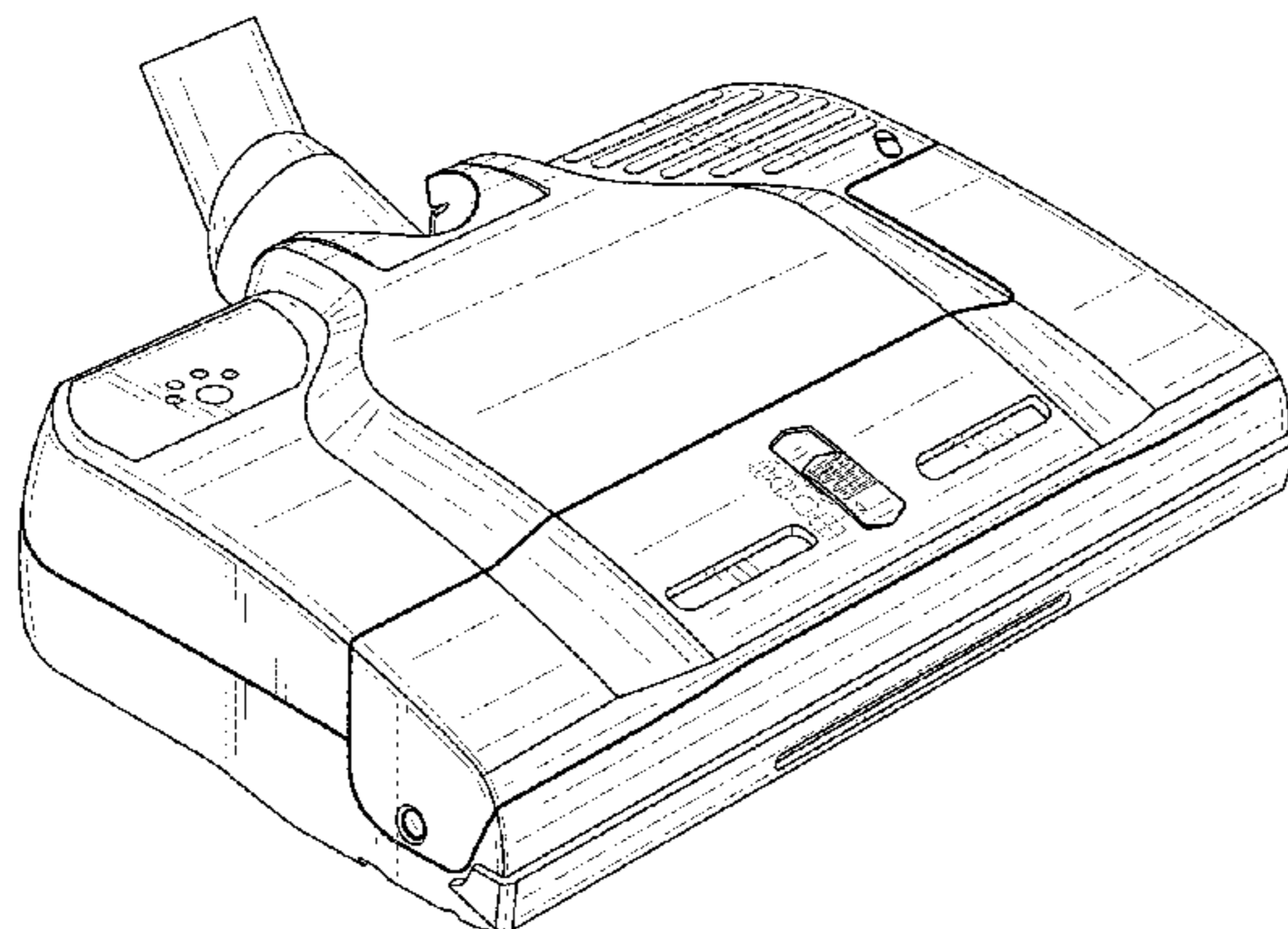
FIG. 12 is a right side elevation view of the embodiment of FIG. 8;

FIG. 13 is a left side elevation view of the embodiment of FIG. 8; and,

FIG. 14 is a rear perspective view of the embodiment of FIG. 8.

The broken lines shown in the drawings depict portions of the head of a vacuum cleaner that form no part of the claimed design.

1 Claim, 10 Drawing Sheets



US D953,673 S

(58) **Field of Classification Search**

CPC A47L 7/00; A47L 9/02; A47L 5/28; A47L 9/102; A47L 9/1608; A47L 9/1683; A47L 5/30; A47L 9/00; A47L 9/04; A47L 9/0422; A47L 9/0461; A47L 9/06; A47L 9/0488; A47L 11/00; A47L 11/20; A47L 11/22; A47L 11/24; A47L 11/32; A47L 11/302; A47L 11/40

See application file for complete search history.

(56) **References Cited**

U.S. PATENT DOCUMENTS

2,416,418 A	2/1947	Taylor	
2,627,623 A	2/1953	Humphrey	
2,915,774 A	12/1959	Darrow	
3,855,666 A	12/1974	Erikson et al.	
4,319,379 A	3/1982	Carrigan et al.	
4,336,628 A	6/1982	Bradshaw et al.	
4,564,972 A	1/1986	Varin	
4,777,696 A	10/1988	Hawley et al.	
5,008,973 A	4/1991	Worwag	
D331,991 S *	12/1992	Wright	D32/32
D333,539 S	2/1993	Kramer et al.	
5,249,333 A	10/1993	Worwag	
5,293,665 A	3/1994	Worwag	
5,416,948 A	5/1995	Worwag	
5,539,953 A	7/1996	Kurz	
D392,780 S	3/1998	Holsten et al.	
5,740,839 A	4/1998	Kuo et al.	
5,875,517 A	3/1999	Fust et al.	
D424,766 S	5/2000	Martin	
6,101,668 A	8/2000	Grey	
D456,967 S	5/2002	Santiago	
D457,696 S	5/2002	Worwag	
6,519,810 B2	2/2003	Kim	
6,571,424 B2	6/2003	Roschi	
D484,287 S	12/2003	Murphy et al.	
D507,854 S	7/2005	Kim	
D518,259 S	3/2006	Wertz	
D522,197 S	5/2006	Dyson et al.	
7,069,620 B2	7/2006	Bagwell	
D543,669 S	5/2007	Ikeno et al.	
7,222,393 B2	5/2007	Kaffenberger et al.	
7,251,856 B2	8/2007	Kaffenberger et al.	
D556,963 S	12/2007	Houghton	
D599,065 S	8/2009	Roschi	
7,757,345 B2	7/2010	Roschi et al.	
D621,564 S *	8/2010	Kaffenberger	D32/32
D621,567 S	8/2010	Crawley	
7,765,638 B2	8/2010	Pineschi et al.	
D649,725 S	11/2011	Fjellman	
D655,468 S *	3/2012	Karsan	D32/33
D671,283 S *	11/2012	Paterson	D32/22
D672,103 S	12/2012	Dyson	
D738,583 S *	9/2015	Gidwell	D32/32
D741,559 S	10/2015	Marscen	
D770,109 S *	10/2016	Chu, Jr.	D32/32
D770,711 S	11/2016	Okada	
D772,510 S *	11/2016	Palladino	D32/31
D775,443 S	12/2016	Kwoon	
D778,517 S *	2/2017	Perin	D32/32
D779,751 S *	2/2017	Chu	D32/32
D787,766 S	5/2017	Nam	
D789,007 S	6/2017	Jang	
D796,136 S	8/2017	Reynolds	
D806,964 S	1/2018	Nam	
D807,603 S	1/2018	Roschi	
10,238,254 B2	3/2019	Roschi	
D871,000 S *	12/2019	Johnson	D32/32
D900,420 S	10/2020	Roschi	
D914,306 S *	3/2021	Knapp	D32/31
D924,509 S *	7/2021	Niedzwecki	D32/22
2001/0011404 A1	8/2001	Roschi	
2001/0037536 A1	11/2001	Kim	
2002/0083552 A1	7/2002	Dilger et al.	

2005/0262659 A1	12/2005	Roschi et al.	
2005/0262662 A1	12/2005	Roschi et al.	
2006/0000053 A1	1/2006	Lim et al.	
2006/0137134 A1	6/2006	Dilger	
2007/0124891 A1	6/2007	Lee	
2007/0143954 A1	6/2007	Graham	
2010/0319159 A1	12/2010	Gell	
2011/0047744 A1	3/2011	Bozzelli	
2012/0216361 A1	8/2012	Millington	
2014/0033473 A1	2/2014	McVey	
2016/0150927 A1	6/2016	Prosser	
2017/0280956 A1	10/2017	Roschi	
2017/0319026 A1	11/2017	Roschi	
2018/0333736 A1	11/2018	Krebs	
2019/0174981 A1	6/2019	Roschi	
2019/0174983 A1	6/2019	Roschi	
2021/0161349 A1*	6/2021	Davila	A47L 11/201

FOREIGN PATENT DOCUMENTS

DE	40 28 113 A	3/1992
DE	41 05 012	10/1992
DE	44 13 071	10/1995
DE	296 08 726 U	7/1996
DE	196 17 415 A	11/1997
DE	19704796 C1	1/1998
DE	19906137 C1	7/2000
DE	199 12 651	9/2000
EP	0 235 614	9/1987
EP	0 315 068	5/1989
EP	0 552 652 A	7/1993
EP	0 630 604 A	12/1994
EP	0 737 437 A	10/1996
EP	1116470 A1	7/2001
EP	1210898 A1	6/2002
EP	1 238 620 A	9/2002
EP	1 367 931 B1	8/2004
EP	1 600 091	11/2005
EP	1 600 091 A1	11/2005
EP	1595485 A1	11/2005
EP	1 964 501	9/2008
EP	2 092 869	8/2009
EP	2449934 A2	5/2012
EP	2 944 242	11/2015
EP	2 944 242 A1	11/2015
EP	2 995 234	3/2016
EP	3 047 775	7/2016
EP	3 207 848	8/2017
FR	2 483 766 A	12/1981
GB	2 072 495 A	10/1981
GB	2 471 918	1/2011
GB	2 496 663	5/2013
JP	D1581451	7/2017
WO	99/65376	12/1999
WO	WO 00/65978	11/2000
WO	02/26097	4/2002
WO	02/071911	9/2002
WO	WO 2005/096907	10/2005

OTHER PUBLICATIONS

English translation of DE 16704796C1 provided by EspaceeNet.
European Standard EN 60312-1, Vacuum cleaners for household use—Part 1: Dry vacuum cleaners—Methods for measuring the performance (IEC 603121-1:2010, modified + A1:2011, modified) Feb. 2017.
Search Report for IT UA20163223 dated Nov. 23, 2016, 2 pages.
Design U.S. Appl. No. 29/683,960, filed Mar. 18, 2019, entitled “Accessories For Vacuum Cleaners”.
Notice of Allowance dated Feb. 12, 2021 in Design U.S. Appl. No. 29/683,960.
Quayle Action mailed Dec. 14, 2020 in Design U.S. Appl. No. 29/683,960.
https://www.amazon.com/Penn-Plax-VacGroom-Grooming-Attachment/dp/B01ACBHMEI/ref=sr_1_2 (Year: 2020).

* cited by examiner

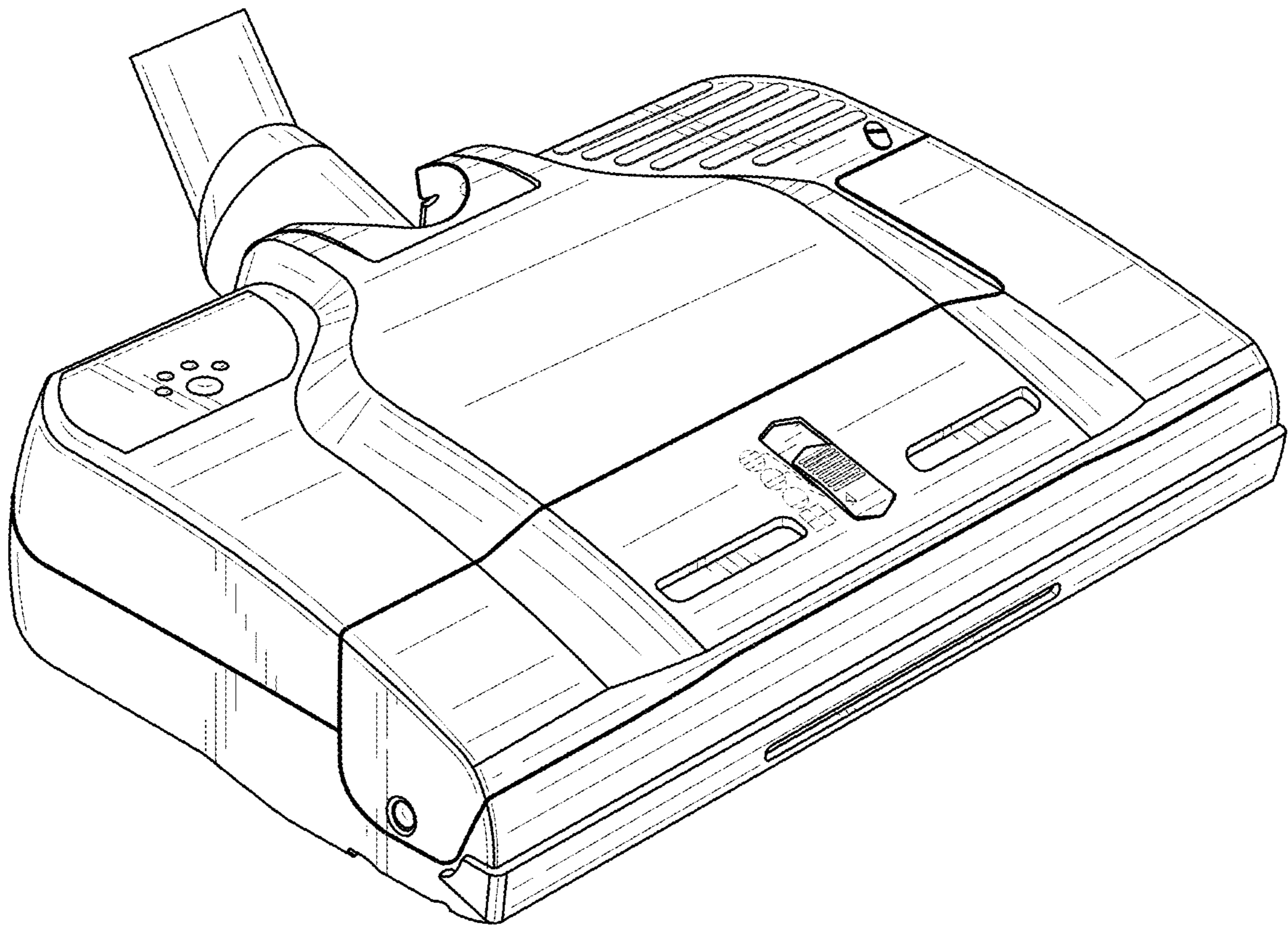


FIG. 1

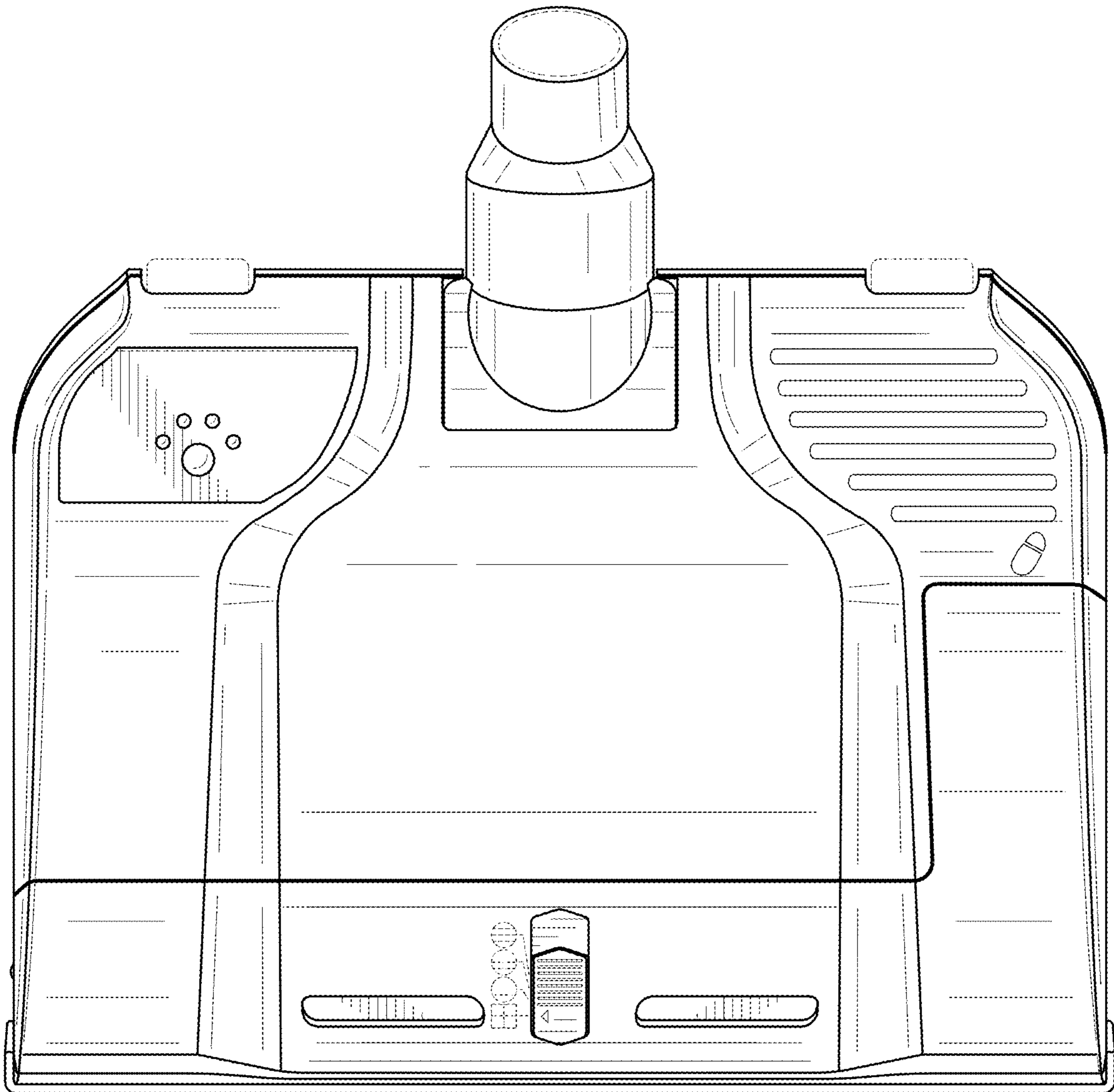


FIG. 2

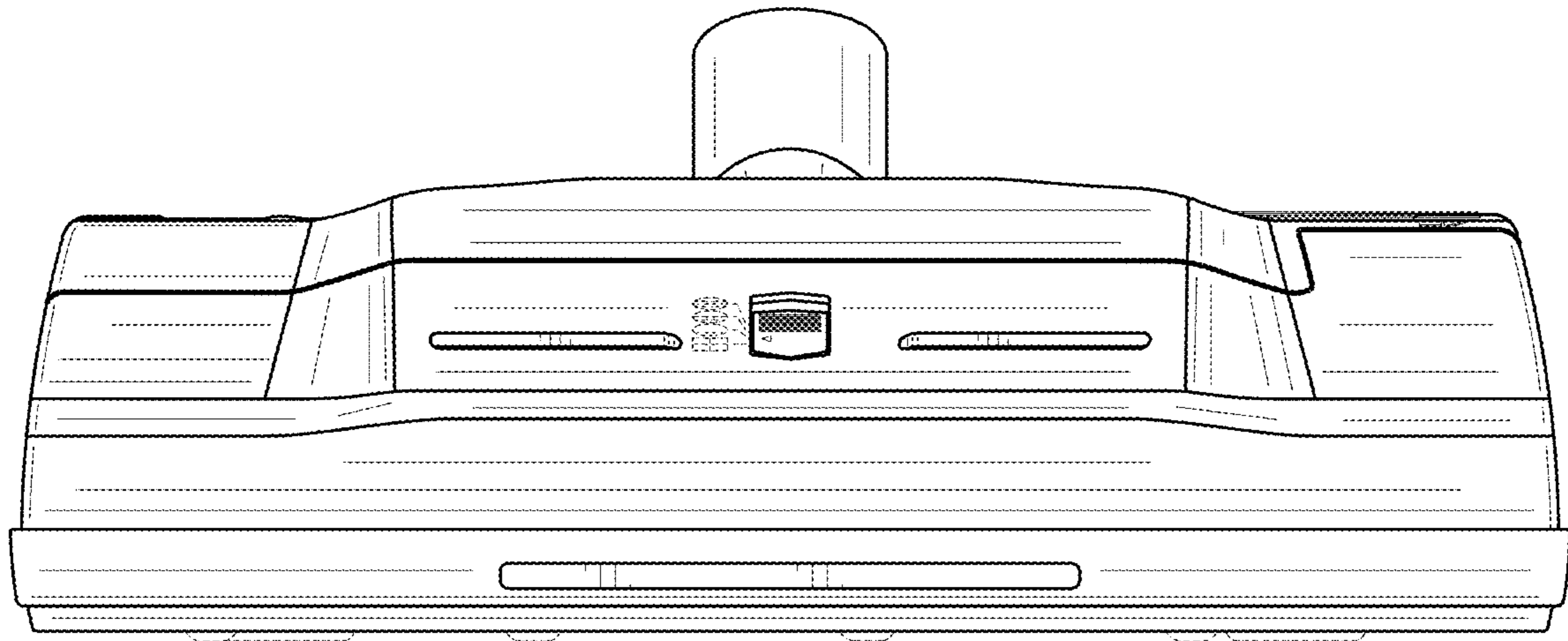


FIG. 3

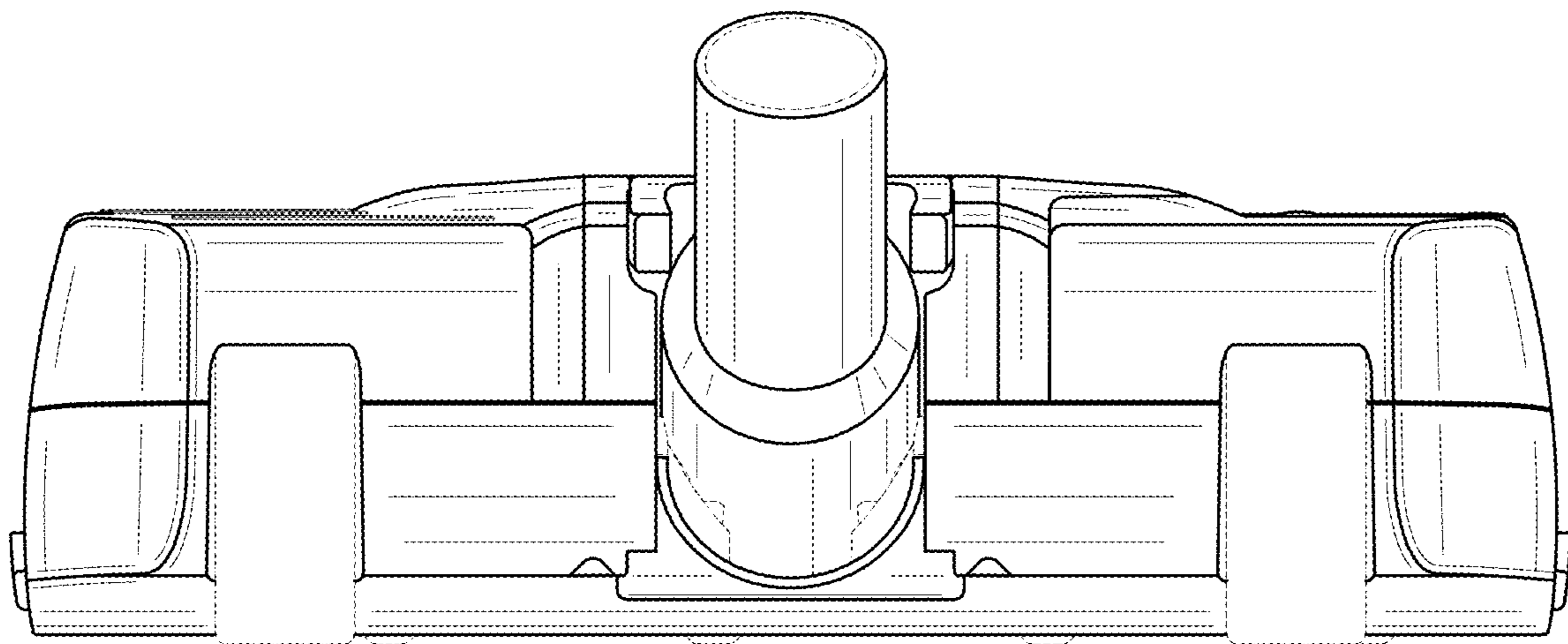


FIG. 4

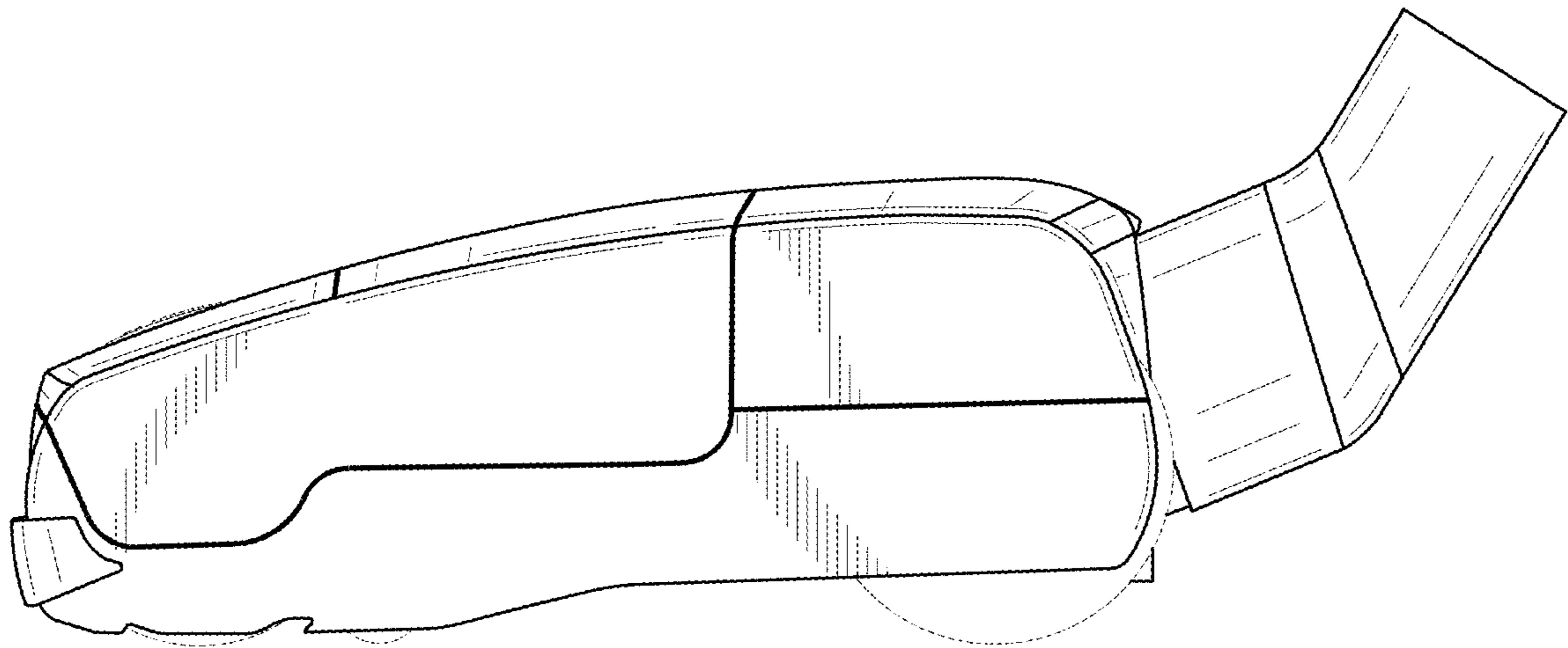


FIG. 5

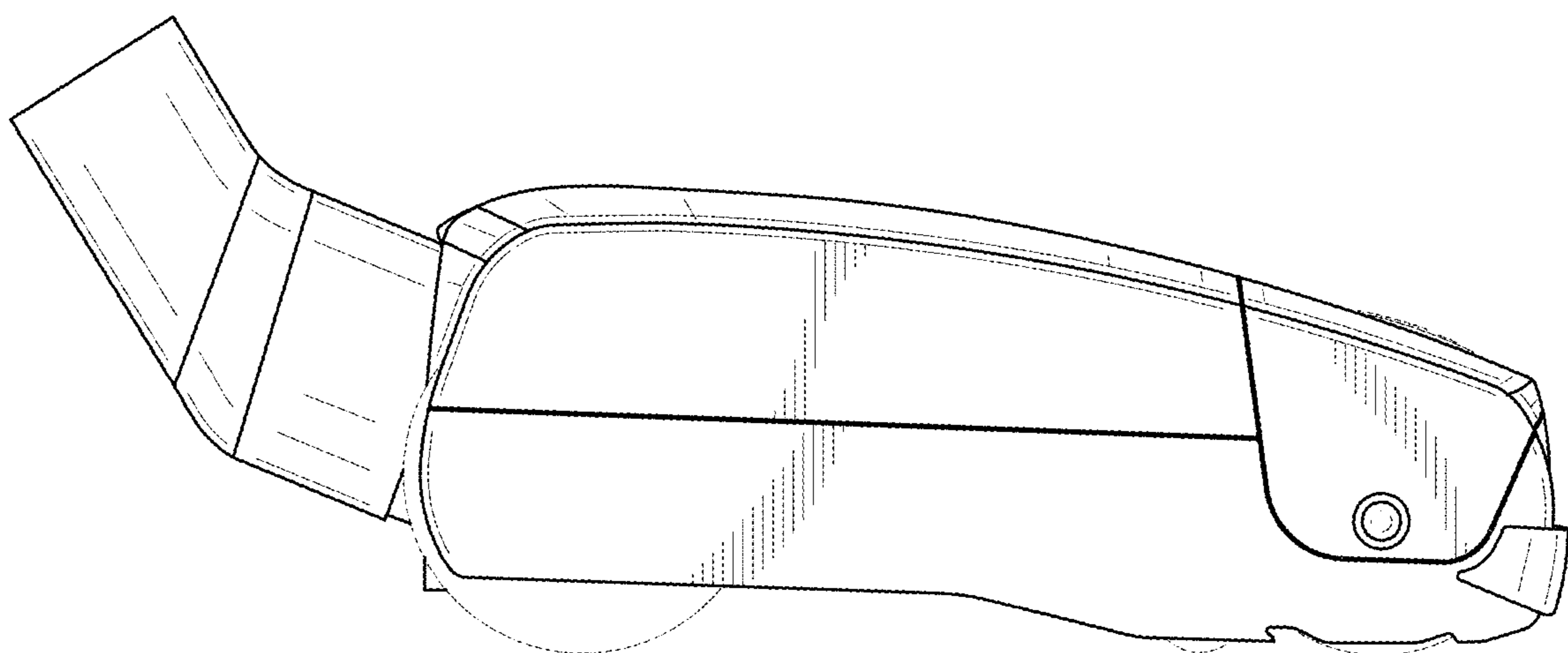


FIG. 6

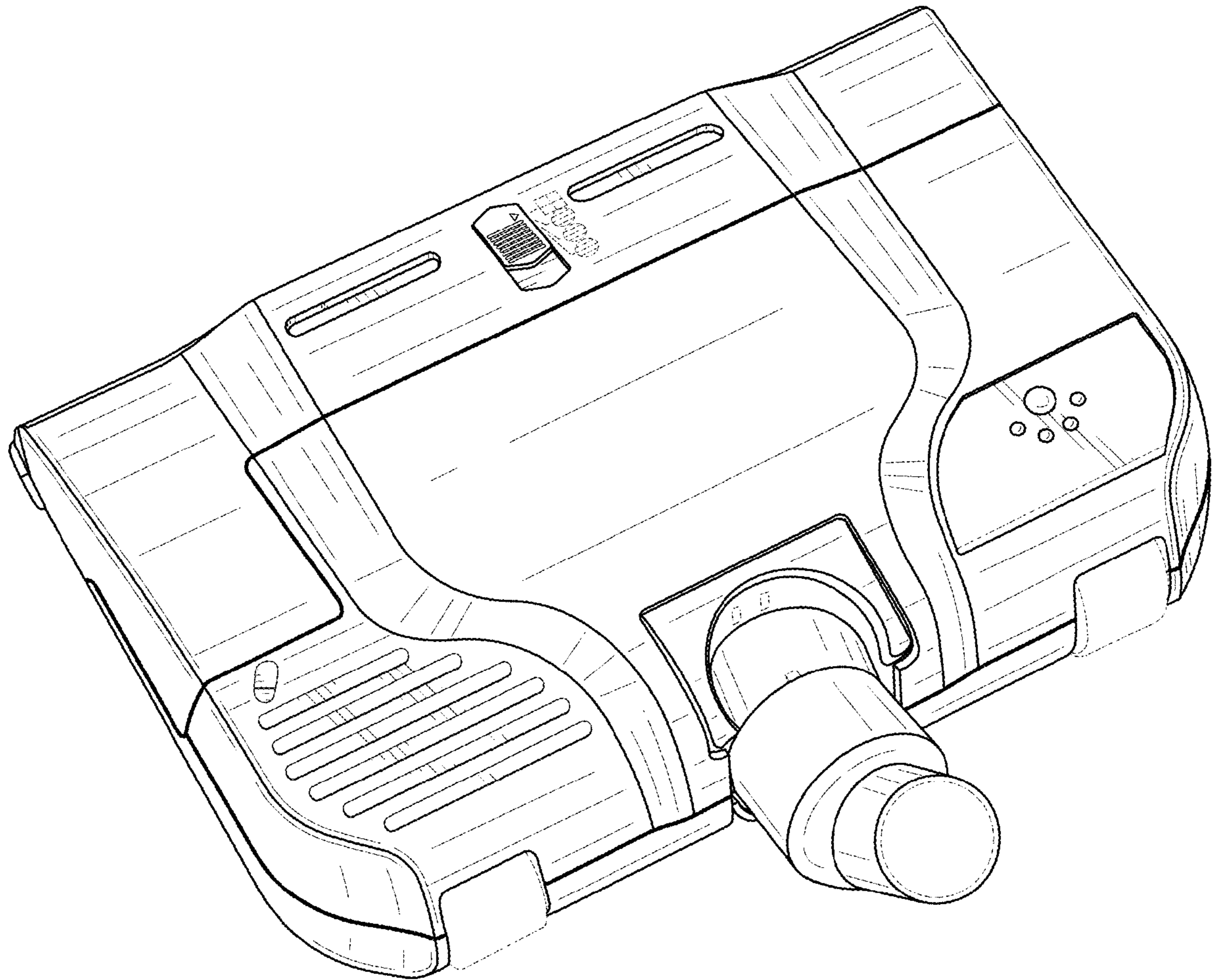


FIG. 7

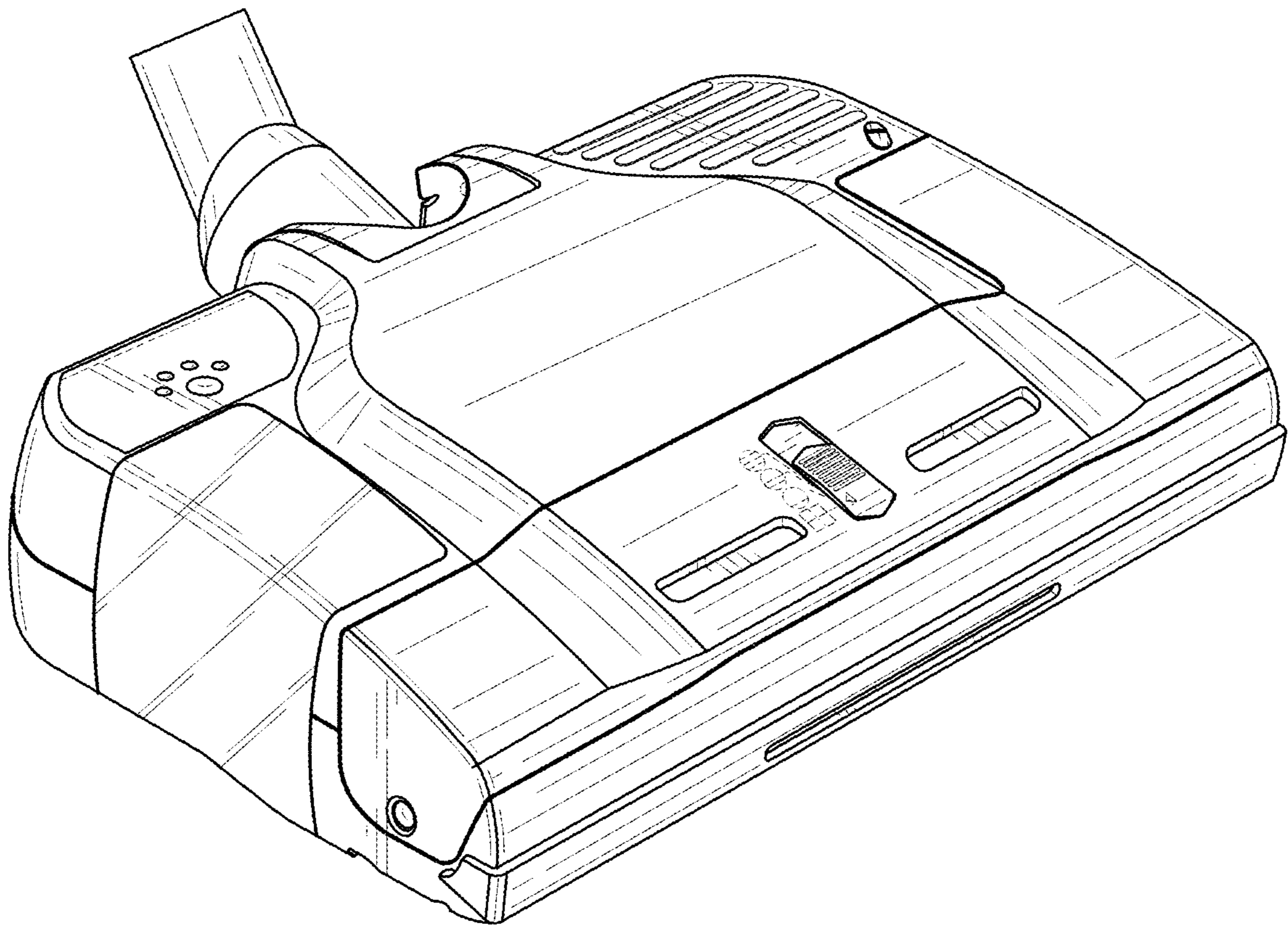


FIG. 8

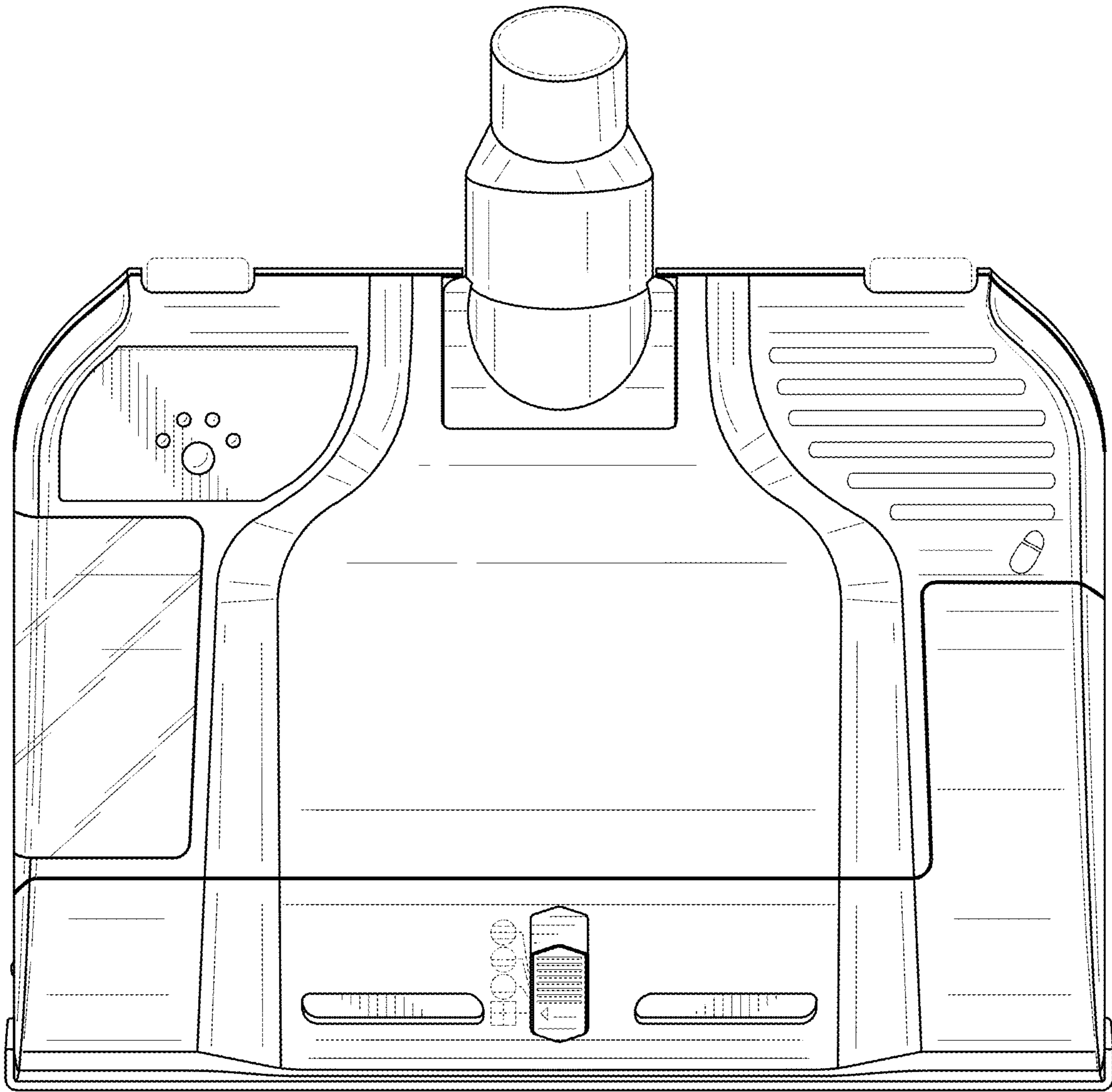


FIG. 9

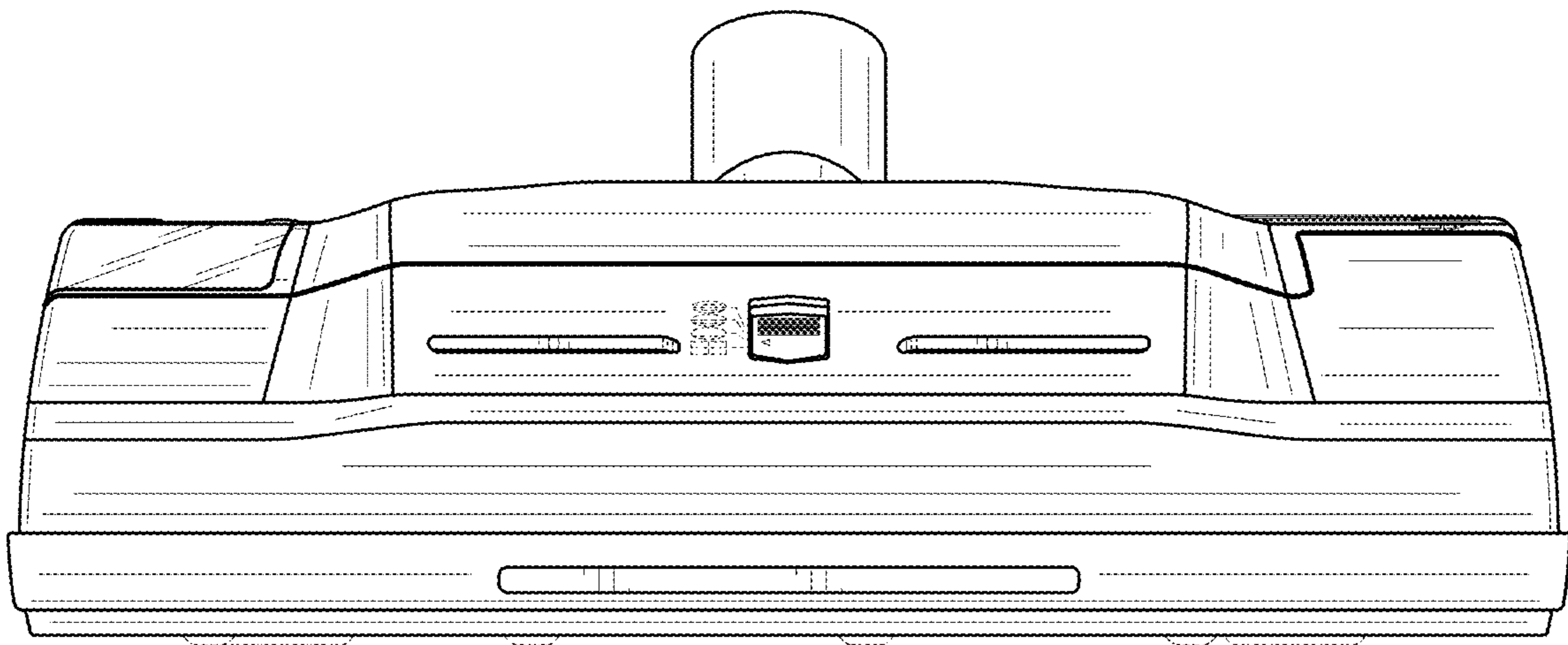


FIG. 10

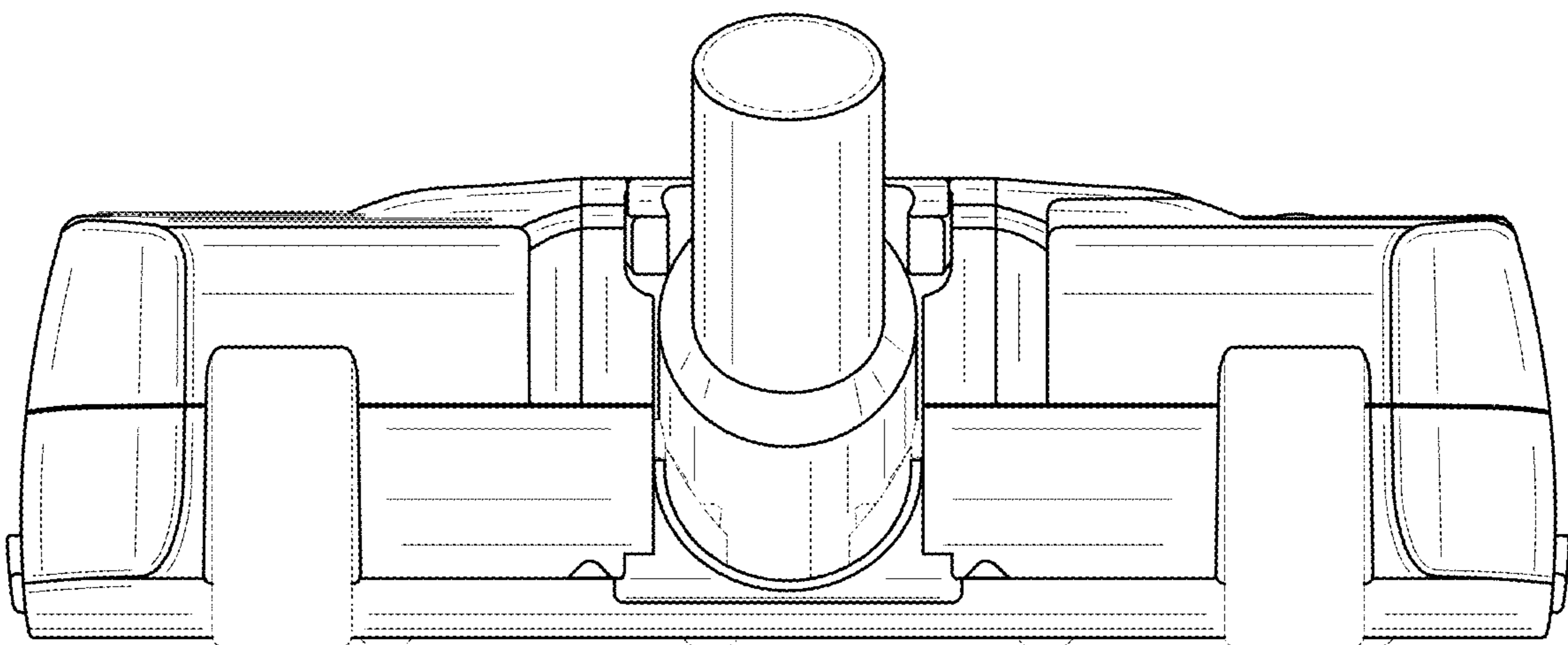


FIG. 11

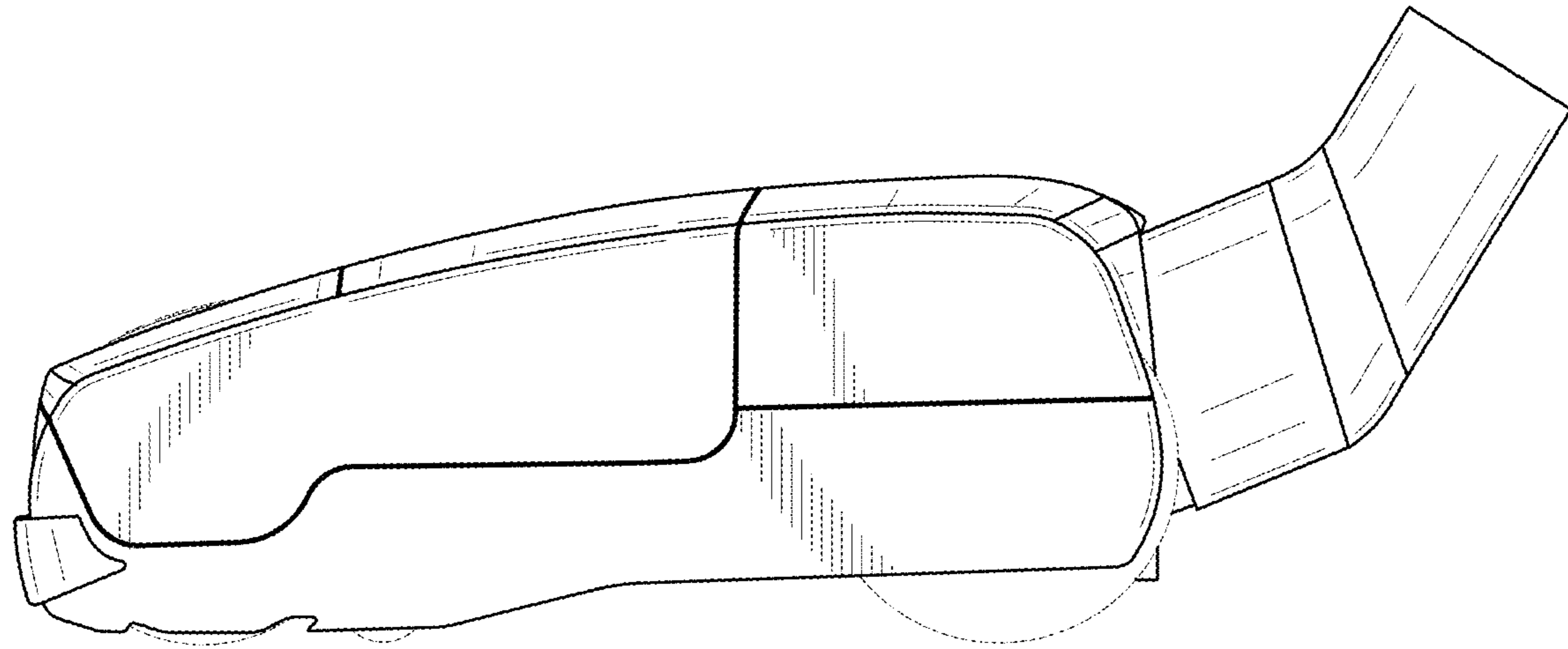


FIG. 12

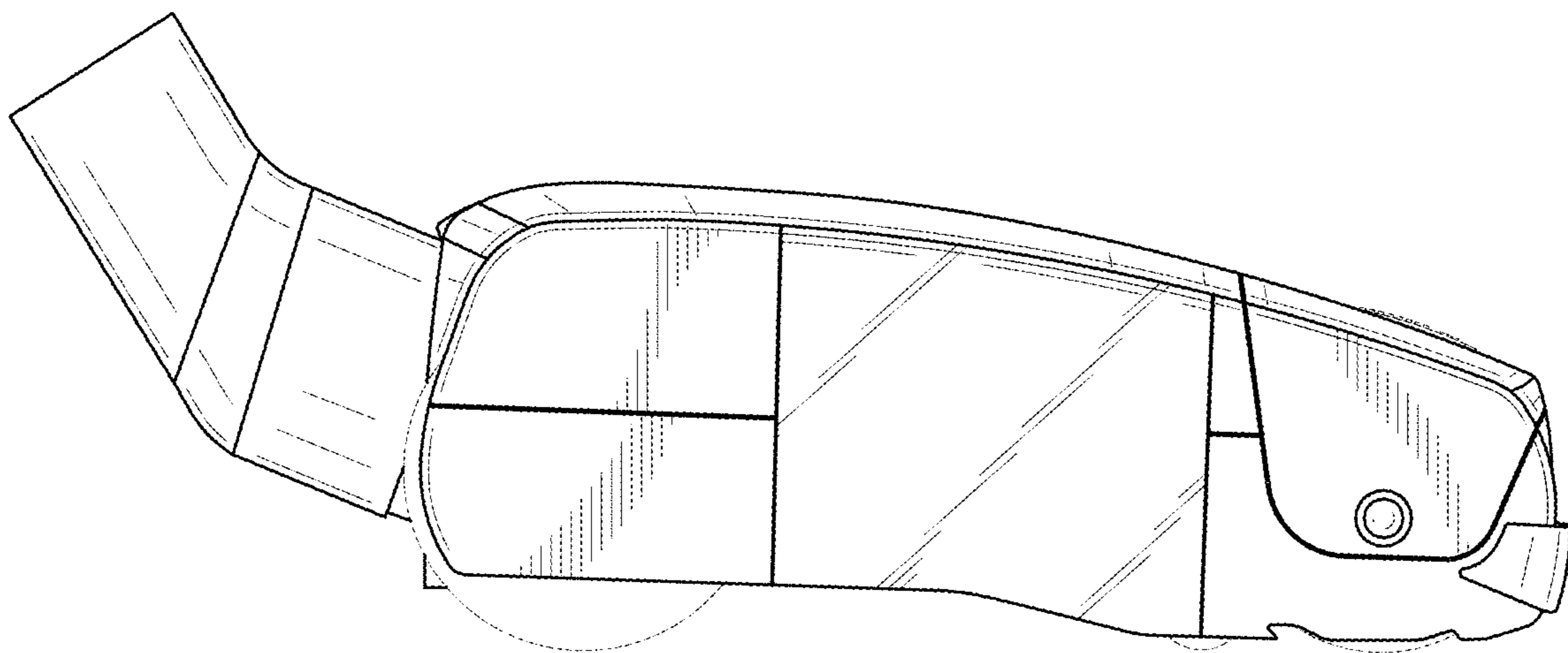


FIG. 13

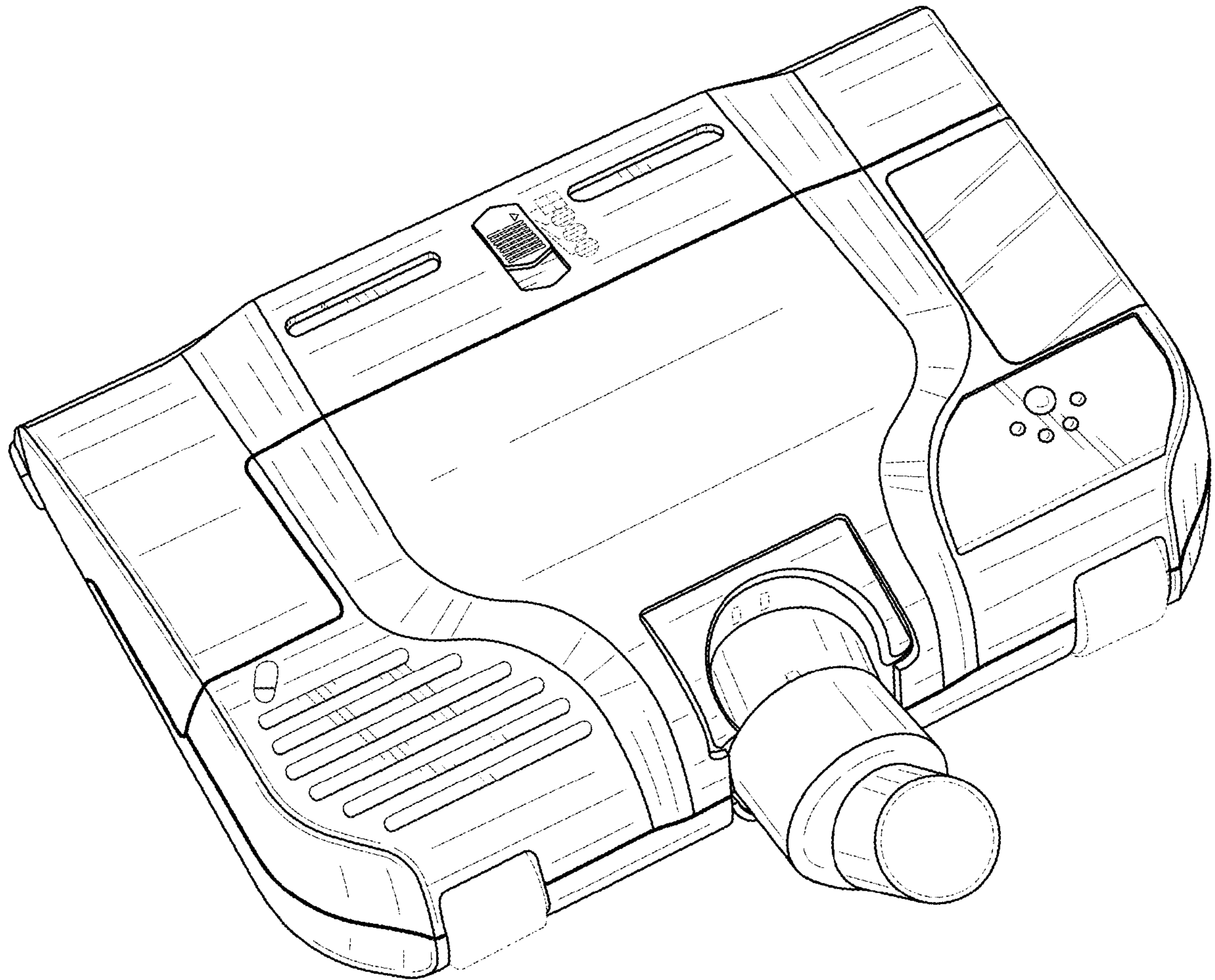


FIG. 14