



US00D953672S

(12) **United States Design Patent** (10) **Patent No.:** **US D953,672 S**
Choi (45) **Date of Patent:** **** May 31, 2022**

(54) **PIPE FOR VACUUM CLEANER**
(71) Applicant: **SAMSUNG ELECTRONICS CO., LTD.**, Suwon-si (KR)
(72) Inventor: **Hyoungsub Choi**, Suwon-si (KR)
(73) Assignee: **SAMSUNG ELECTRONICS CO., LTD.**, Gyeonggi-Do (KR)
(**) Term: **15 Years**
(21) Appl. No.: **29/725,418**
(22) Filed: **Feb. 25, 2020**

Primary Examiner — Dana K Weiland
Assistant Examiner — Jennylou M Binas
(74) *Attorney, Agent, or Firm* — Cantor Colburn LLP

(57) **CLAIM**

The ornamental design for a pipe for vacuum cleaner, as shown and described.

DESCRIPTION

(30) **Foreign Application Priority Data**
Dec. 5, 2019 (KR) 30-2019-0058839
(51) **LOC (13) Cl.** **15-05**
(52) **U.S. Cl.**
USPC **D32/31**
(58) **Field of Classification Search**
USPC ... D32/14-15, 17-19, 21-23, 25, 31-35, 38,
D32/45, 49, 51-52; D8/51, 70, 80-81,
(Continued)

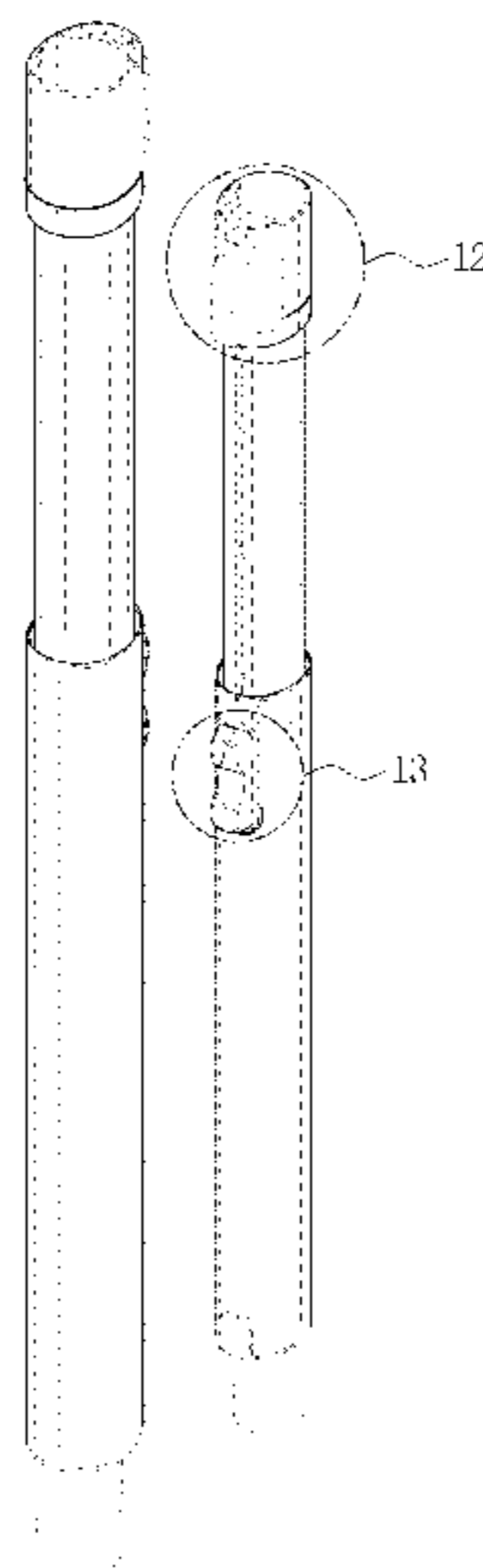
FIG. 1 is a front perspective view of a pipe for vacuum cleaner, showing my new design;
FIG. 2 is a front view thereof;
FIG. 3 is a rear view thereof;
FIG. 4 is a left-side view thereof;
FIG. 5 is a right-side view thereof;
FIG. 6 is a top view thereof;
FIG. 7 is a bottom view thereof;
FIG. 8 is a rear perspective view thereof;
FIG. 9 is an enlarged view of the encircled portion, '9' in FIG. 4;
FIG. 10 is an enlarged view of the encircled portion, '10' in FIG. 6;
FIG. 11 is an enlarged view of the encircled portion, '11' in FIG. 7;
FIG. 12 is an enlarged view of the encircled portion, '12' in FIG. 8;
FIG. 13 is an enlarged view of the encircled portion, '13' in FIG. 8;
FIG. 14 is a front perspective view of the pipe for vacuum cleaner shown in a state of use; and,
FIG. 15 is a rear perspective view of the pipe for vacuum cleaner shown in a state of use.
The dot-dot-dash broken lines encircling enlargement portions of the design form no part of the claimed design. The broken lines depicting portions of the pipe for vacuum cleaner and environmental structures form no part of the claimed design.

(56) **References Cited**
U.S. PATENT DOCUMENTS
D217,285 S * 4/1970 Anderson D32/31
4,079,965 A * 3/1978 Moughty A47L 9/244
174/47
(Continued)

FOREIGN PATENT DOCUMENTS
CN 303888419 * 10/2016
CN 303988203 * 12/2016
(Continued)

OTHER PUBLICATIONS
Samsung Jet 90 Stick, announced in YouTube on date [online], [site visited Jan. 11, 2021], Available from the internet URL: <https://www.youtube.com/watch?v=IYNbqOYOz7w> (Year: 2021).*
(Continued)

1 Claim, 15 Drawing Sheets



(58) **Field of Classification Search**

USPC D8/307; D9/711; D10/114.1, 114.9;
 D21/402; D23/213, 223–224, 226, 266;
 D24/108
 CPC . A46B 11/063; A47L 5/28; A47L 5/34; A47L
 5/36; A47L 5/365; A47L 9/02; A47L
 9/127; A47L 9/24; A47L 9/242; A47L
 9/244; A47L 9/248; A47L 9/327; A47L
 11/30; A47L 11/40; A47L 11/4075; B08B
 9/02; E03C 1/306; F16B 7/00; F16B
 7/10; F16B 7/105; F16B 7/14; F16L
 27/12

See application file for complete search history.

(56) **References Cited**

U.S. PATENT DOCUMENTS

D453,866 S * 2/2002 Nighy D32/31
 D477,445 S * 7/2003 Schroter D32/31
 6,588,065 B1 * 7/2003 Tucker, III B25G 1/04
 16/426
 D480,848 S * 10/2003 Smith D32/31
 D502,578 S * 3/2005 Roschi D32/31
 D635,728 S * 4/2011 Fjellman D32/22
 D642,754 S * 8/2011 Fjellman D32/31
 D647,266 S * 10/2011 Kim D32/31
 D652,188 S * 1/2012 Escobar D32/32
 D674,158 S * 1/2013 Kim D32/31
 D703,890 S * 4/2014 Shin D32/18
 D792,670 S * 7/2017 Lambert D32/31
 D796,132 S * 8/2017 Yoon D32/31
 D806,967 S * 1/2018 Lambert D32/31
 D815,893 S * 4/2018 Seiders D7/396.2
 D825,312 S * 8/2018 Buckley B08B 1/00
 D8/307
 D857,315 S * 8/2019 Chavana, Jr. D32/25
 D866,890 S * 11/2019 Kim D32/31

D905,360 S * 12/2020 Ma D32/22
 D912,344 S * 3/2021 Choi D32/22
 D912,920 S * 3/2021 Tao D32/50
 D920,609 S * 5/2021 Ma D32/21
 D932,124 S * 9/2021 Lin D32/22
 2003/0204926 A1 * 11/2003 Jurgens B25G 1/04
 15/144.3

FOREIGN PATENT DOCUMENTS

EM 000984463-0005 8/2008
 IN 314297-001-0001 * 11/2019
 KR 300959993 S 6/2018
 KR 300979822 S 11/2018
 KR 301011593 S 7/2019
 KR 301029289.0000 * 10/2019
 KR 301076432.0000 * 9/2020
 WO DM055245 2/2001
 WO D207257-001 * 10/2020

OTHER PUBLICATIONS

Nilfisk-ALTO WAP Wet-Dry Vacuum Cleaner Plastic Telescopic Wand, available in vacuumdoctor.com.au, customer review oldest Mar. 11, 2021 [online], [site visited Jan. 11, 2022, Available from the internet URL: <https://vacuumdoctor.com.au/products/nilfisk-alto-plastic-telescopic-36mm-wand-for-vacuum-cleaner> (Year: 2021).
 Roomie TEC Cordless Stick Vacuum Cleaner, available in Amazon.ca, date first available Jun. 3, 2019 [online], [site visited Jan. 11, 2022], Available from the internet URL: https://www.amazon.ca/dp/B07QWCQRM7/ref=sspa_dk_detail_8? (Year: 2019).
 Wowgo Cordless Vacuum Cleaner, available in Amazon.ca, date first available Nov. 3, 2020 [online], [site visited Jan. 11, 2022], Available from the internet URL: https://www.amazon.ca/Cordless-Powerful-Detachable-Lightweight-Handheld/dp/B08HYLRY69/ref=sr_1_9? (Year: 2020).*

* cited by examiner

FIG. 1

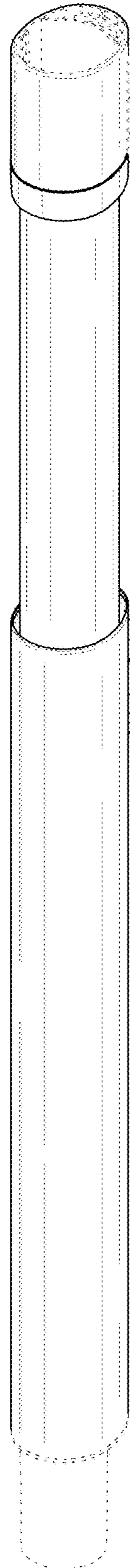


FIG. 2

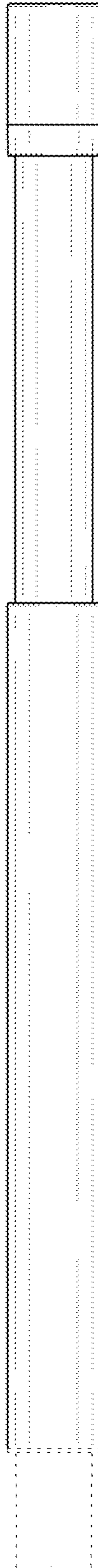


FIG. 3

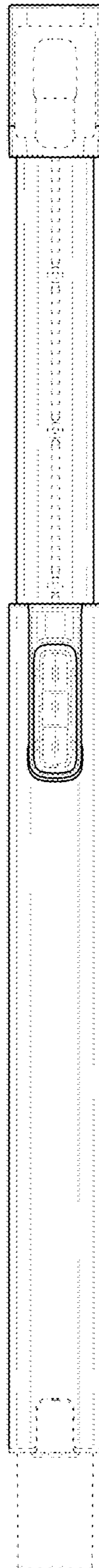


FIG. 4

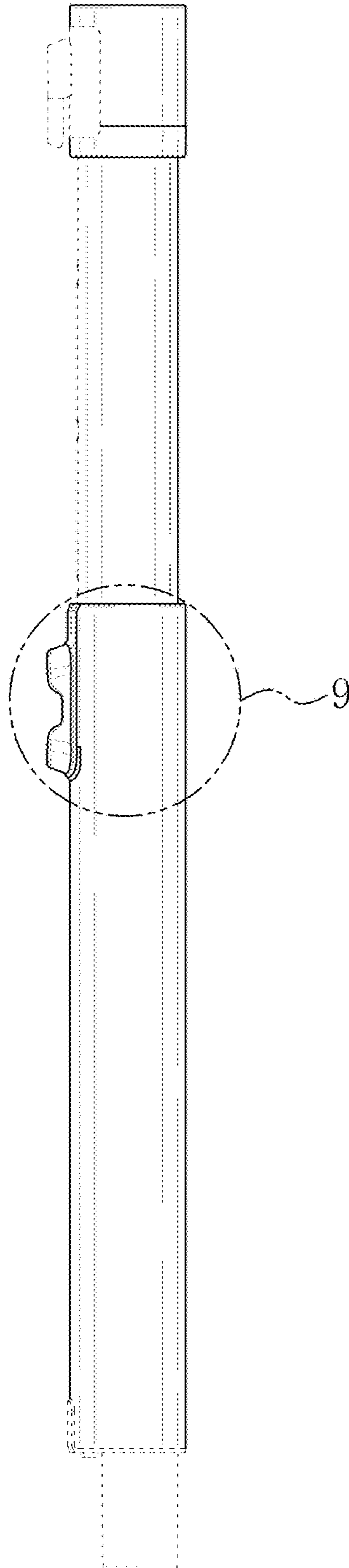


FIG. 5

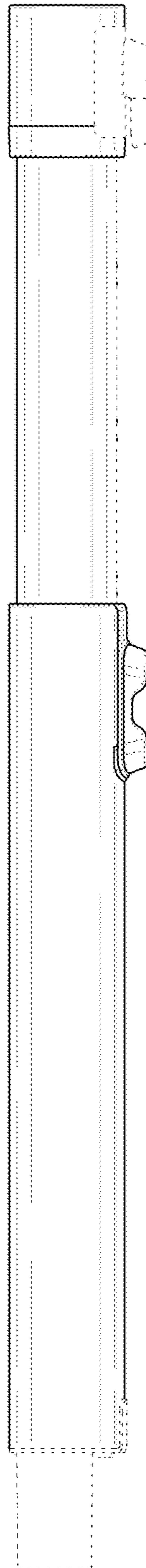


FIG. 6

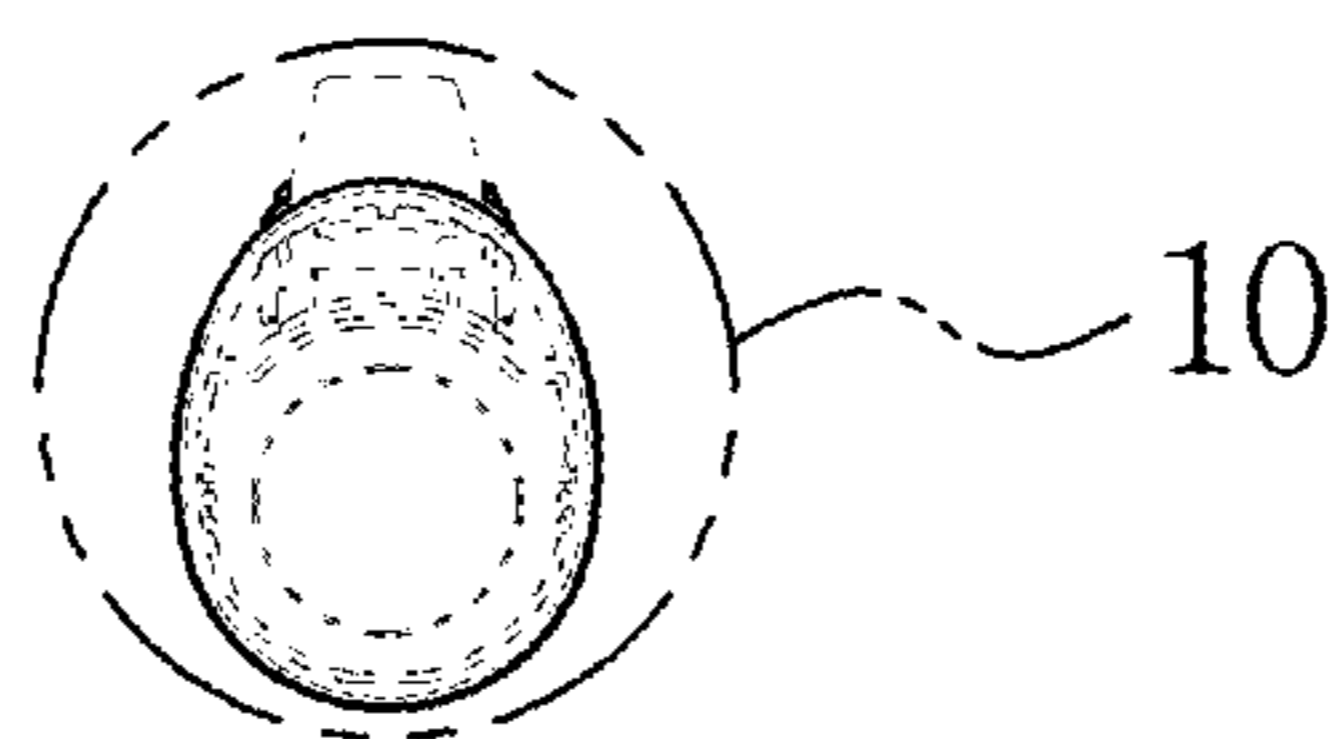


FIG. 7

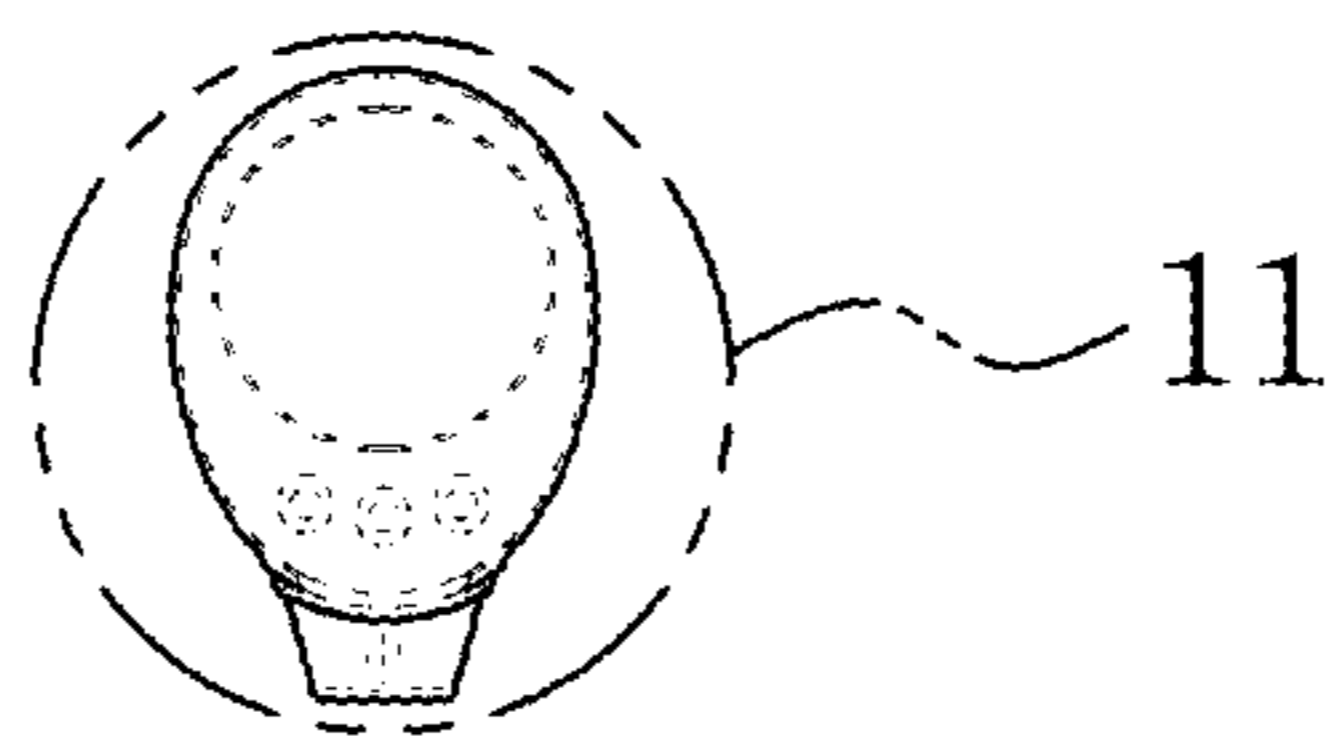


FIG. 8

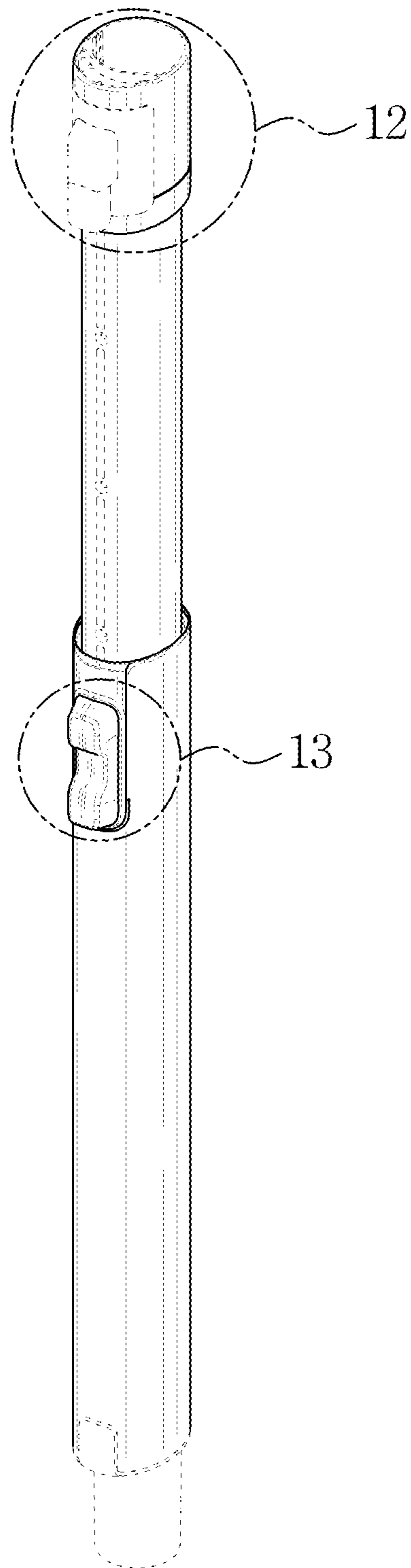


FIG. 9

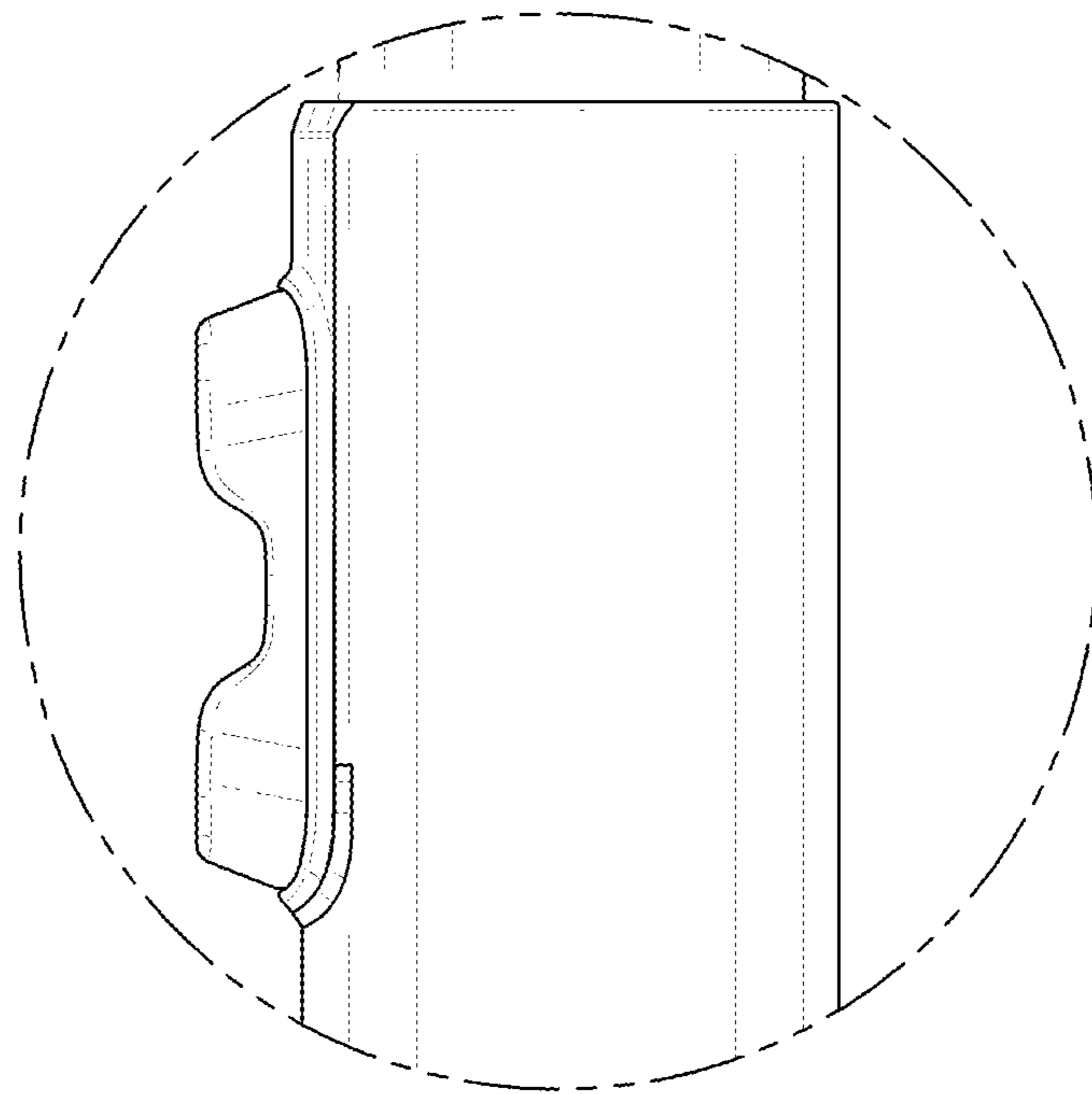


FIG. 10

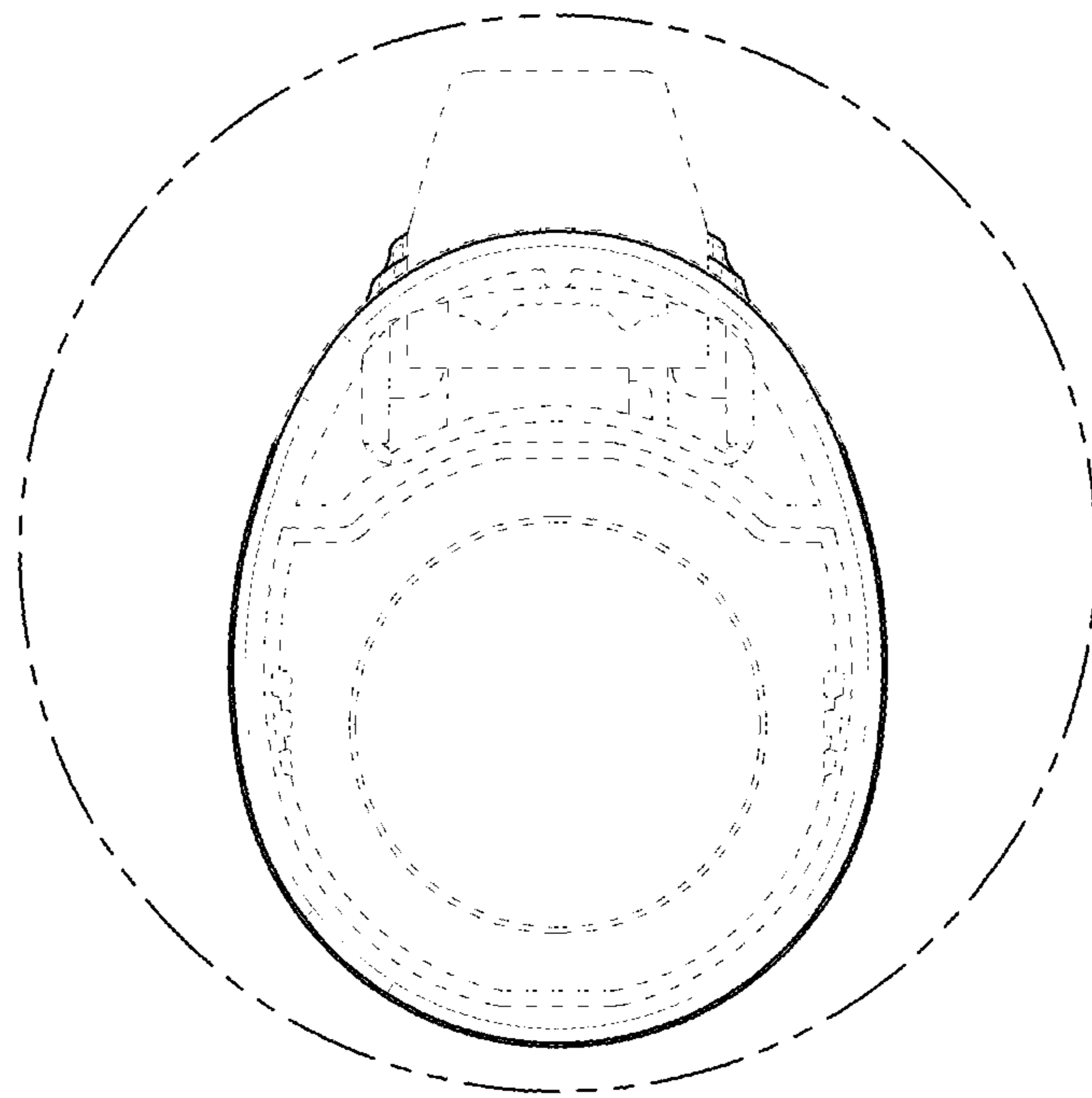


FIG. 11

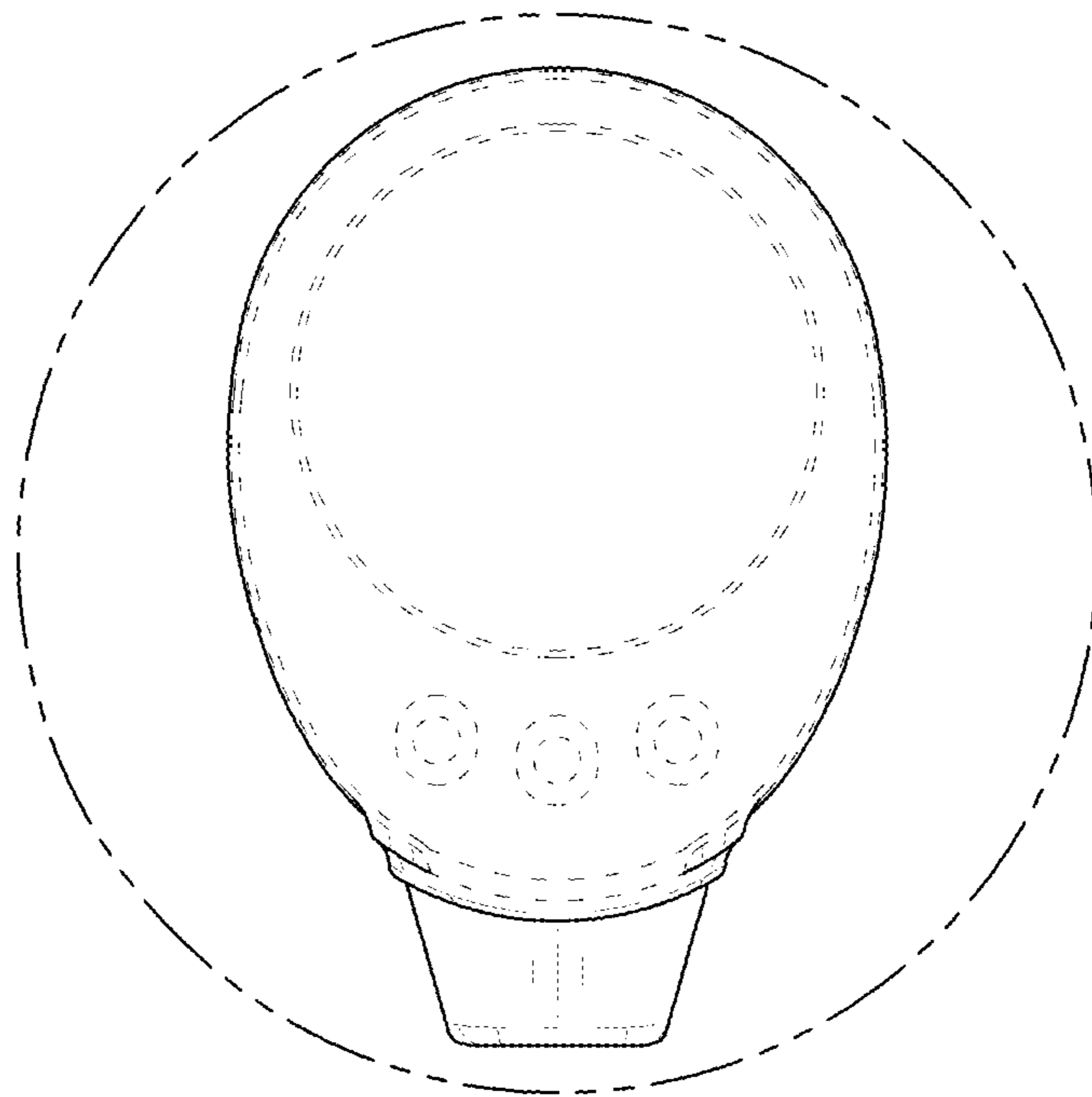


FIG. 12

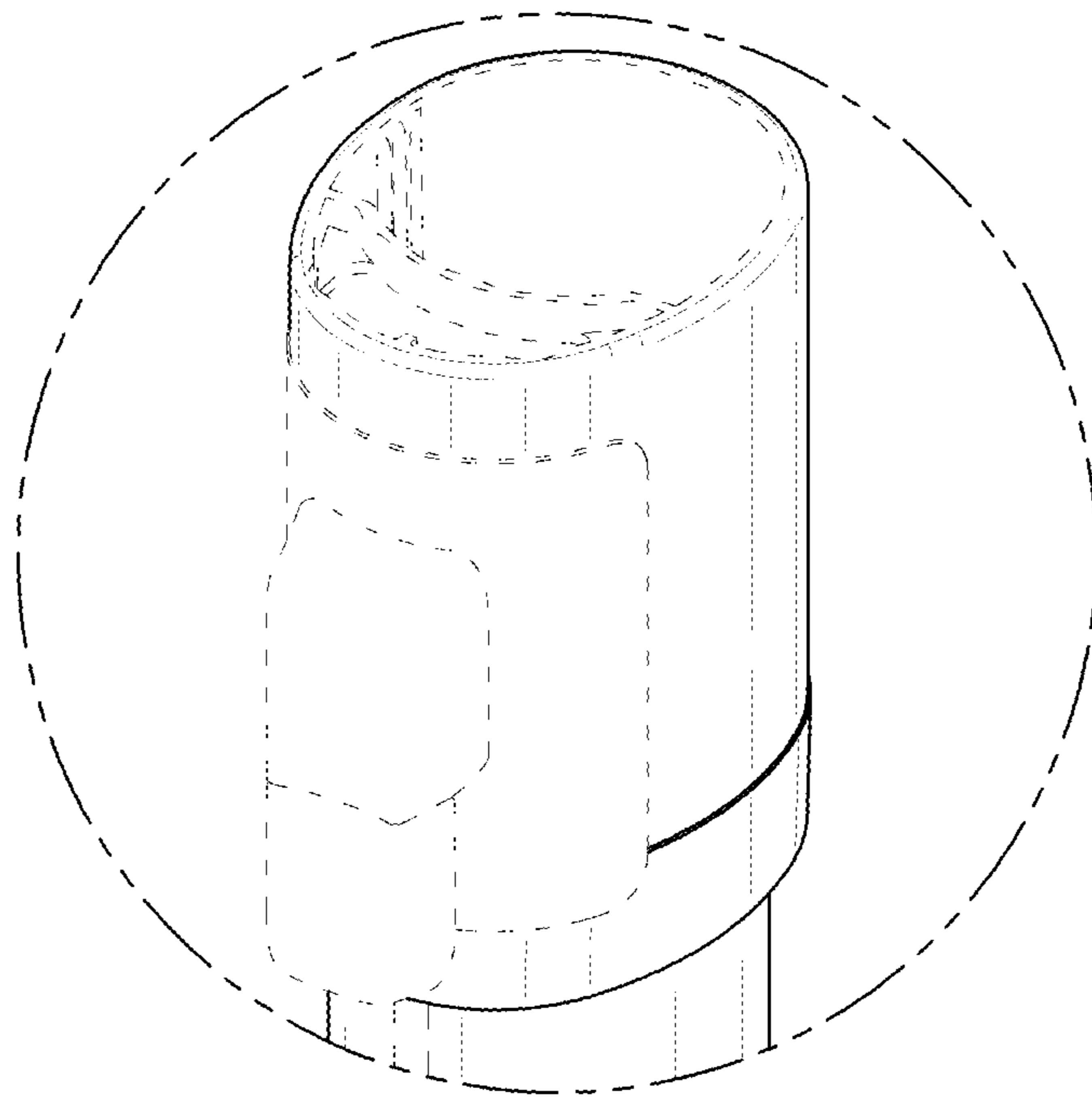


FIG. 13

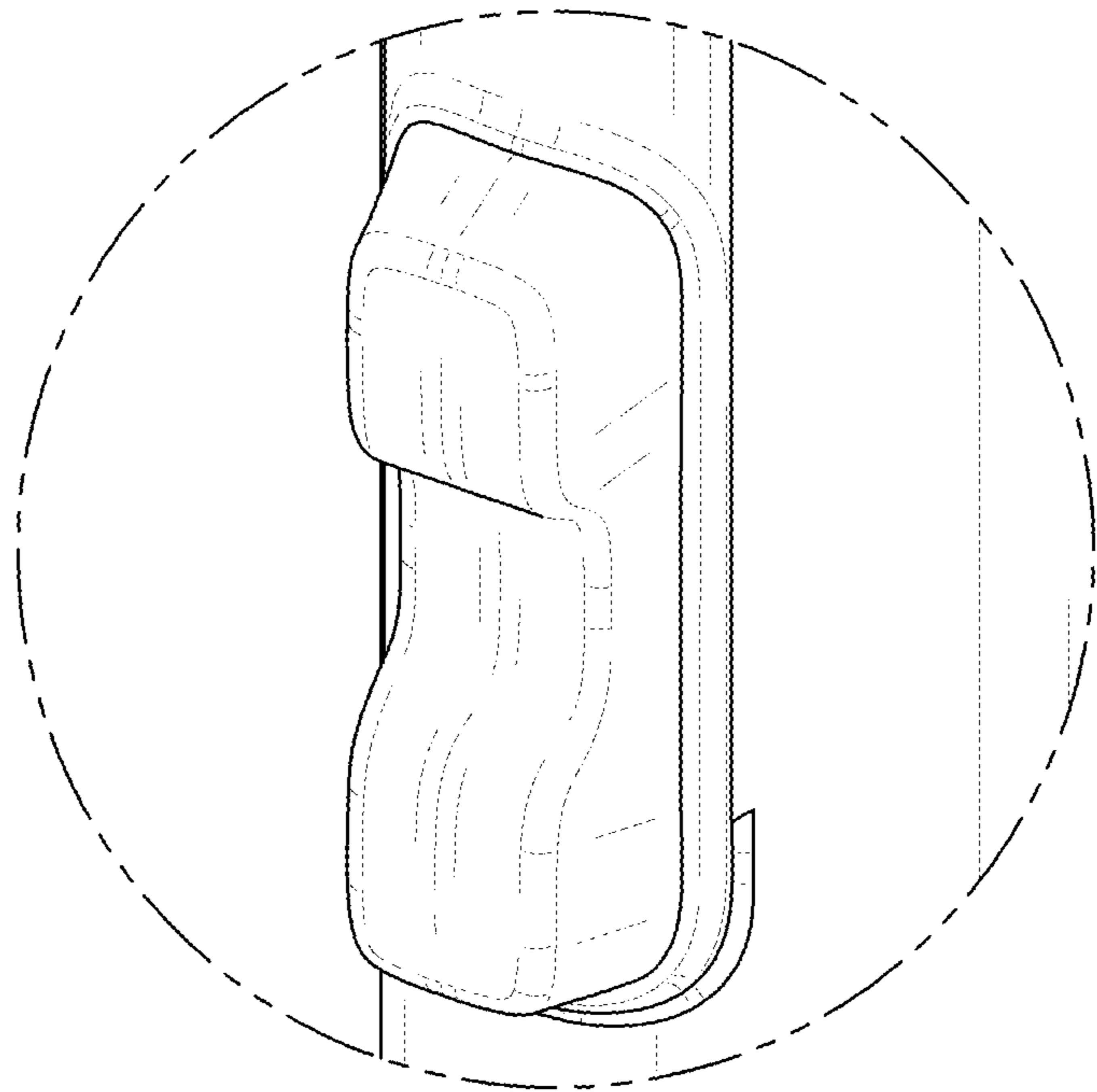


FIG. 14

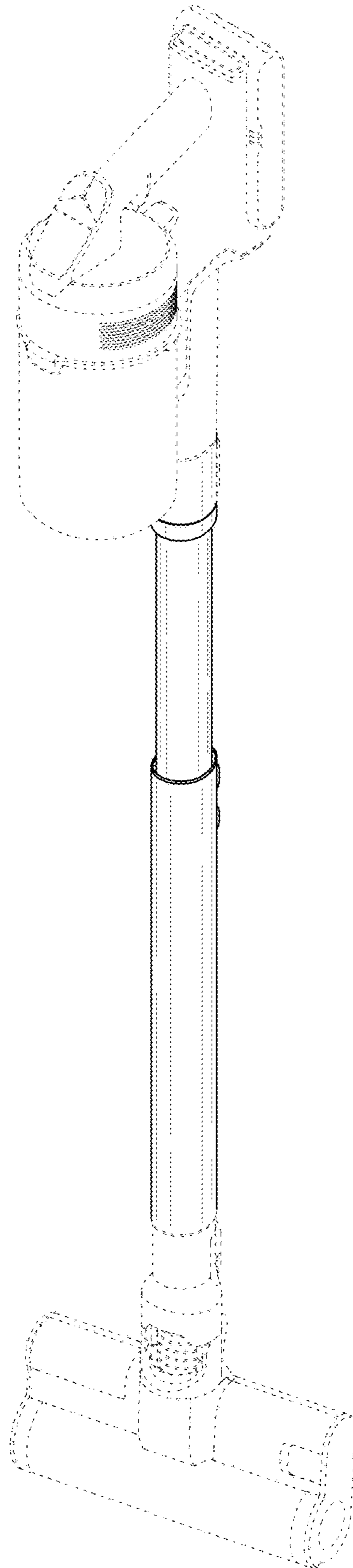


FIG. 15

