



US00D953671S

(12) **United States Design Patent**
Kangkang

(10) **Patent No.:** **US D953,671 S**

(45) **Date of Patent:** **** May 31, 2022**

(54) **SURFACE CLEANER FOR PRESSURE WASHER**

D660,530 S * 5/2012 Geringer D32/21
D665,139 S 8/2012 Genoa et al.
D714,144 S * 9/2014 Vogel D9/443

(Continued)

(71) Applicant: **Taizhou YanKang Trade Co., Ltd.**
Taizhou (CN)

FOREIGN PATENT DOCUMENTS

(72) Inventor: **Tong Kangkang**, Taizhou (CN)

CN 303439816 * 11/2015
GB 4023368 * 4/2012
GB 9008200380-0001 * 10/2020

(**) Term: **15 Years**

(21) Appl. No.: **29/771,567**

OTHER PUBLICATIONS

(22) Filed: **Feb. 24, 2021**

KIDJFGG 16" Pressure Washer Surface Cleaner w/Wheels, date first available Jun. 15, 2021 [online], [site visited Nov. 30, 2021], Available from the internet URL: https://www.amazon.co.uk/KIDJFGG-Attachment-Extension-Connector-Replacement/dp/B0978FZTKH/ref=sr_1_8? (Year: 2021).*

(51) **LOC (13) Cl.** **15-05**

(52) **U.S. Cl.**
USPC **D32/25**

(Continued)

(58) **Field of Classification Search**
USPC D32/1, 4, 15, 16, 23, 25; D8/70;
D9/435, 440, 447; D15/126, 138;
D23/213, 223, 225-230, 358, 363, 365,
D23/386, 390; D25/133, 135; D26/2;
D27/148
CPC A47L 7/0014; A47L 13/03; A47L 13/17;
A47L 13/19; A47L 11/16; A47L 11/162;
A47L 11/4005; A47L 11/4075; A47L
11/4083; B08B 3/00; B08B 3/003; B08B
3/02; B08B 3/024; B08B 3/026; A46B
11/063

See application file for complete search history.

Primary Examiner — Amy C Wierenga

Assistant Examiner — Jennylou M Binas

(74) *Attorney, Agent, or Firm* — Rumit Ranjit Kanakia

(56) **References Cited**

U.S. PATENT DOCUMENTS

D212,257 S * 9/1968 Schaefer et al. D32/23
D214,340 S * 6/1969 Schaefer et al. D32/23
D342,888 S * 1/1994 Rutter D8/375
D349,043 S * 7/1994 Carlson D8/375
D380,373 S * 7/1997 Screen D8/375
D409,477 S * 5/1999 Royster D8/375
D425,683 S * 5/2000 Nichols D34/39
D532,946 S * 11/2006 Gansebom D32/25
D557,122 S * 12/2007 Screen D8/375
D577,166 S 9/2008 Rosenzweig
D594,316 S * 6/2009 Rhein D8/375

(57) **CLAIM**

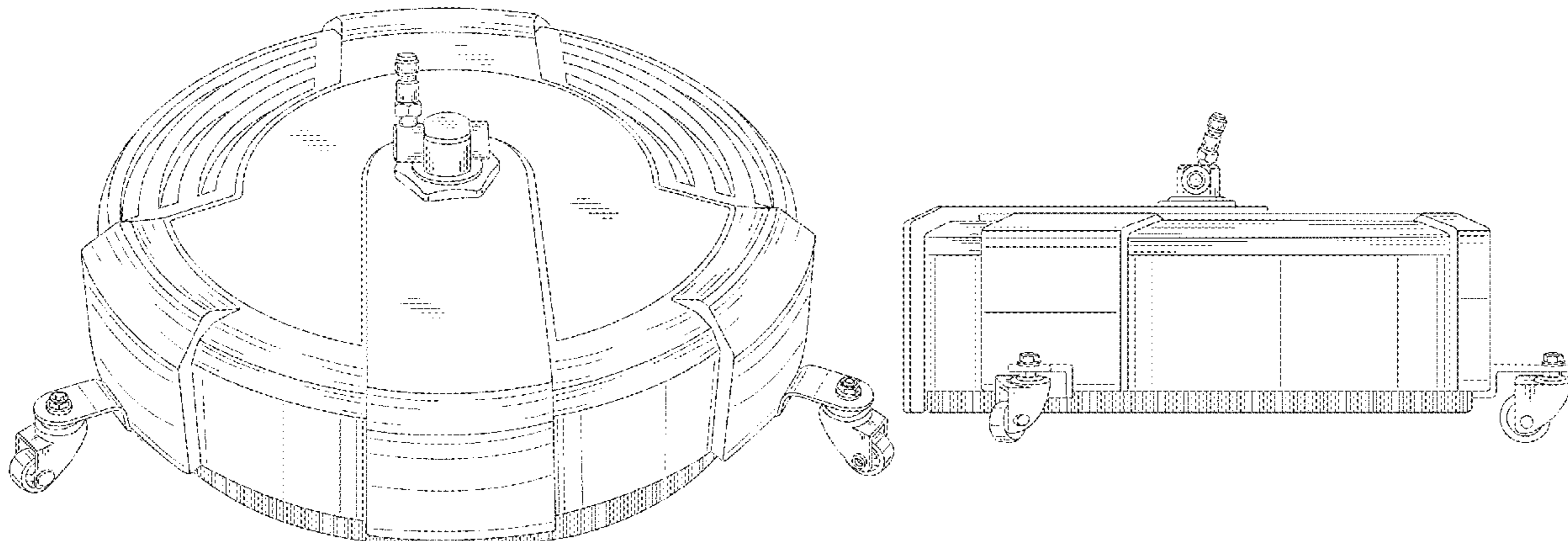
I claim the ornamental design for a surface cleaner for pressure washer, as shown and described.

DESCRIPTION

FIG. 1 is a Perspective view of a surface cleaner for pressure washer showing my new design;
FIG. 2 is a Front view thereof;
FIG. 3 is a Back view thereof;
FIG. 4 is a Left-side view thereof;
FIG. 5 is a Right-side view thereof;
FIG. 6 is a Top view thereof; and,
FIG. 7 is a Bottom view thereof.

The broken lines shown in the drawings depict portions of the surface cleaner for pressure washer that form no part of the claimed design.

1 Claim, 4 Drawing Sheets



(56)

References Cited

U.S. PATENT DOCUMENTS

D730,731 S * 6/2015 Bewley, Jr. D9/447
D736,608 S * 8/2015 Fan D8/375
D750,808 S * 3/2016 Toye D25/135
D751,898 S * 3/2016 D'Anglade D9/435
D762,475 S * 8/2016 Turner D9/454
D766,086 S * 9/2016 Strachan D9/454
D782,136 S 3/2017 Bu et al.
D802,179 S * 11/2017 Zeng D26/2
D821,873 S * 7/2018 Katopis D9/452
D853,063 S 7/2019 Johnson
D854,927 S * 7/2019 Biesecker Longacre D9/435
D855,269 S 7/2019 Gary et al.
D859,764 S * 9/2019 Sexton D32/21
D889,599 S * 7/2020 Moldthan D23/213
D915,167 S * 4/2021 Valentini D8/70
D917,118 S * 4/2021 Ye D32/25
D918,340 S * 5/2021 Zheng D23/225

OTHER PUBLICATIONS

M Mingle 16 Inch Pressure Washer Surface Cleaner with Wheels, date first available Mar. 27, 2021 [online], [site visited Nov. 30, 2021], Available from the internet URL: https://www.amazon.co.uk/MINGLE-Pressure-Attachment-Extension-Replacement/dp/B091717DDF/ref=sr_1_11? (Year: 2021).*

Best Pressure Washer Surface Cleaners, available in website.com, announced Sep. 27, 2021 [online], [site visited Nov. 30, 2021], Internet URL: <https://www.findthisbest.com/best-pressure-washer-accessories/surface-cleaners> (Year: 2021).*

* cited by examiner

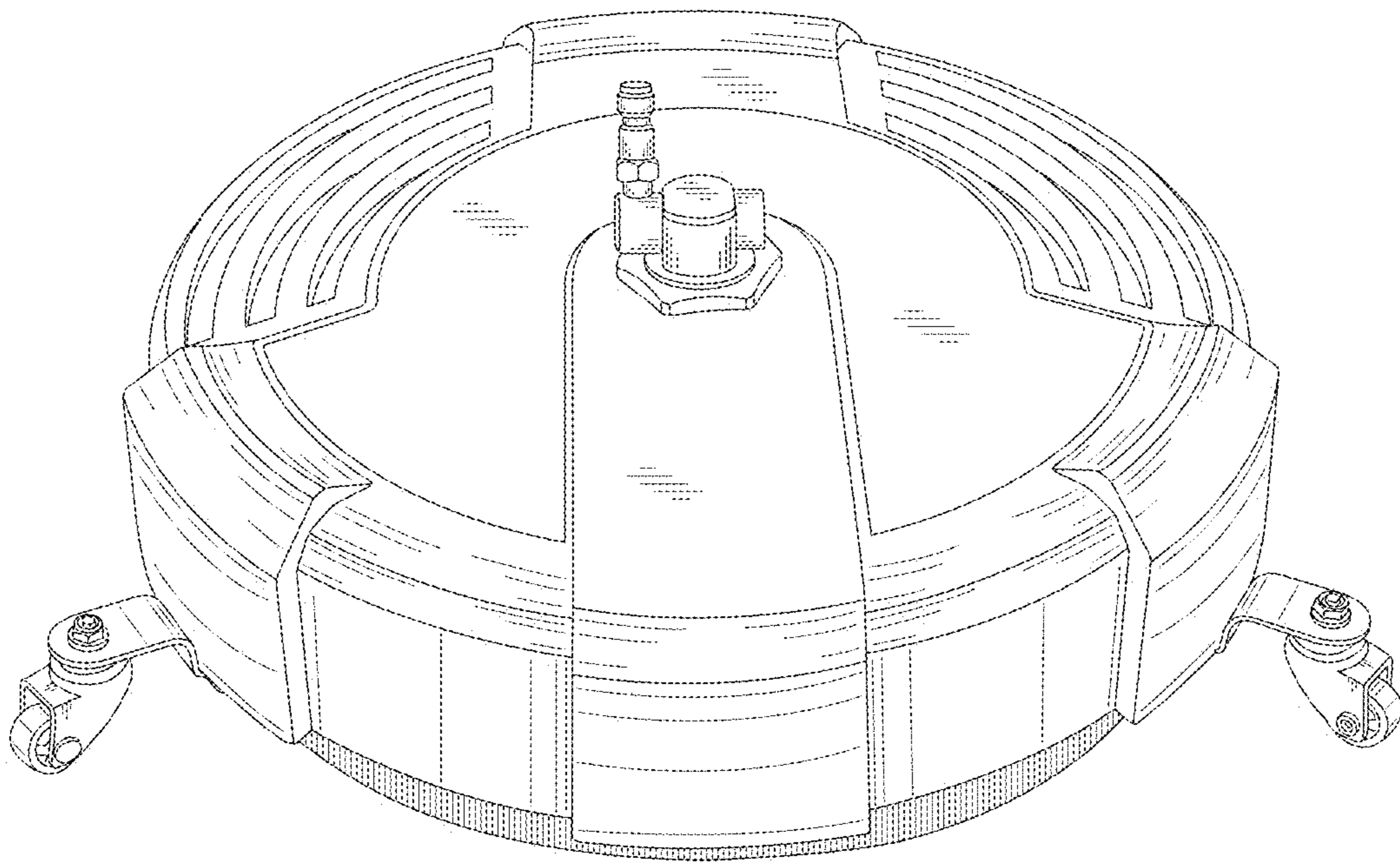


FIG. 1

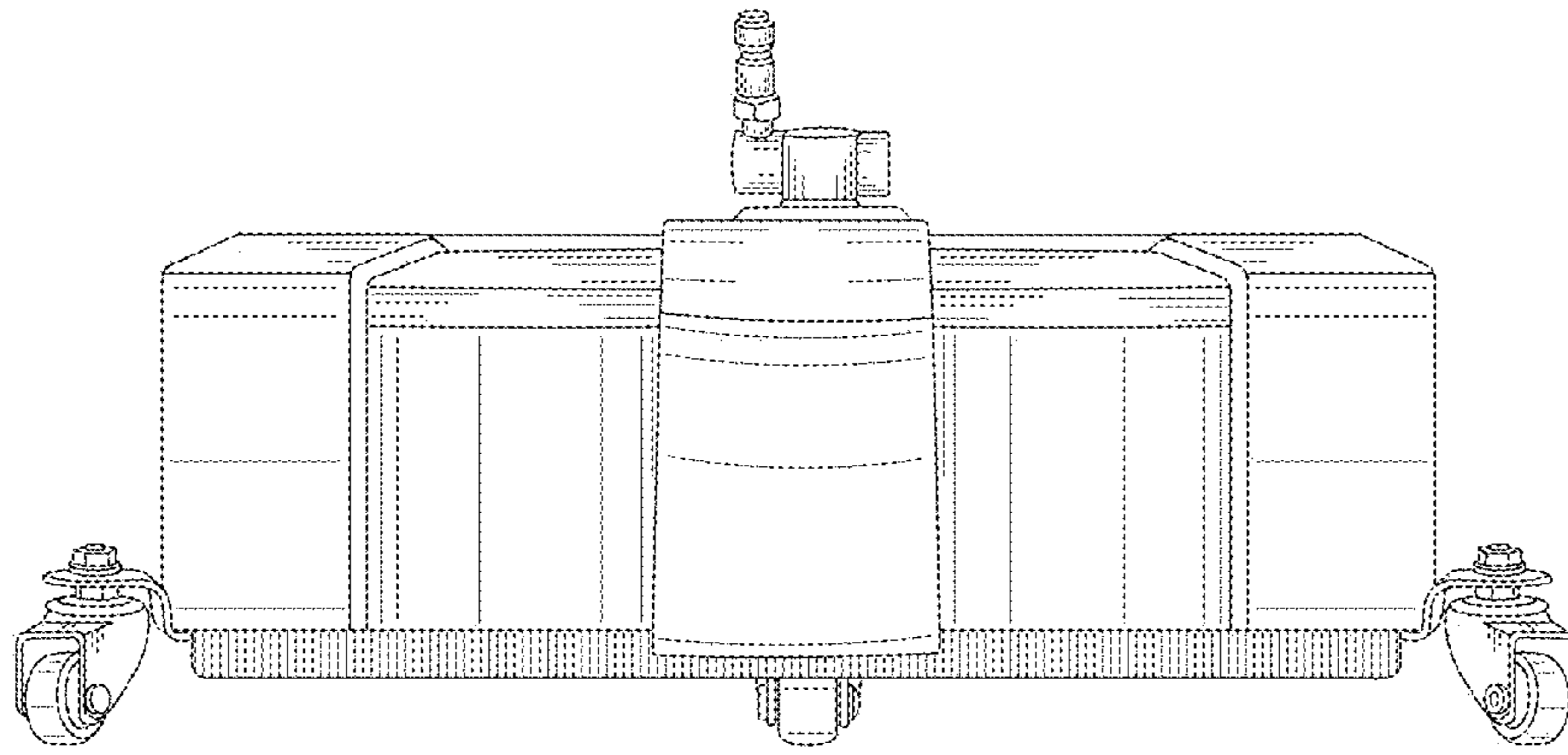


FIG. 2

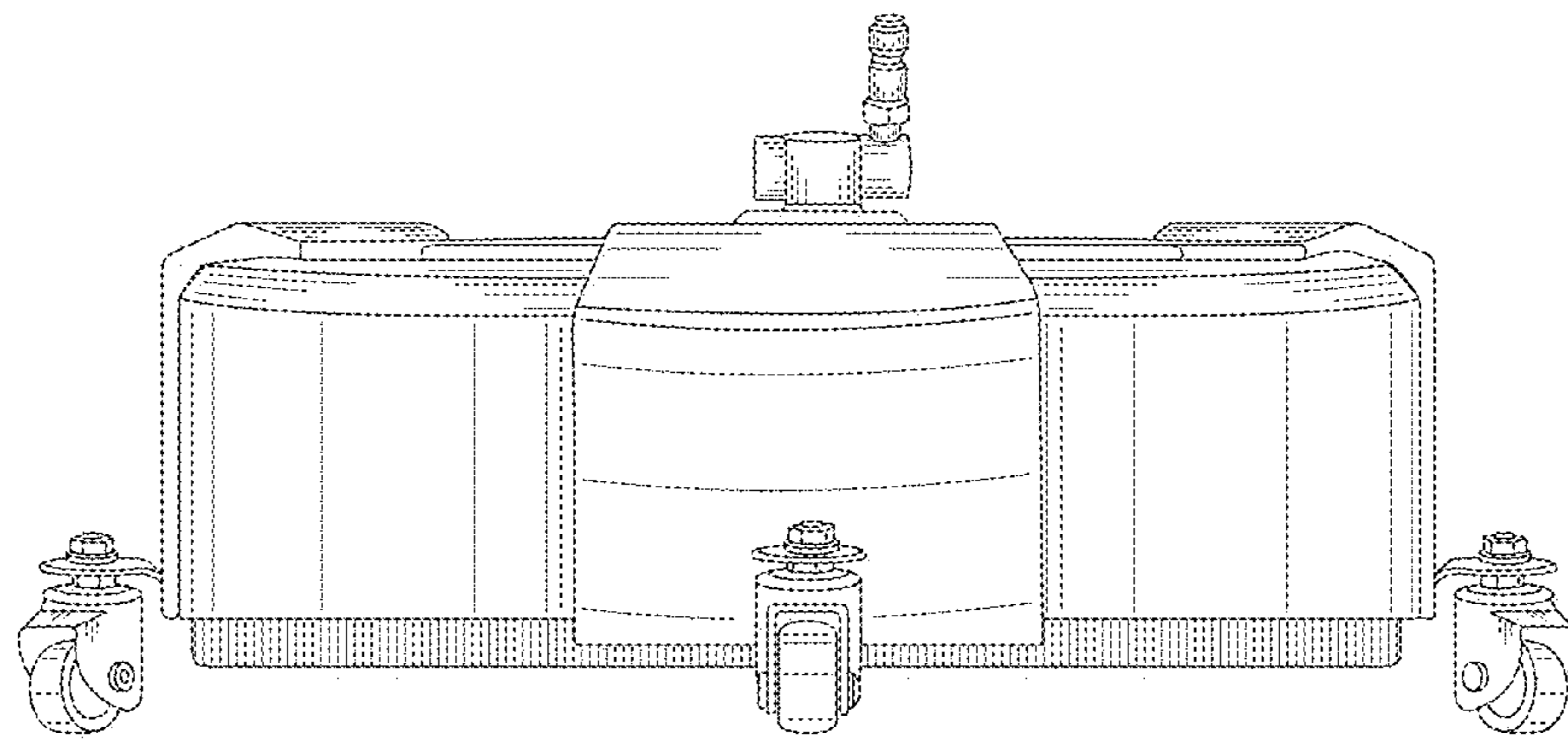


FIG. 3

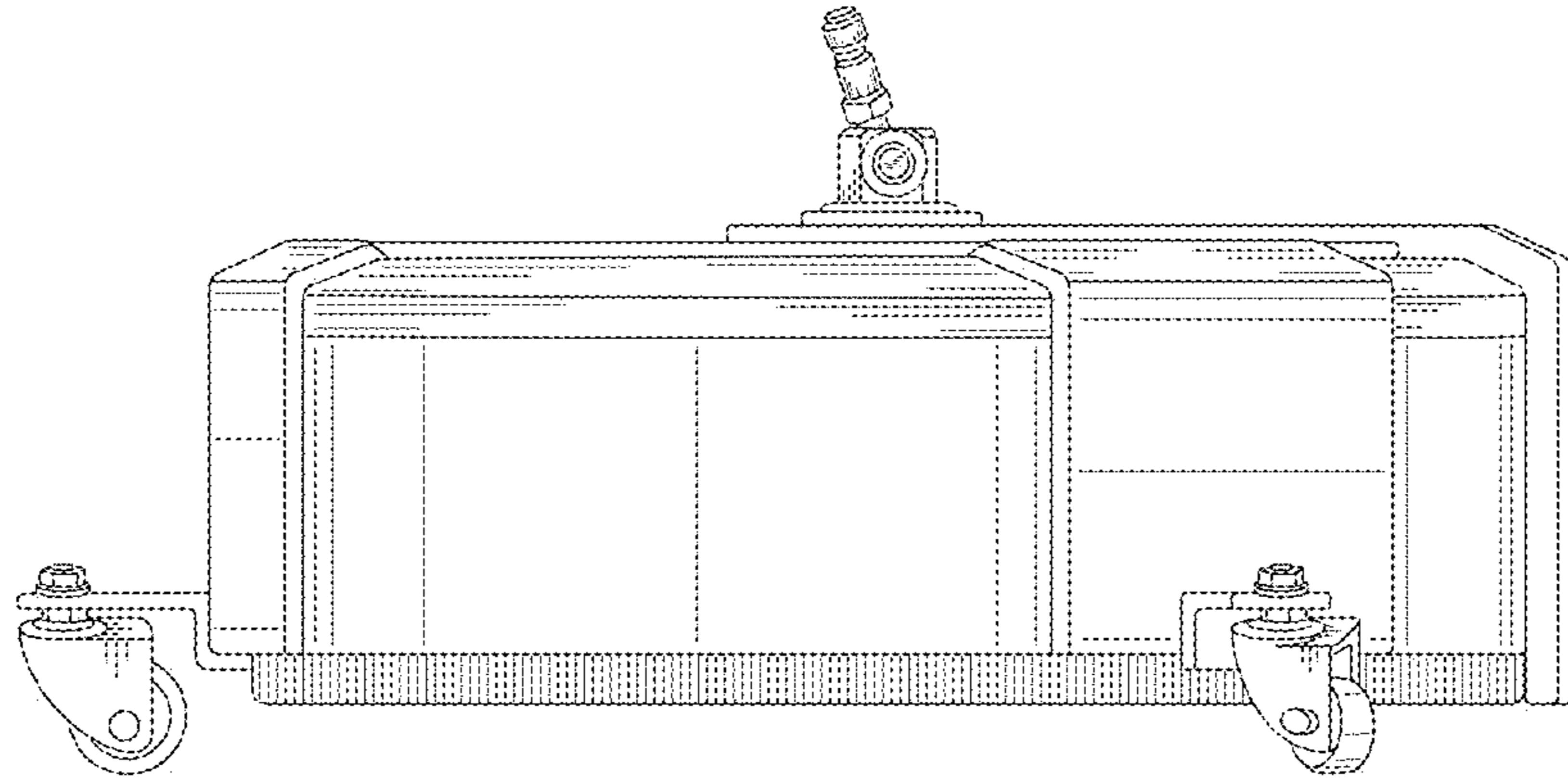


FIG. 4

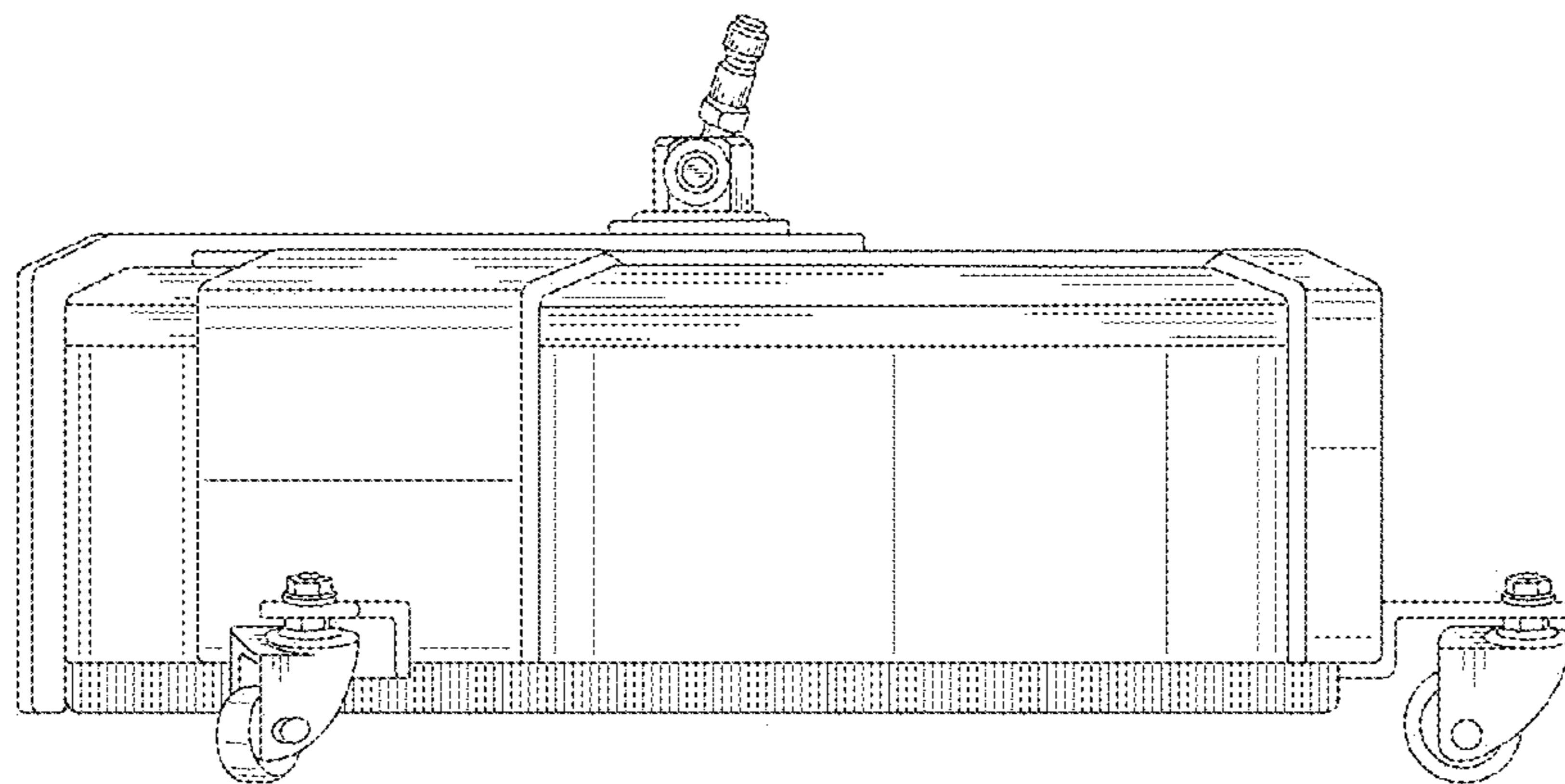


FIG. 5

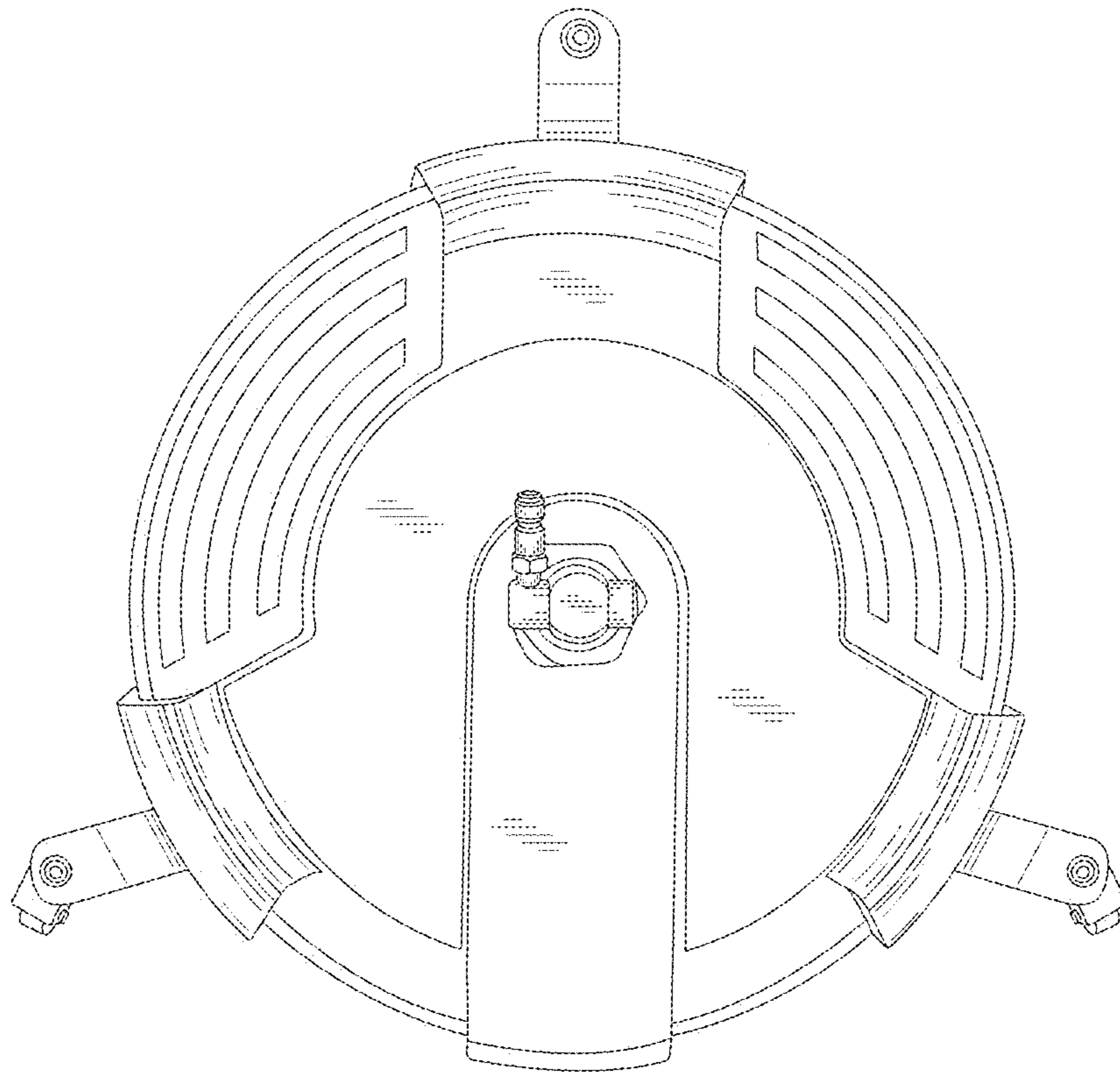


FIG. 6

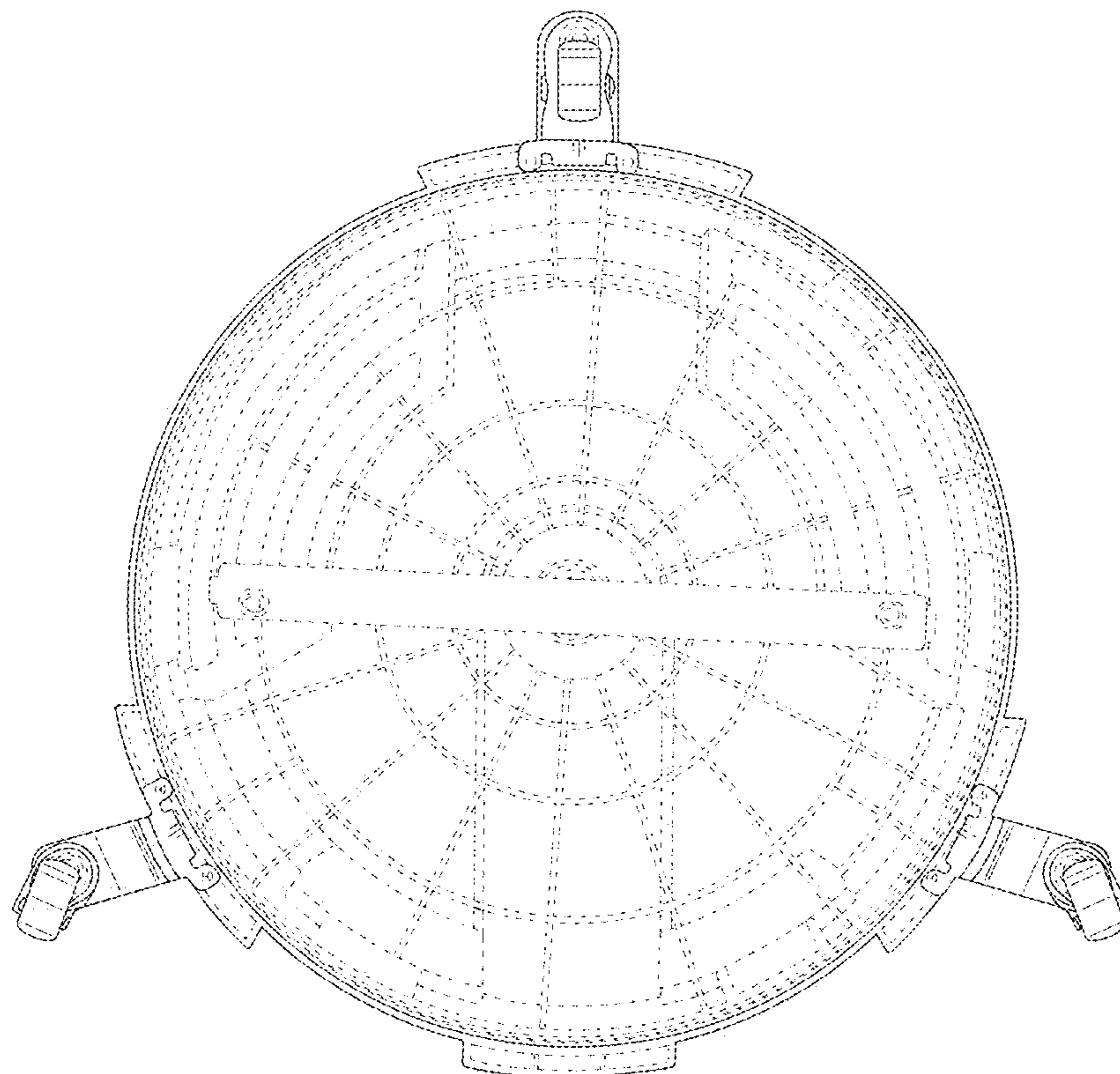


FIG. 7