



US00D953670S

(12) **United States Design Patent**
McRorie et al.

(10) **Patent No.:** **US D953,670 S**
(45) **Date of Patent:** **** May 31, 2022**

(54) **FLOOR CLEANER**

FOREIGN PATENT DOCUMENTS

(71) Applicant: **TTI (MACAO COMMERCIAL OFFSHORE) LIMITED**, Macau (MO)

CN 304444464 * 1/2018
CN 305434382 * 11/2019

(72) Inventors: **Robert McRorie**, Huntersville, NC (US); **Mohammed Irfan**, Huntersville, NC (US)

OTHER PUBLICATIONS

(73) Assignee: **Techtronic Floor Care Technology Limited**, Tortola (VG)

Bissell—Carpet Cleaner, available in Amazon.ca, date first available Oct. 28, 2020 [online], [site visited Aug. 26, 2021], Available from the internet URL: https://www.amazon.ca/Bissell-2806D-PowerClean-TurboBrush-Lightweight/dp/B0887TH2Y3?ref_ast_sto_dp (Year: 2020).*

(**) Term: **15 Years**

(Continued)

(21) Appl. No.: **29/720,709**

Primary Examiner — Amy C Wierenga

(22) Filed: **Jan. 15, 2020**

Assistant Examiner — Jennylou M Binas

(74) *Attorney, Agent, or Firm* — Michael Best & Friedrich LLP

Related U.S. Application Data

(63) Continuation of application No. 29/626,389, filed on Nov. 16, 2017, now Pat. No. Des. 876,037.

(57) **CLAIM**

We claim the ornamental design for a floor cleaner, as shown and described.

(30) **Foreign Application Priority Data**

DESCRIPTION

Jun. 5, 2017 (CN) 201730223549.1

(51) **LOC (13) Cl.** **15-05**

(52) **U.S. Cl.**
USPC **D32/22**

(58) **Field of Classification Search**
USPC D32/15, 21, 22, 24, 31, 33, 45; D21/526
CPC A47L 5/24; A47L 7/0014; A47L 11/24;
A47L 11/4005; A47L 11/4008; A47L
11/4016; A47L 11/4083
See application file for complete search history.

FIG. 1 is a perspective view of a floor cleaner showing the new design.

FIG. 2 is a front side view of the floor cleaner shown in FIG. 1.

FIG. 3 is a back side view of the floor cleaner shown in FIG. 1.

FIG. 4 is a first side view of the floor cleaner shown in FIG. 1.

FIG. 5 is a second side view of the floor cleaner shown in FIG. 1.

FIG. 6 is a top view of the floor cleaner shown in FIG. 1; and,

FIG. 7 is a bottom view of the floor cleaner shown in FIG. 1.

The broken lines shown in the drawings show portions of the floor cleaner that form no part of the claimed design.

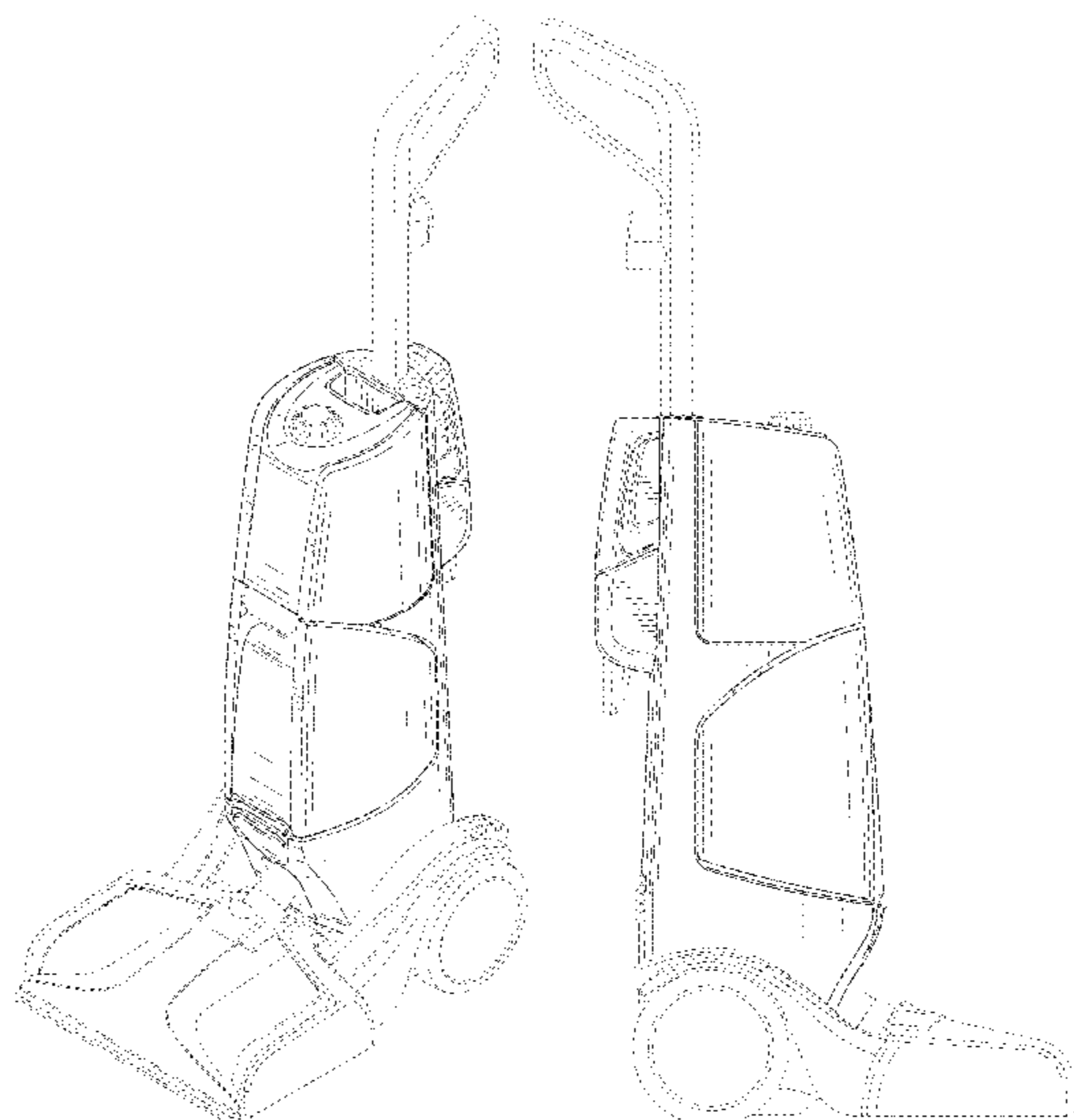
(56) **References Cited**

U.S. PATENT DOCUMENTS

D211,109 S * 5/1968 Gantz D32/30
D309,203 S * 7/1990 Goodrich D32/22
D346,247 S * 4/1994 Furcron D32/22

(Continued)

1 Claim, 6 Drawing Sheets



(56)

References Cited

U.S. PATENT DOCUMENTS

D358,241 S * 5/1995 Bradd D32/22
 5,493,752 A * 2/1996 Crouser A47L 5/32
 15/320
 D406,928 S * 3/1999 Rowley D32/22
 5,901,406 A * 5/1999 Mueller A47L 11/4088
 15/320
 D421,164 S * 2/2000 Luebbering D32/22
 D510,465 S 10/2005 Takahashi
 D521,701 S * 5/2006 Scheifele D32/22
 D551,404 S * 9/2007 Scheifele D32/31
 D647,263 S * 10/2011 Luebbering D32/22
 D660,532 S * 5/2012 Kim D32/22
 D769,557 S 10/2016 Johnson
 D770,106 S 10/2016 Johnson
 D775,440 S * 12/2016 Kwon D32/22
 D784,636 S 4/2017 Canas
 D789,626 S 6/2017 Bloemendaal
 D824,615 S 7/2018 Bloemendaal
 D836,863 S * 12/2018 Theising D32/22
 D845,566 S * 4/2019 Hooley D32/22
 D845,567 S * 4/2019 Hooley D32/22
 D875,334 S * 2/2020 Chavana, Jr. D32/22
 D876,036 S * 2/2020 Irfan D32/22
 D876,037 S * 2/2020 McRorie D32/22
 10,561,292 B2 * 2/2020 Conrad A47L 11/4005
 10,813,519 B2 * 10/2020 Diana A47L 11/302
 D930,926 S * 9/2021 Wrobleski D32/22
 D931,561 S * 9/2021 Meissner D32/21
 D933,318 S * 10/2021 Meissner D32/21
 D937,513 S * 11/2021 Chan D32/22

D938,117 S * 12/2021 Dingert D32/22
 D939,163 S * 12/2021 Knapp D32/22
 11,206,960 B2 * 12/2021 McRorie A46B 13/001
 D940,972 S * 1/2022 Pei D32/22
 2006/0288518 A1 * 12/2006 Lenkiwicz A47L 11/4016
 15/322
 2018/0249871 A1 * 9/2018 Rukavina A47L 9/2821
 2019/0142232 A1 * 5/2019 McRorie A47L 11/34
 15/347
 2020/0196823 A1 * 6/2020 Schneider A47L 11/28
 2021/0251455 A1 * 8/2021 Davila A47L 11/201

OTHER PUBLICATIONS

Hoover FH52001 Smartwash Automatic Upright Carpet Cleaner, available in Amazon.ca, date first available Oct. 13, 2018 [online], [site visited Aug. 26, 2021], Available from the internet URL: https://www.amazon.ca/Hoover-FH52001-Smartwash-Automatic-Upright/dp/B07K2VWV3K?ref=ast_sto_dp (Year: 2018).*

Hoover Power Scrub Deluxe Carpet Washer, FH50150, available in Amazon.ca, date first available May 22, 2013 [online], [site visited Aug. 26, 2021], Available from the internet URL: https://www.amazon.ca/Hoover-Deluxe-Carpet-Washer-FH50150/dp/B009ZJ2M7G?ref=ast_sto_dp&th=1&psc=1 (Year: 2013).*

Vax 1-1-142257 Platinum Smartwash Carpet Cleaner, available in Amazon.co.uk, date first available May 17, 2021 [online], [site visited Sep. 9, 2021], Available from the internet URL: https://www.amazon.co.uk/Vax-1-1-142257-Platinum-Smartwash-Charcoal/dp/B08XK5C5TT/ref=psdc_3147751_t5_B07MWDYH1F (Year: 2021).*

* cited by examiner

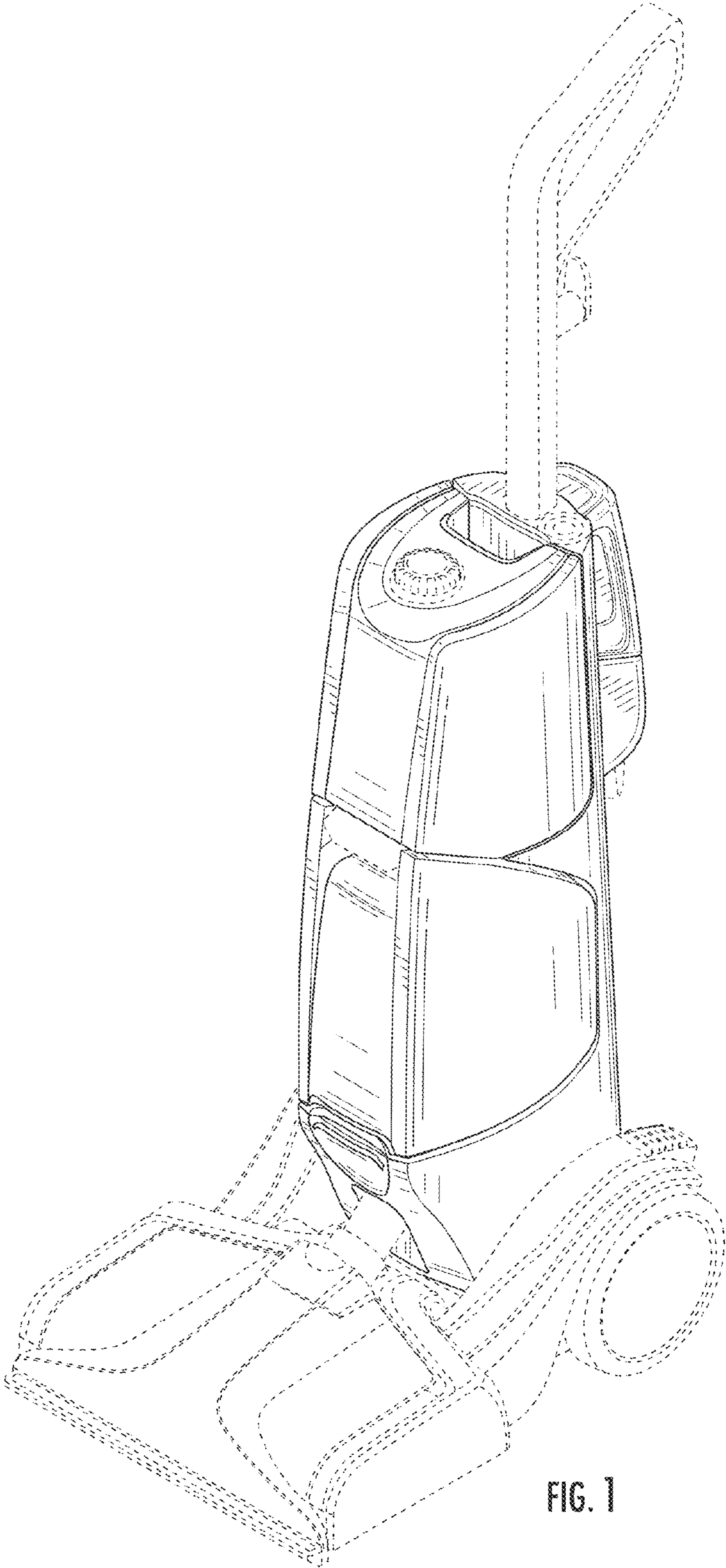


FIG. 1

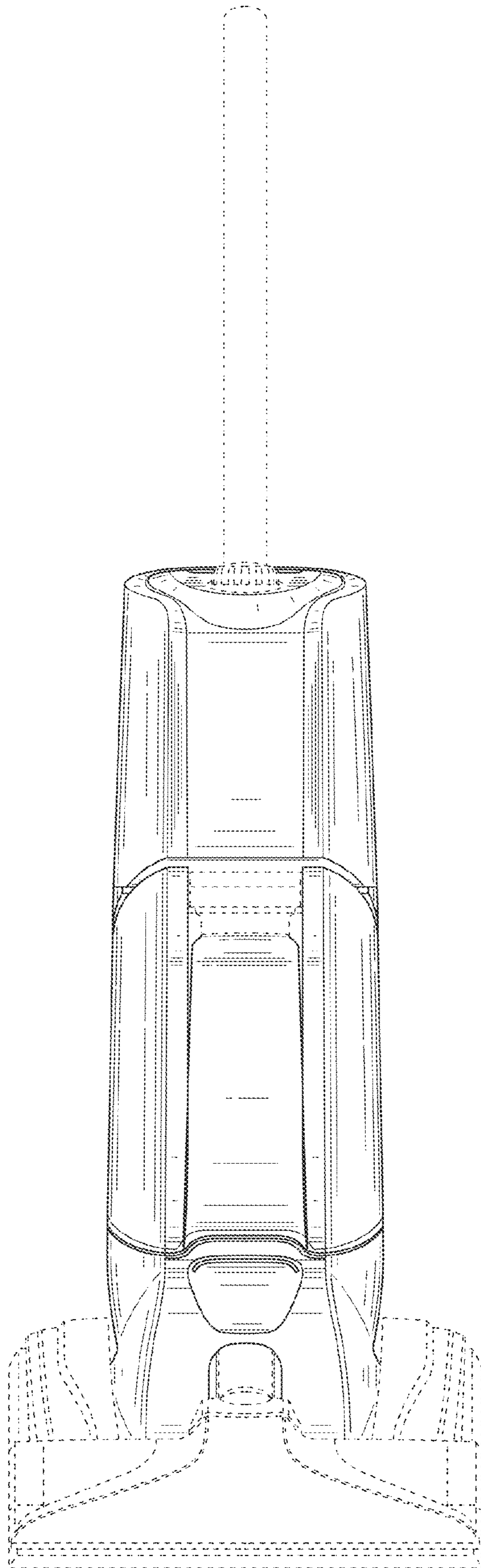


FIG. 2

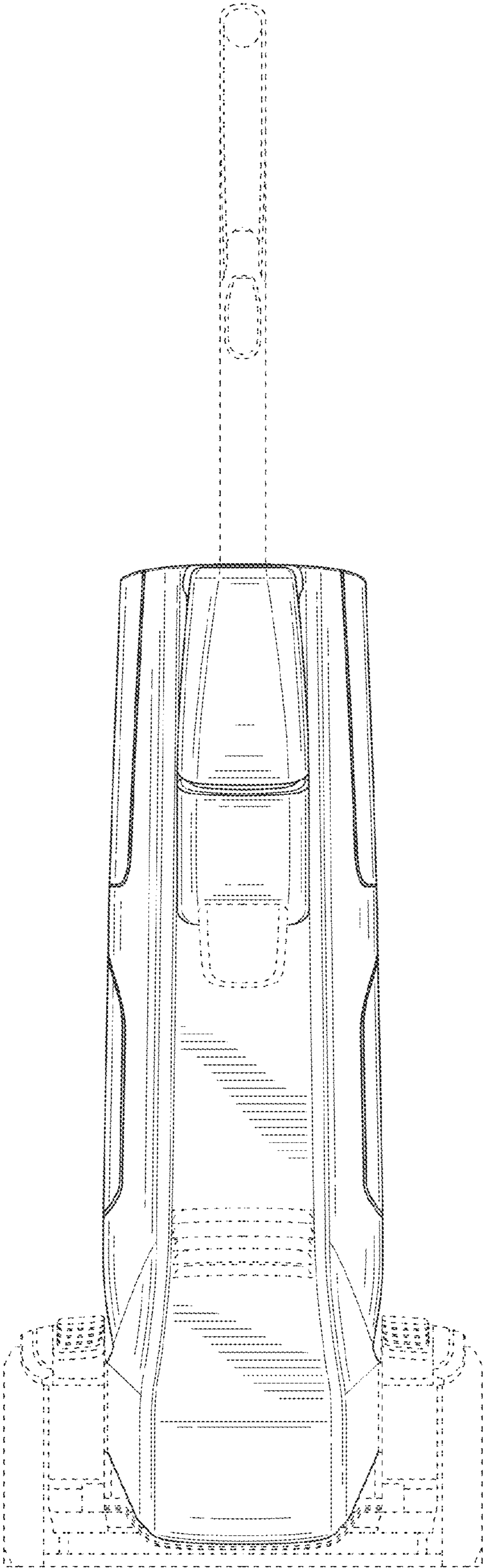


FIG. 3

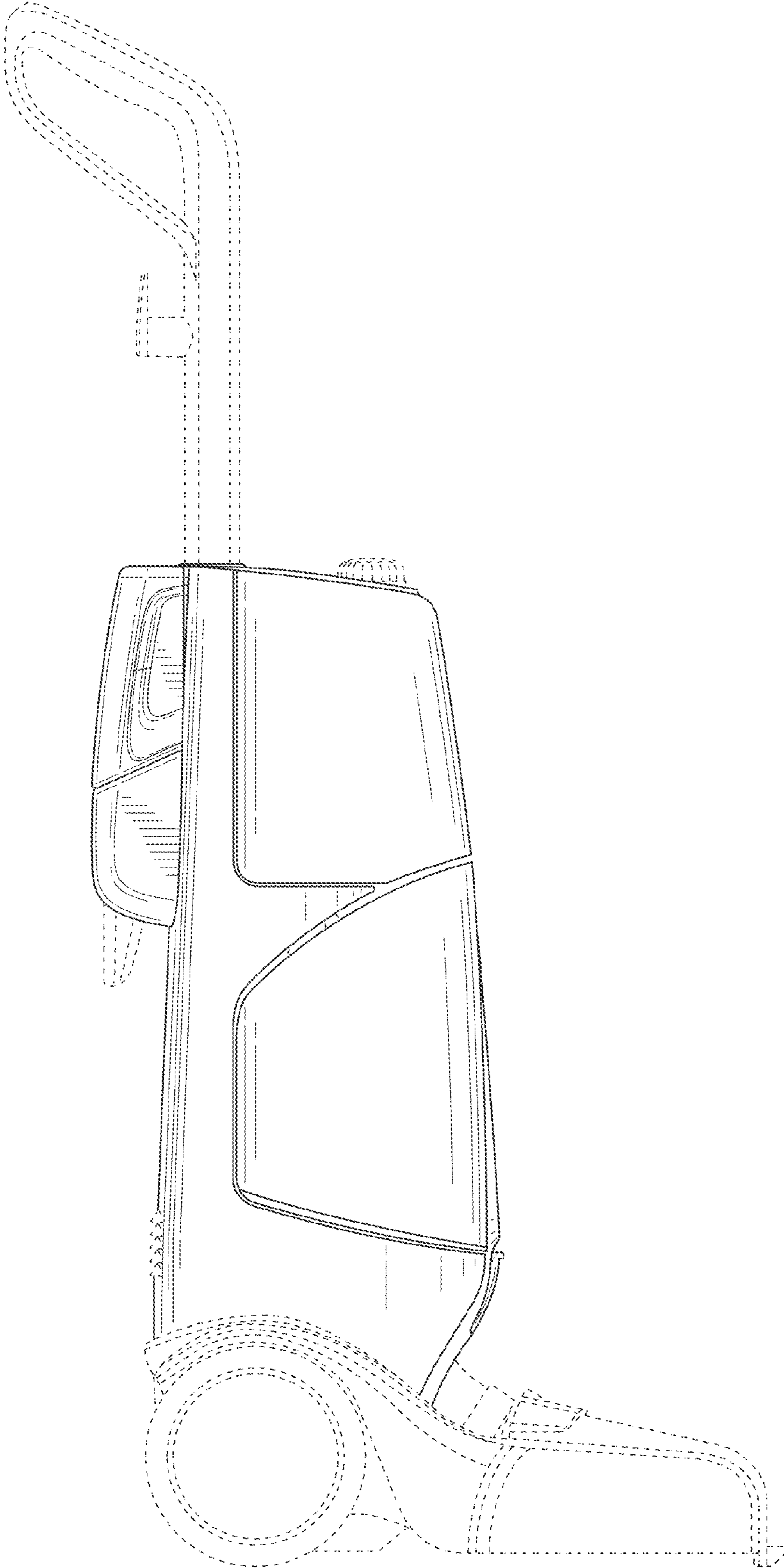


FIG. 4

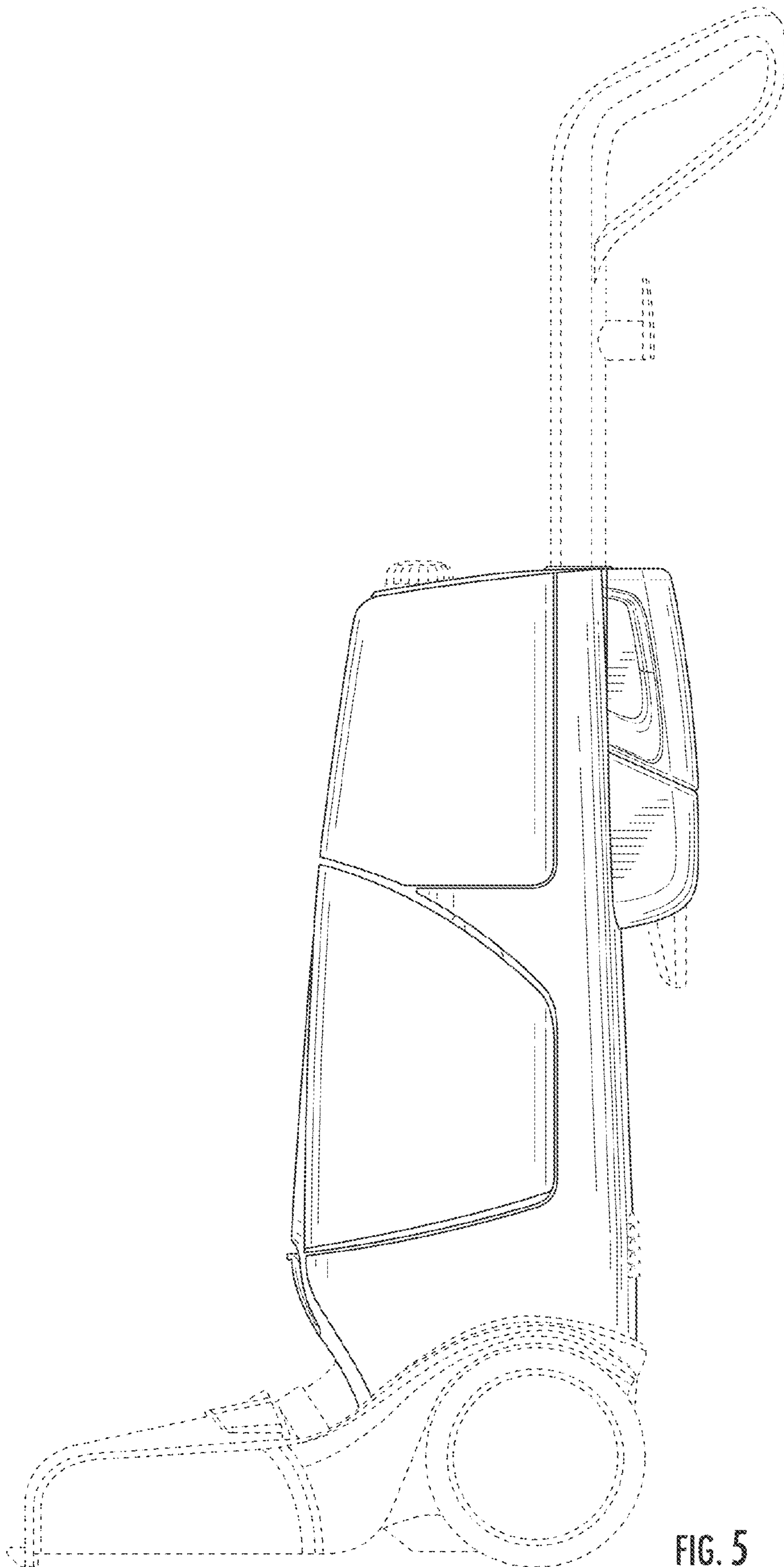


FIG. 5

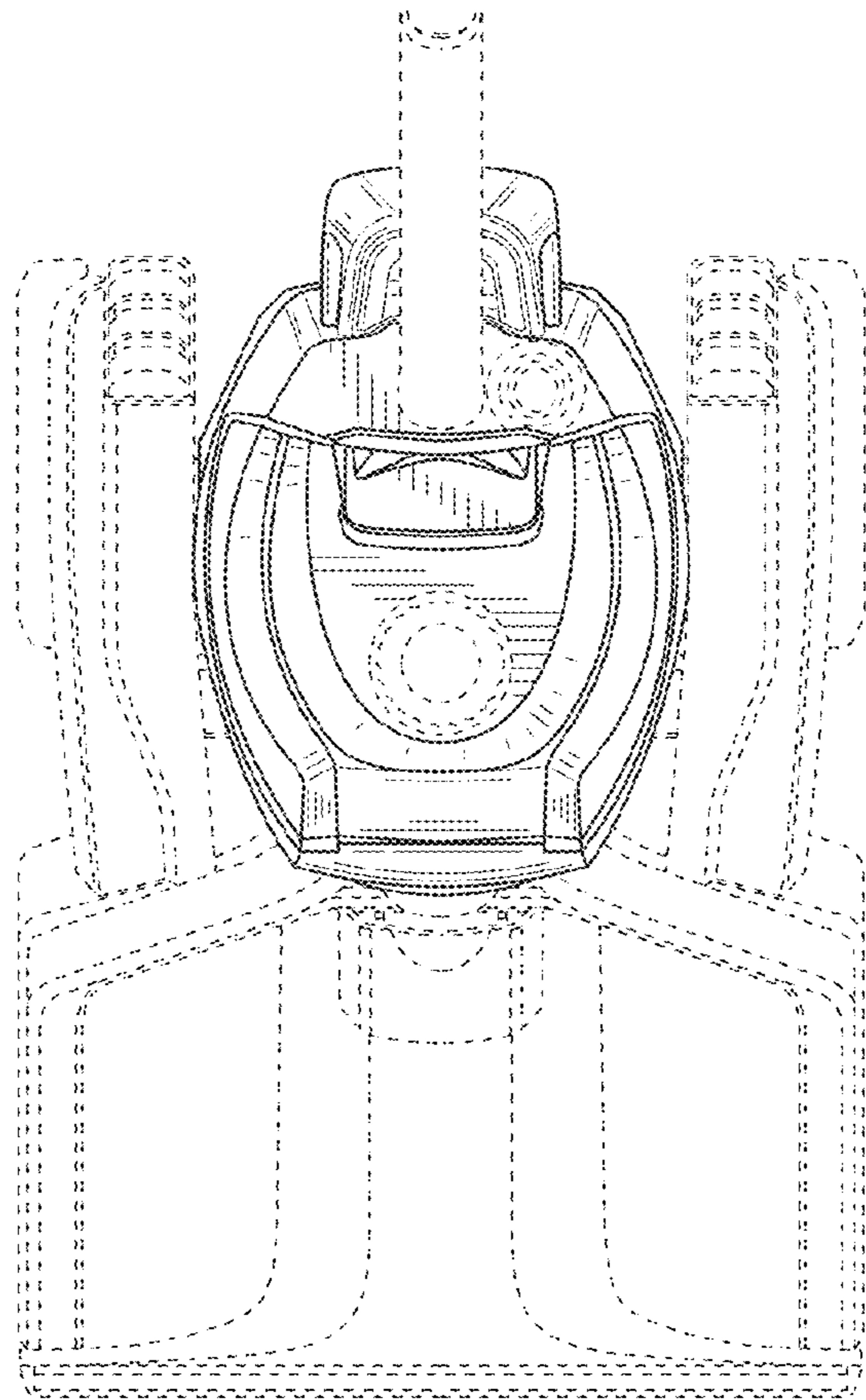


FIG. 6

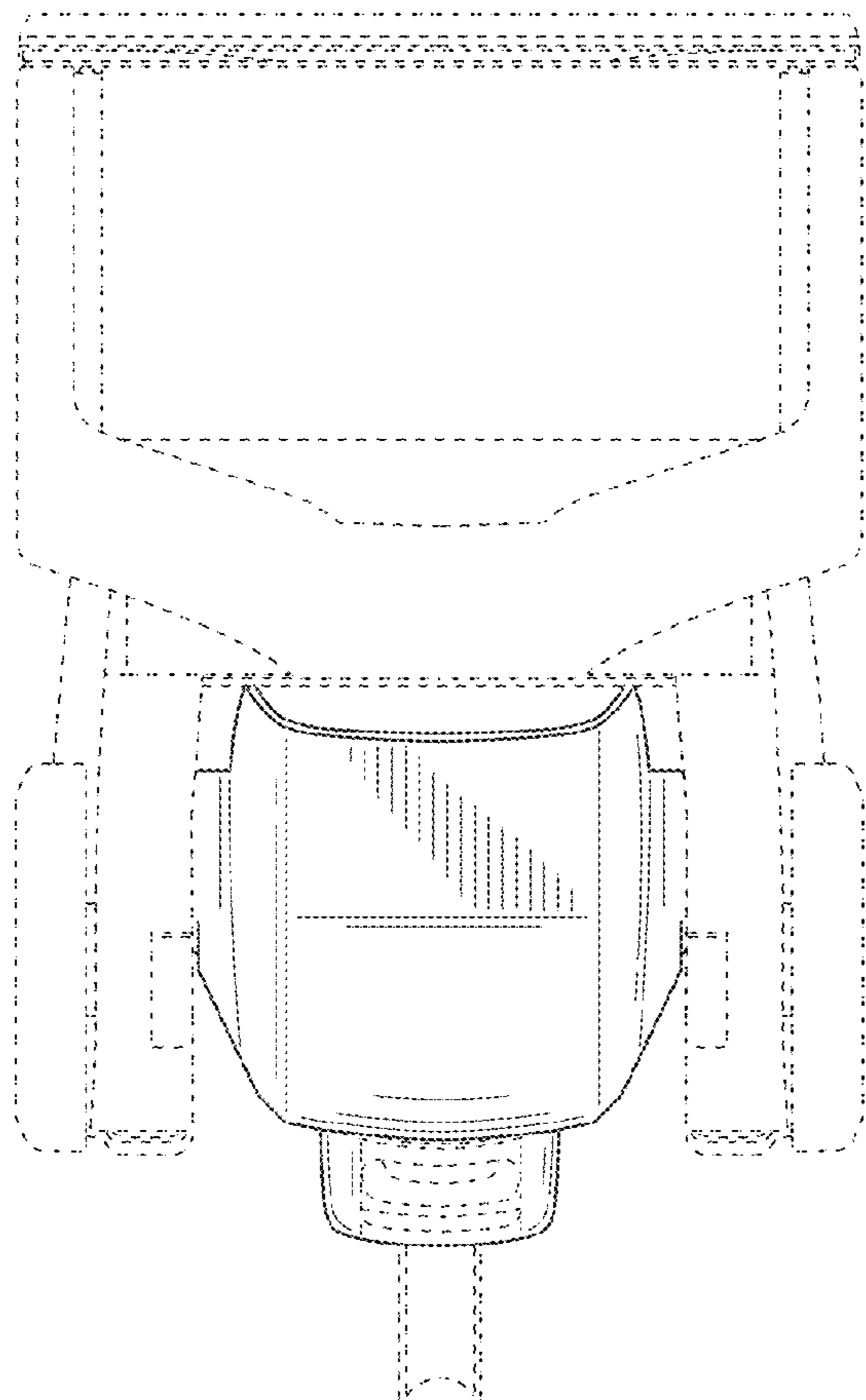


FIG. 7