



US00D953669S

(12) **United States Design Patent**
Kuhls

(10) **Patent No.:** **US D953,669 S**
(45) **Date of Patent:** **** May 31, 2022**

(54) **VACUUM CLEANER**

(71) Applicant: **Festool GmbH**, Wendlingen (DE)
(72) Inventor: **Timo Kuhls**, Stuttgart (DE)
(73) Assignee: **FESTOOL GmbH**, Wendlingen (DE)
(**) Term: **15 Years**

(21) Appl. No.: **29/681,840**
(22) Filed: **Feb. 28, 2019**

(30) **Foreign Application Priority Data**

Aug. 31, 2018 (DE) 402018100867.2
(51) **LOC (13) Cl.** **15-05**
(52) **U.S. Cl.**
USPC **D32/21**
(58) **Field of Classification Search**
USPC D32/21, 24, 31; D3/276, 294; D13/108,
D13/109; D15/144
CPC A47L 5/24; A47L 5/28; A47L 5/30; A47L
5/34; A47L 7/0004; A47L 9/04; A47L
9/325; A47L 9/1683; A47L 11/30; A47L
11/302; A47L 11/34; A47L 11/4005;
A47L 11/4008; A47L 11/4016; A47L
11/4041; A47L 11/4044; B04C 5/185;
B08B 3/04; B23Q 11/0046; B23Q
11/0071; E04H 4/1636
See application file for complete search history.

(56) **References Cited**

U.S. PATENT DOCUMENTS

D633,665 S * 3/2011 Dammkoehler D32/21
D655,874 S * 3/2012 Dammkoehler D32/24
D715,505 S * 10/2014 Dammkoehler D32/21
(Continued)

FOREIGN PATENT DOCUMENTS

WO D200856-001 * 8/2019
WO D200856-002 * 8/2019
(Continued)

OTHER PUBLICATIONS

Festool HEPA Dust Extractors, announced in YouTube on Oct. 27, 2014 [online], [site visited] Jan. 25, 2021], Available from the internet URL: <https://www.youtube.com/watch?v=EswZ4FpauPc> (Year: 2014).*

(Continued)

Primary Examiner — Amy C Wierenga
Assistant Examiner — Jennylou M Binas
(74) *Attorney, Agent, or Firm* — Hoffmann and Baron, LLP

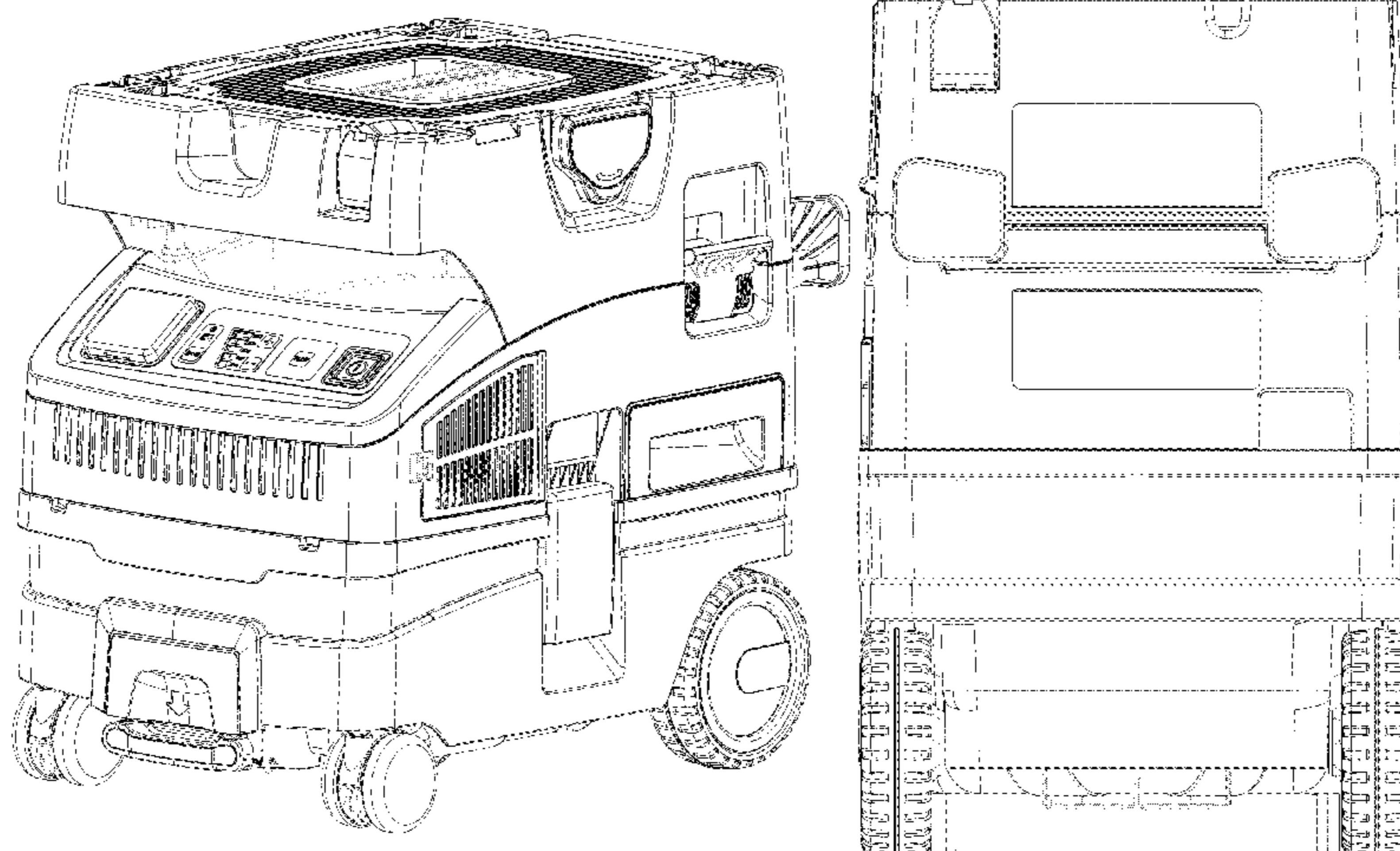
(57) **CLAIM**

The ornamental design for a vacuum cleaner, as shown and described.

DESCRIPTION

FIG. 1 is a top front perspective view of a vacuum cleaner showing my new design;
FIG. 2 is a right side plan view thereof;
FIG. 3 is a left side plan view thereof;
FIG. 4 is a front plan view thereof;
FIG. 5 is a back plan view thereof;
FIG. 6 is a top plan view thereof;
FIG. 7 is a bottom plan view thereof;
FIG. 8 is a top perspective view of a second embodiment of the vacuum cleaner showing my new design;
FIG. 9 is a right side plan view thereof;
FIG. 10 is a left side plan view thereof;
FIG. 11 is a front plan view thereof;
FIG. 12 is a back plan view thereof;
FIG. 13 is a top plan view thereof; and,
FIG. 14 is a bottom plan view thereof.
The broken lines show portions of the vacuum cleaner that form no part of the claimed design.

1 Claim, 14 Drawing Sheets



(56)

References Cited

U.S. PATENT DOCUMENTS

D725,328 S * 3/2015 Aglassinger D32/21
 D725,329 S * 3/2015 Aglassinger D32/21
 D746,523 S * 12/2015 Jin D32/21
 D782,759 S * 3/2017 Mathiassen D32/21
 D802,861 S * 11/2017 Jin D32/21
 D830,015 S * 10/2018 Jin D32/21
 2020/0100638 A1 * 4/2020 Caspar A47L 9/2884
 2020/0101574 A1 * 4/2020 Caspar H04W 76/10
 2020/0146520 A1 * 5/2020 Caspar B25F 5/00
 2020/0221912 A1 * 7/2020 Caspar A47L 7/0095

FOREIGN PATENT DOCUMENTS

WO D200856-003 * 8/2019
 WO D200856-004 * 8/2019
 WO D200856-005 * 8/2019
 WO D200856-006 * 8/2019
 WO D200856-007 * 8/2019
 WO D200856-008 * 8/2019
 WO D200856-009 * 8/2019

WO D206961-001 * 9/2020
 WO D206961-002 * 9/2020
 WO D206961-003 * 9/2020
 WO D206961-004 * 9/2020
 WO D206961-005 * 9/2020

OTHER PUBLICATIONS

Festool CT 15 HEPA Dust Extractor, announced in YouTube on Jan. 8, 2020 [online], [site visited] Jan. 25, 2021], Available from the internet URL: <https://www.youtube.com/watch?v=0ILR4iqBHA4> (Year: 2020).*

Festool CT Dust Extractors: New CT Mini/Midi I, announced in YouTube on Jul. 25, 2019 [online], [site visited] Jan. 25, 2021], Available from the internet URL: <https://www.youtube.com/watch?v=9SNjCjGPbhA> (Year: 2019).*

Professional 1600w Water filter wet/dry vacuum, available in alibaba.com on 2018 [online], [site visited] Jan. 25, 2021], Available from the internet URL: https://www.alibaba.com/product-detail/Professional-1600W-Water-Filter-Wet-And_62077958934.html?spm=a2700.pc_countrysearch.main07.3.437d7%E2%80%A6 (Year: 2018).*

* cited by examiner

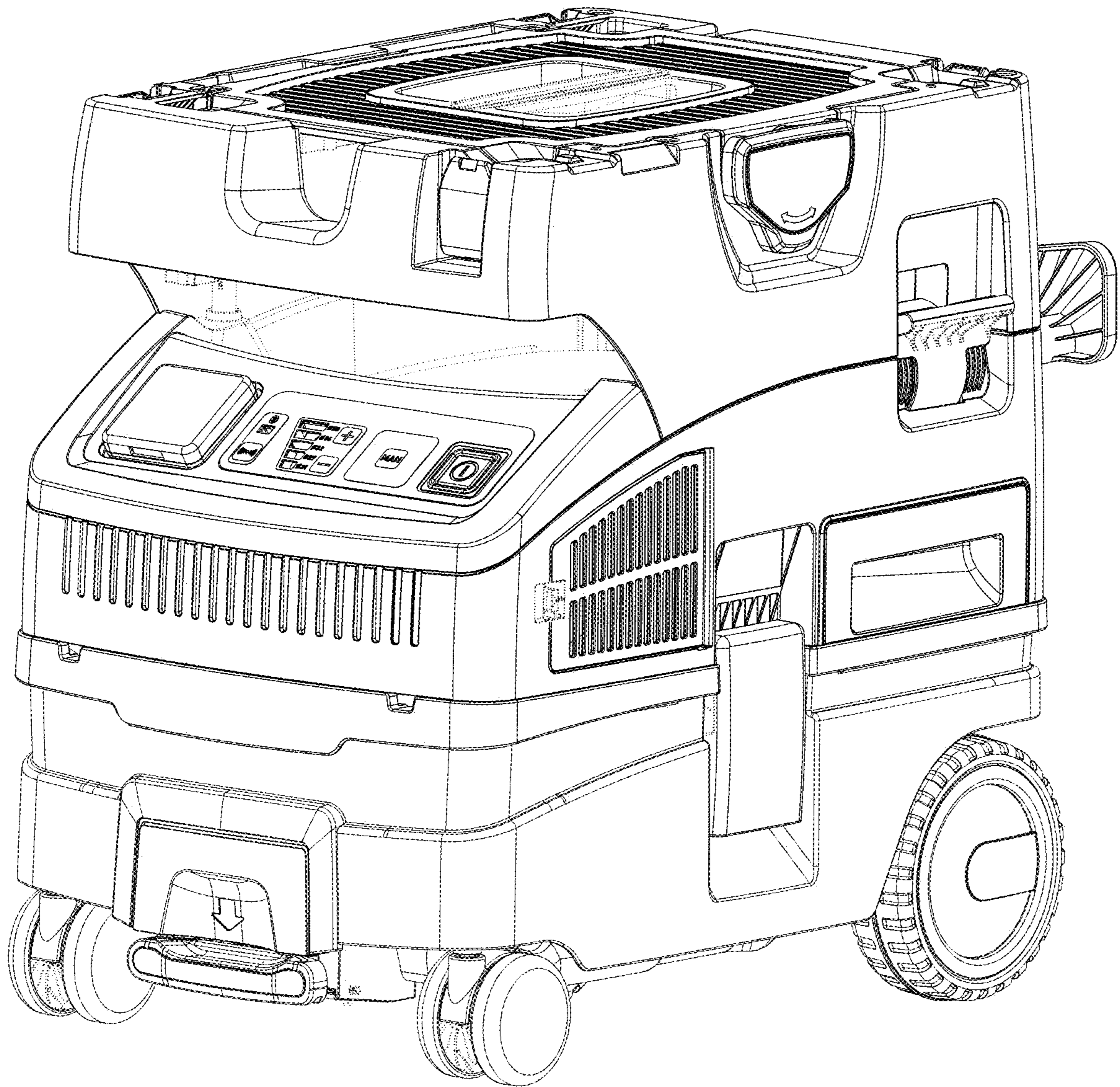


FIG. 1

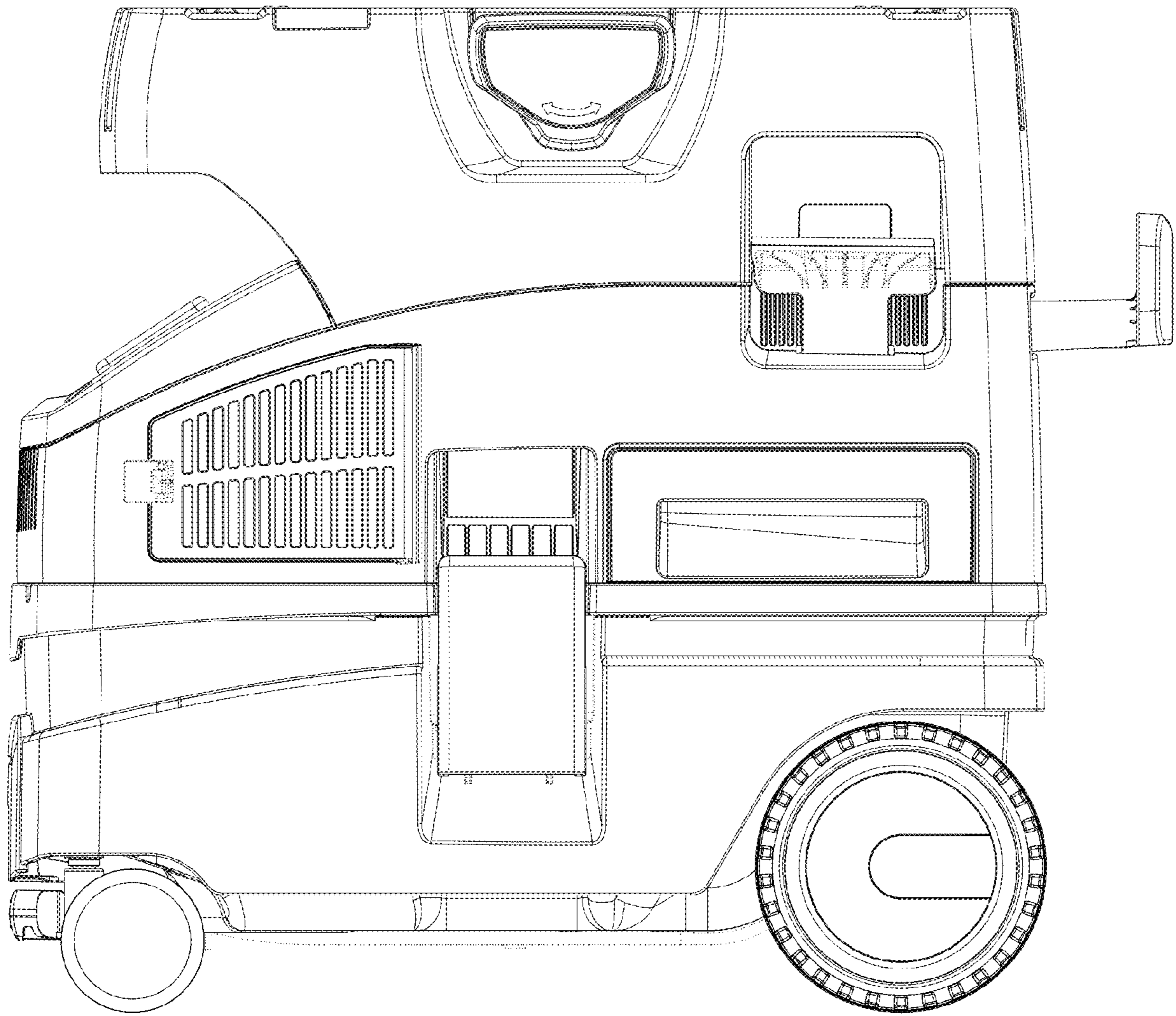


FIG. 2

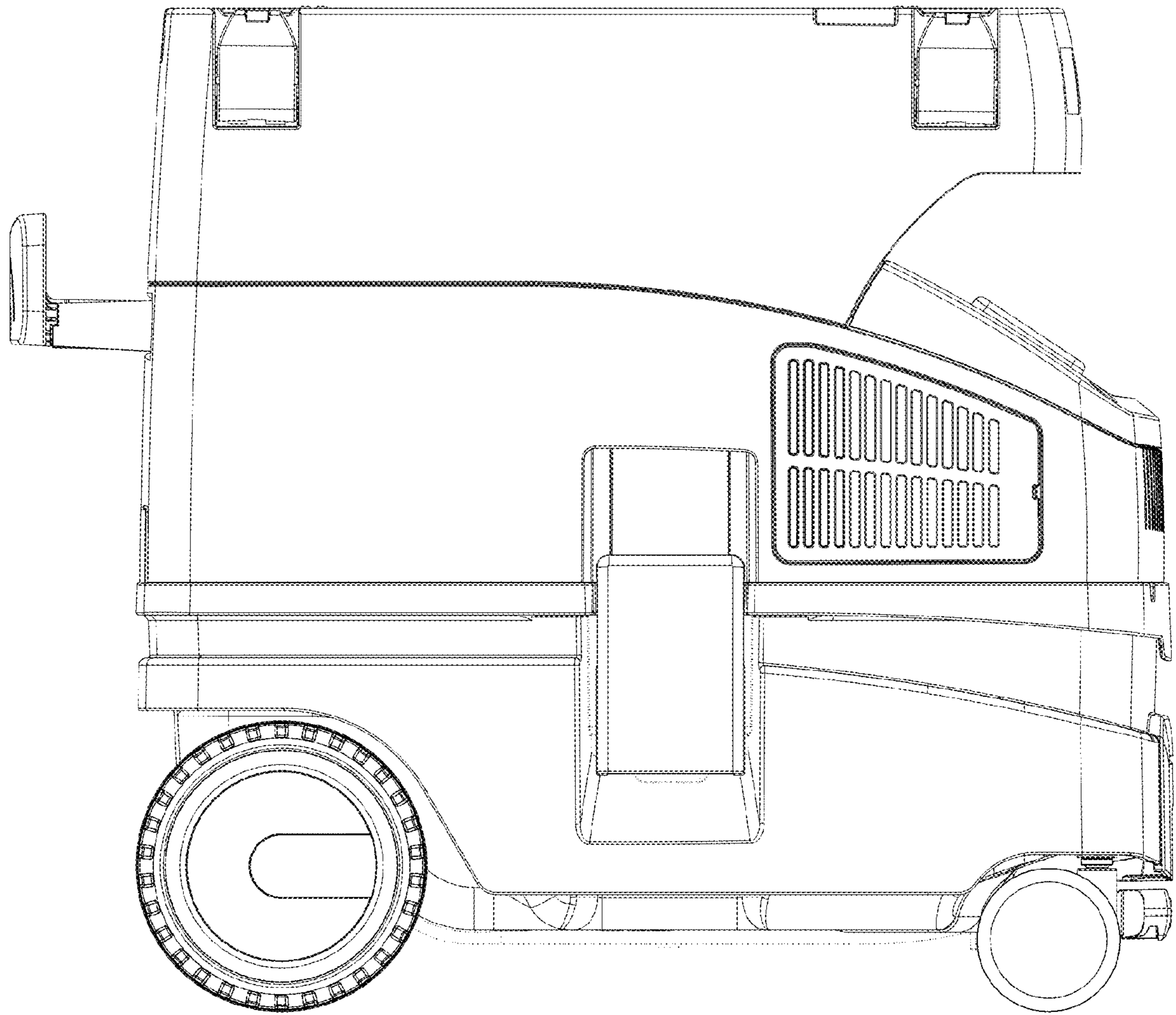


FIG. 3

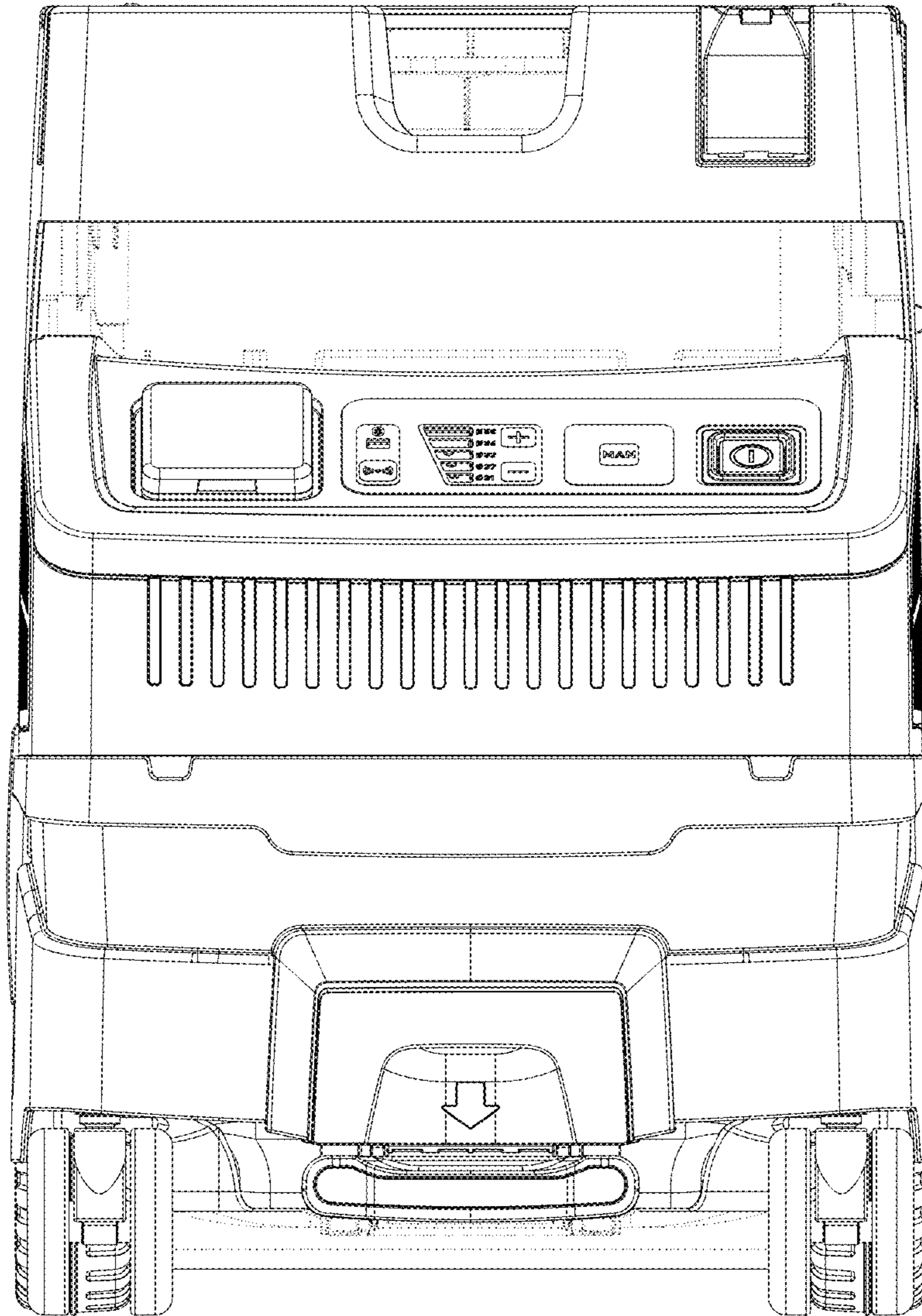


FIG. 4

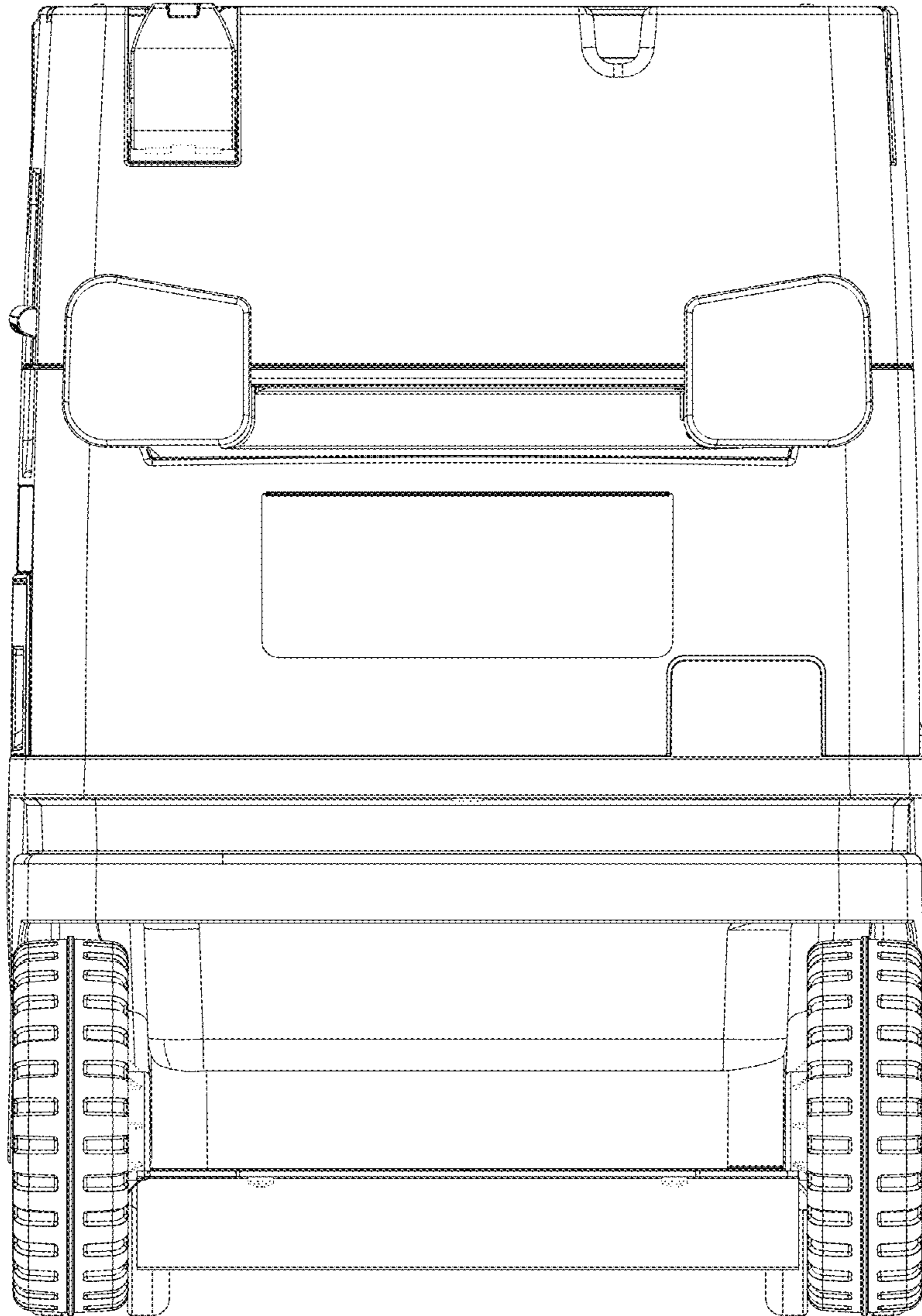


FIG. 5

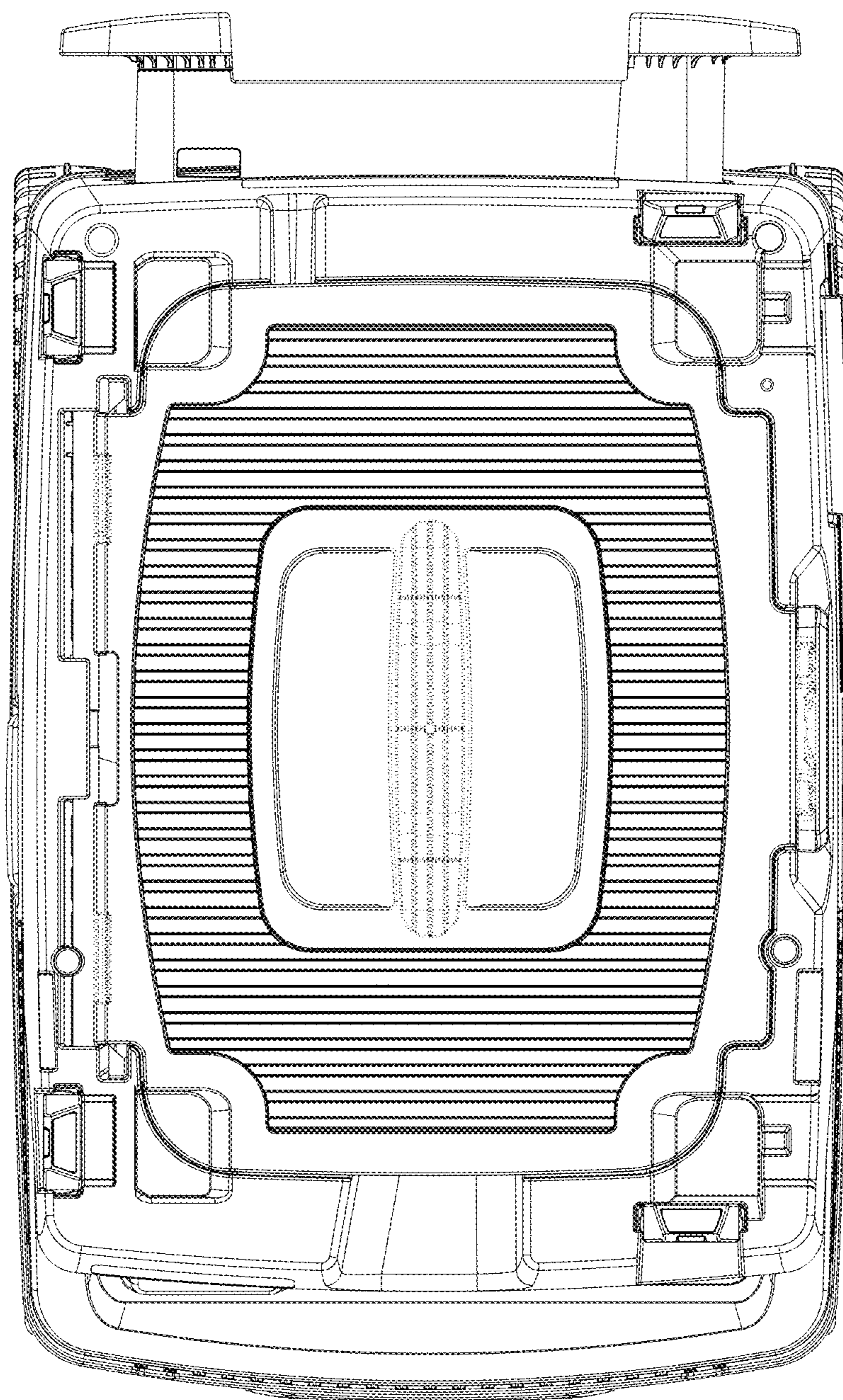


FIG. 6

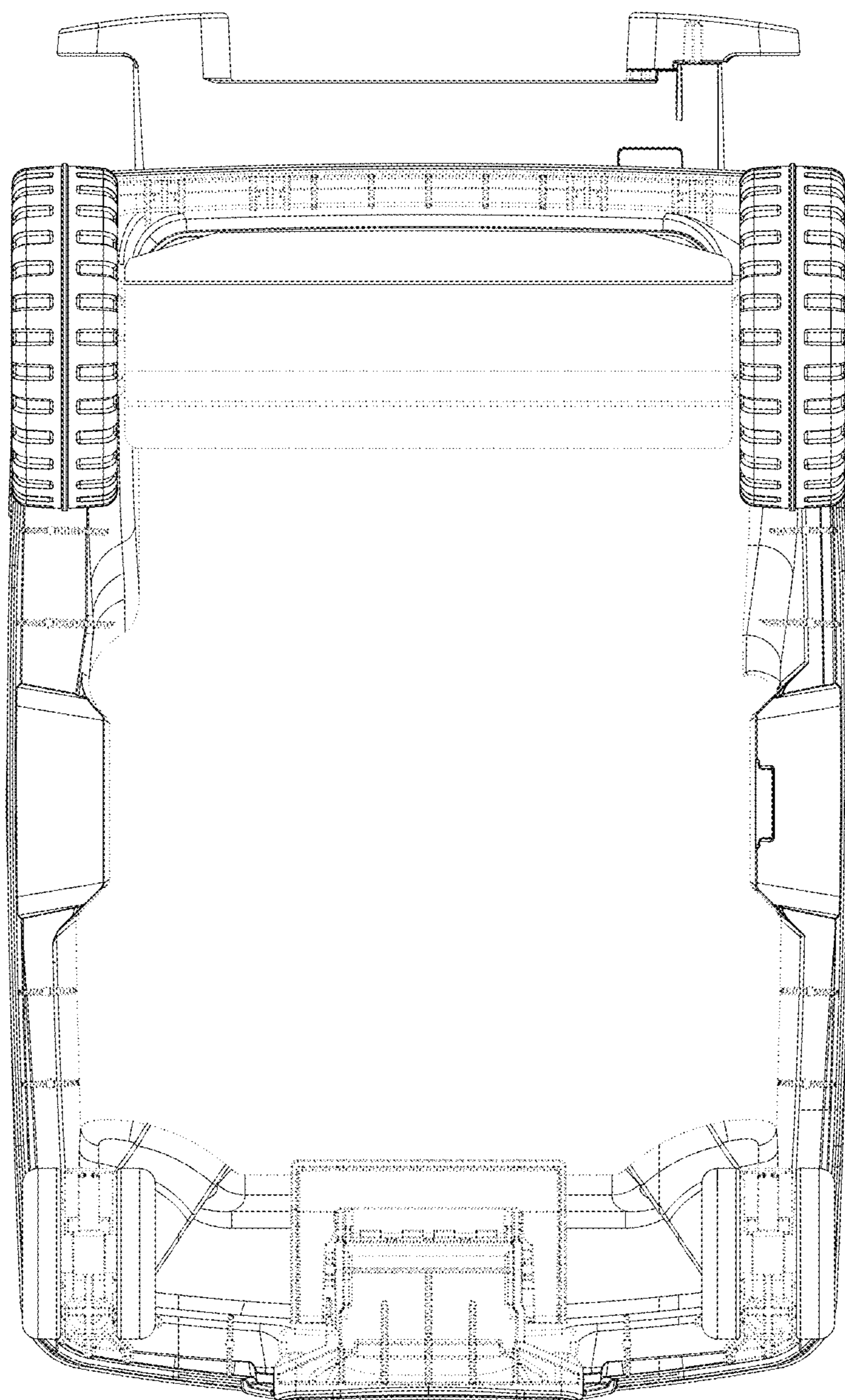


FIG. 7

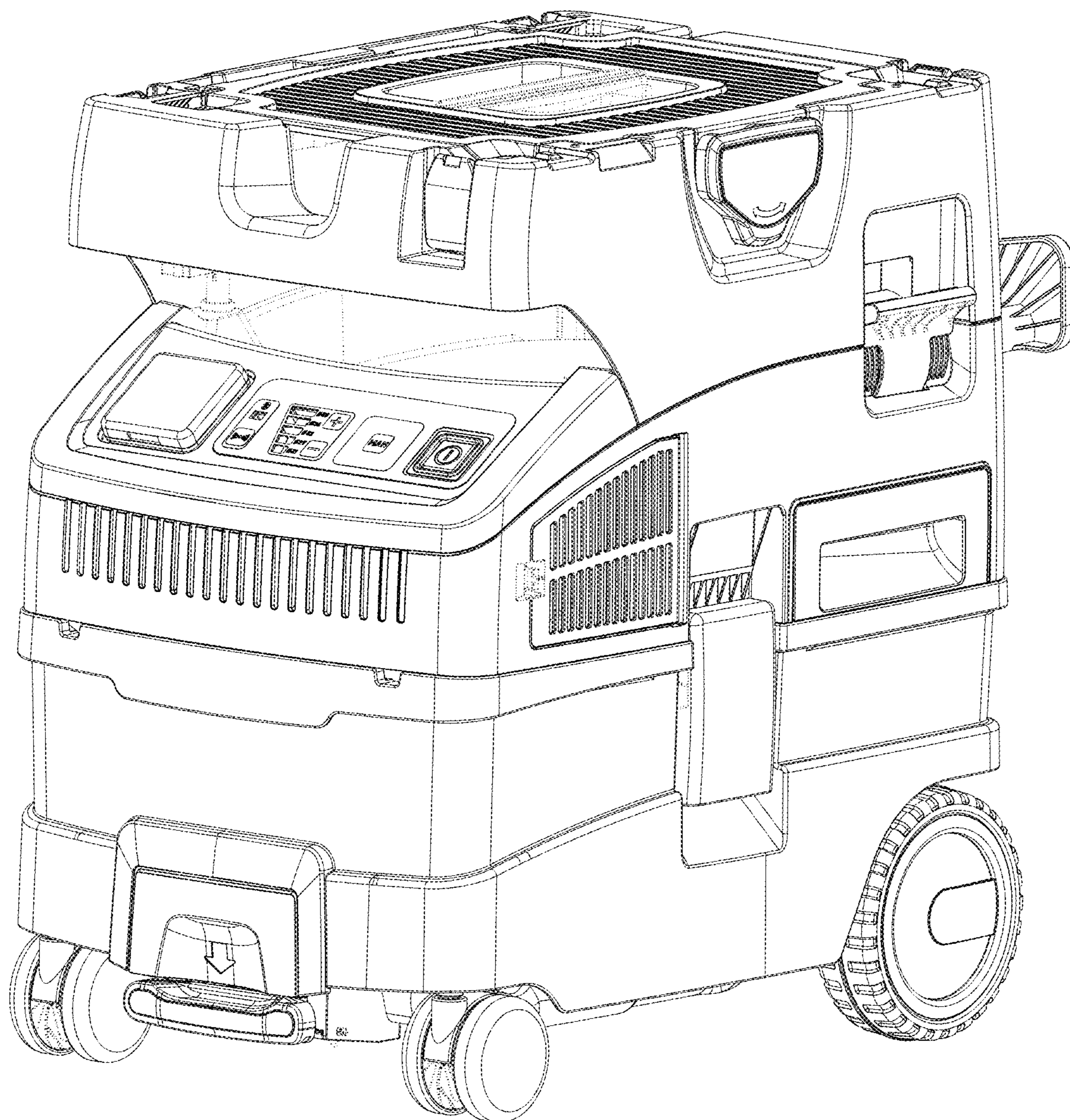


FIG. 8

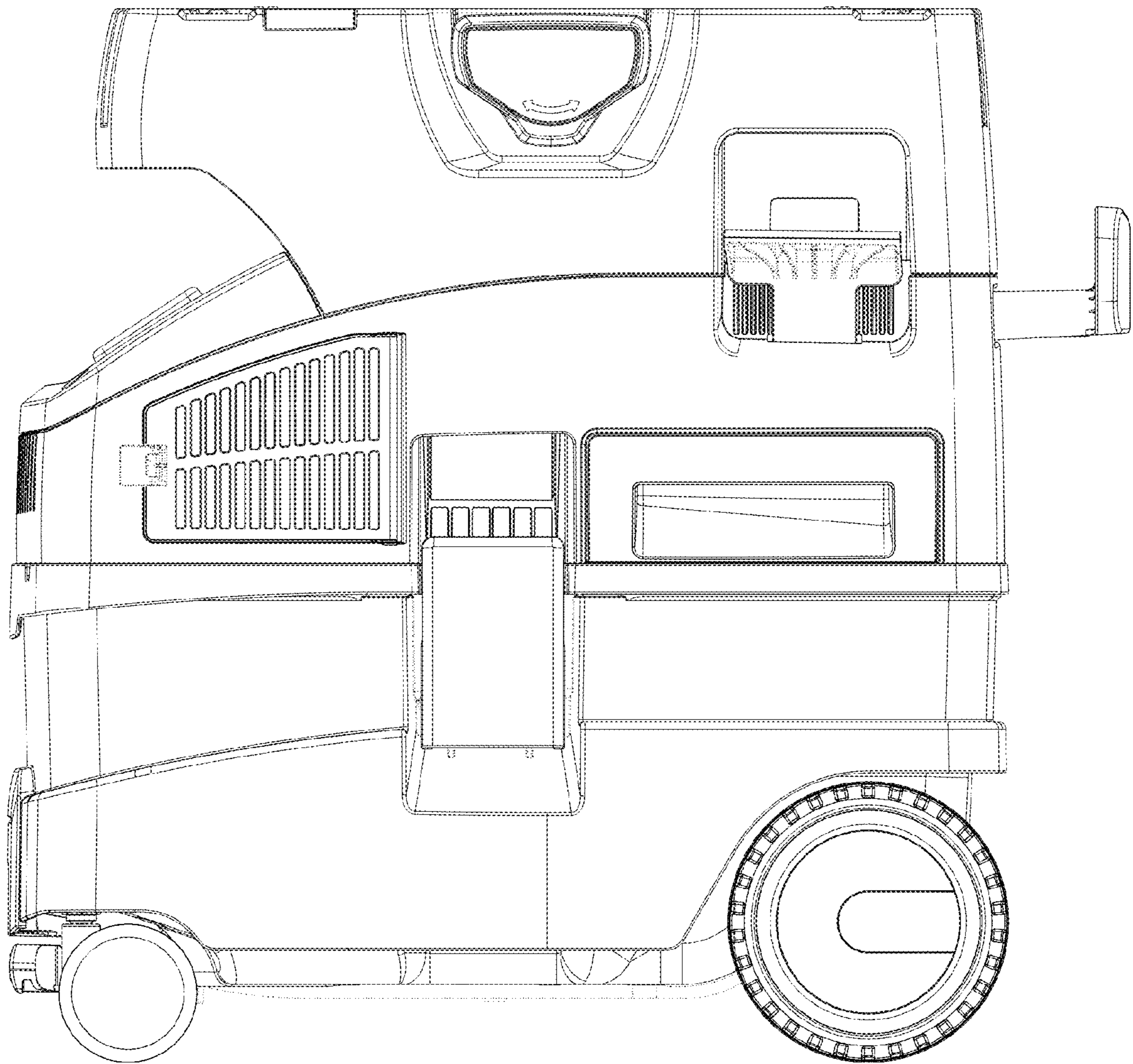


FIG. 9

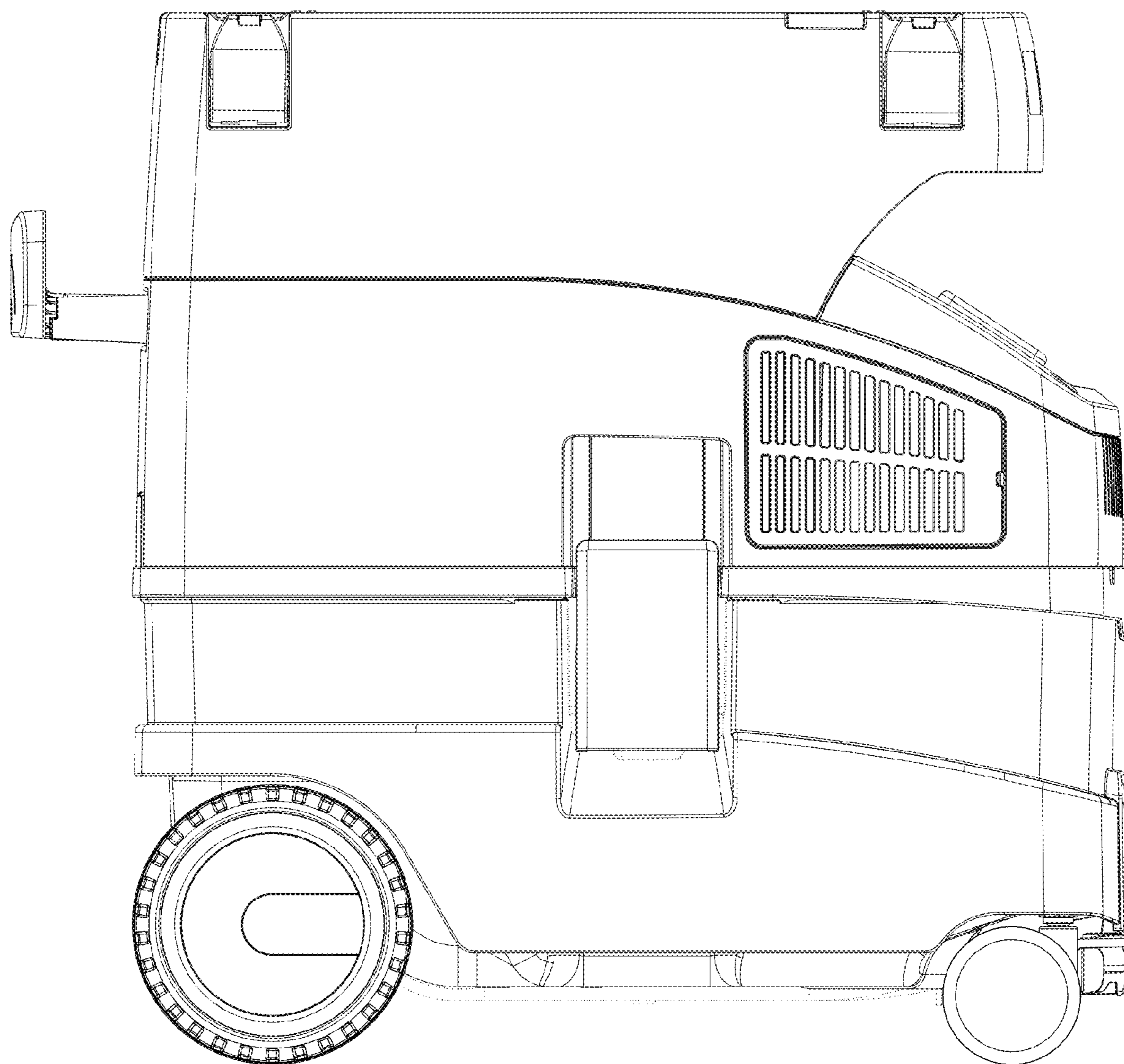


FIG. 10

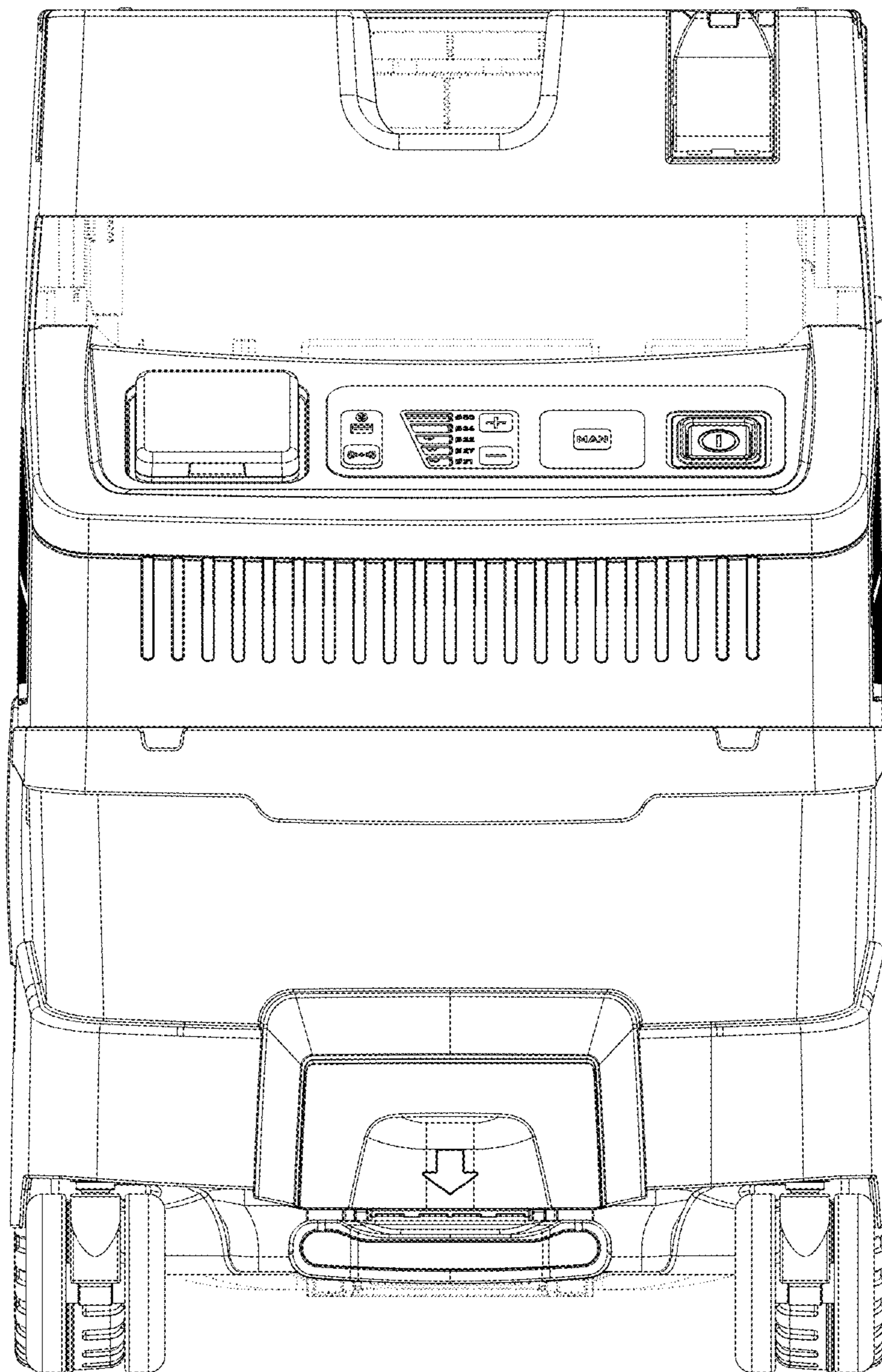


FIG. 11

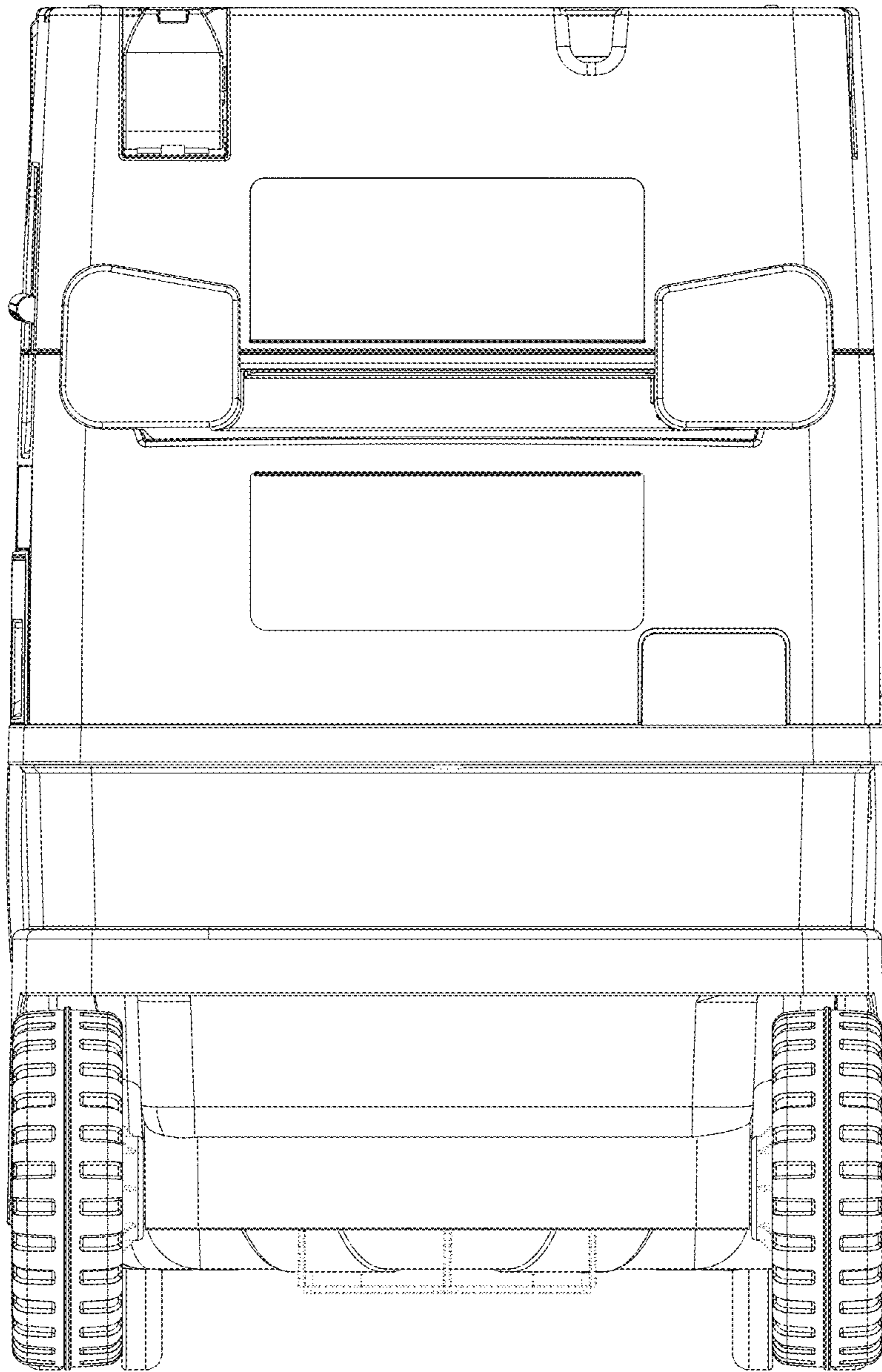


FIG. 12

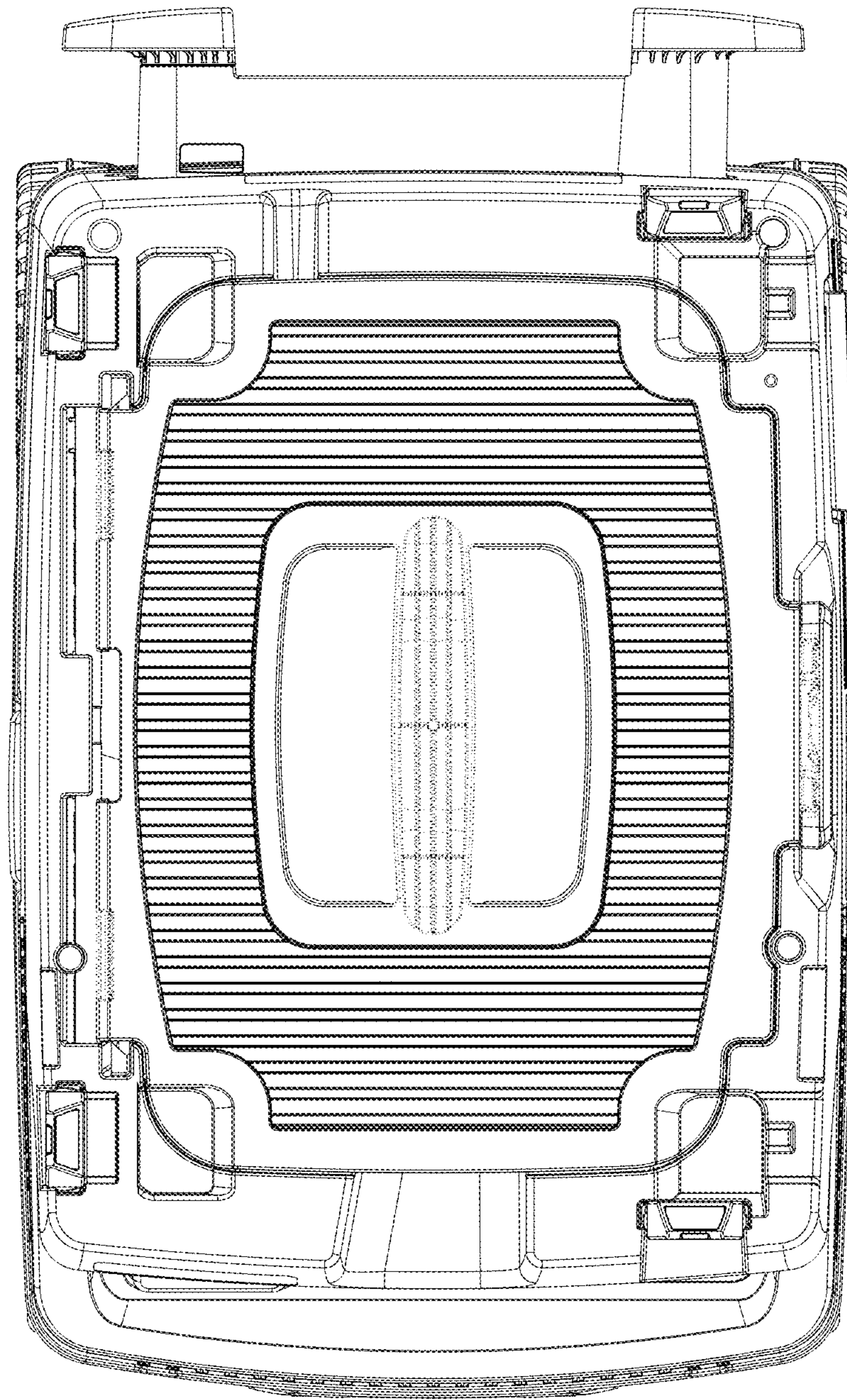


FIG. 13

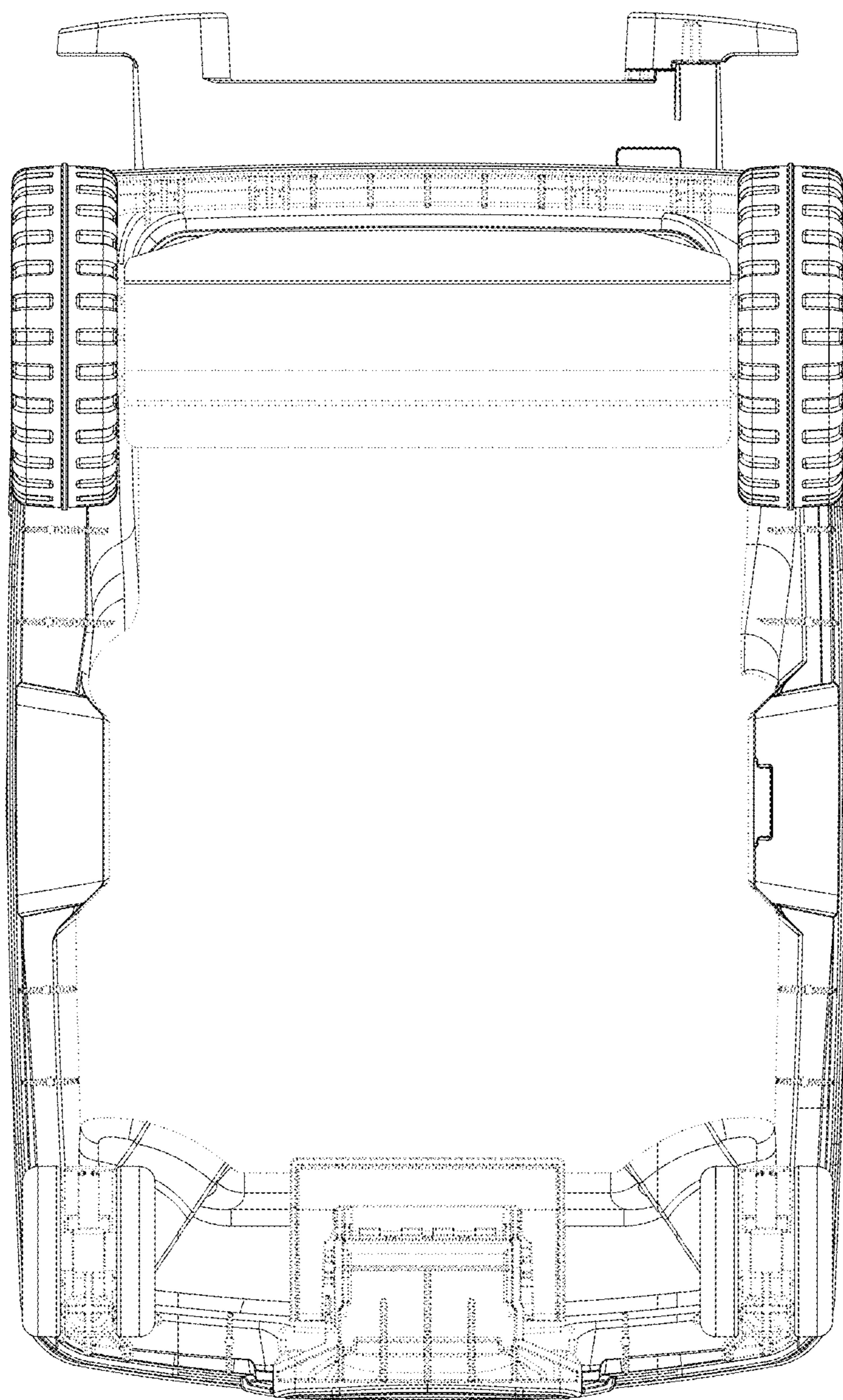


FIG. 14