



US00D953668S

(12) **United States Design Patent**
Clark et al.

(10) **Patent No.:** **US D953,668 S**

(45) **Date of Patent:** **** May 31, 2022**

(54) **EQUIPMENT WASHER**

(71) Applicants: **Bruce Clark**, Bagley, WI (US); **Tania Clark**, Bagley, WI (US)

(72) Inventors: **Bruce Clark**, Bagley, WI (US); **Tania Clark**, Bagley, WI (US)

(**) Term: **15 Years**

(21) Appl. No.: **29/751,579**

(22) Filed: **Sep. 22, 2020**

(51) **LOC (13) Cl.** **15-05**

(52) **U.S. Cl.**
USPC **D32/4**

(58) **Field of Classification Search**
USPC D21/526; D23/213, 214, 226
CPC B08B 3/022; B08B 3/042; B08B 3/04;
B08B 3/041; B05B 1/20; B60S 3/042;
B60S 3/04; B60S 3/002; B60S 3/004;
B60S 3/044; A01D 34/003
See application file for complete search history.

6,079,640 A * 6/2000 Merritts B05B 1/202
239/722

6,132,509 A * 10/2000 Kuschnerreit B01D 29/56
239/289

D442,749 S * 5/2001 Jones D32/4

6,247,658 B1 * 6/2001 Bakas B60S 3/042
239/722

6,779,744 B1 * 8/2004 Marine B05B 1/205
239/289

7,208,051 B2 * 4/2007 Zinski B05B 13/04
239/722

D592,364 S * 5/2009 Diciuccio D32/4

D622,471 S * 8/2010 Hernandez D34/12

D629,670 S * 12/2010 Fike D8/343

D733,256 S * 6/2015 Turner B01F 3/04446
D23/213

D748,351 S * 1/2016 Baldwin D32/3

9,533,320 B1 * 1/2017 Koshnick B08B 3/022

D833,693 S * 11/2018 Utterback D32/4

11,007,544 B2 * 5/2021 Waring B60S 3/044

D927,101 S * 8/2021 Baldwin D32/3

(Continued)

Primary Examiner — Mark A Goodwin
(74) *Attorney, Agent, or Firm* — Joseph T. Leone, Esq.;
DeWitt LLP

(56) **References Cited**

U.S. PATENT DOCUMENTS

D243,610 S * 3/1977 Craig D32/15

4,580,726 A * 4/1986 Unger B60S 3/044
239/722

4,984,746 A * 1/1991 Joyal B60S 3/042
239/722

D321,574 S * 11/1991 Shevers, Jr. D32/35

D331,950 S * 12/1992 Baker D21/526

D349,368 S * 8/1994 Haskins D32/4

D375,389 S * 11/1996 Belanger D12/222

5,653,392 A * 8/1997 Wells B08B 3/024
239/722

5,707,014 A * 1/1998 Chan B08B 3/02
239/722

D394,921 S * 6/1998 Cherinchak D32/4

6,000,631 A * 12/1999 Lamminen B60S 3/04
134/123

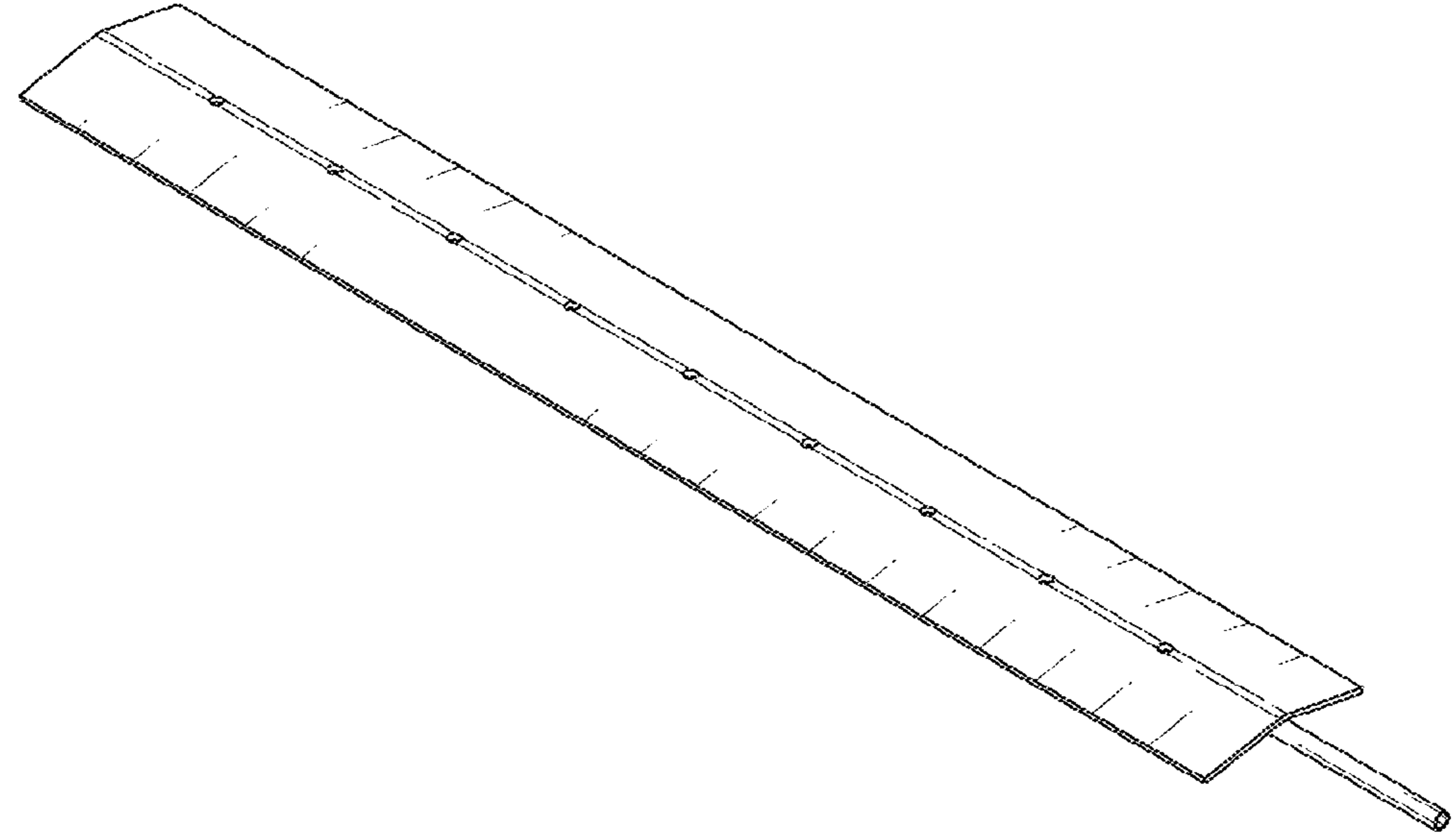
(57) **CLAIM**

The ornamental design for an equipment washer, as shown and described.

DESCRIPTION

FIG. 1 is a perspective view of an equipment washer showing my new design;
FIG. 2 is a front elevational view thereof; the rear elevational view is a mirror image thereof;
FIG. 3 is a right-side elevational view thereof; the left-side elevational view is a mirror image thereof;
FIG. 4 is a top plan view thereof; and,
FIG. 5 is a bottom plan view thereof.

1 Claim, 3 Drawing Sheets



(56)

References Cited

U.S. PATENT DOCUMENTS

2007/0169796 A1* 7/2007 Johnson B08B 3/026
134/123
2008/0006727 A1* 1/2008 Roh B08B 3/026
239/722
2010/0025497 A1* 2/2010 Ellenbecker B05B 9/01
239/526
2012/0012138 A1* 1/2012 Garrett B08B 17/00
134/123
2013/0213444 A1* 8/2013 Zabel A01D 34/003
134/123
2016/0200293 A1* 7/2016 McKeen B60S 3/044
239/722
2021/0290800 A1* 9/2021 Rudy A61L 2/18

* cited by examiner

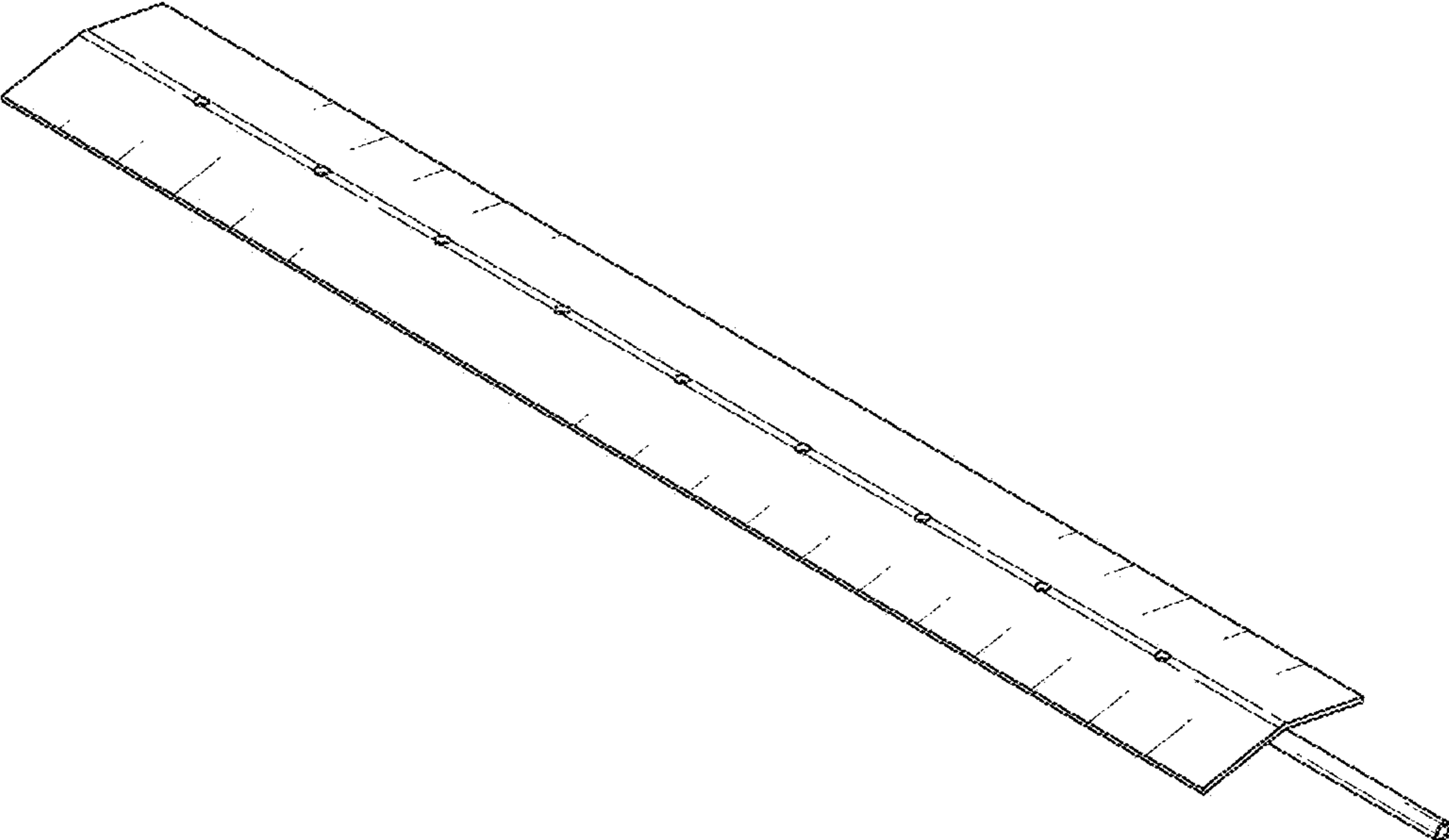


FIG. 1



FIG. 2



FIG. 3

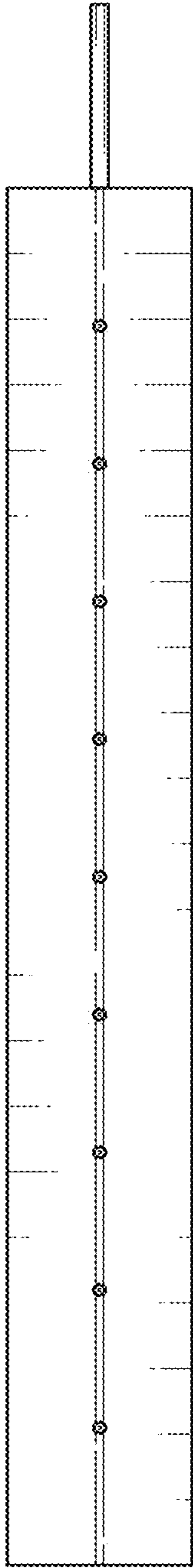


FIG. 4

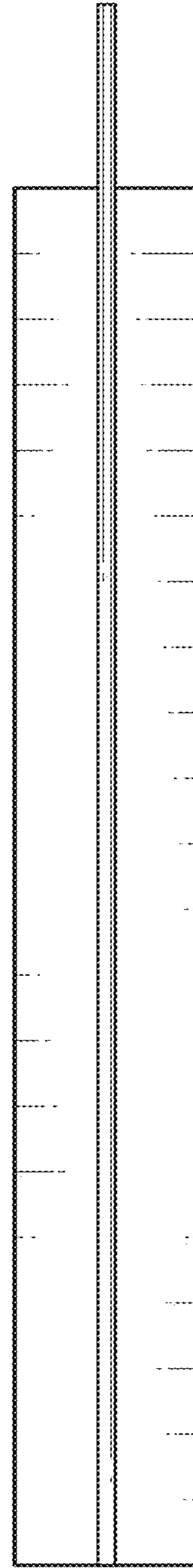


FIG. 5