



US00D953667S

(12) **United States Design Patent**
Li

(10) **Patent No.:** **US D953,667 S**
(45) **Date of Patent:** **** May 31, 2022**

(54) **RECEIVER FOR DOG TRAINING COLLAR**

OTHER PUBLICATIONS

- (71) Applicant: **Shenzhen Patpet Technology CO., LTD**, Shenzhen (CN)
- (72) Inventor: **Linxian Li**, Beijing (CN)
- (**) Term: **15 Years**
- (21) Appl. No.: **29/704,623**
- (22) Filed: **Sep. 5, 2019**
- (51) **LOC (13) Cl.** **30-99**
- (52) **U.S. Cl.**
USPC **D30/199; D30/152**
- (58) **Field of Classification Search**
USPC D30/151, 152, 153, 199; D10/104.1
CPC .. A01K 15/021; A01K 27/009; A01K 15/022;
A01K 15/023; A01K 15/029
See application file for complete search history.

“PATPET 303 Dog Training Collar.” Found online Mar. 10, 2022 at www.amazon.com. Product first available Aug. 15, 2020. Retrieved from URL: <https://www.amazon.com/PATPET-303-Dog-Training-Collar/dp/B08DKJ39GH> (Year: 2020).*

“PetSpy M919 Premium ½ Mile Range Remote Dog Training Collar.” Found online Mar. 10, 2022 at www.chewy.com. Product reviewed Aug. 24, 2017. Retrieved from URL: <https://www.chewy.com/petspym919-premium-12-mile-range/dp/158302> (Year: 2017).*

“Frisco Waterproof Rechargeable Dog Training Collar.” Found online Mar. 10, 2022 at www.chewy.com. Product reviewed Nov. 10, 2021. Retrieved from URL: <https://www.chewy.com/frisco-waterproof-rechargeable-dog/dp/272528> (Year: 2021).*

“Dogtra Pathfinder Additional Receiver.” Found online Mar. 10, 2022 at www.chewy.com. Product reviewed Nov. 19, 2021. Retrieved from URL: <https://www.chewy.com/dogtra-pathfinder-additional-receiver/dp/323829> (Year: 2021).*

* cited by examiner

Primary Examiner — Mary Ann Calabrese
Assistant Examiner — Katelin G Kloberg
 (74) *Attorney, Agent, or Firm* — Yanling Jiang

(56) **References Cited**

U.S. PATENT DOCUMENTS

8,065,978	B2 *	11/2011	Duncan	A01K 15/021 119/721
D657,098	S *	4/2012	So	D30/152
D683,915	S *	6/2013	So	D30/152
D706,500	S *	6/2014	Hu	D30/152
D822,922	S *	7/2018	Wen	D30/152
D834,769	S *	11/2018	Wen	D10/104.1
D858,904	S *	9/2019	Zinn	D10/104.1
D861,259	S *	9/2019	Dong	D30/152
D888,353	S *	6/2020	Lan	D10/104.1
D899,012	S *	10/2020	Zinn	D30/152
D929,682	S *	8/2021	Li	D10/104.1
D938,668	S *	12/2021	Jia	D10/104.1
D943,845	S *	2/2022	Li	D10/104.1
D944,470	S *	2/2022	Li	D10/104.1
D945,721	S *	3/2022	Luo	D10/104.1
2020/0015456	A1 *	1/2020	Van Curen	A01K 15/022

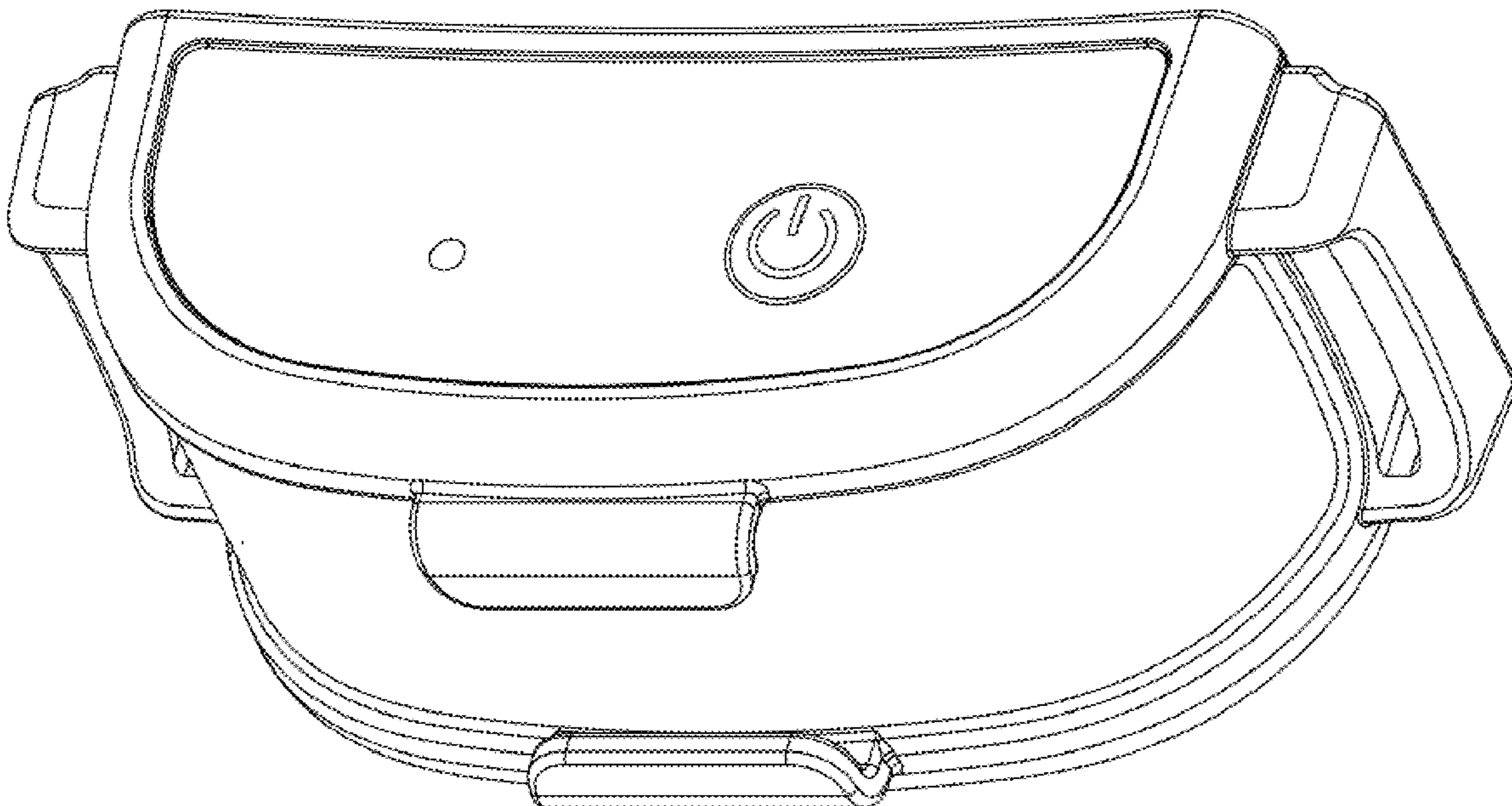
(57) **CLAIM**

The ornamental design for a receiver for dog training collar, as shown and described.

DESCRIPTION

FIG. 1 is a top, front, right-side perspective view of a receiver for dog training collar, showing my new design; FIG. 2 is a front elevation view thereof; FIG. 3 is a left-side elevation view thereof; FIG. 4 is a right-side elevation view thereof; FIG. 5 is a rear elevation view thereof; FIG. 6 is a top plan view thereof; and, FIG. 7 is a bottom plan view thereof.

1 Claim, 7 Drawing Sheets



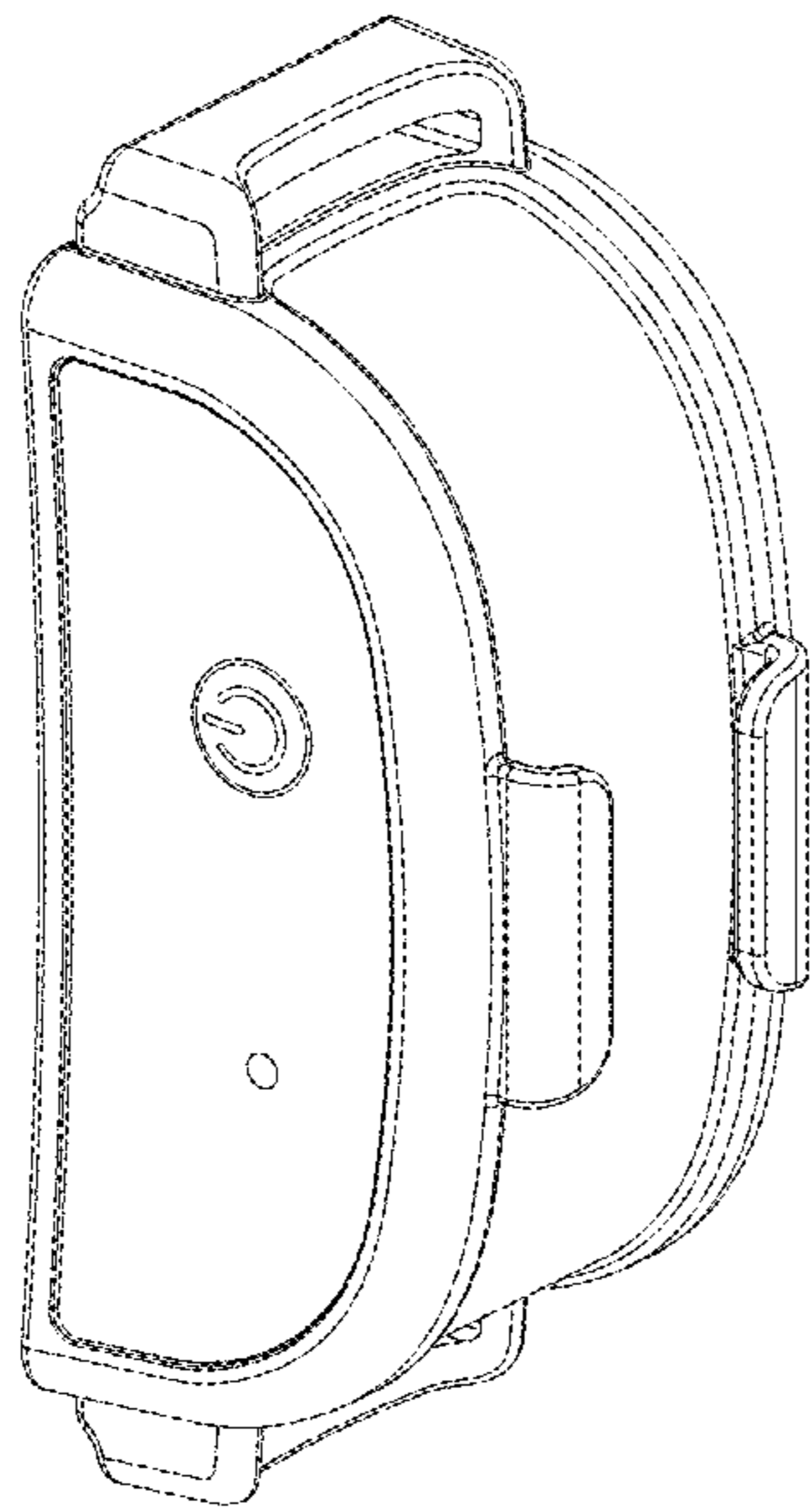


Fig. 1

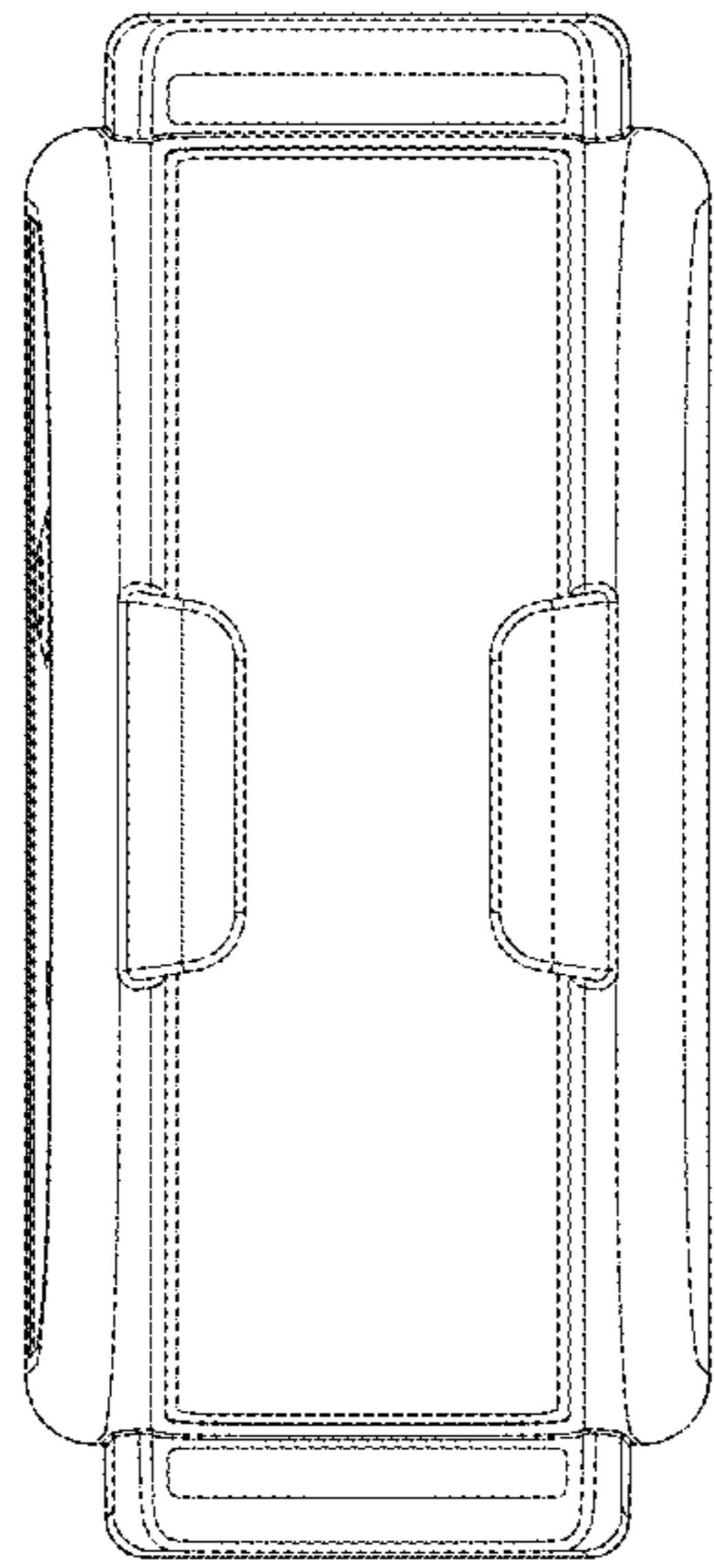


Fig. 2

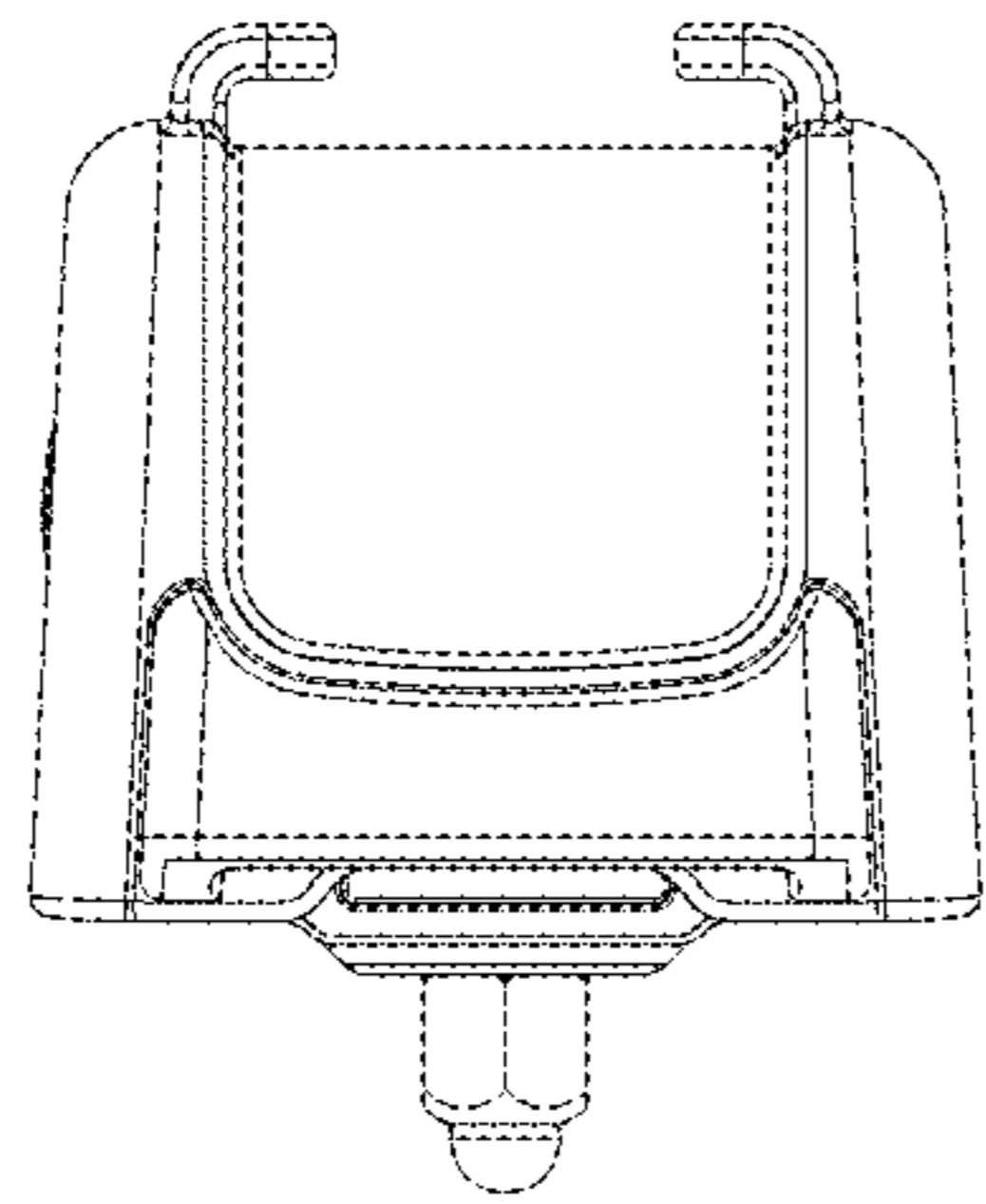


Fig. 3

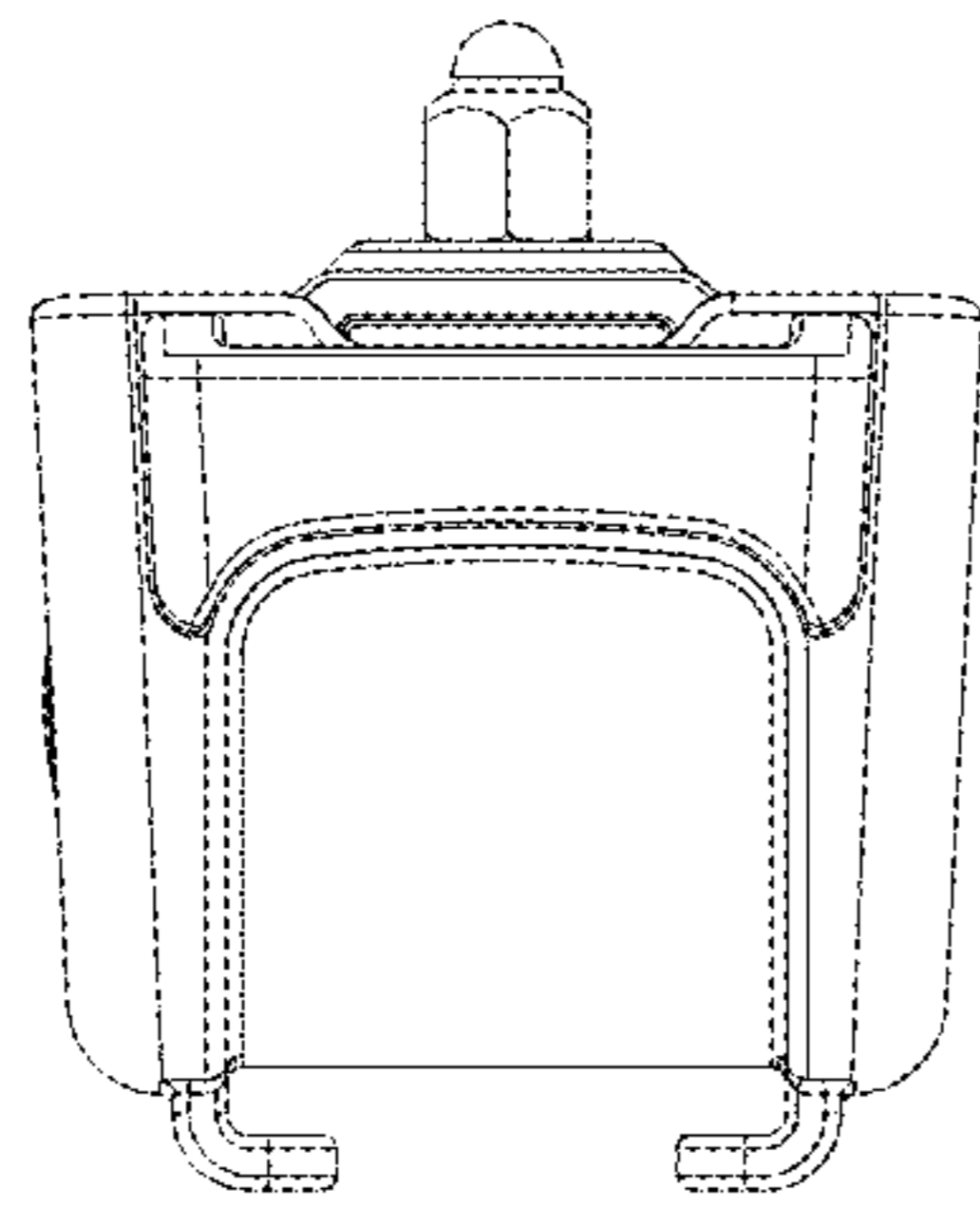


Fig. 4

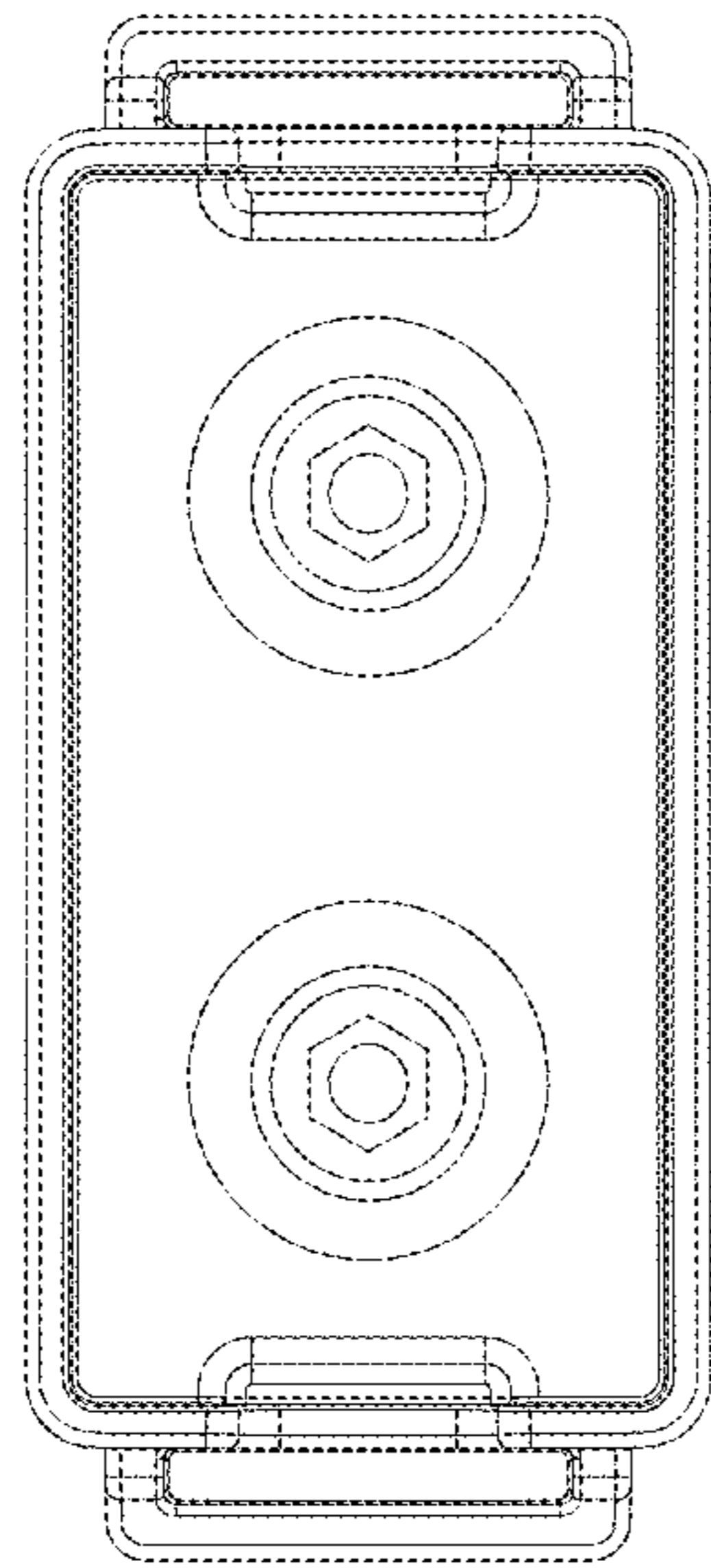


Fig. 5

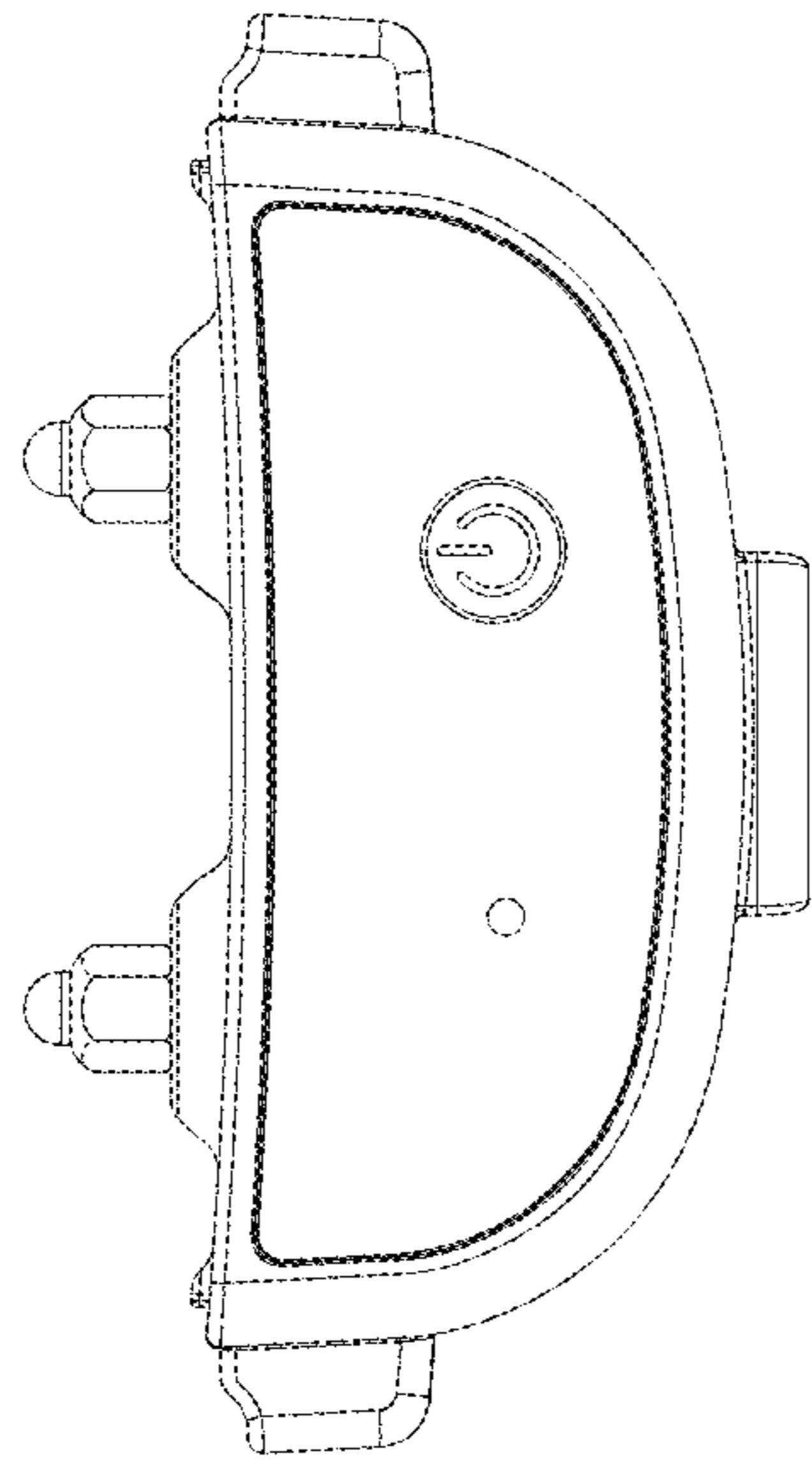


Fig. 6

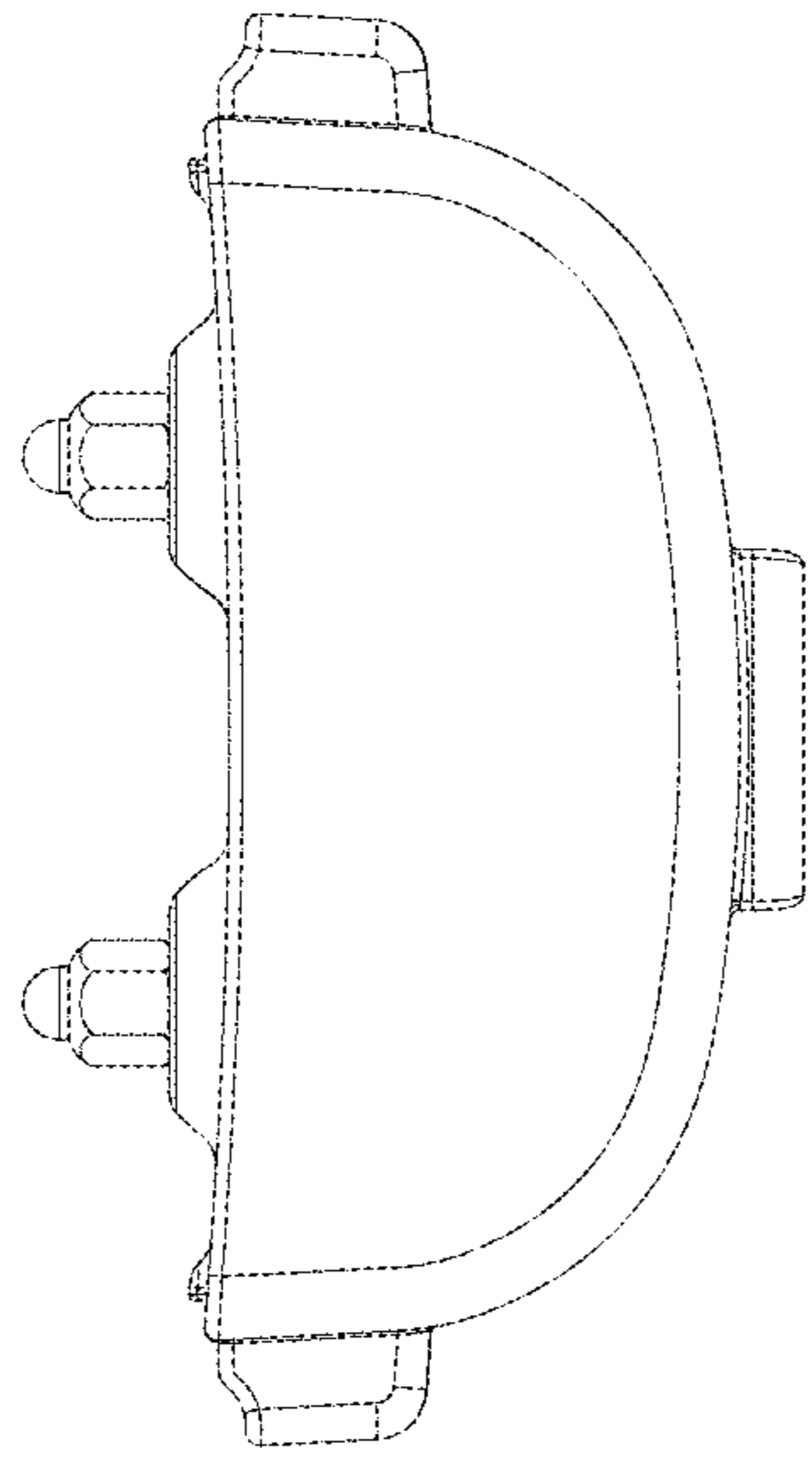


Fig. 7