



US00D953664S

(12) **United States Design Patent** (10) **Patent No.:** **US D953,664 S**
Wilhelm (45) **Date of Patent:** **** May 31, 2022**

(54) **PET TOY**
(71) Applicant: **Doskocil Manufacturing Company, Inc.**, Arlington, TX (US)
(72) Inventor: **Josiah Wilhelm**, Columbia Station, OH (US)
(73) Assignee: **DOSKOCIL MANUFACTURING COMPANY, INC.**, Arlington, TX (US)
(**) Term: **15 Years**
(21) Appl. No.: **29/725,098**
(22) Filed: **Feb. 21, 2020**
(51) **LOC (13) Cl.** **30-99**
(52) **U.S. Cl.**
USPC **D30/160**
(58) **Field of Classification Search**
USPC D30/160, 162, 199; 119/702, 706, 707, 119/708, 709, 710, 711, 174; D21/300, D21/301, 398, 400, 401, 402, 532
CPC ... A01K 15/027; A01K 15/025; A01K 15/026
See application file for complete search history.

2015/0013653 A1* 1/2015 Clarke A01K 15/025
124/5
2020/0329672 A1* 10/2020 Yang A01K 15/027
2021/0259209 A1* 8/2021 Wilhelm A01K 15/025

OTHER PUBLICATIONS

“Chuckit! Fetch & Fold & Ultra Ball Bundle” available Jan. 10, 2022, [online], [site visited Jan. 10, 2022], Retrieved from Internet, URL: <https://www.petmate.com/chuckit-fetch-fold-ultra-ball-bundle/product/32090> (Year: 2022).
“Amazon Chuckit Fetch & Fold Ball Launcher Set” available Jul. 1, 2020, [online], [site visited Jan. 10, 2022], Retrieved from Internet, URL: https://www.amazon.com/Chuckit-Fetch-Fold-Ball-Launcher/dp/B08C3X6Y2F/ref=sr_1_163_sspa (Year: 2020).
“Chuckit Fetch & Fold” (via YouTube), available Nov. 30, 2020, [online], [site visited Jan. 11, 2022], Retrieved from Internet, URL: <https://www.youtube.com/watch?v=Qgzz66tw9B8> (Year: 2020).

* cited by examiner

Primary Examiner — W. A. Teddy Falloway
Assistant Examiner — Katrina N Gonzalez
(74) *Attorney, Agent, or Firm* — Global IP Counselors, LLP

(57) **CLAIM**

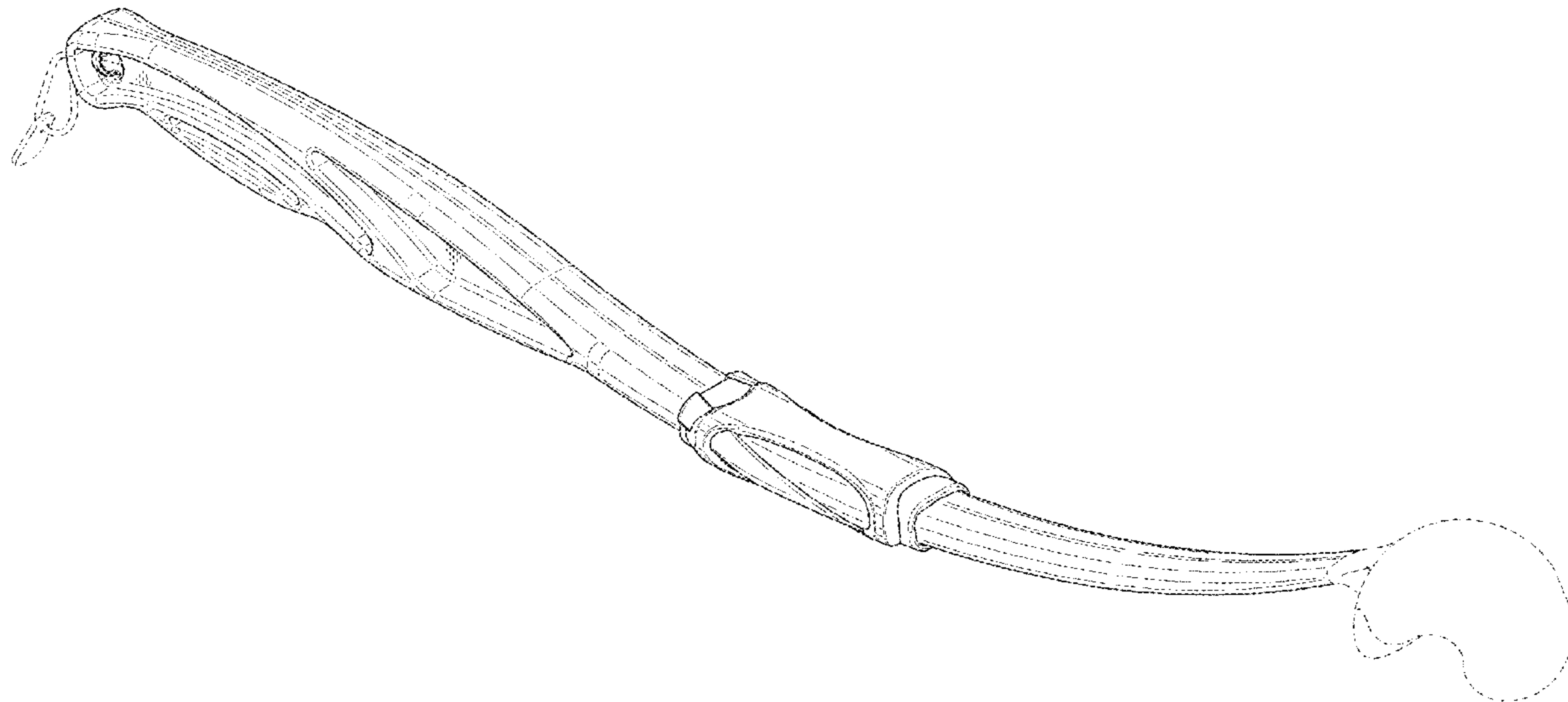
The ornamental design for a pet toy, as shown and described.

DESCRIPTION

FIG. 1 is a top perspective view of a pet toy in accordance with my new design;
FIG. 2 is a right side view thereof;
FIG. 3 is a left side view thereof;
FIG. 4 is a back view thereof;
FIG. 5 is a front view thereof;
FIG. 6 is a top view thereof; and,
FIG. 7 is a bottom view thereof.
The broken lines in the drawings illustrate portions of the pet toy that form no part of the claimed design.

1 Claim, 4 Drawing Sheets

(56) **References Cited**
U.S. PATENT DOCUMENTS
D637,248 S * 5/2011 Levin D21/722
D640,338 S * 6/2011 Oblack D21/722
D674,851 S * 1/2013 Osborne D21/722
D758,511 S * 6/2016 Williams D21/722
10,220,282 B1 * 3/2019 Steinkraus A63B 65/122
D856,611 S * 8/2019 Pinto D30/160
D889,057 S * 6/2020 Steinkraus D30/160
2009/0025699 A1 * 1/2009 Mongkolkasetarin
A01K 15/025
124/26
2012/0006309 A1 * 1/2012 Levin A01K 39/014
124/5



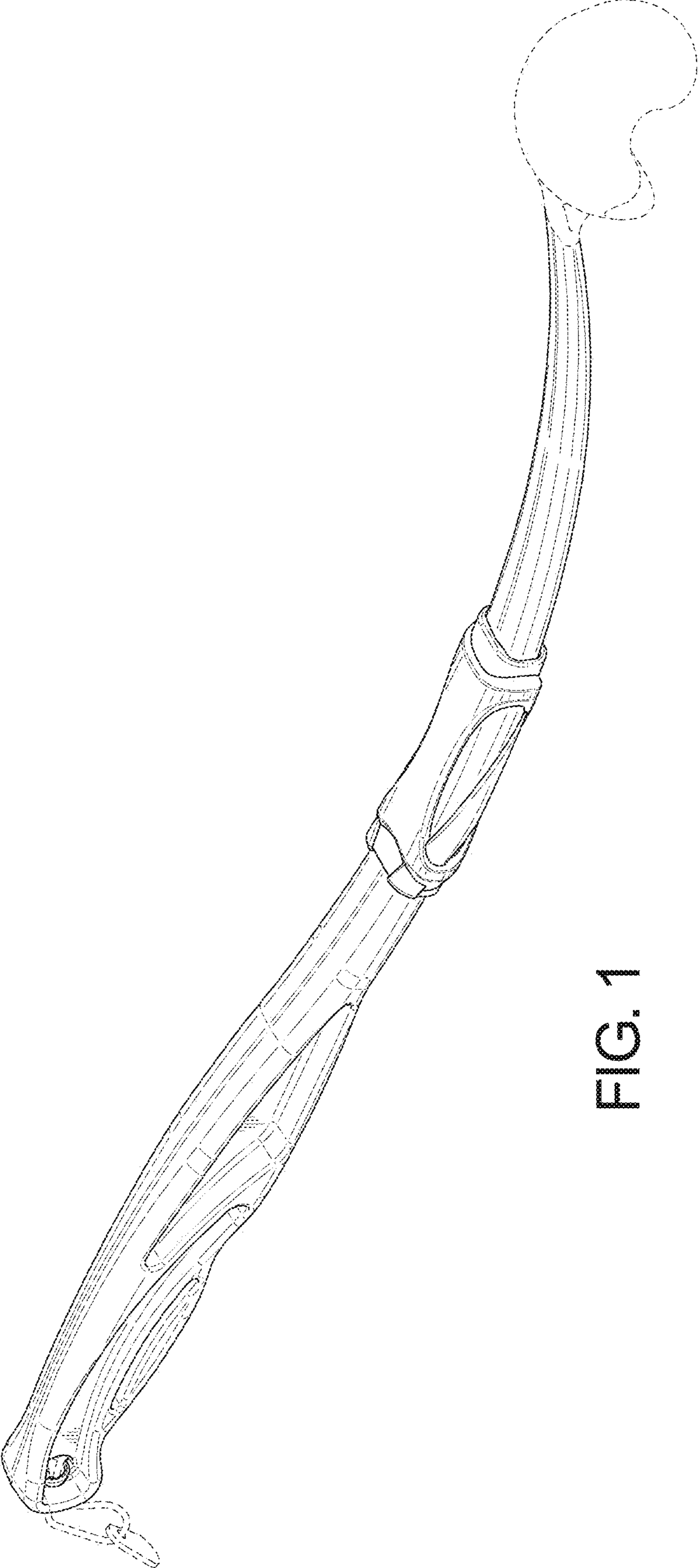


FIG. 1

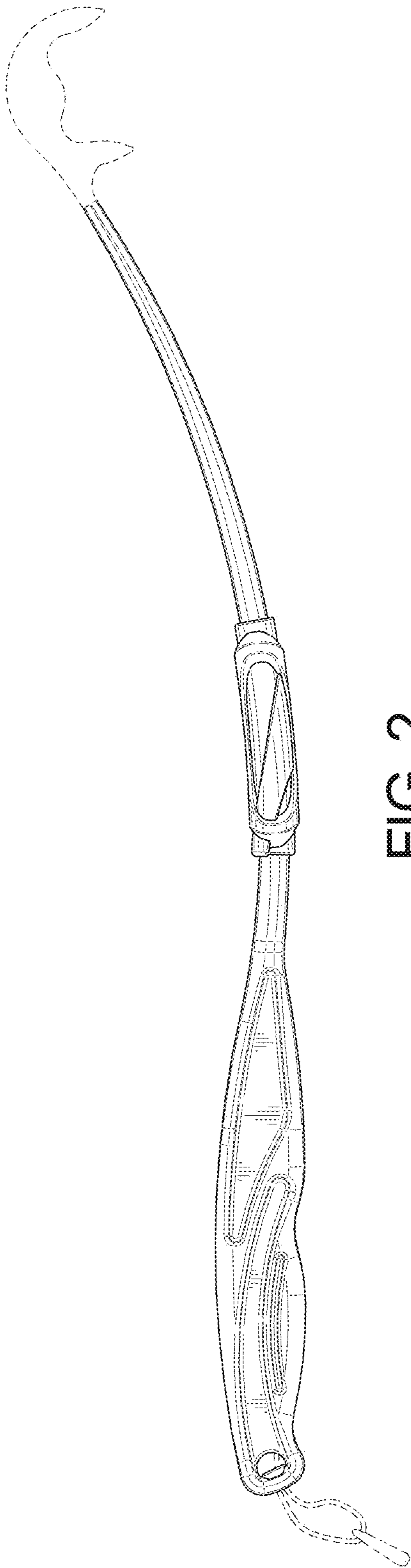


FIG. 2

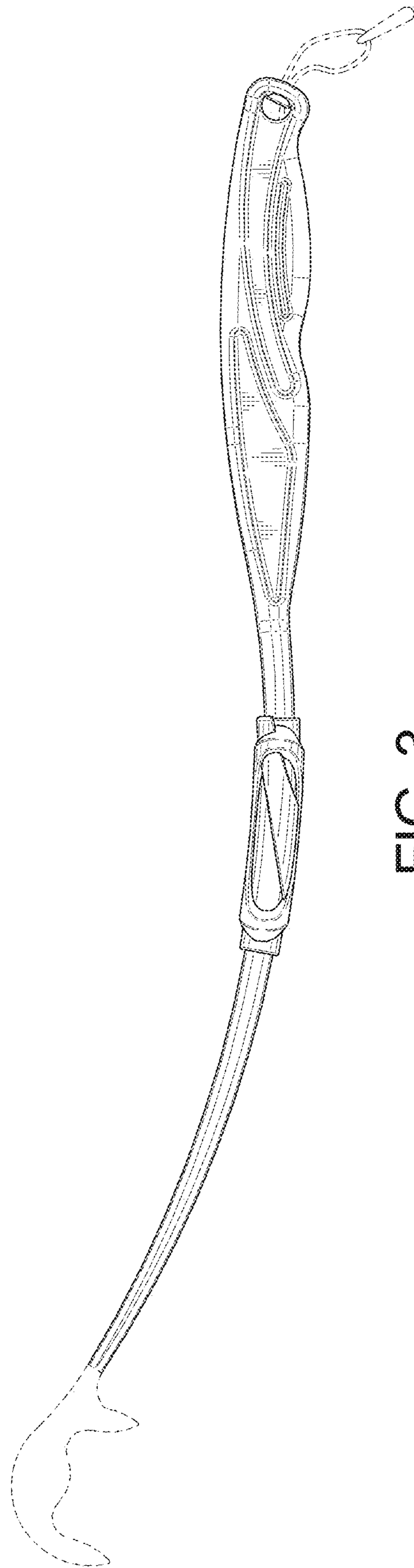


FIG. 3

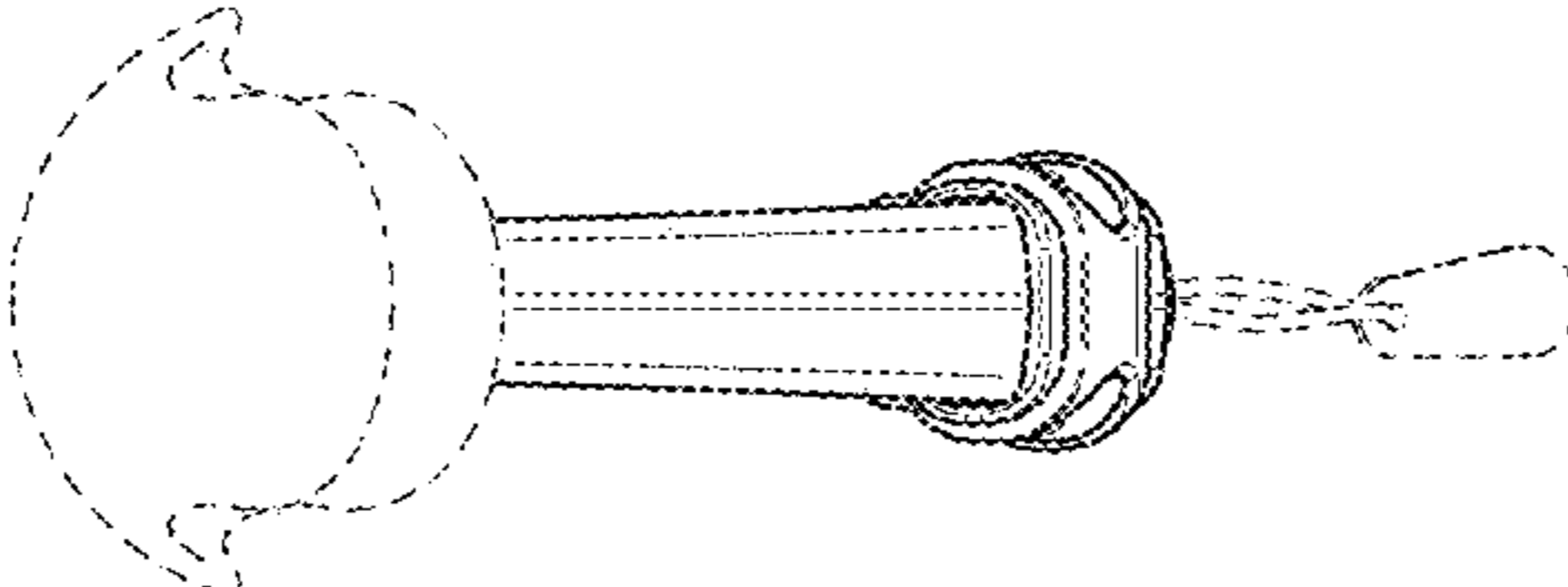


FIG. 5

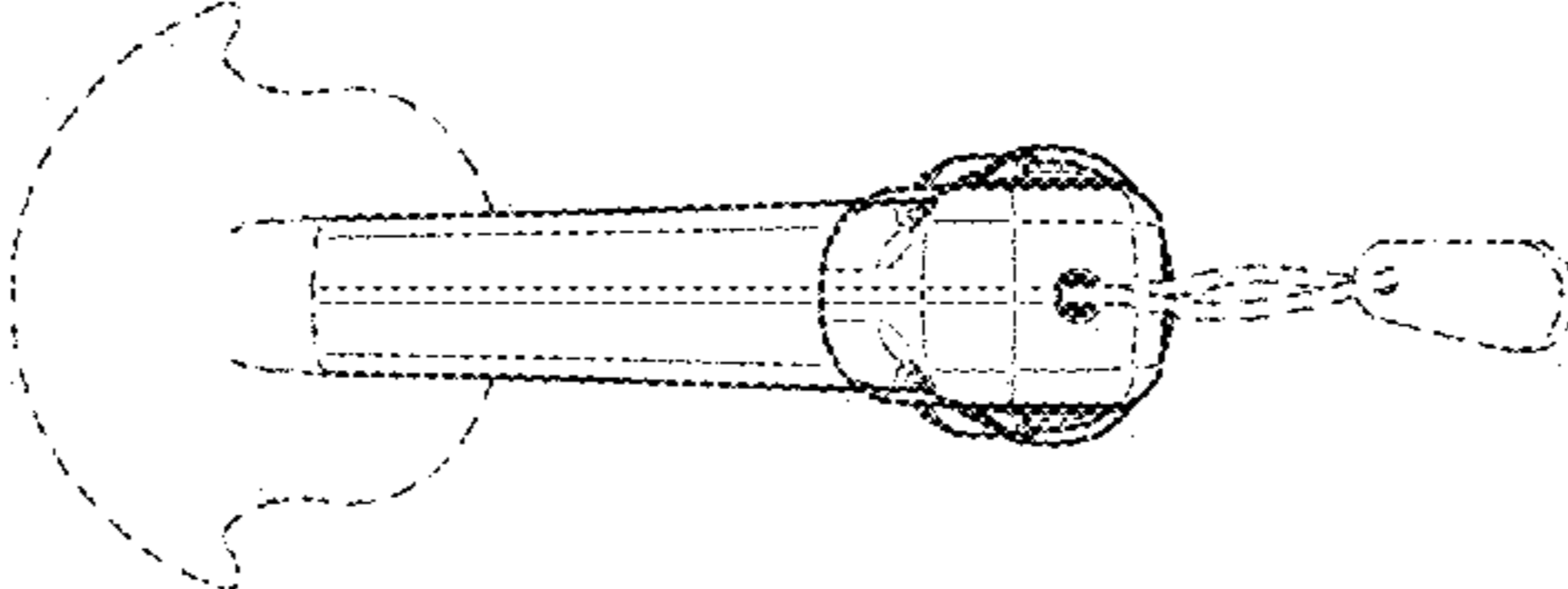


FIG. 4

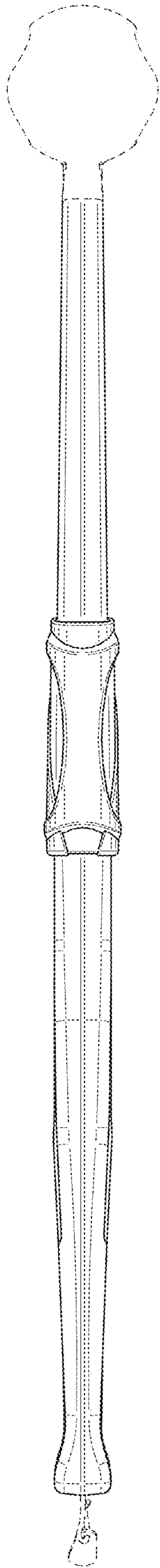


FIG. 6

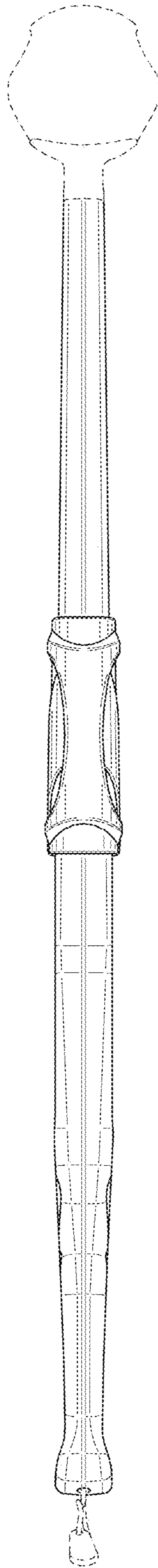


FIG. 7