



US00D953663S

(12) **United States Design Patent** (10) **Patent No.:** **US D953,663 S**
Soto (45) **Date of Patent:** **** May 31, 2022**

(54) **PET TOY**
(71) Applicant: **The Hartz Mountain Corporation,**
Secaucus, NJ (US)
(72) Inventor: **Johann Soto,** Rutherford, NJ (US)
(73) Assignee: **THE HARTZ MOUNTAIN**
CORPORATION, Secaucus, NJ (US)
(**) Term: **15 Years**
(21) Appl. No.: **29/652,435**
(22) Filed: **Aug. 13, 2020**
(51) **LOC (13) Cl.** **30-99**
(52) **U.S. Cl.**
USPC **D30/160**
(58) **Field of Classification Search**
USPC D30/160, 112, 119; D21/386, 398, 484,
D21/707, 712, 713; D24/193, 194, 195,
D24/211, 212, 214; D1/125, 126, 127
CPC A01K 15/025; A01K 15/026
See application file for complete search history.

D822,920 S * 7/2018 Woods D30/160
D835,859 S * 12/2018 Steinkraus D30/160
D852,914 S * 7/2019 Cecchi D21/803
D872,390 S * 1/2020 Crane D30/160
D876,032 S * 2/2020 Baker D30/160
D882,888 S * 4/2020 Steinkraus D30/121
10,905,098 B2 * 2/2021 Markham A01K 5/0135
D919,901 S * 5/2021 Chen D30/160
D928,887 S * 8/2021 Zhuravko D21/455
D930,289 S * 9/2021 Wilhelm D30/160
D932,114 S * 9/2021 Toolan D30/160
D934,511 S * 10/2021 Fan D30/160
D938,664 S * 12/2021 Wilhelm D30/160

* cited by examiner

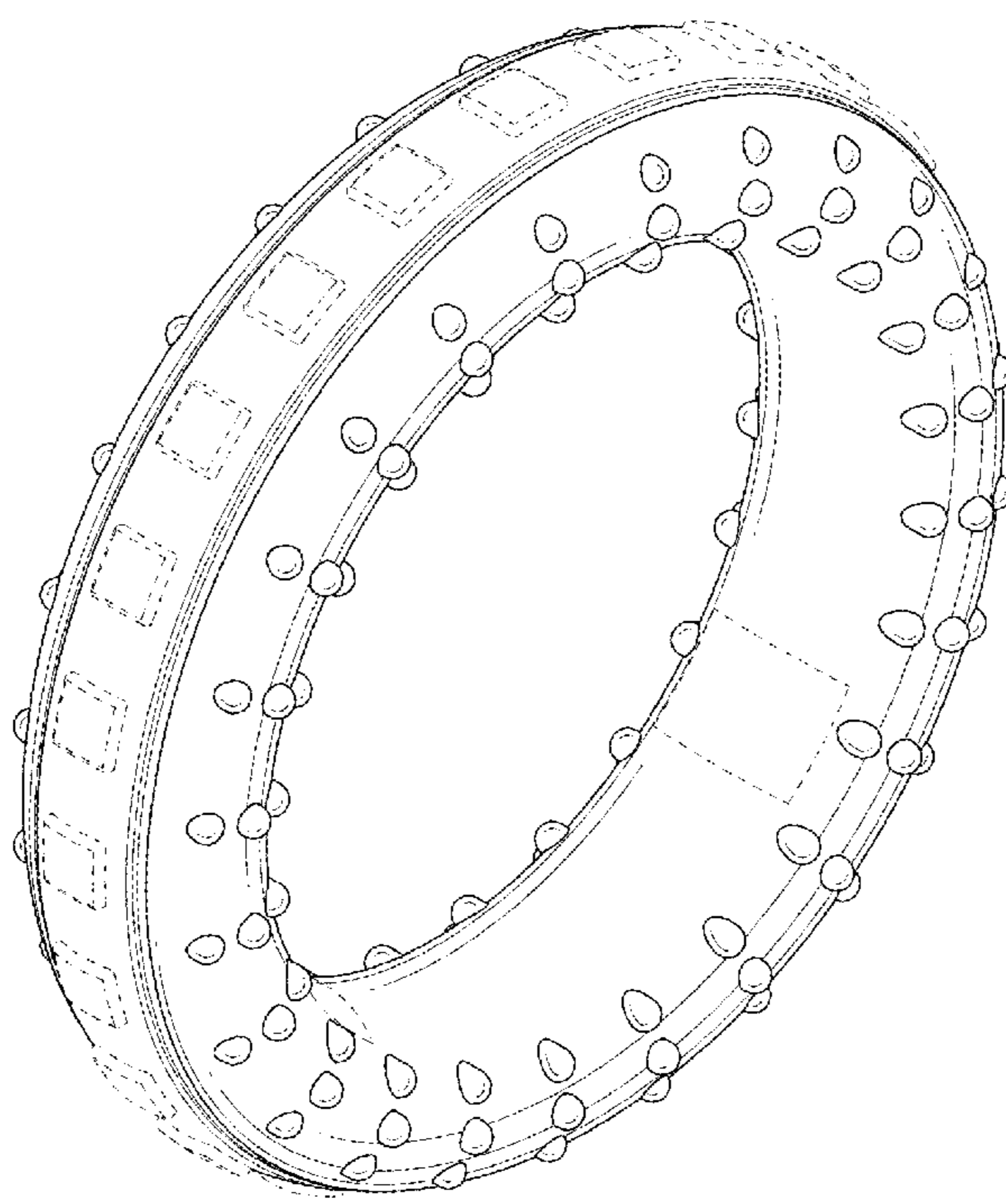
Primary Examiner — Sheryl Lane
Assistant Examiner — Aula Soroush
(74) *Attorney, Agent, or Firm* — Gottlieb, Rackman &
Reisman, P.C.

(57) **CLAIM**
The ornamental design for a pet toy, as shown and described.

DESCRIPTION
FIG. 1 is a front top perspective view of a pet toy showing my new design;
FIG. 2 is a front elevational view thereof;
FIG. 3 is a rear elevational view thereof;
FIG. 4 is a left side elevational view thereof;
FIG. 5 is a right side elevational view thereof;
FIG. 6 is a top plan view thereof; and,
FIG. 7 is a bottom plan view thereof.
The broken lines shown in the drawings are included for the purpose of illustrating elements of the pet toy that form no part of the claimed design.

(56) **References Cited**
U.S. PATENT DOCUMENTS
D45,925 S * 6/1914 Crane D1/120
D291,341 S * 8/1987 Keating D21/684
D335,553 S * 5/1993 Conner D30/160
D335,554 S * 5/1993 Conner D21/408
5,551,952 A * 9/1996 Falgout A61J 17/101
601/139
D495,465 S * 9/2004 Tepper D1/127
D612,552 S * 3/2010 Matz D30/160
D749,803 S * 2/2016 Urbanczyk D30/160
D811,020 S * 2/2018 Wills D30/160

1 Claim, 5 Drawing Sheets



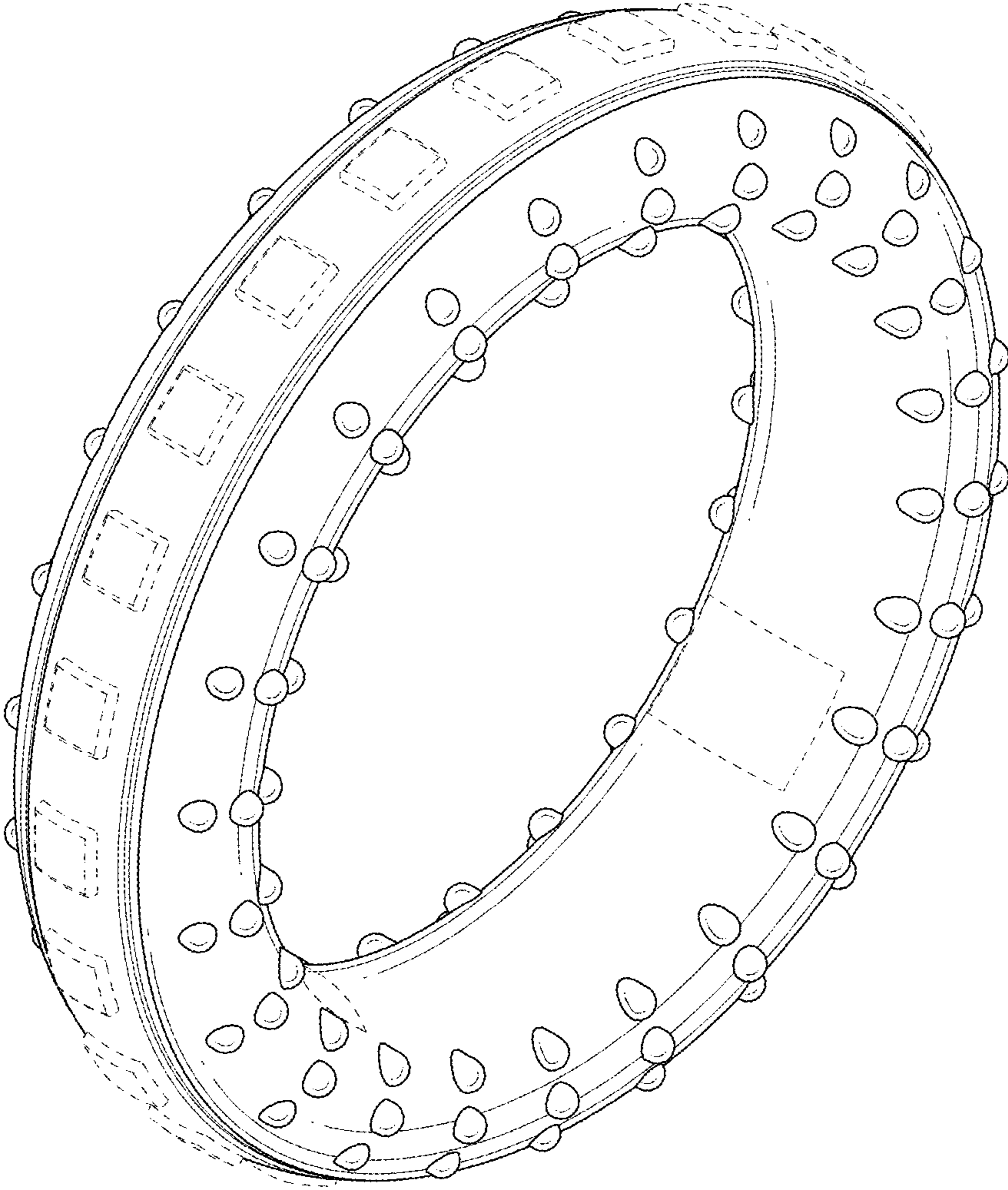


FIG. 1

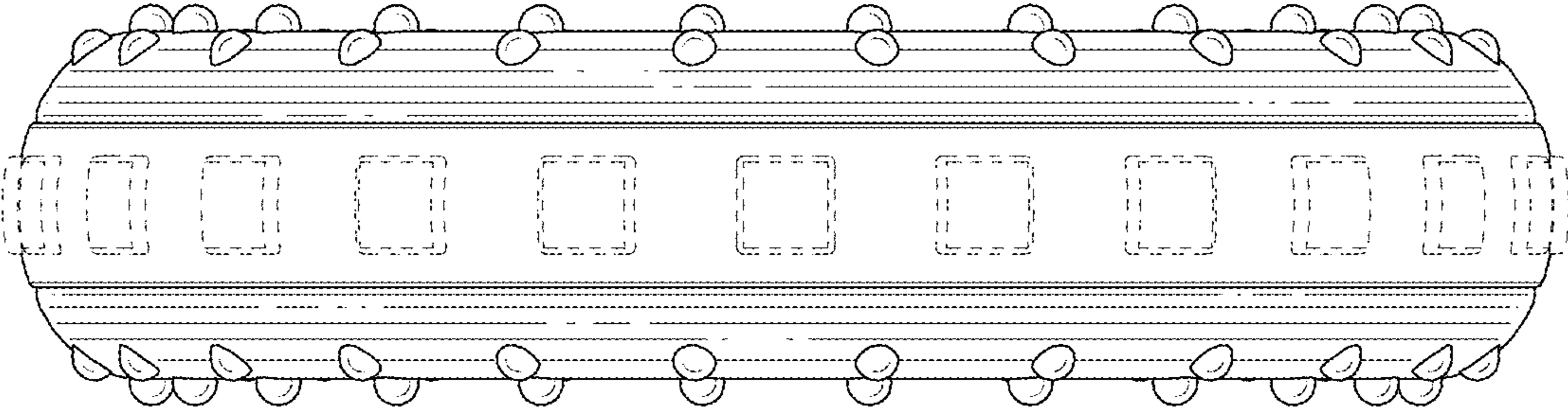


FIG. 2

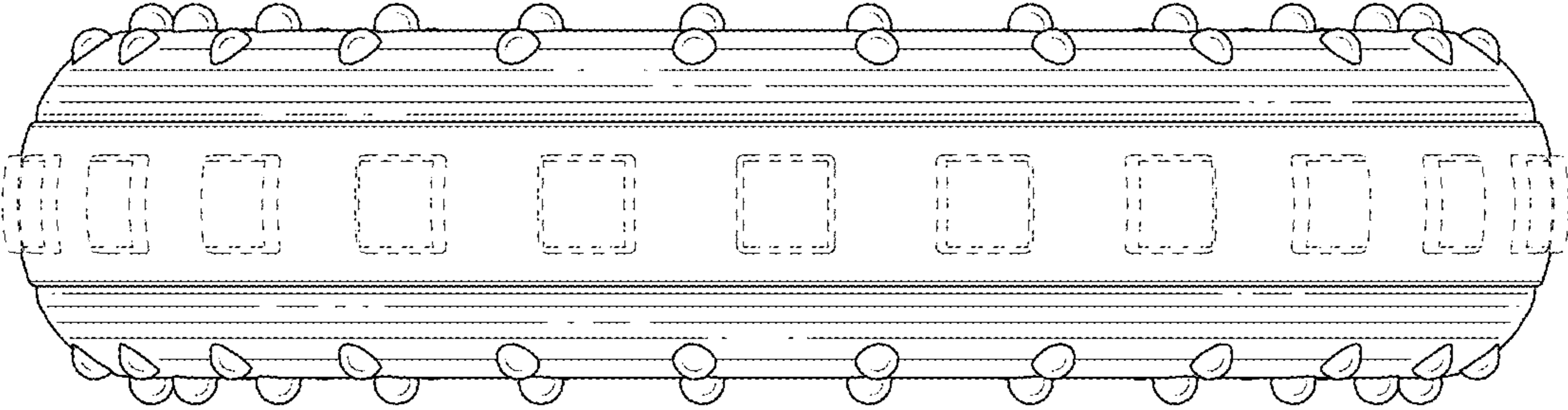


FIG. 3

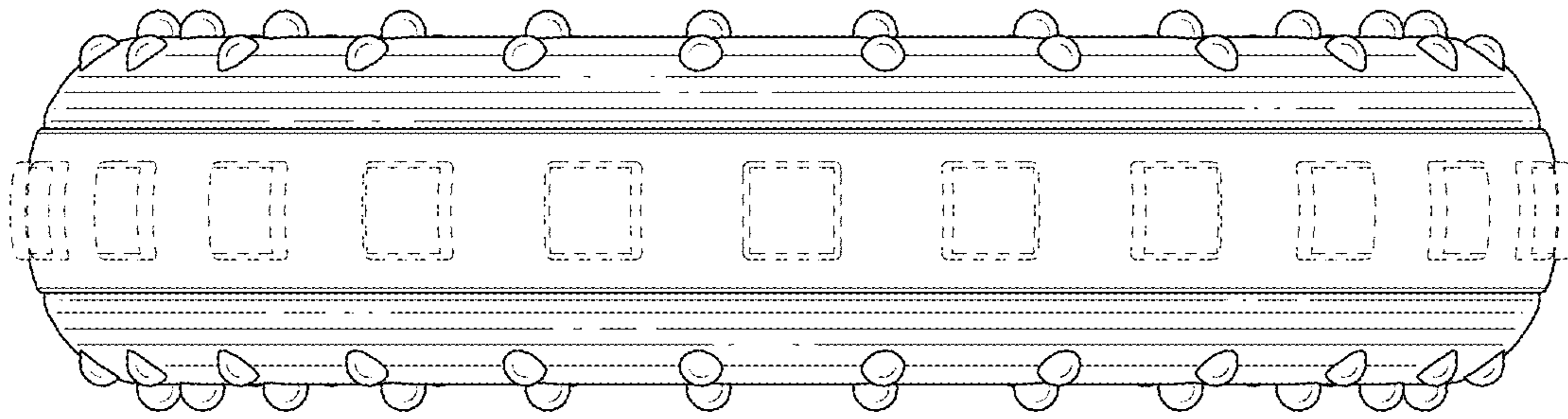


FIG. 4

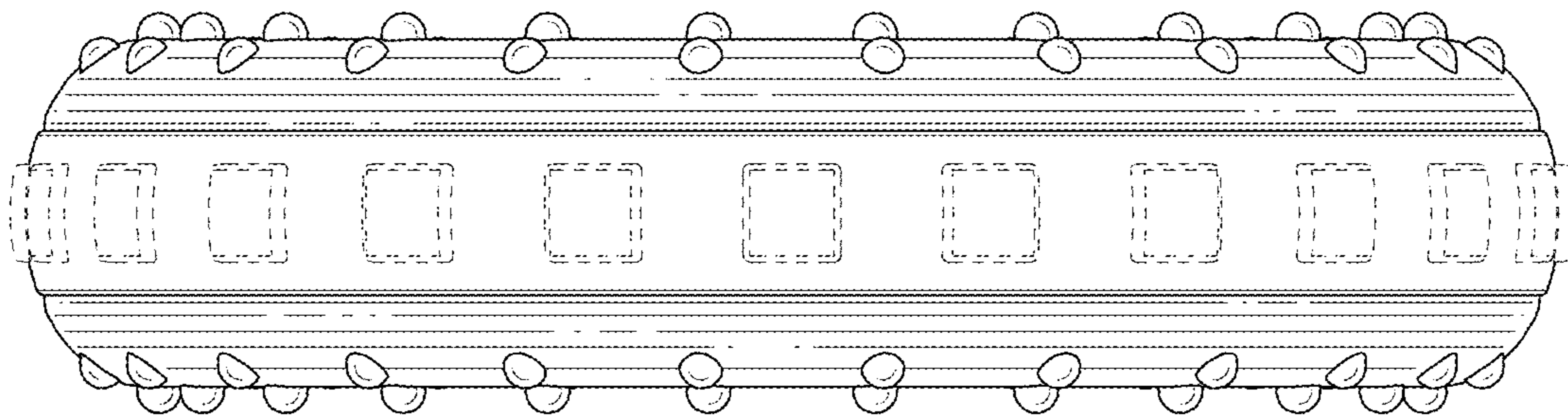


FIG. 5

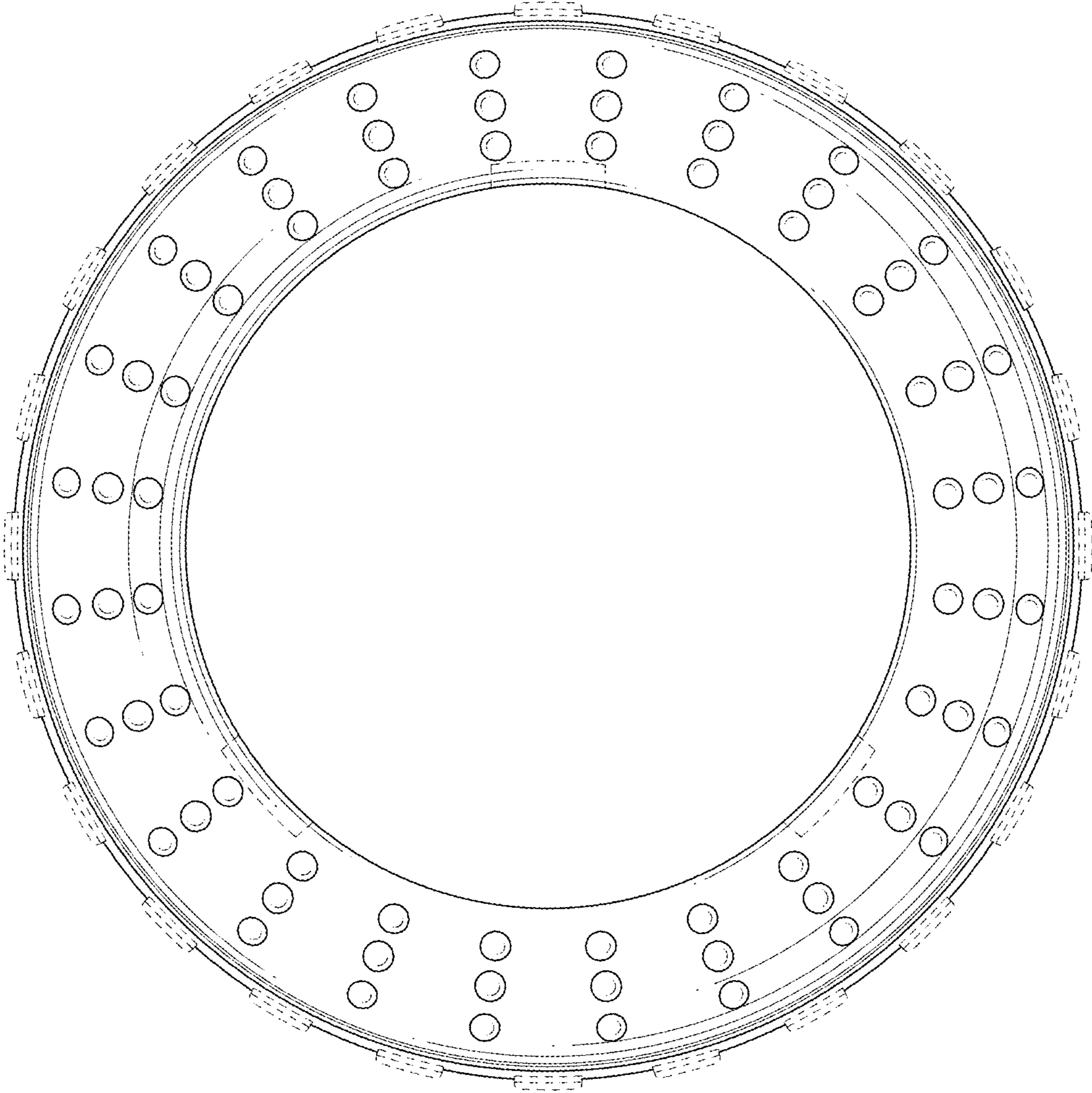


FIG.6

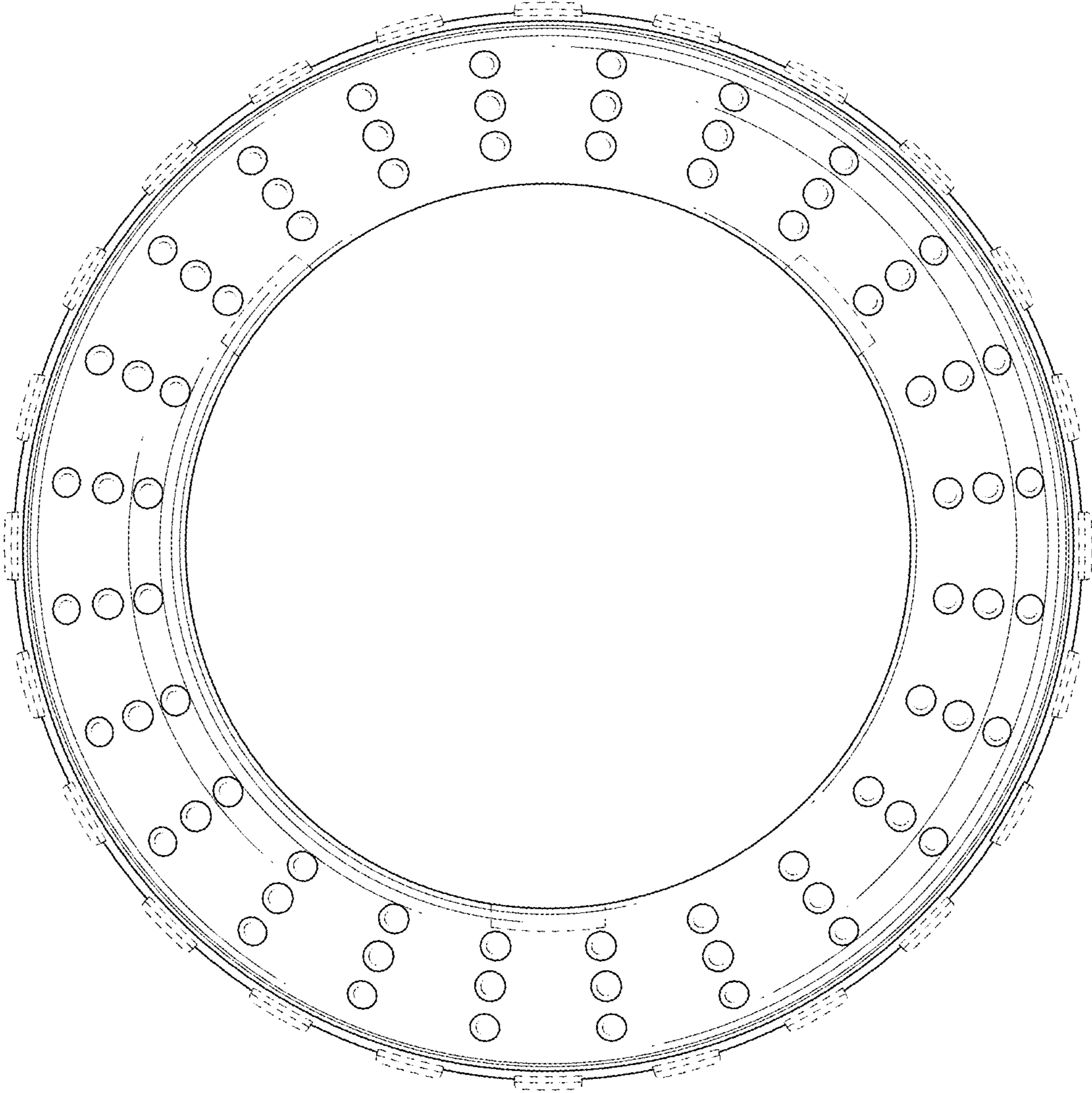


FIG.7