



US00D953661S

(12) **United States Design Patent**  
**Zhang**

(10) **Patent No.:** **US D953,661 S**

(45) **Date of Patent:** **\*\* May 31, 2022**

(54) **PET BRUSH**

(71) Applicant: **Shenzhen Hongjiantou Technology Co., Ltd.**, Shenzhen (CN)

(72) Inventor: **Zhinan Zhang**, Shenzhen (CN)

(\*\*) Term: **15 Years**

(21) Appl. No.: **29/801,454**

(22) Filed: **Jul. 29, 2021**

(51) **LOC (13) Cl.** ..... **04-99**

(52) **U.S. Cl.**  
USPC ..... **D30/158; D4/134**

(58) **Field of Classification Search**  
USPC ..... D4/100, 117-132; D30/158, 159;  
15/186, 105, 106, 142, 143.1, 160, 187  
CPC .... A46B 5/00; A46B 5/02; A46B 5/04; A46B  
9/00; A46B 9/02; A46B 9/025; A45D  
24/00; A45D 24/10  
See application file for complete search history.

(56) **References Cited**

**U.S. PATENT DOCUMENTS**

D357,810 S \* 5/1995 Evans ..... D4/114  
D470,981 S \* 2/2003 Simon ..... D30/158

D508,299 S \* 8/2005 Dunn ..... D4/138  
D616,651 S \* 6/2010 Lin ..... D30/158  
D666,007 S \* 8/2012 Harris ..... D4/134  
D688,425 S \* 8/2013 Fernandez ..... D30/158  
D798,000 S \* 9/2017 Knoll ..... D4/106  
D826,572 S \* 8/2018 Hanson ..... D4/124  
D912,335 S \* 3/2021 Wu ..... D30/158  
D935,196 S \* 11/2021 Zheng ..... D4/134  
D939,154 S \* 12/2021 Tang ..... D30/159  
D939,787 S \* 12/2021 Yan ..... D30/158

\* cited by examiner

*Primary Examiner* — Austin Murphy

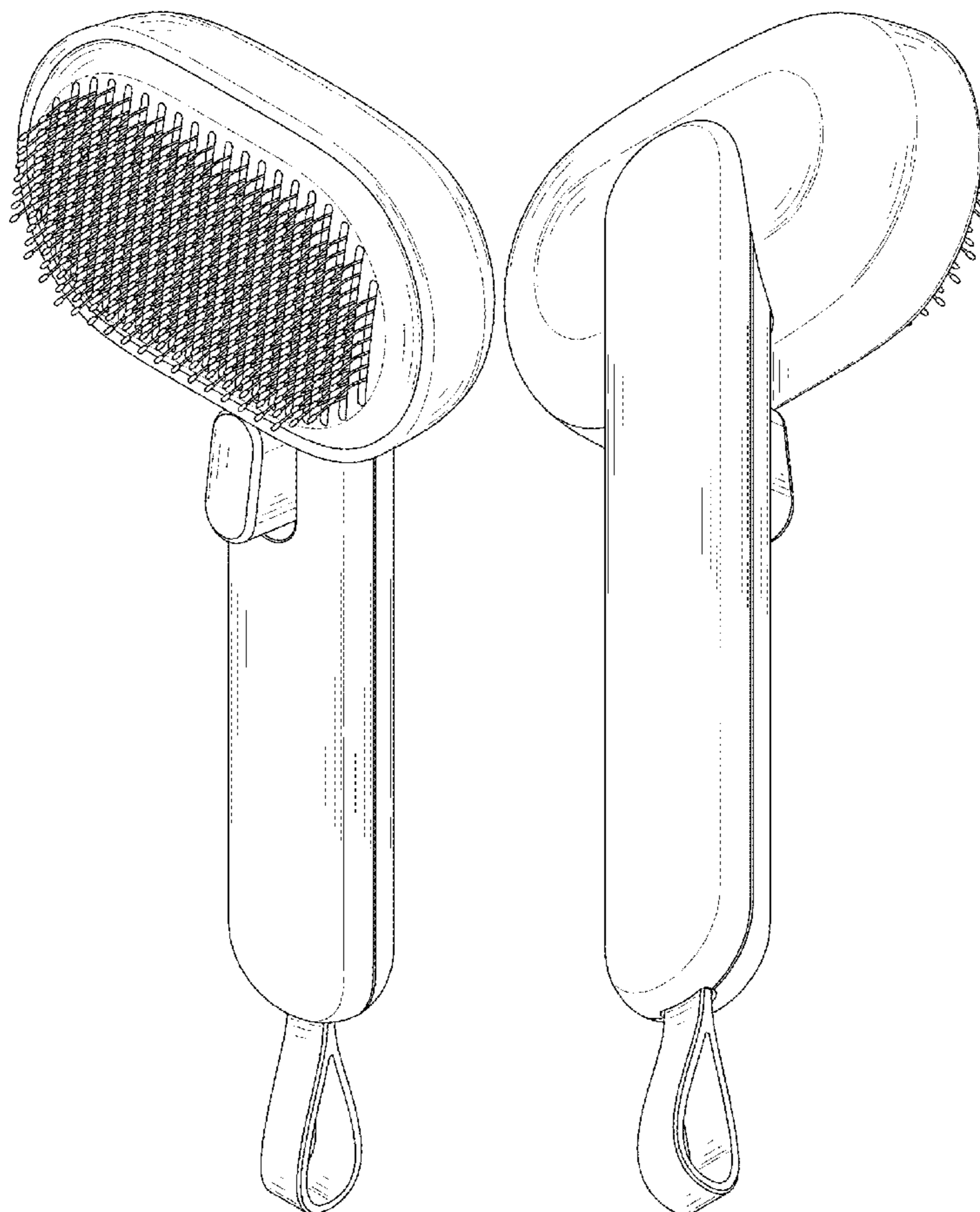
(57) **CLAIM**

The ornamental design for a pet brush, as shown and described.

**DESCRIPTION**

FIG. 1 is a first perspective view of a pet brush showing my new design;  
FIG. 2 is a second perspective view thereof;  
FIG. 3 is a front view thereof;  
FIG. 4 is a back view thereof;  
FIG. 5 is a right side view thereof;  
FIG. 6 is a left side view thereof;  
FIG. 7 is a top view thereof; and,  
FIG. 8 is a bottom view thereof.

**1 Claim, 8 Drawing Sheets**



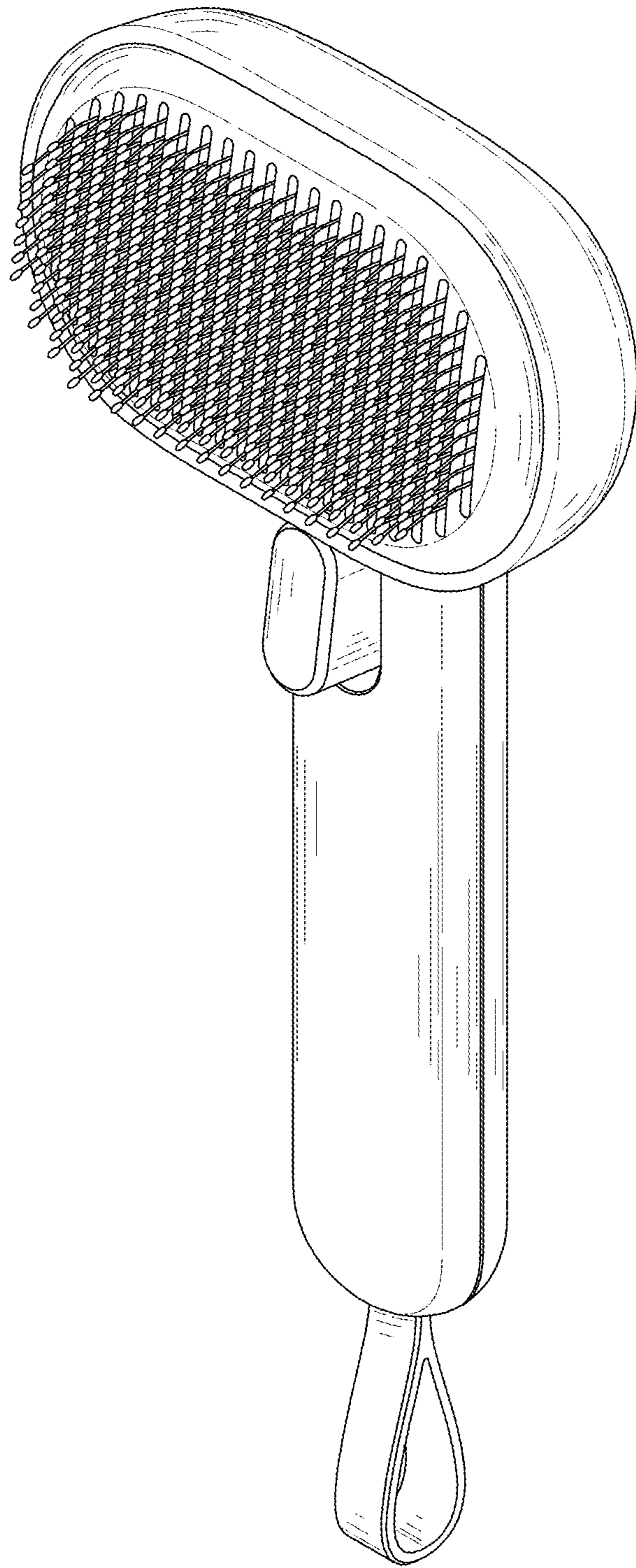


FIG. 1

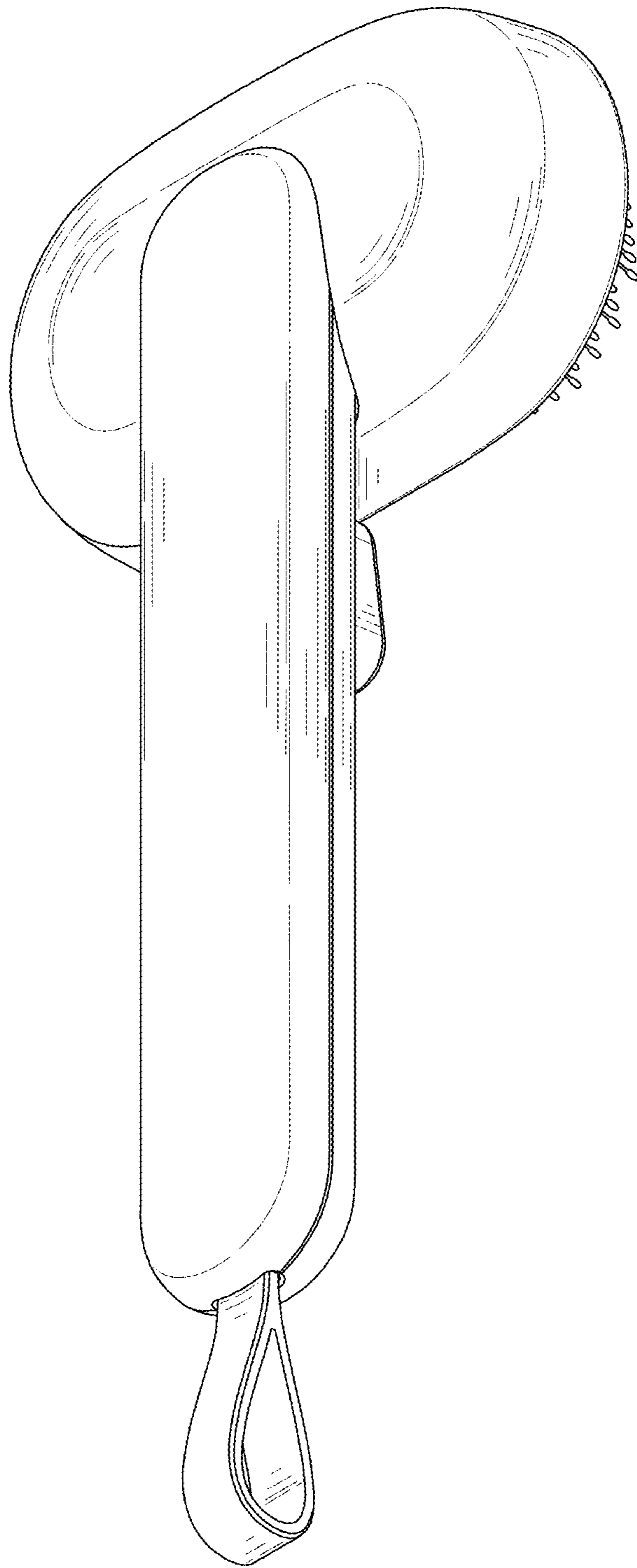


FIG. 2

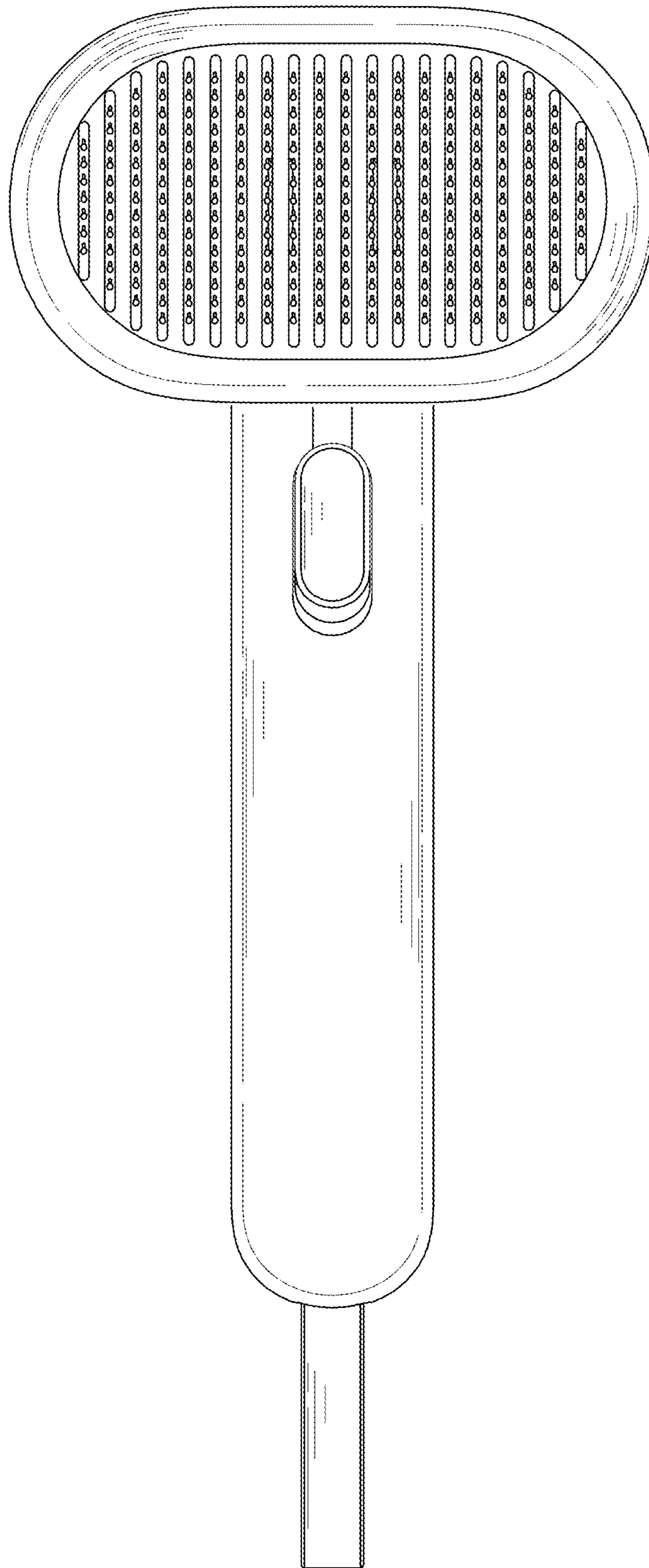


FIG. 3



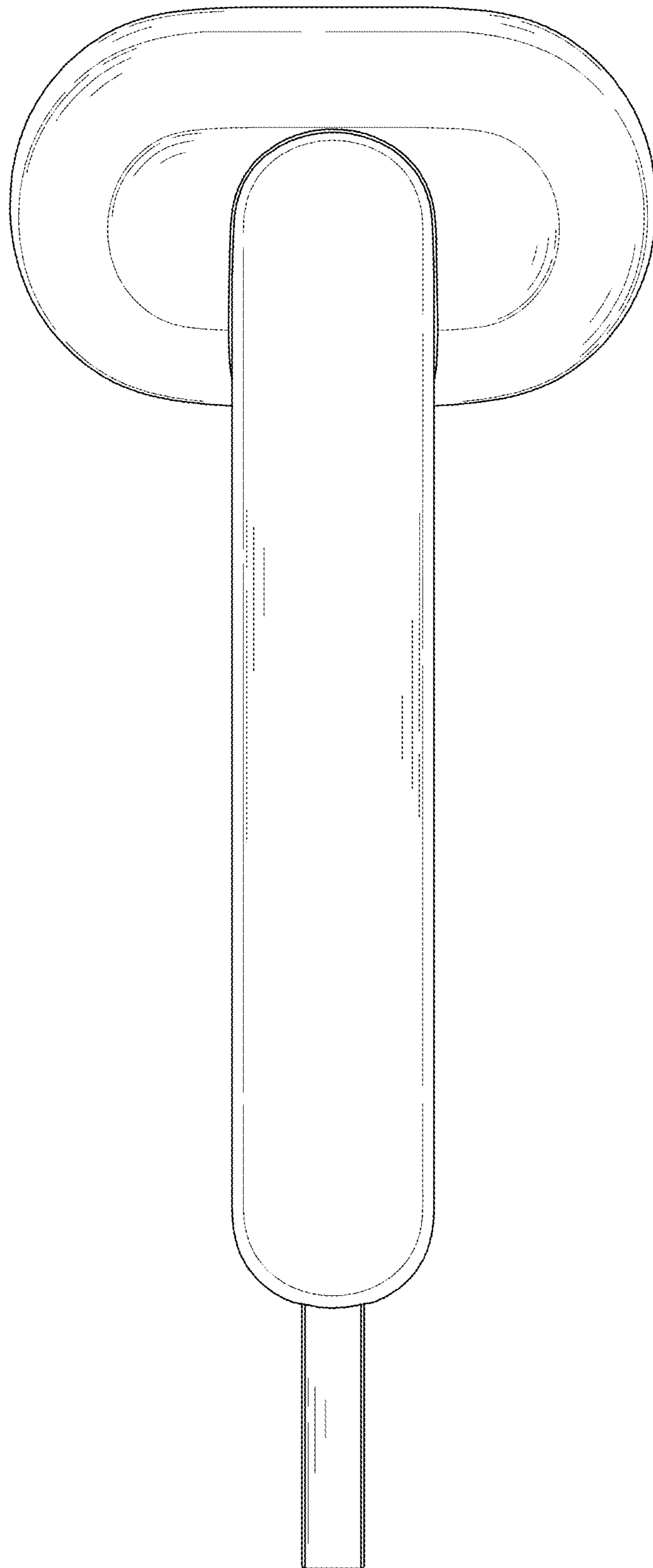


FIG. 4

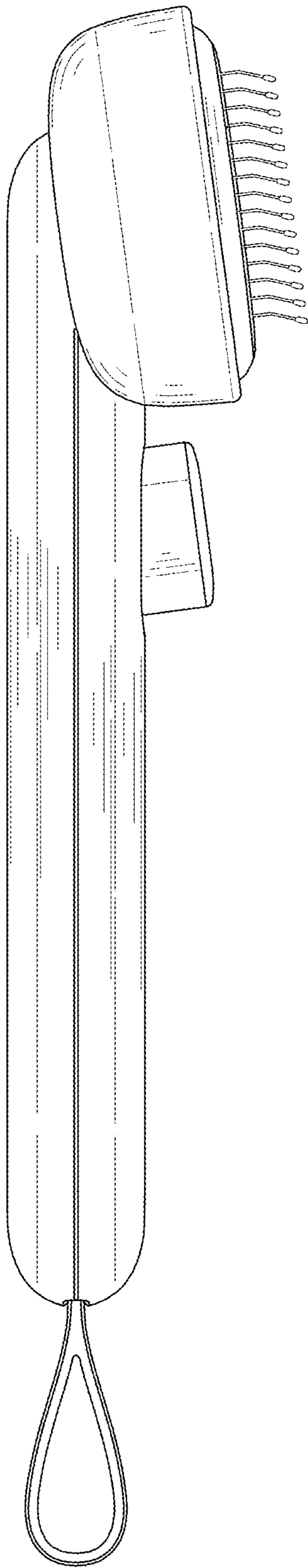


FIG. 5

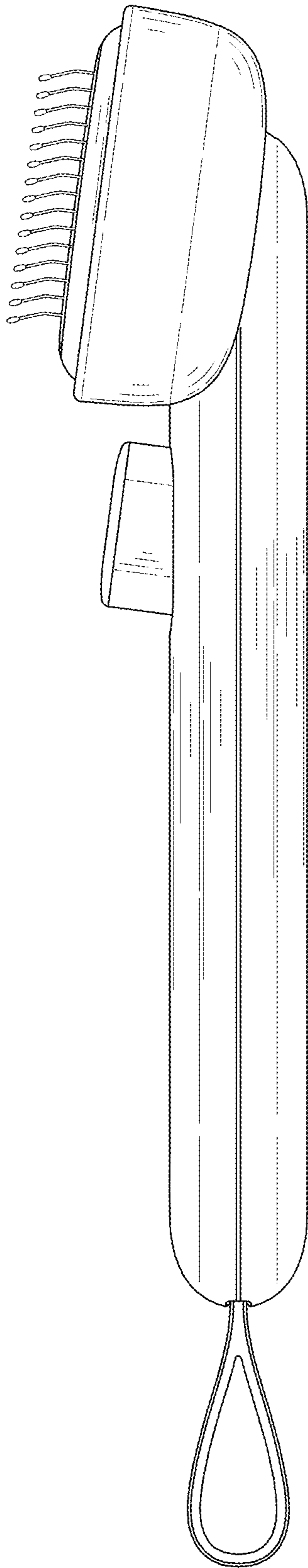


FIG. 6

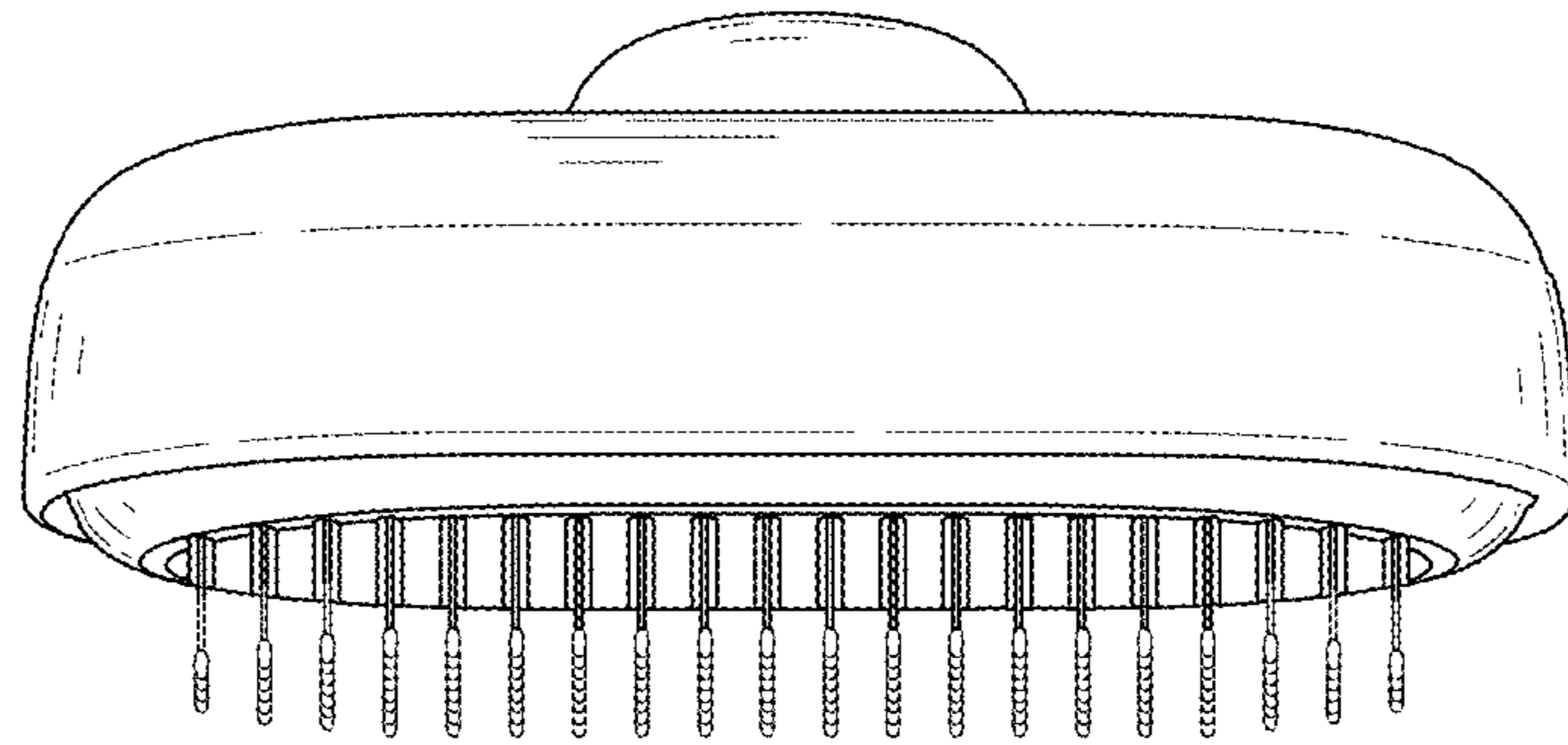


FIG. 7



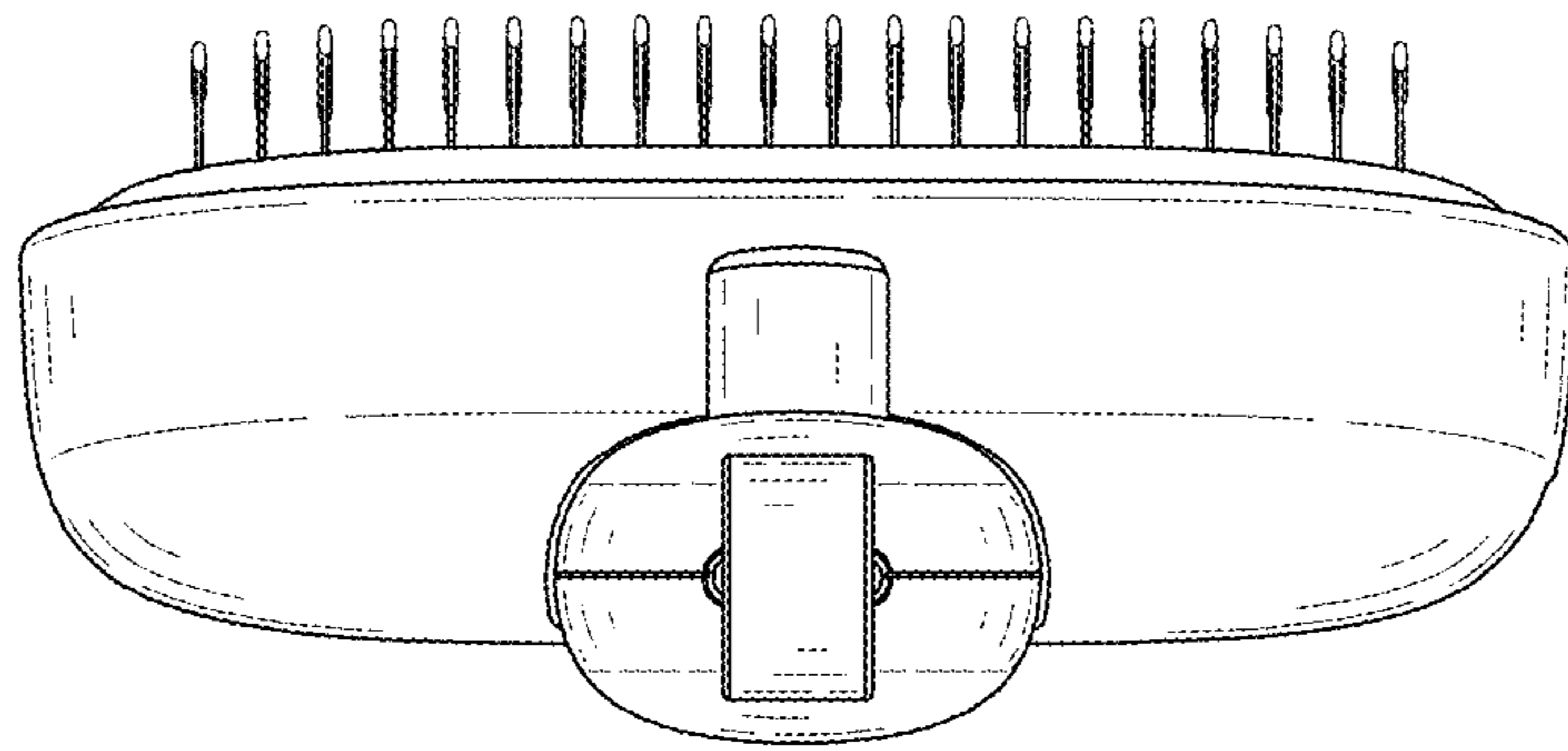


FIG. 8