



US00D953655S

(12) **United States Design Patent**  
**Tu**

(10) **Patent No.:** **US D953,655 S**

(45) **Date of Patent:** **\*\* May 31, 2022**

(54) **PET WATER FOUNTAIN**

(71) Applicant: **Zhushi Tu**, Hubei (CN)

(72) Inventor: **Zhushi Tu**, Hubei (CN)

(\*\*) Term: **15 Years**

(21) Appl. No.: **29/753,048**

(22) Filed: **Sep. 29, 2020**

(30) **Foreign Application Priority Data**

Jun. 10, 2020 (CN) ..... 202030291661.0

(51) **LOC (13) Cl.** ..... **30-03**

(52) **U.S. Cl.**  
USPC ..... **D30/132**

(58) **Field of Classification Search**  
USPC ..... D30/121-133; D23/202, 207, 209, 213,  
D23/222, 225, 255-256, 272-273  
CPC .. A01K 5/0114; A01K 5/0121; A01K 5/0135;  
A01K 7/005; A01K 7/00; A01K 39/02;  
F04B 23/00; F04B 23/02; Y10T  
137/86035; Y10T 137/8376  
See application file for complete search history.

(56) **References Cited**

**U.S. PATENT DOCUMENTS**

D681,888 S *	5/2013	Fang	.....	D30/132
D738,579 S *	9/2015	Owens	.....	D30/132
D820,533 S *	6/2018	Huang	.....	D30/132
D849,336 S *	5/2019	Huang	.....	D30/132
D849,337 S *	5/2019	Huang	.....	D30/132
D850,731 S *	6/2019	Wu	.....	D30/132
D893,810 S *	8/2020	Wu	.....	D30/132

D894,500 S *	8/2020	Cui	.....	D30/132
D912,333 S *	3/2021	Wang	.....	D30/132
D912,910 S *	3/2021	Xue	.....	D30/132
D914,300 S *	3/2021	Wu	.....	D30/132
D917,660 S *	4/2021	Lu	.....	D23/201
D927,798 S *	8/2021	Tao	.....	D30/132

\* cited by examiner

*Primary Examiner* — Karen S Acker  
*Assistant Examiner* — Jonathan E Fiencke

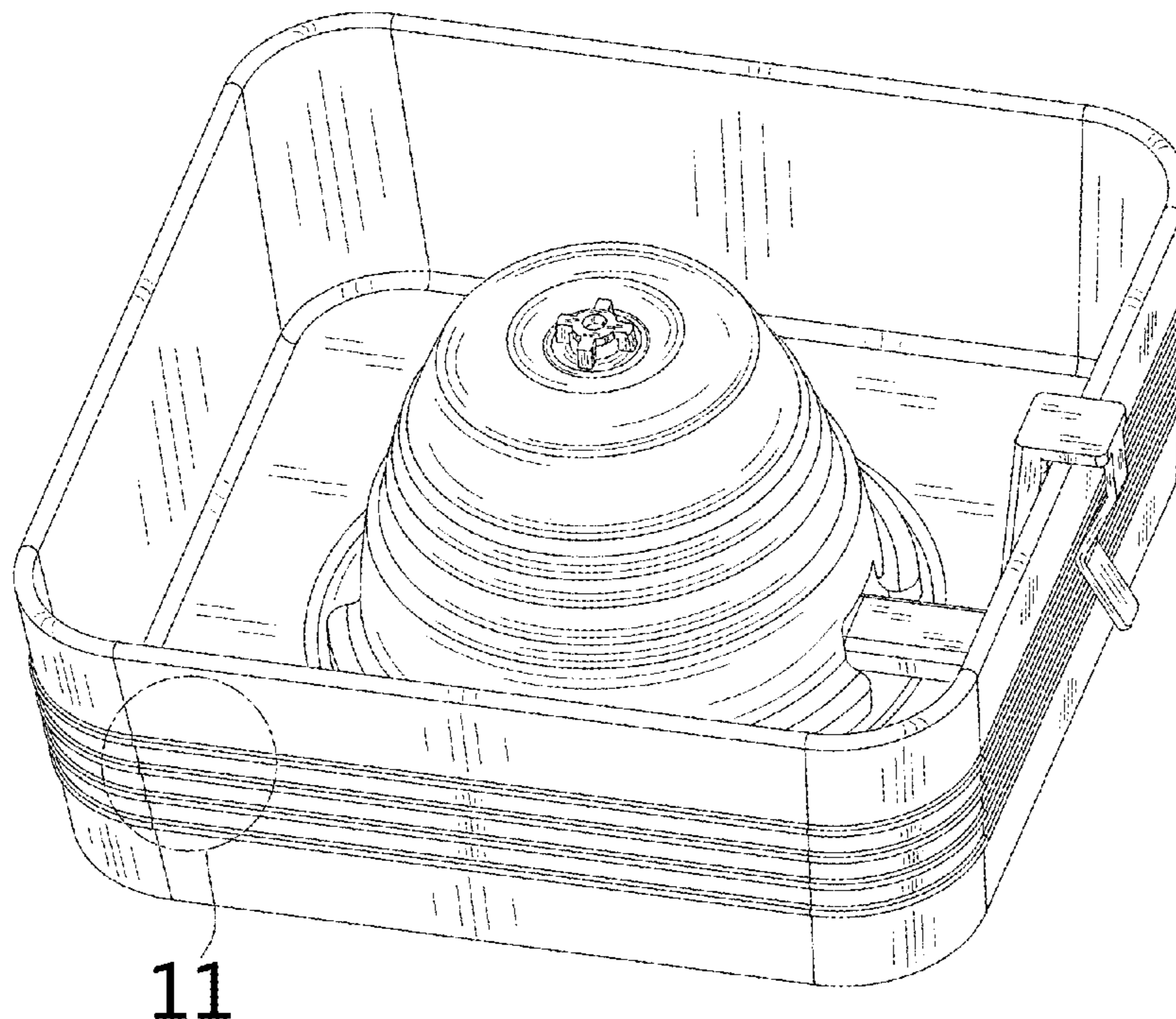
(57) **CLAIM**

The ornamental design for a pet water fountain, as shown and described.

**DESCRIPTION**

FIG. 1 is a front elevational view of a pet water fountain showing my new design;  
FIG. 2 is a rear elevational view thereof;  
FIG. 3 is a left side view thereof;  
FIG. 4 is a right side view thereof;  
FIG. 5 is a top plan view thereof;  
FIG. 6 is a bottom plan view thereof;  
FIG. 7 is a top, front and right side perspective view thereof;  
FIG. 8 is a bottom, front and right side perspective view thereof;  
FIG. 9 is an enlarged detail view of area 9 circumscribed within FIG. 1;  
FIG. 10 is an enlarged detail view of area 10 circumscribed within FIG. 6; and,  
FIG. 11 is an enlarged detail view of area 11 circumscribed within FIG. 7.  
The dot dash dot broken lines depict the boundaries of the detail areas and form no part of the claim.

**1 Claim, 11 Drawing Sheets**



**11**

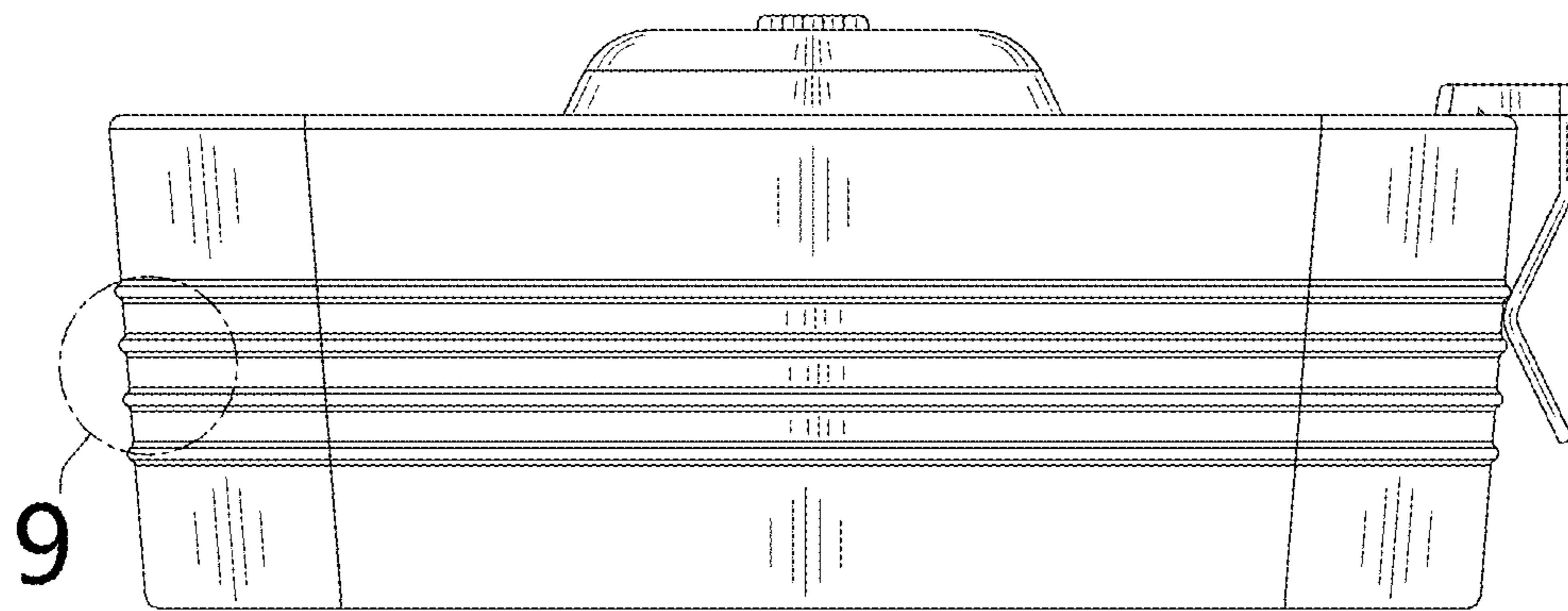


FIG.1

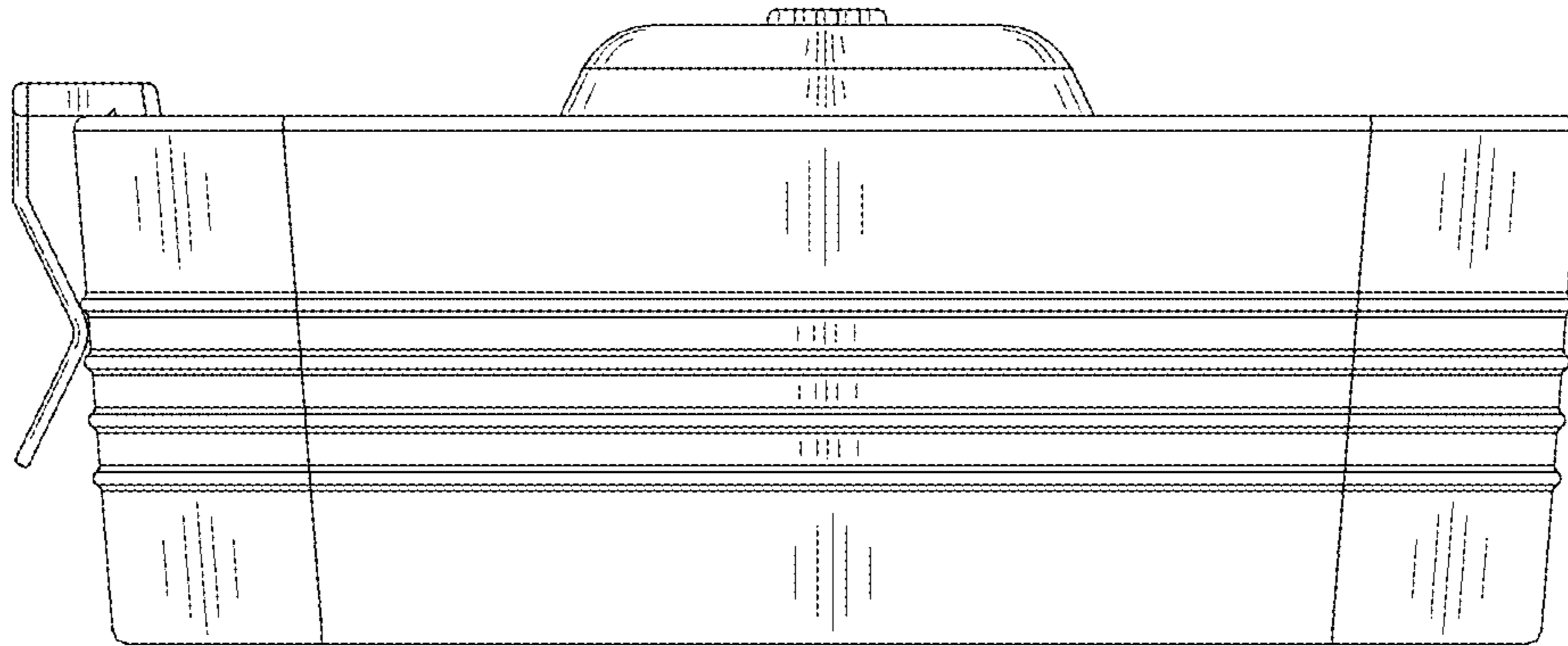


FIG.2

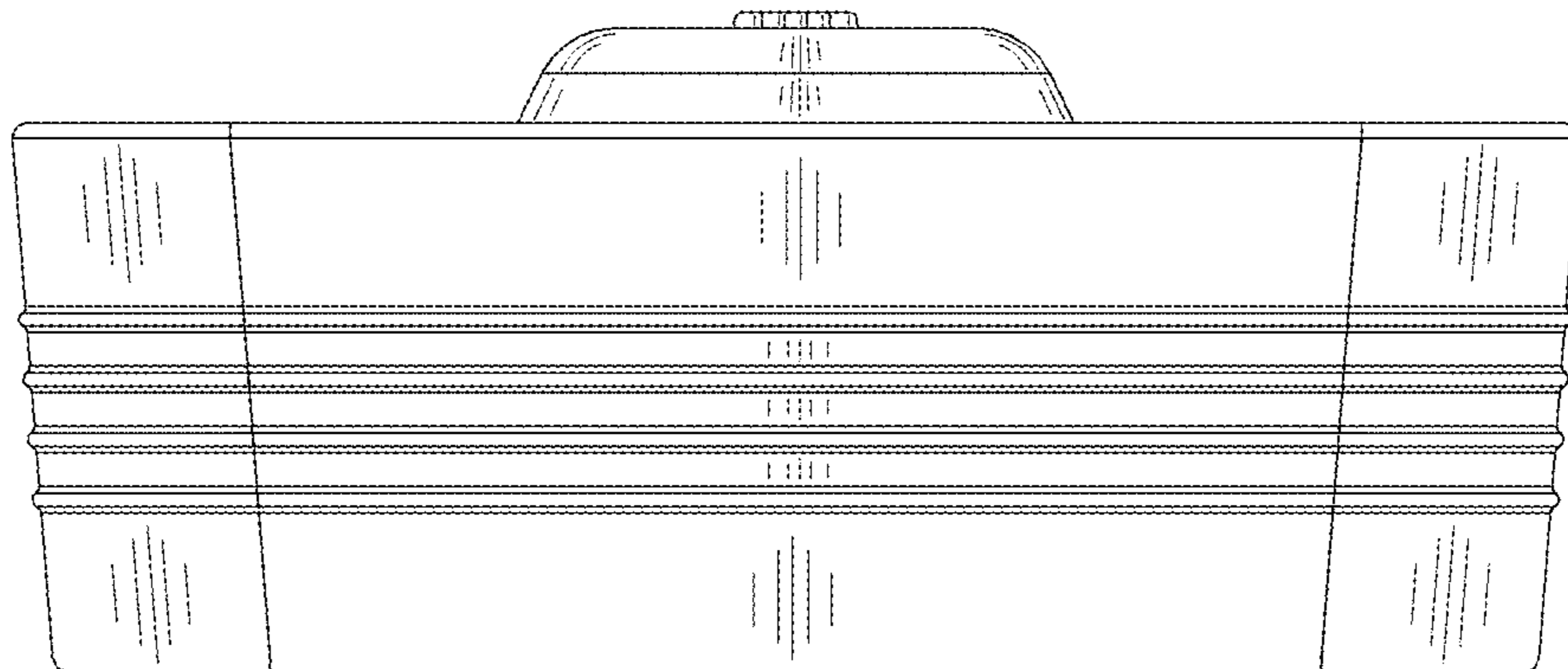


FIG.3

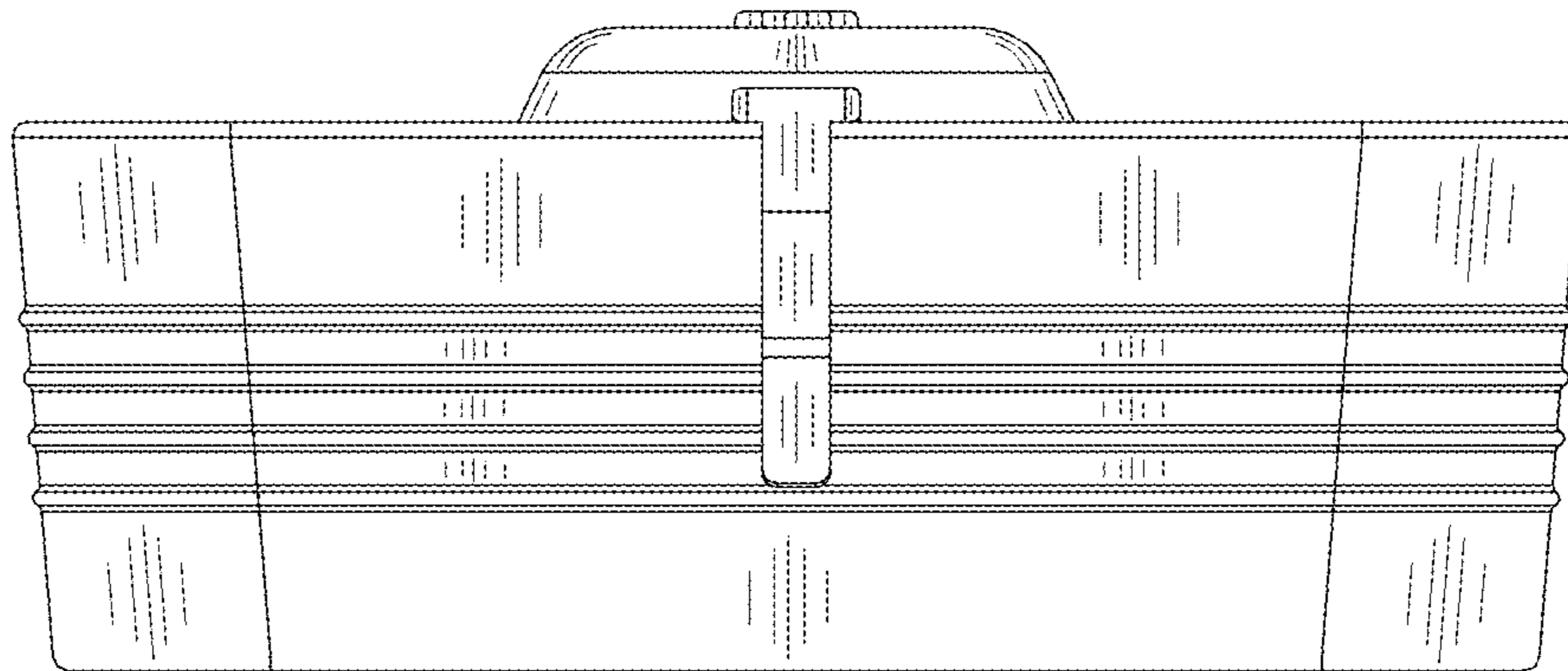


FIG.4

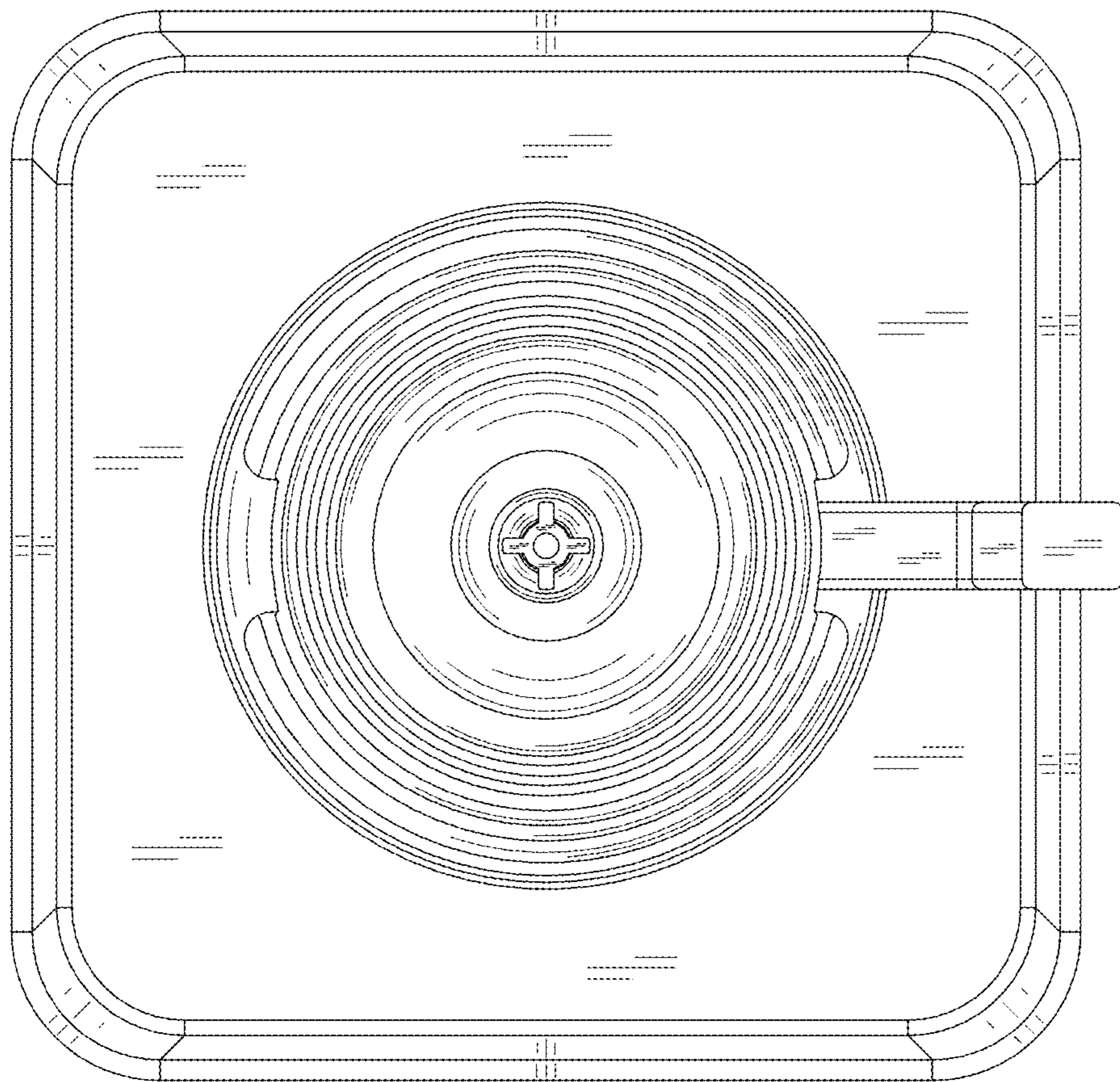


FIG.5

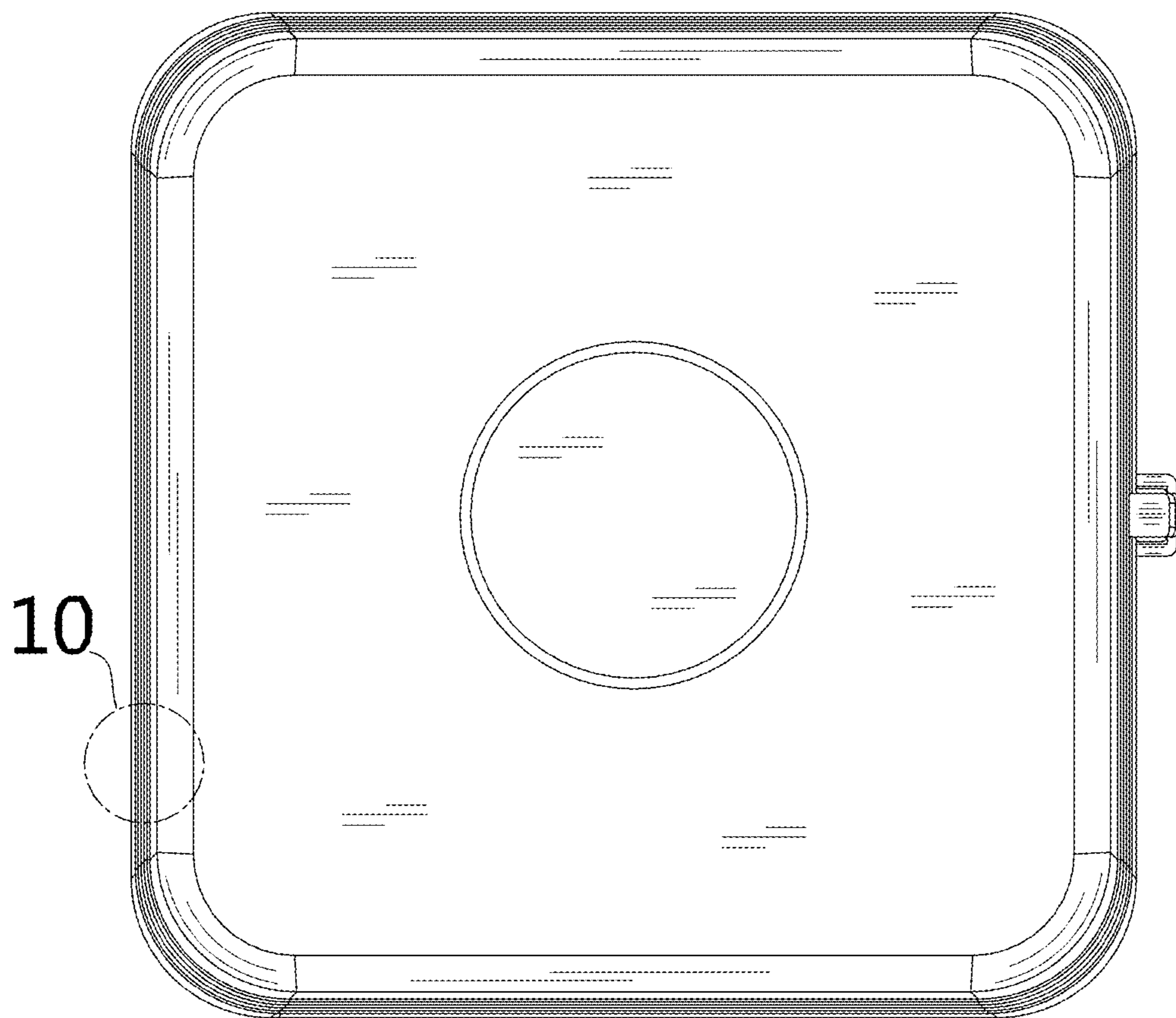


FIG.6

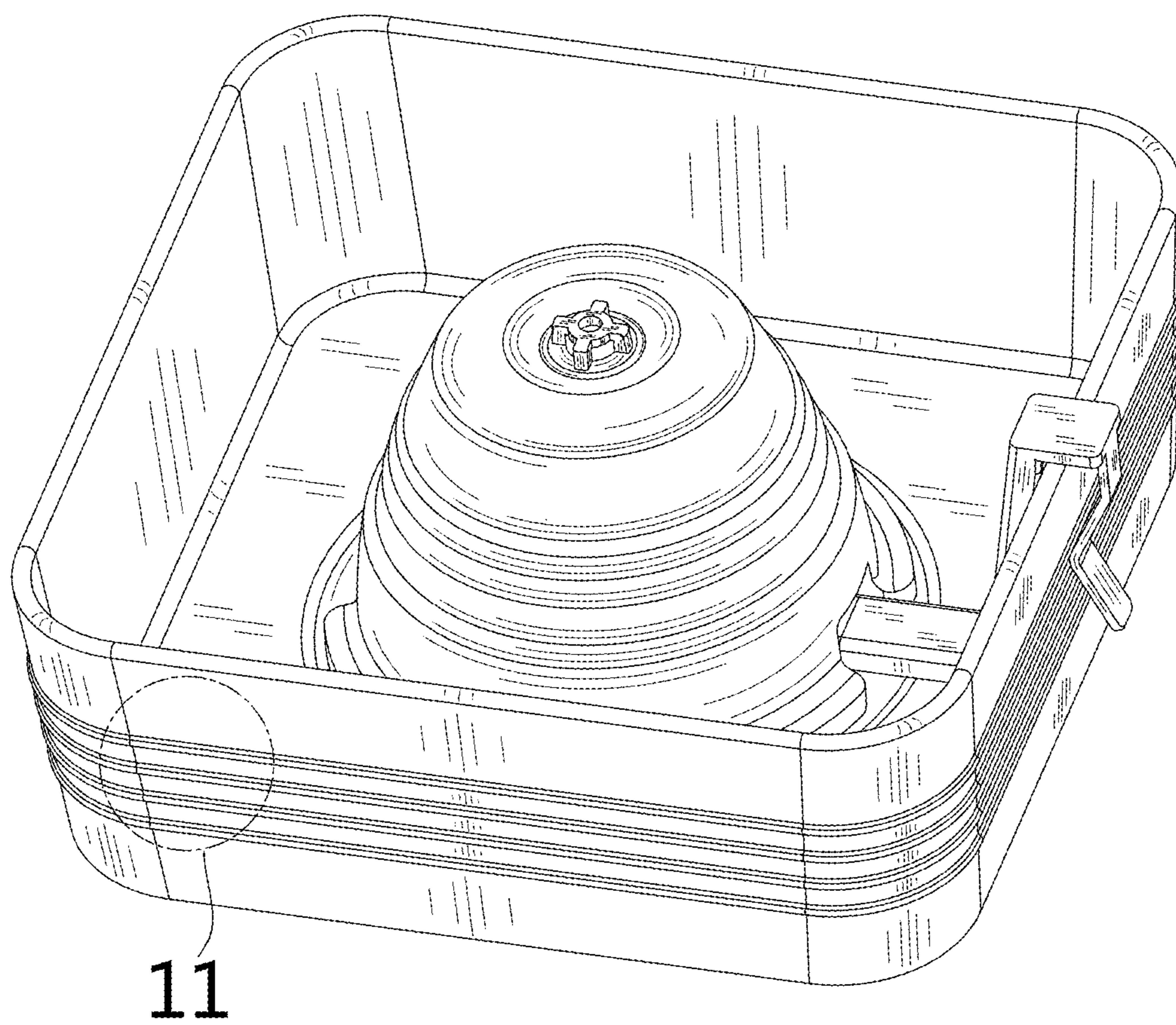


FIG.7



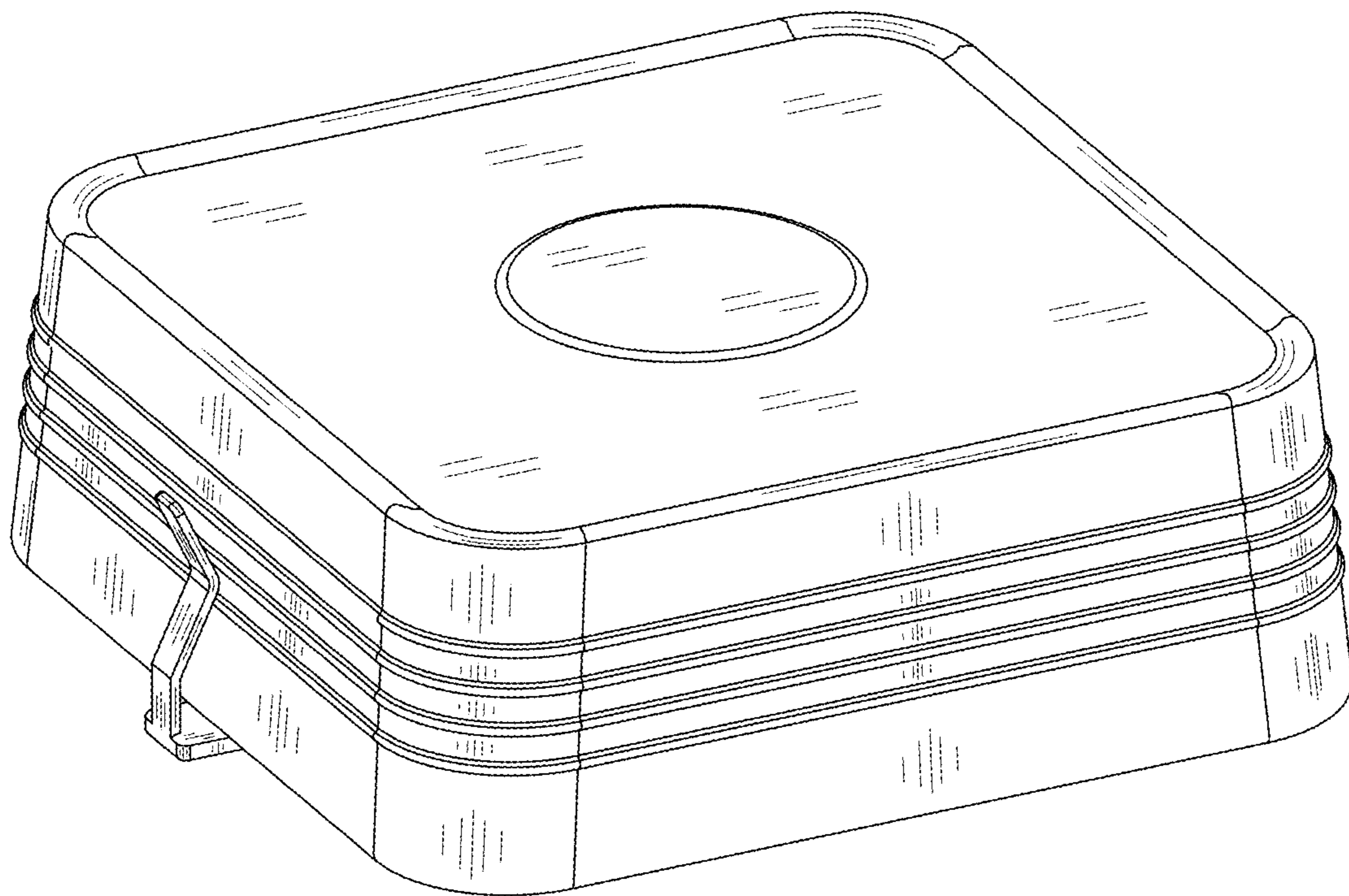


FIG.8

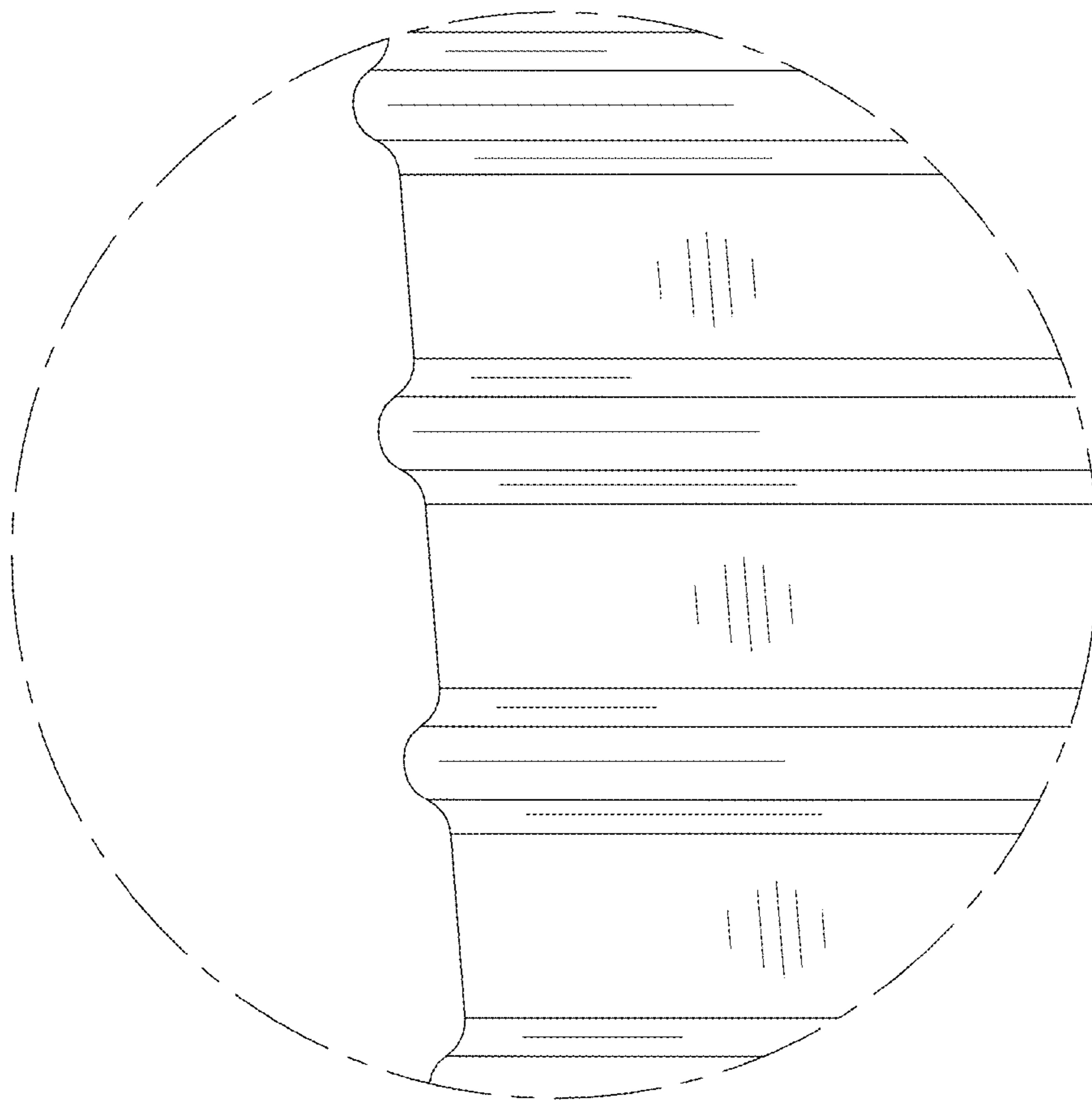


FIG. 9

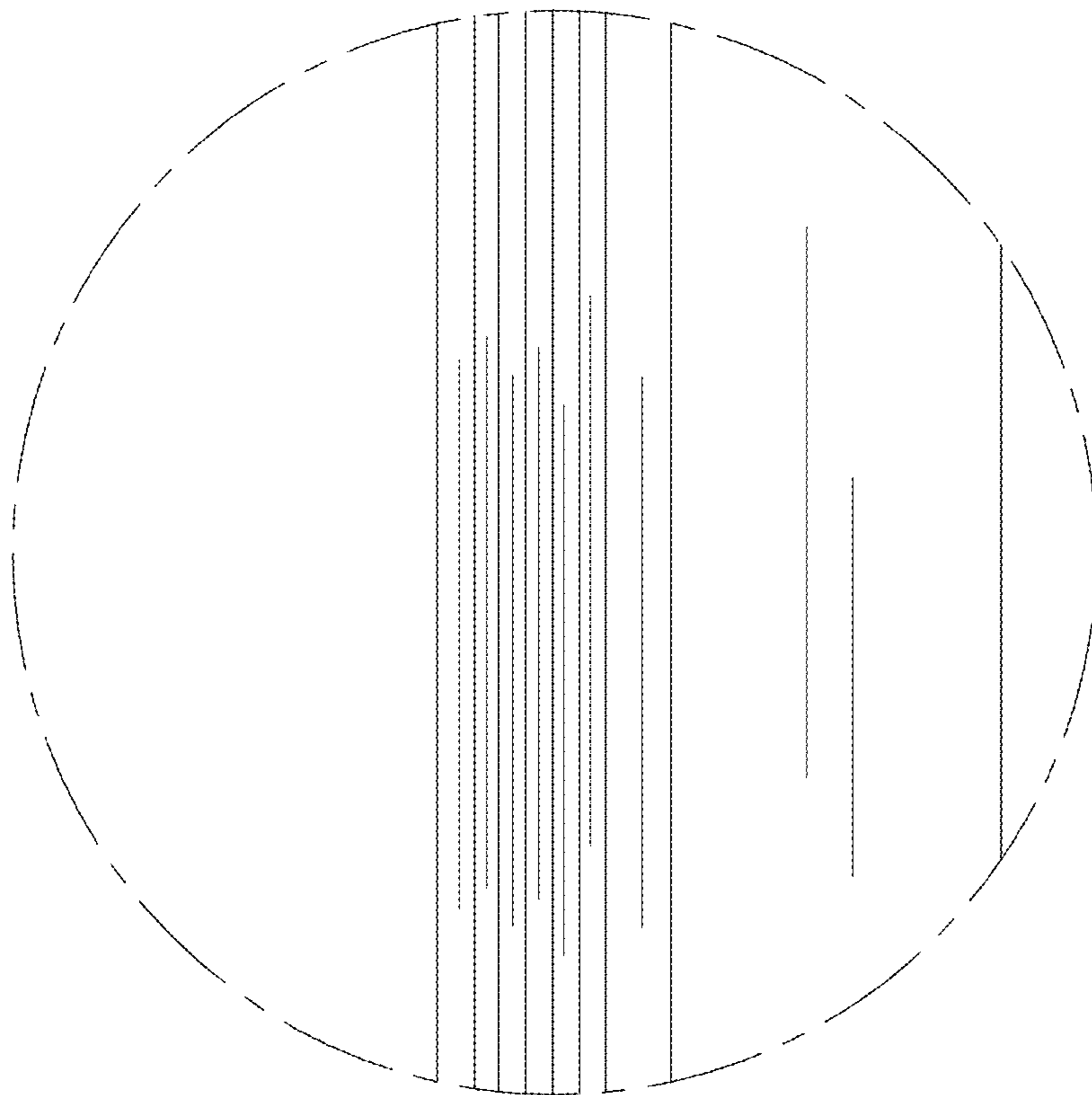


FIG.10

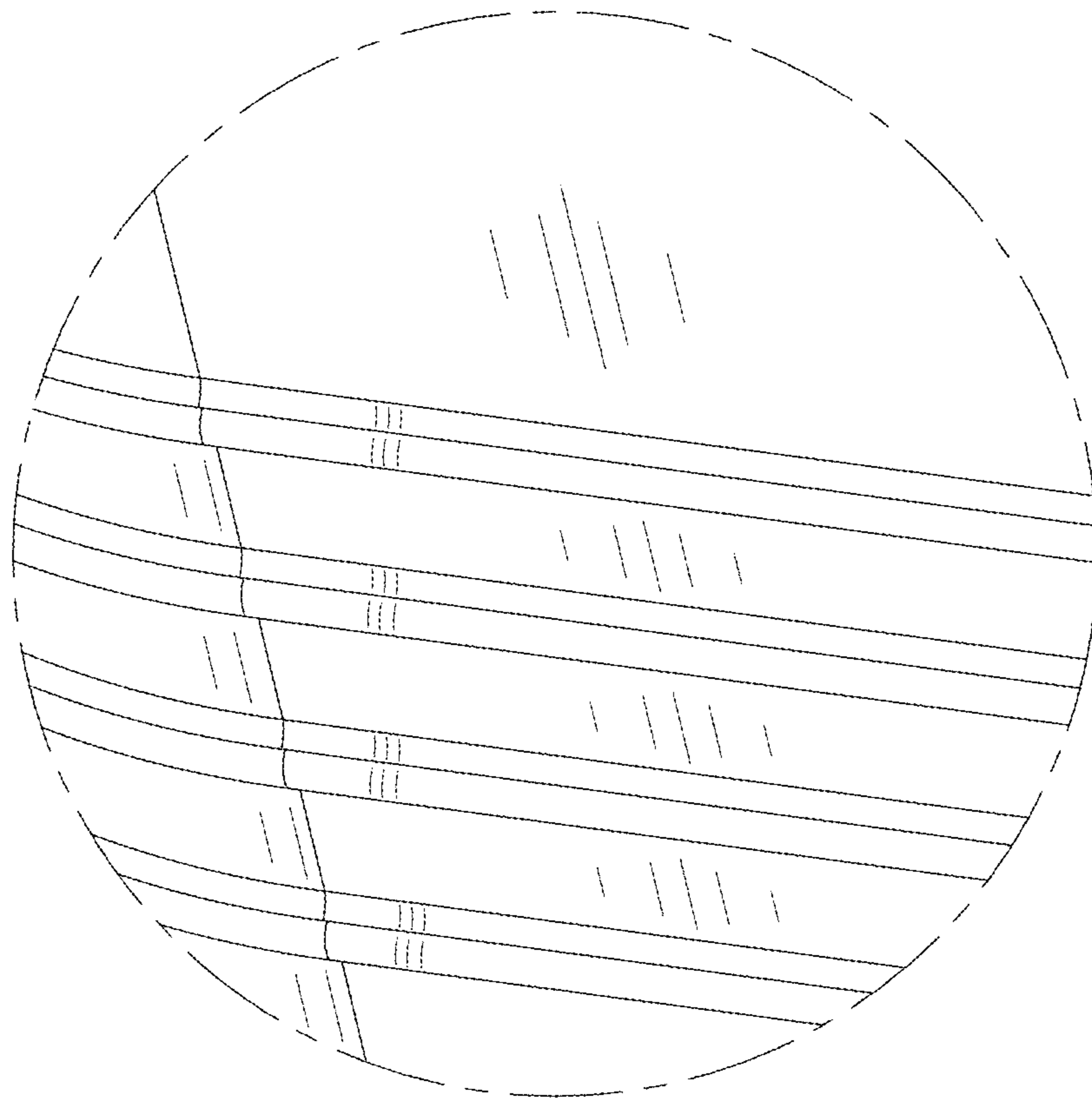


FIG.11