



US00D953654S

(12) **United States Design Patent**
Kerr

(10) **Patent No.:** **US D953,654 S**

(45) **Date of Patent:** **** May 31, 2022**

(54) **PET BOWL**

(71) Applicant: **Darya Kerr**, Seattle, WA (US)

(72) Inventor: **Darya Kerr**, Seattle, WA (US)

(**) Term: **15 Years**

(21) Appl. No.: **29/777,763**

(22) Filed: **Apr. 8, 2021**

(51) **LOC (13) Cl.** **30-03**

(52) **U.S. Cl.**
USPC **D30/129**

(58) **Field of Classification Search**
USPC D30/108, 118, 119, 120, 121, 122, 124,
D30/125, 128, 129, 130, 131, 132, 133;
119/51.01, 51.02, 51.03, 51.11, 51.12,
119/51.13, 51.5, 52.1, 57, 57.1, 57.92, 58,
119/60, 61.1, 61.5, 61.52, 61.54, 61.55,
119/61.57, 72, 72.5, 73, 74, 75, 78, 174;
D21/801, 803, 809; D1/100
CPC A01K 1/0353; A01K 5/00; A01K 39/02;
A01K 39/04; A01K 39/0213
See application file for complete search history.

(56) **References Cited**

U.S. PATENT DOCUMENTS

D27,891 S *	11/1897	Miner	D7/584
785,116 A *	3/1905	Perry	F16J 15/106 277/649
1,272,996 A	7/1918	Poschadel	
D55,838 S	7/1920	Badgley	
1,569,710 A *	1/1926	Burt	A01K 1/0353 119/28.5
2,032,248 A *	2/1936	Bins	A01K 1/0353 119/482
D107,402 S	12/1937	Bates	
D114,551 S *	5/1939	Morgan	D7/624.1
D151,473 S	10/1948	Stahler	
2,552,476 A *	5/1951	Barton	A47C 7/021 5/653

D167,876 S *	9/1952	Auer	D8/374
D169,400 S *	4/1953	Wales	D21/390
3,085,545 A	4/1963	Ore	
3,135,978 A *	6/1964	Grasmoen	A47C 27/081 441/66
3,152,576 A *	10/1964	Faurot	A01K 5/0135 119/72
D205,102 S	6/1966	Pawleka et al.	
D227,231 S	6/1973	Stamper	

(Continued)

OTHER PUBLICATIONS

“Ceramic Bowl” available Oct. 8, 2020, [online], [site visited Nov. 26, 2021]. Retrieved from Internet, URL:https://www.amazon.com/Ceramic-Puppies-Feeding-Removable-Fashion/dp/B08KVLRKMR/ref=sr_1_58 (Year: 2020).*

(Continued)

Primary Examiner — W. A. Teddy Falloway

Assistant Examiner — Katrina N Gonzalez

(74) *Attorney, Agent, or Firm* — Michael J. Feigin, Esq.;
Feigin and Fridman LLC

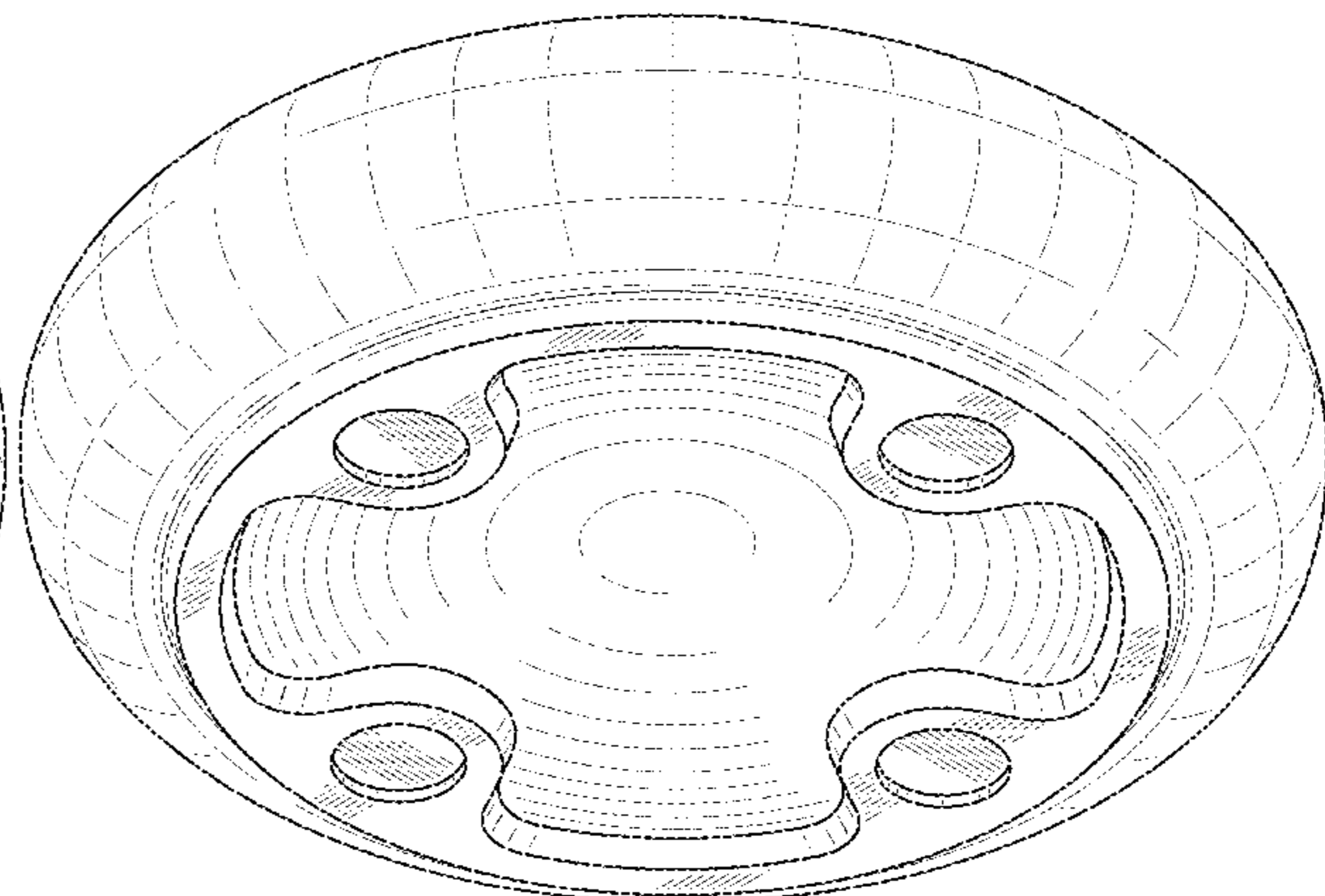
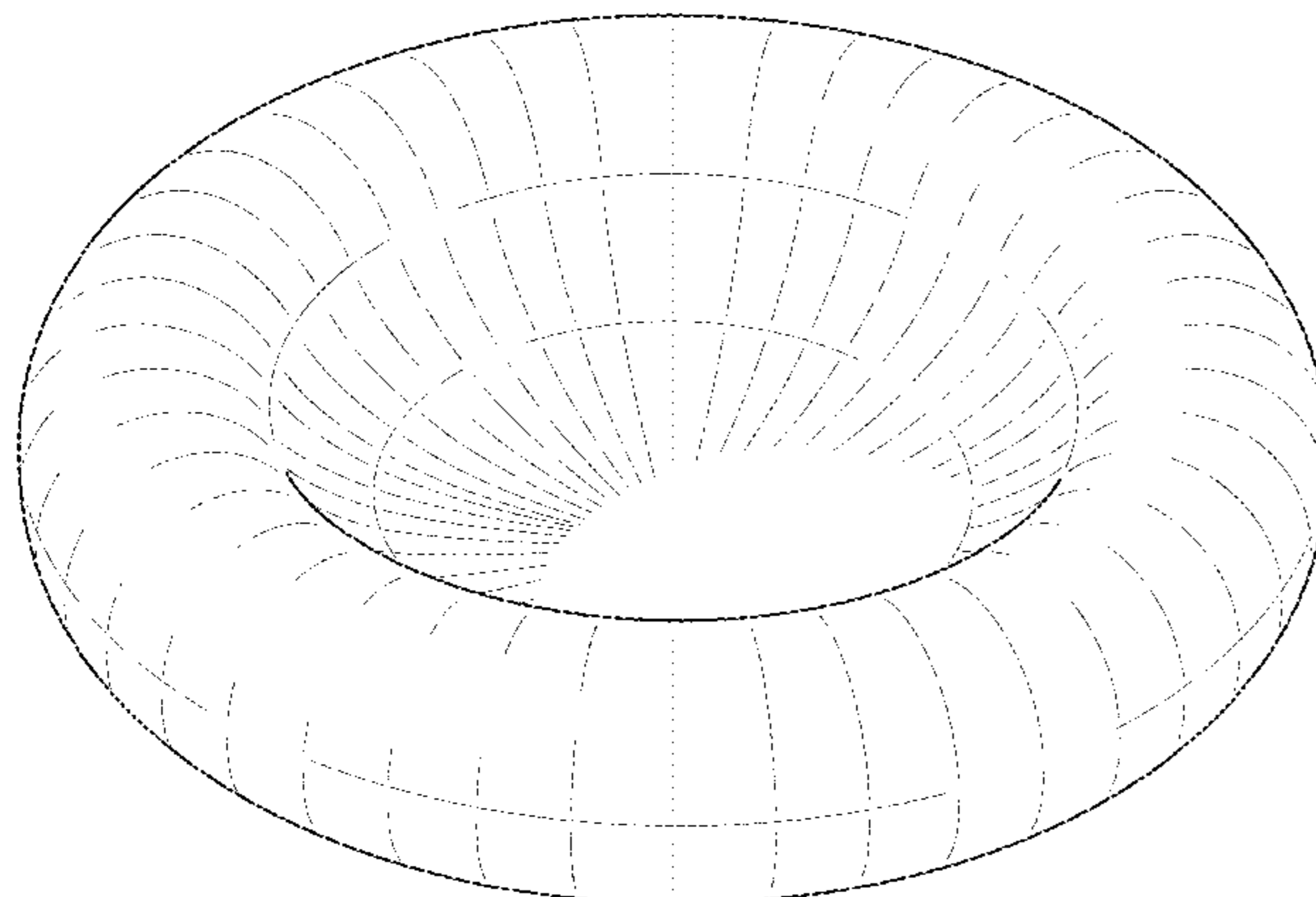
(57) **CLAIM**

The ornamental design for a pet bowl, as shown and described.

DESCRIPTION

FIG. 1 shows a top and side perspective view of a pet bowl. FIG. 2 shows a bottom and side perspective view thereof. FIG. 3 shows a top plan view thereof. FIG. 4 shows a bottom plan view thereof. FIG. 5 shows a first side view thereof, the opposite side being a mirror image thereof. FIG. 6 shows a second side view thereof; and, FIG. 7 is a cross-sectional front view taken along and in the direction of line 7-7 in FIG. 2.

1 Claim, 5 Drawing Sheets



(56)

References Cited

U.S. PATENT DOCUMENTS

3,902,456	A *	9/1975	David	A01K 1/0353 119/28.5	D580,245	S	11/2008	Mazur
4,036,178	A *	7/1977	Lee	A01K 11/006 119/51.02	D586,527	S	2/2009	Perkins
D245,662	S *	9/1977	Hall	D7/624.1	D600,862	S	9/2009	Sin
4,157,631	A *	6/1979	Kifferstein	A63H 33/18 446/188	D601,385	S	10/2009	Savage
4,257,353	A	3/1981	Imhoff			D607,616	S	1/2010	Newsome et al.
D276,640	S	12/1984	Paczko			D616,760	S	6/2010	Deurer
D287,772	S	1/1987	Stewart			D618,859	S	6/2010	Hudson
D293,947	S	1/1988	Younker			D630,070	S	1/2011	Mazur
D295,962	S *	5/1988	Conlon	D24/227	D636,945	S	4/2011	Anderson et al.
D303,441	S	9/1989	Keller			D646,852	S	10/2011	Chance et al.
D303,853	S	10/1989	Keller			D648,492	S	11/2011	Able
4,880,112	A	11/1989	Conrad			D655,054	S	2/2012	Lipscomb et al.
D305,846	S	2/1990	Griffith			D657,365	S	4/2012	Sung
D343,482	S	1/1994	Keller			D659,197	S *	5/2012	Slone D21/443
D344,209	S	2/1994	Cousins			D659,296	S	5/2012	Anderson
D349,019	S *	7/1994	Stinson	D7/584	D676,710	S	2/2013	Kwok
D349,213	S	8/1994	Cousins			D682,481	S	5/2013	Krueger
5,341,953	A	8/1994	Forester			D682,485	S	5/2013	Wygle
D356,717	S *	3/1995	Smith	D7/540	D683,190	S	5/2013	Shields
D358,008	S	5/1995	Keller			D683,592	S	6/2013	Shields
D367,587	S	3/1996	Perlmutter et al.			D684,211	S	6/2013	Roth
D369,191	S *	4/1996	Dunipace	D21/443	8,464,659	B1	6/2013	Batman
D374,517	S	10/1996	Morrill			D685,283	S	7/2013	Katoh
D375,585	S	11/1996	Goetz			D689,547	S	9/2013	Bayer
D377,246	S	1/1997	Clenney			D701,909	S	4/2014	Pascale
5,662,065	A *	9/1997	Bandimere	A01K 1/0353 119/28.5	D705,500	S	5/2014	Gambino
5,674,103	A	10/1997	Bean			D711,052	S	8/2014	Lee
D388,134	S *	12/1997	Dunipace	D21/443	D718,004	S	11/2014	Stovall
D401,288	S *	11/1998	Dunipace	D21/443	D725,478	S	3/2015	Huang
D402,318	S *	12/1998	Dunipace	D21/443	D729,989	S	5/2015	Krueger
D420,170	S	2/2000	Chen			D744,173	S	11/2015	Jones et al.
D422,502	S	4/2000	Keller			D744,174	S	11/2015	Jones et al.
D424,757	S	5/2000	Cooper			D749,367	S	2/2016	Wirth
D430,620	S *	9/2000	Cann	D21/443	D752,922	S	4/2016	Greenwood
D438,349	S	2/2001	Keller			D756,042	S	5/2016	Kulesus et al.
D439,707	S	3/2001	Hansen et al.			D757,373	S	5/2016	Breit
D467,044	S	12/2002	Tangolics			9,332,729	B1	5/2016	Hyle et al.
D467,687	S	12/2002	Tangolics			D758,674	S	6/2016	Youn
D468,589	S	1/2003	Bulcher			D770,280	S	11/2016	Katopis
D471,677	S	3/2003	Northrop			D772,493	S	11/2016	Wu
D472,021	S	3/2003	Northrop			D772,494	S	11/2016	Wu
D481,592	S	11/2003	Bulcher			D773,932	S	12/2016	Katopis
D482,393	S	11/2003	Hui			D774,907	S	12/2016	Planer
D489,941	S	5/2004	Bulcher			D782,127	S	3/2017	Wechsler
6,742,821	B2	6/2004	Kleinpell			D782,749	S	3/2017	Michizoe
D496,077	S	9/2004	Rutherford			D784,631	S	4/2017	Smesny
D497,081	S	10/2004	Tranfaglia			D789,801	S	6/2017	Johnson
D501,364	S	2/2005	Tranfaglia			D792,661	S	7/2017	Wold
D501,517	S *	2/2005	Vodhanel, Jr.	A63H 33/18 D21/443	9,723,812	B2	8/2017	Jones et al.
D502,294	S	2/2005	Hung			D801,121	S	10/2017	Kerr et al.
D503,617	S	4/2005	Roth			D801,948	S	11/2017	Picunko
D504,987	S	5/2005	Morris			D802,853	S	11/2017	MacNeil et al.
D511,463	S	11/2005	Wolters			D803,488	S	11/2017	Nifong et al.
D514,750	S	2/2006	Matula			D803,511	S	11/2017	Lee
D516,382	S	3/2006	King			D805,700	S	12/2017	Owens, III
D522,183	S	5/2006	Wylie			D812,319	S	3/2018	Singer
D523,017	S	6/2006	Blaustein			D815,365	S	4/2018	Scariot
D526,121	S	8/2006	Nip			D815,544	S	4/2018	Soegyanto
7,204,202	B2	4/2007	Behun			D816,279	S	4/2018	Peninger
D541,994	S	5/2007	Dana			D820,531	S	6/2018	Peninger et al.
D542,146	S	5/2007	Wirtel			D820,532	S	6/2018	Peninger et al.
D542,359	S *	5/2007	Vodhanel, Jr.	A63H 33/18 D21/443	D821,658	S	6/2018	Danenberg et al.
D547,526	S	7/2007	Perkins			D823,553	S	7/2018	Liu
D564,710	S	3/2008	Modi et al.			D824,602	S	7/2018	Danenberg et al.
7,337,943	B2	3/2008	Johns			D824,676	S	8/2018	Jian
D566,346	S	4/2008	Crone			D830,010	S	10/2018	Kerr
7,387,082	B1	6/2008	Fried			D830,035	S	10/2018	Terral
7,441,514	B2	10/2008	Dana			D830,662	S	10/2018	Bruzzese
						10,111,402	B2	10/2018	Takagi
						D834,981	S *	12/2018	Grois D11/2
						D836,545	S	12/2018	Satomi
						D838,550	S	1/2019	Kerr et al.
						D840,611	S	2/2019	Takagi et al.
						D842,916	S	3/2019	Hathway
						D852,628	S *	7/2019	Zerebny D9/455
						D853,199	S	7/2019	Huang
						D854,260	S	7/2019	Maeda
						D856,086	S	8/2019	Goulet Dubois
						D857,308	S	8/2019	Bak

(56)

References Cited

U.S. PATENT DOCUMENTS

D863,253 S 10/2019 He
 D863,698 S 10/2019 Miyawaki et al.
 D867,198 S 11/2019 Wang
 D867,372 S 11/2019 Luciew
 D868,026 S 11/2019 Hardi
 10,479,564 B2 11/2019 Li
 10,479,575 B2 11/2019 Danenberg et al.
 D869,191 S 12/2019 Sullins
 D869,433 S 12/2019 Huan
 D872,159 S 1/2020 Hsieh
 D877,568 S 3/2020 Finell
 D877,569 S 3/2020 Finell
 D884,669 S 5/2020 Zhong
 D889,052 S 6/2020 Bak
 D890,124 S 7/2020 ShiXing
 D892,080 S 8/2020 Krakovski
 D896,382 S 9/2020 Fan
 D899,706 S 10/2020 Liang
 D904,696 S 12/2020 Xu
 D909,989 S 2/2021 Lu
 D918,488 S 5/2021 Kerr et al.
 2003/0066489 A1* 4/2003 Whitehill A01K 1/0353
 119/28.5
 2004/0231607 A1 11/2004 Hollinger
 2006/0000418 A1 1/2006 Kubala
 2007/0089678 A1 4/2007 Greenwood
 2010/0101499 A1* 4/2010 Gibson A01K 7/005
 119/61.5
 2013/0291802 A1 11/2013 Carpentieri

2014/0261191 A1* 9/2014 Laite A01K 15/025
 119/28.5
 2016/0135420 A1 5/2016 Takagi
 2016/0330931 A1* 11/2016 Ambs A01K 1/0353

OTHER PUBLICATIONS

“Puppies Bowls” available Oct. 27, 2020, [online], [site visited Nov. 26, 2021]. Retrieved from Internet, URL:https://www.amazon.com/Ceramic-Puppies-Feeding-Removable-Fashion/dp/B08LZPF8NL/ref=sr_1_54 (Year: 2020).*

“ZZL Dog Dish” available Nov. 25, 2020, [online], [site visited Nov. 26, 2021]. Retrieved from Internet, URL:https://www.amazon.com/ZZL-Ceramic-Puppies-Feeding-Removable/dp/B08P4MN124/ref=sr_1_53 (Year: 2020).*

“Pet Bowls Ceramic Bowl” available Dec. 9, 2020, [online], [site visited Nov. 26, 2021]. Retrieved from Internet, URL:https://www.amazon.com/Ceramic-Puppies-Feeding-Removable-Fashion/dp/B08Q4C4J7H/ref=sr_1_52 (Year: 2020).*

“Makesure—Supermarcat” available Jun. 16, 2021, [online], [site visited Nov. 26, 2021]. Retrieved from Internet, URL:<https://supermarcat.com.au/products/makesure-modern-cat-bowl-with-2-in-1-stand> (Year: 2021).*

“Donuts Shaped Ceramic Cat Bowl” available Aug. 11, 2021, [online], [site visited Nov. 26, 2021]. Retrieved from Internet, URL:<https://happyandpolly.com/products/donuts-shaped-cat-bowl> (Year: 2021).*

“Pretty Pet Bowls” available Nov. 26, 2021, [online], [site visited Nov. 26, 2021]. Retrieved from Internet, URL:https://www.amazon.com/Ceramic-Puppies-Feeding-Removable-Fashion/dp/B09DCQF4Y3/ref=sr_1_43 (Year: 2021).*

* cited by examiner

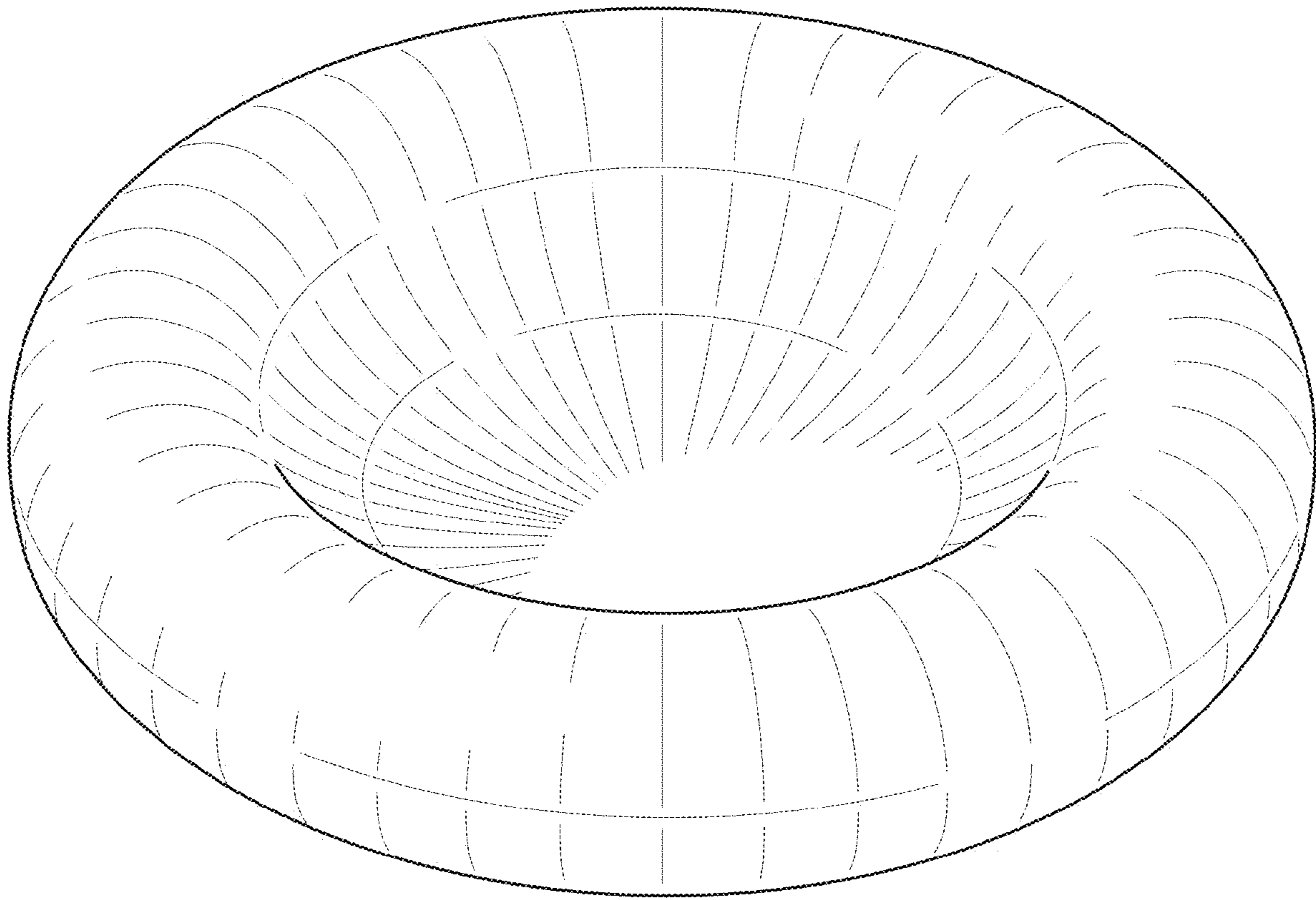


FIG. 1

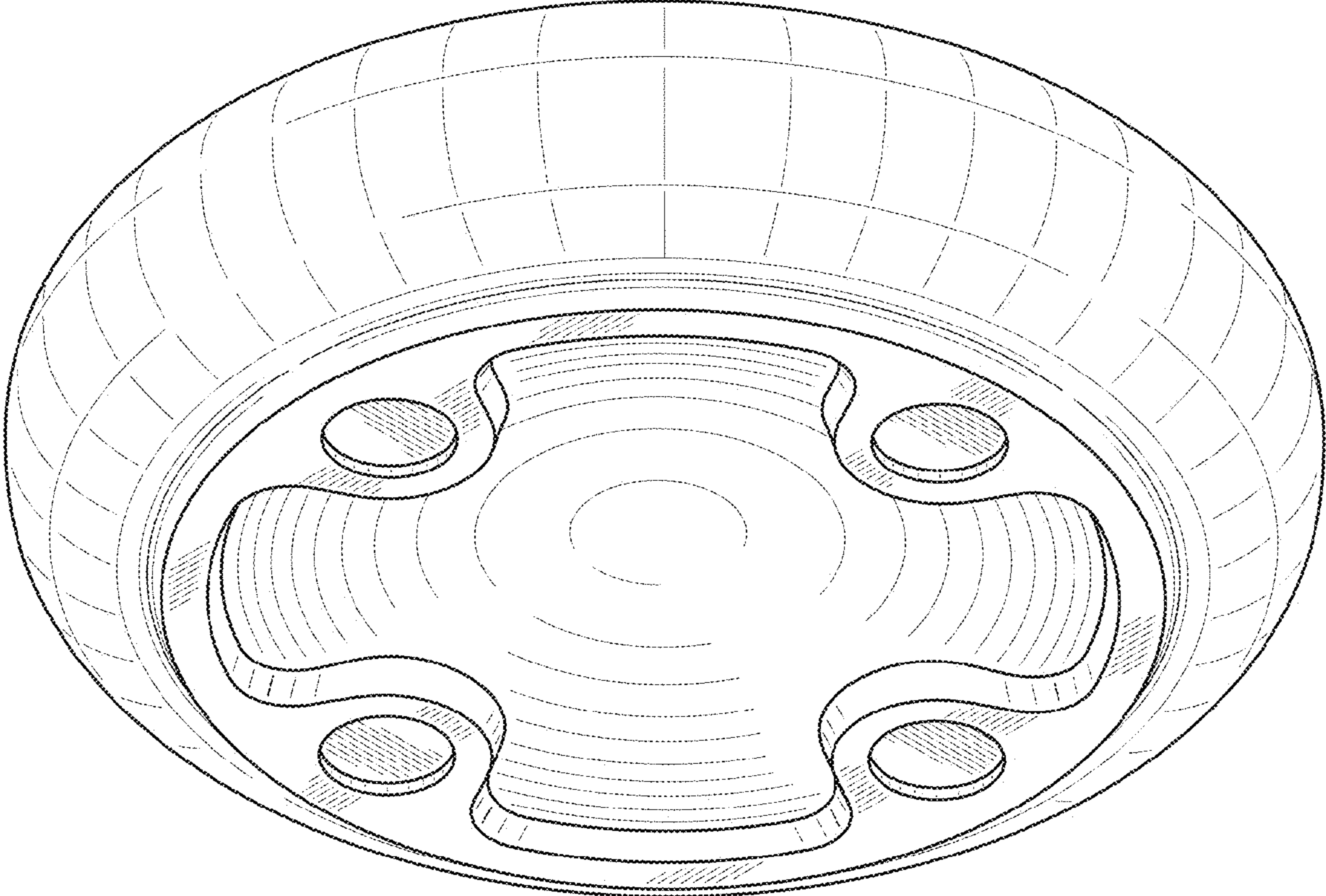


FIG. 2

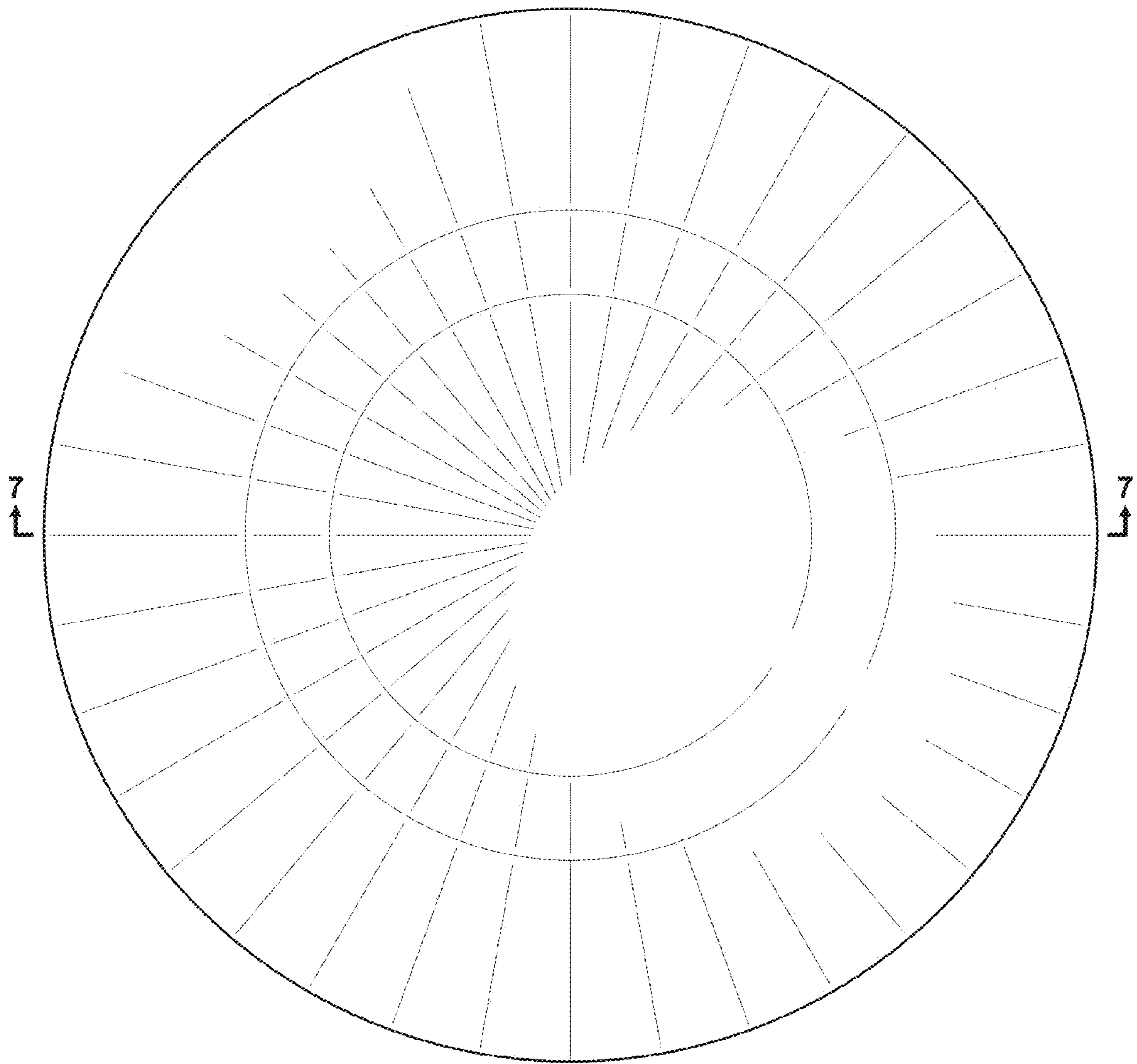


FIG. 3

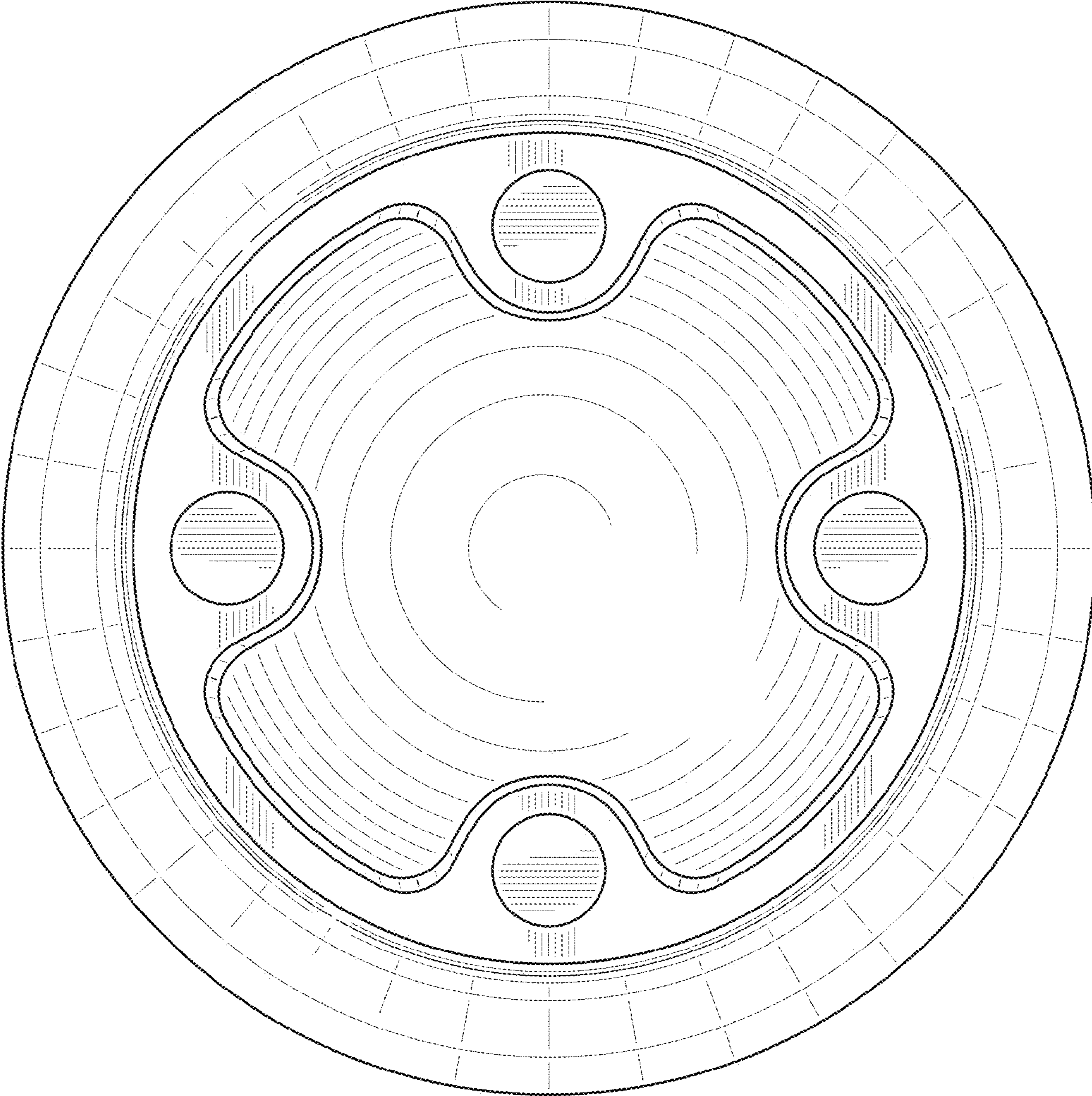


FIG. 4

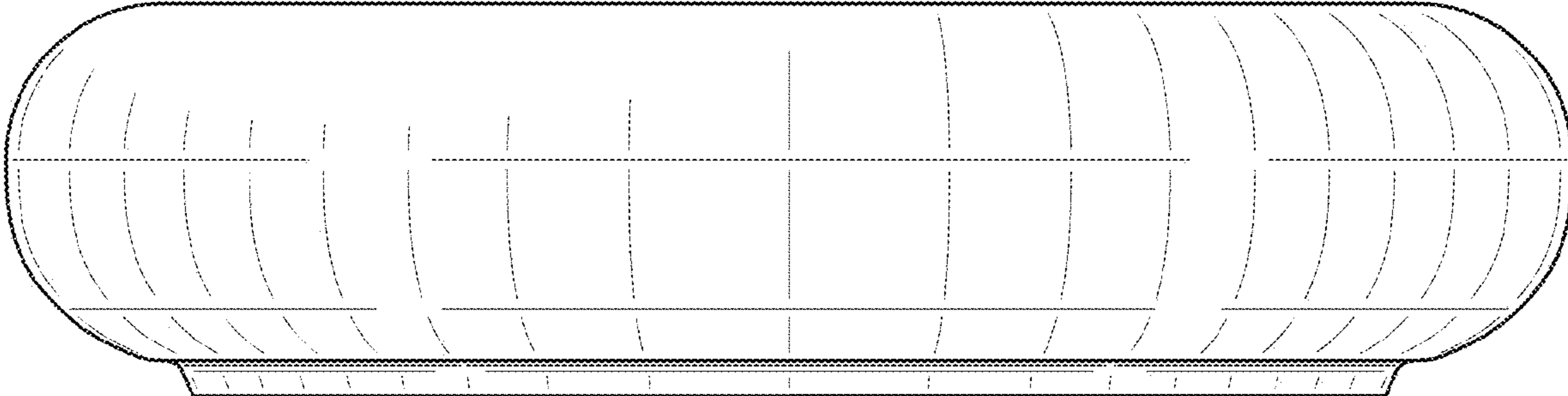


FIG. 5

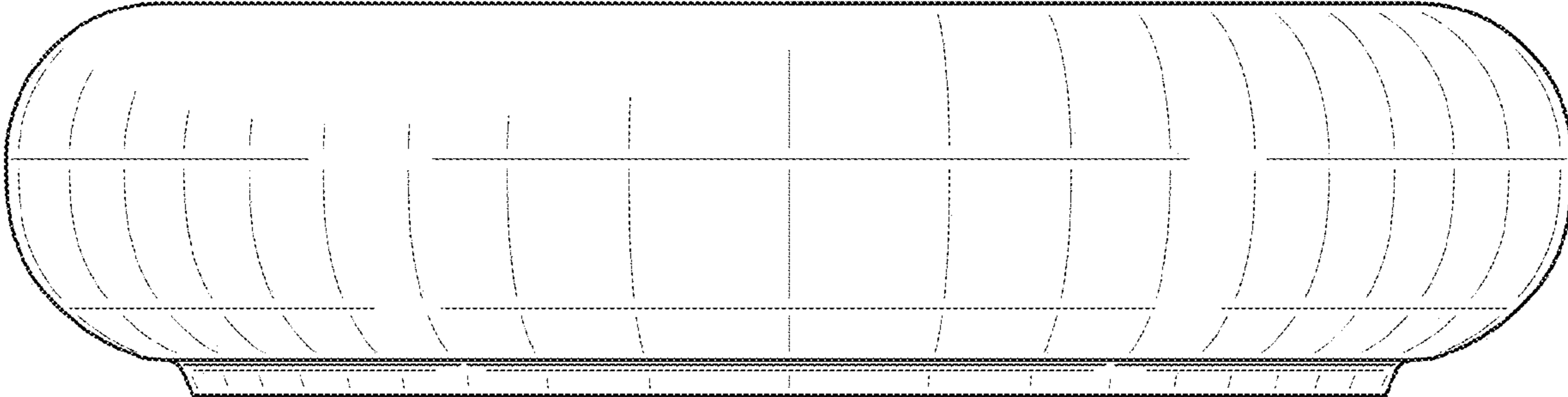


FIG. 6

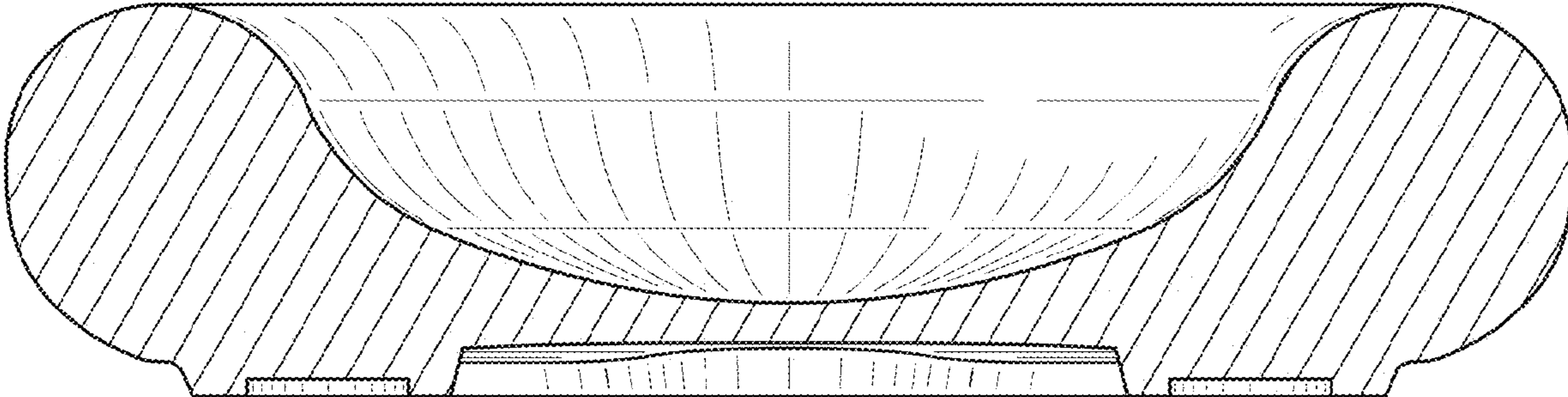


FIG. 7