



US00D953653S

(12) **United States Design Patent**
He et al.

(10) **Patent No.:** **US D953,653 S**
(45) **Date of Patent:** **** May 31, 2022**

(54) **FOLDABLE PET CAGE FRAME**
(71) Applicant: **Zhongshan Ekar Uping Houseware Co., Ltd.**, Guangdong (CN)
(72) Inventors: **Jianghua He**, Guangdong (CN);
Guozhu Feng, Guangdong (CN);
Xinliang Ouyang, Guangdong (CN)
(73) Assignee: **ZHONGSHAN EKAR UPING HOUSEWARE CO., LTD.**, Guangdong (CN)

8,998,011 B2 * 4/2015 Zhu A47B 87/0292
220/6
9,456,580 B2 * 10/2016 Ma A01K 1/0035
9,485,957 B2 * 11/2016 Kellogg A01K 1/034
D900,409 S * 10/2020 Huthmaker D30/119
D930,277 S * 9/2021 Huthmaker D30/119
(Continued)

FOREIGN PATENT DOCUMENTS

CN 306995418 * 12/2021

OTHER PUBLICATIONS

Incredible Modern Dog Pens, announced in YouTube on Mar. 6, 2019 [online], [site visited Feb. 11, 2022], Available from the internet URL: <https://www.youtube.com/watch?v=M4PTofLfGso> (Year: 2019).*

(Continued)

(**) Term: **15 Years**
(21) Appl. No.: **29/753,600**
(22) Filed: **Oct. 1, 2020**
(30) **Foreign Application Priority Data**
Apr. 23, 2020 (CN) 202030170832.4

Primary Examiner — Jennifer L Rempfer
(74) *Attorney, Agent, or Firm* — Dickinson Wright PLLC; Andrew D. Dorisio

(51) **LOC (13) Cl.** **30-02**
(52) **U.S. Cl.**
USPC **D30/114**
(58) **Field of Classification Search**
USPC D30/108, 109, 110, 111, 112, 113, 114,
D30/115, 116, 117, 118, 119, 120, 160,
D30/161
CPC .. A01K 1/0107; A01K 1/0236; A01K 1/0272;
A01K 1/029; A01K 1/033; A01K 1/034;
A01K 1/035; A01K 1/0035; A01K 31/06;
A01K 31/07; A01K 31/08
See application file for complete search history.

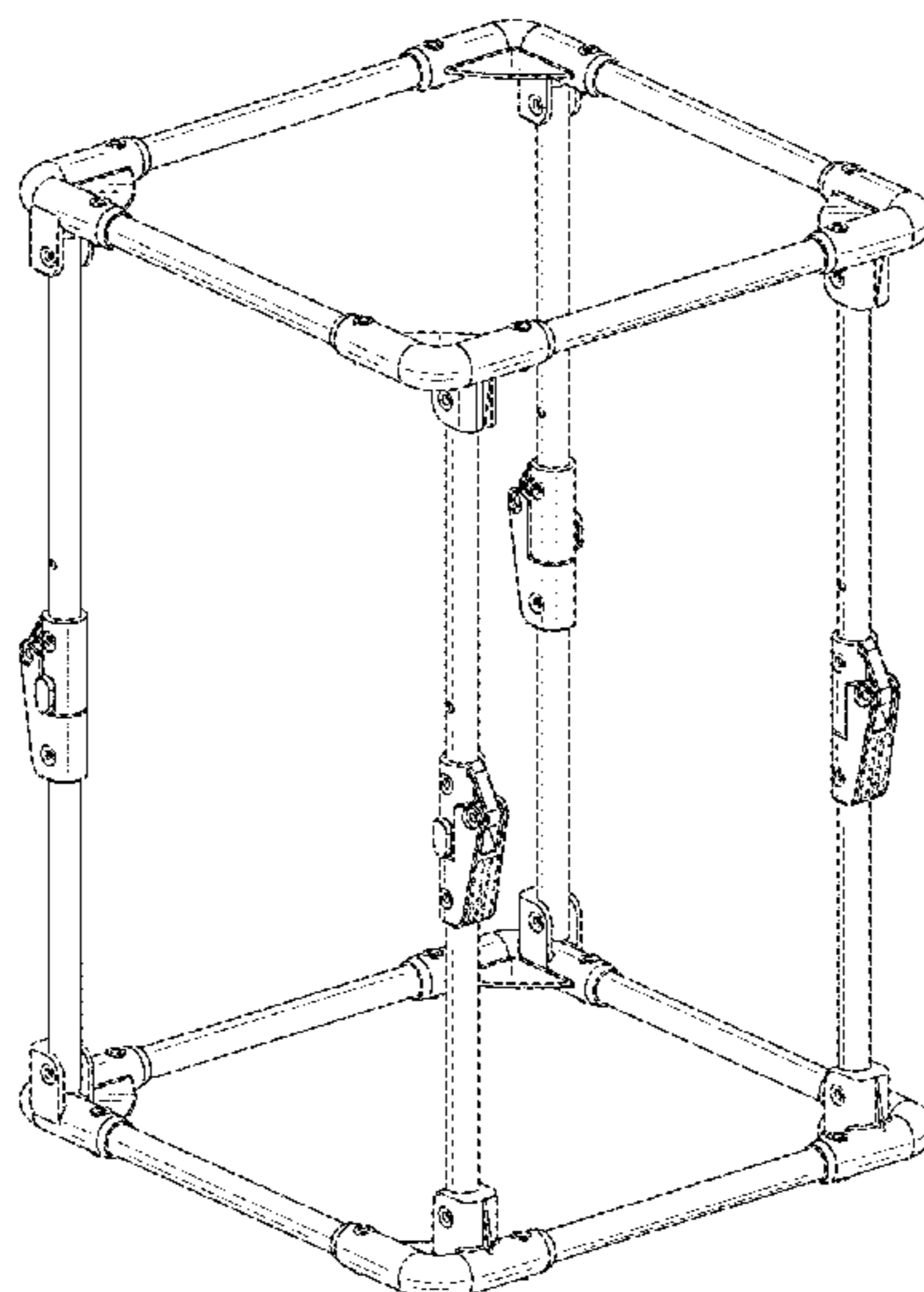
(57) **CLAIM**
The ornamental design for a foldable pet cage frame, as shown and described.

DESCRIPTION

FIG. 1 is a top perspective view of the foldable pet cage frame of our new design;
FIG. 2 is a bottom perspective view thereof;
FIG. 3 is a front elevational view thereof;
FIG. 4 is a rear elevational view thereof;
FIG. 5 is a left-side elevational view thereof;
FIG. 6 is a right-side elevational view thereof;
FIG. 7 is a top plan view thereof; and,
FIG. 8 is a bottom plan view thereof.
The broken lines shown in the drawings are for the purpose of illustrating portions of the foldable pet cage frame that form no part of the claimed design.

(56) **References Cited**
U.S. PATENT DOCUMENTS
D512,799 S * 12/2005 Simpson D30/108
7,228,820 B1 * 6/2007 Kellogg A01K 1/034
119/498
8,047,391 B2 * 11/2011 Lu A01K 1/034
220/9.3

1 Claim, 8 Drawing Sheets



(56)

References Cited

U.S. PATENT DOCUMENTS

D932,113 S * 9/2021 Huthmaker D30/160
2005/0229866 A1* 10/2005 Simpson A01K 1/033
119/499
2007/0126317 A1* 6/2007 Liu A47B 43/04
312/6
2016/0014994 A1* 1/2016 Ma A01K 1/0254
119/498
2016/0057969 A1* 3/2016 Kellogg A01K 1/034
119/474
2019/0208741 A1* 7/2019 Huthmaker F16B 5/121
2019/0289814 A1* 9/2019 Zhuo A01K 1/03

OTHER PUBLICATIONS

Lucidium Dog Pen Assembly, announced in YouTube on May 14, 2018 [online], [site visited Feb. 11, 2022], Available from the internet URL: <https://www.youtube.com/watch?v=M7KDpXuSxJE> (Year: 2018).*

* cited by examiner

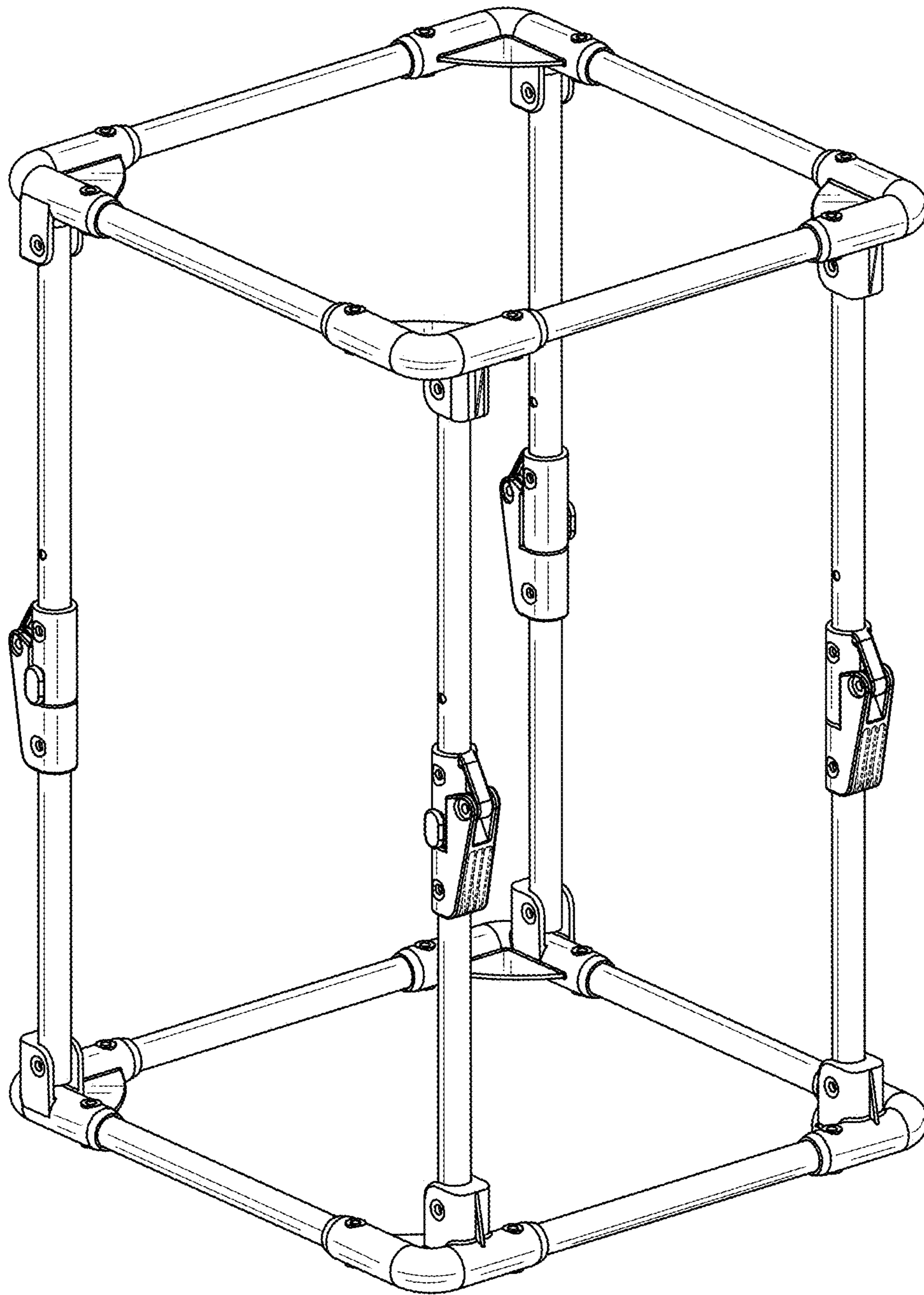


FIG. 1

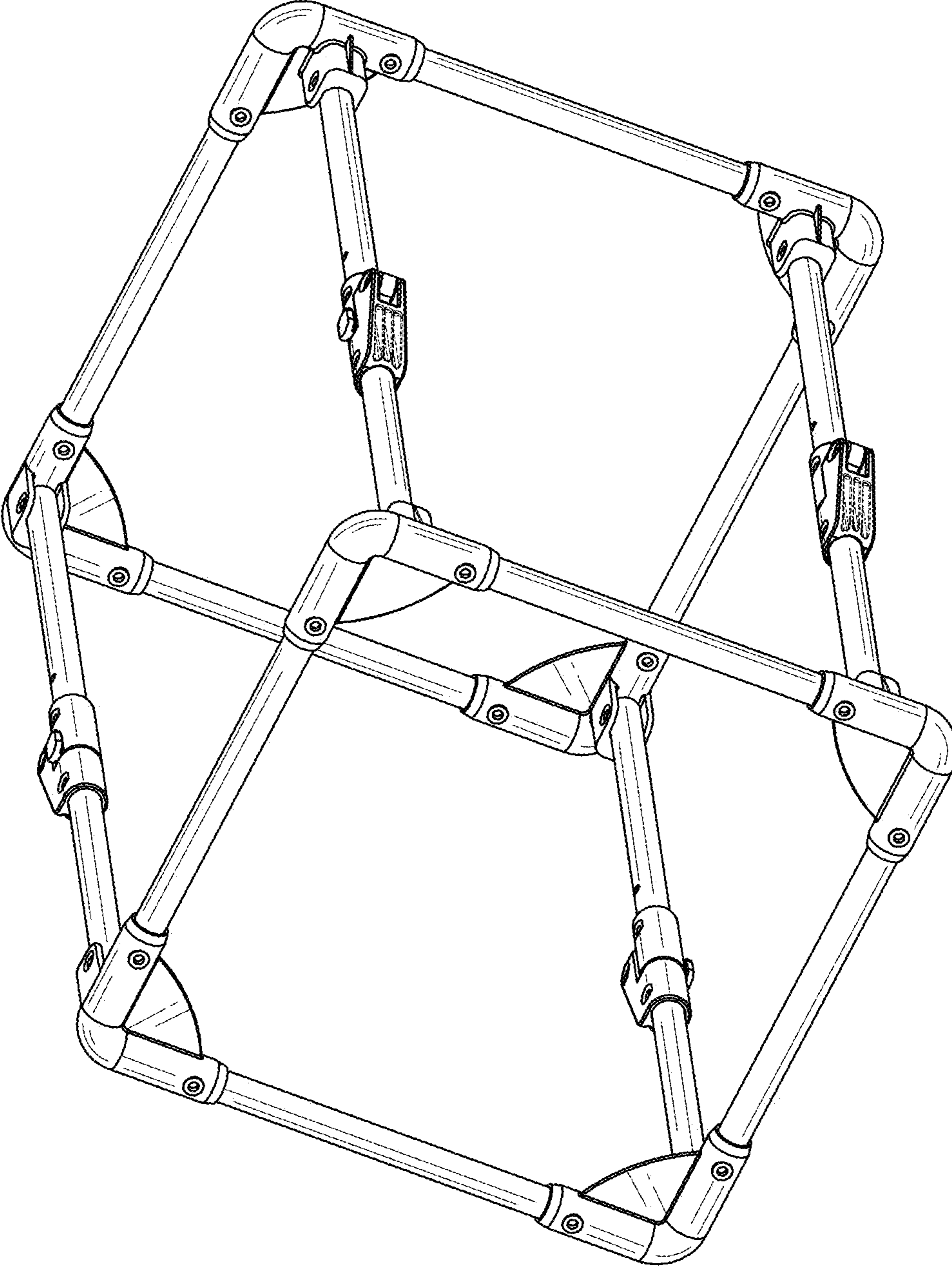


FIG. 2

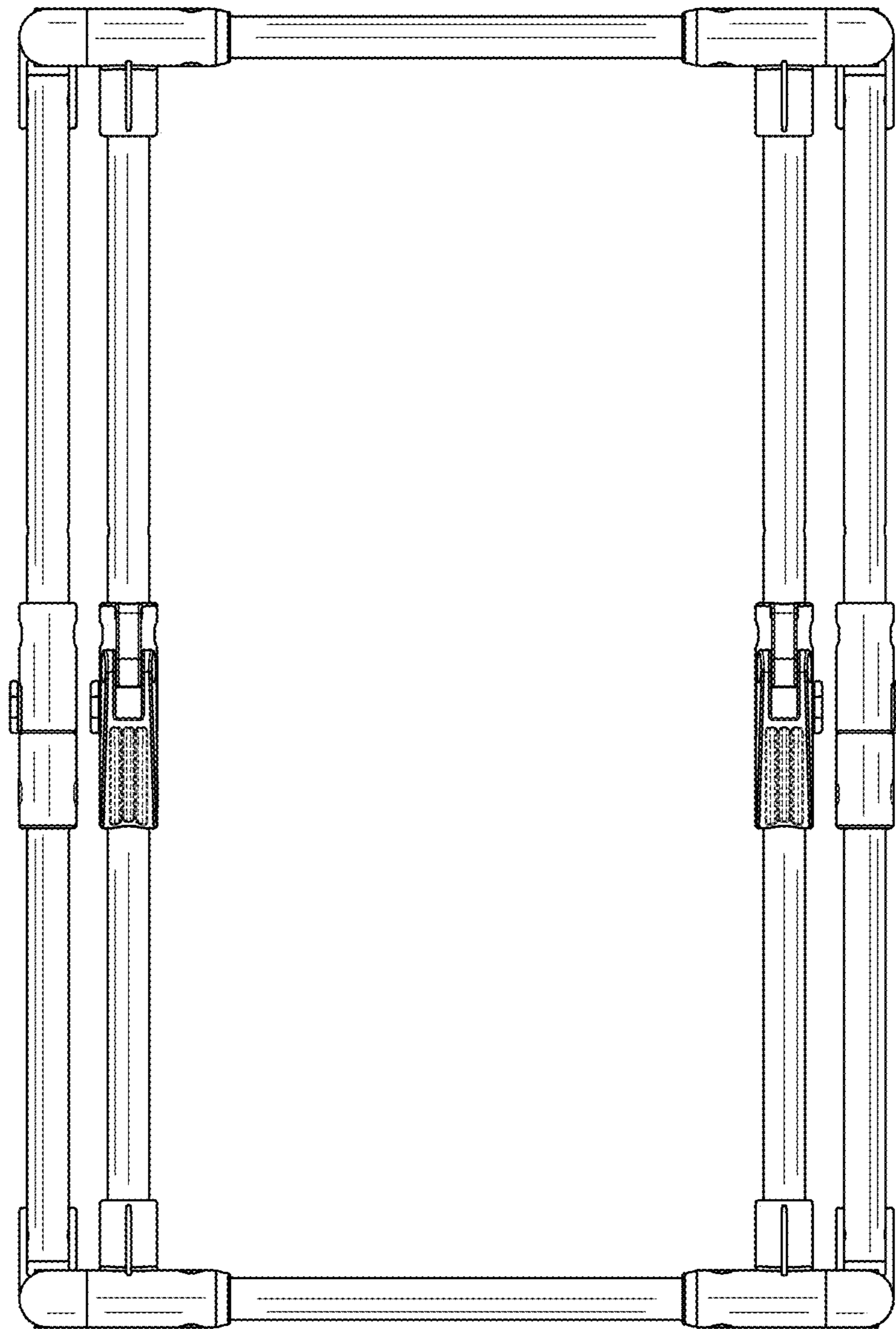


FIG. 3

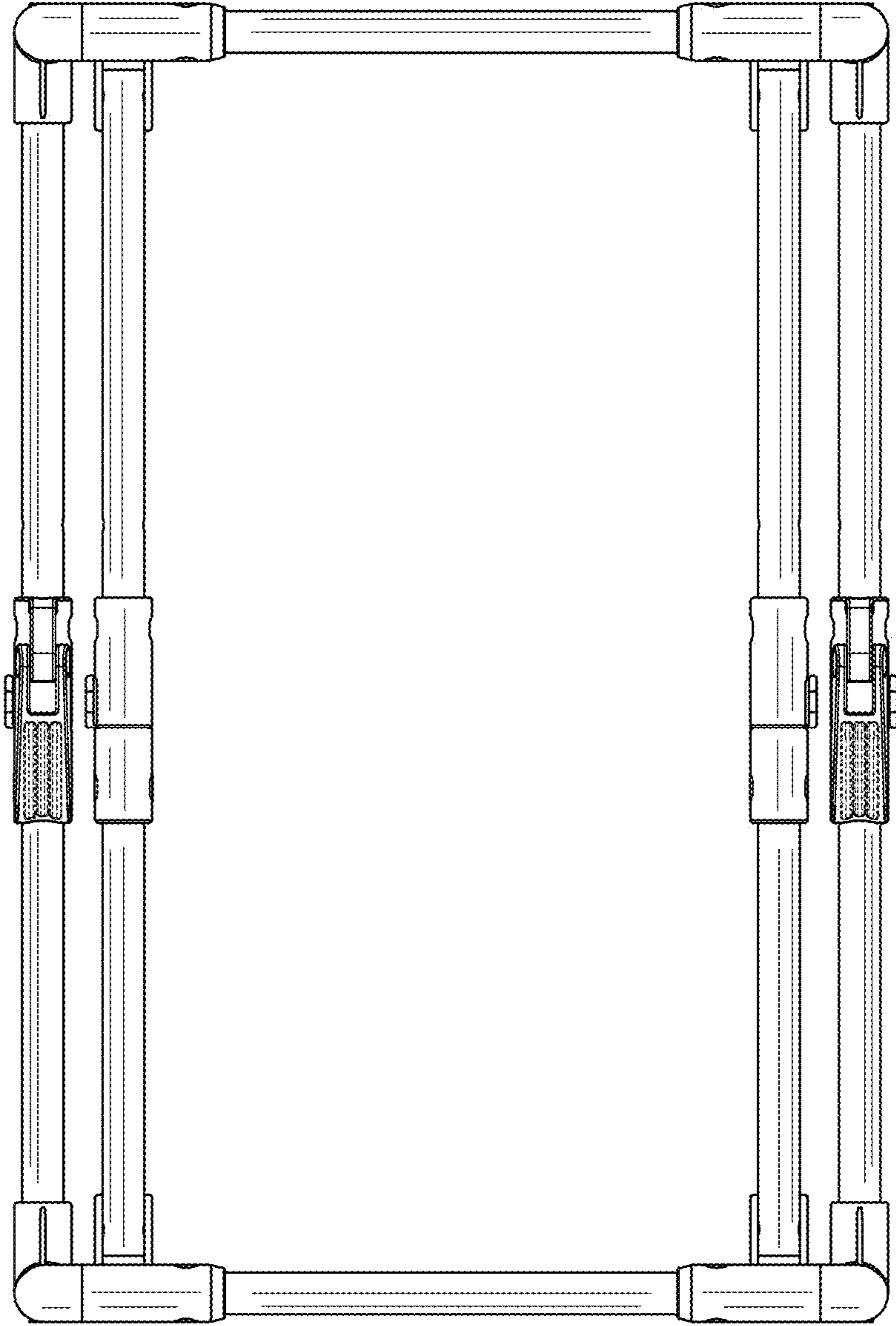


FIG. 4

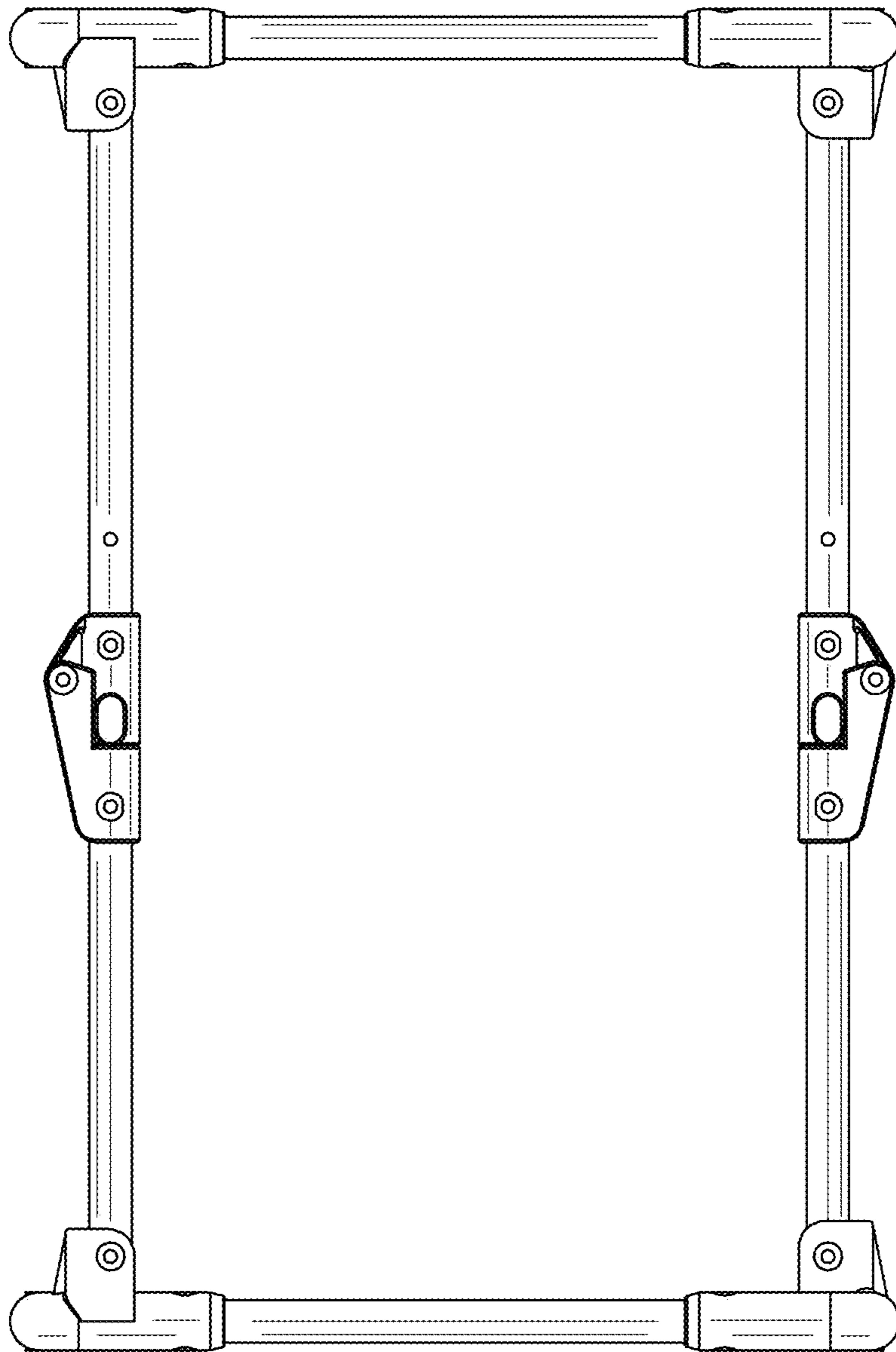


FIG. 5

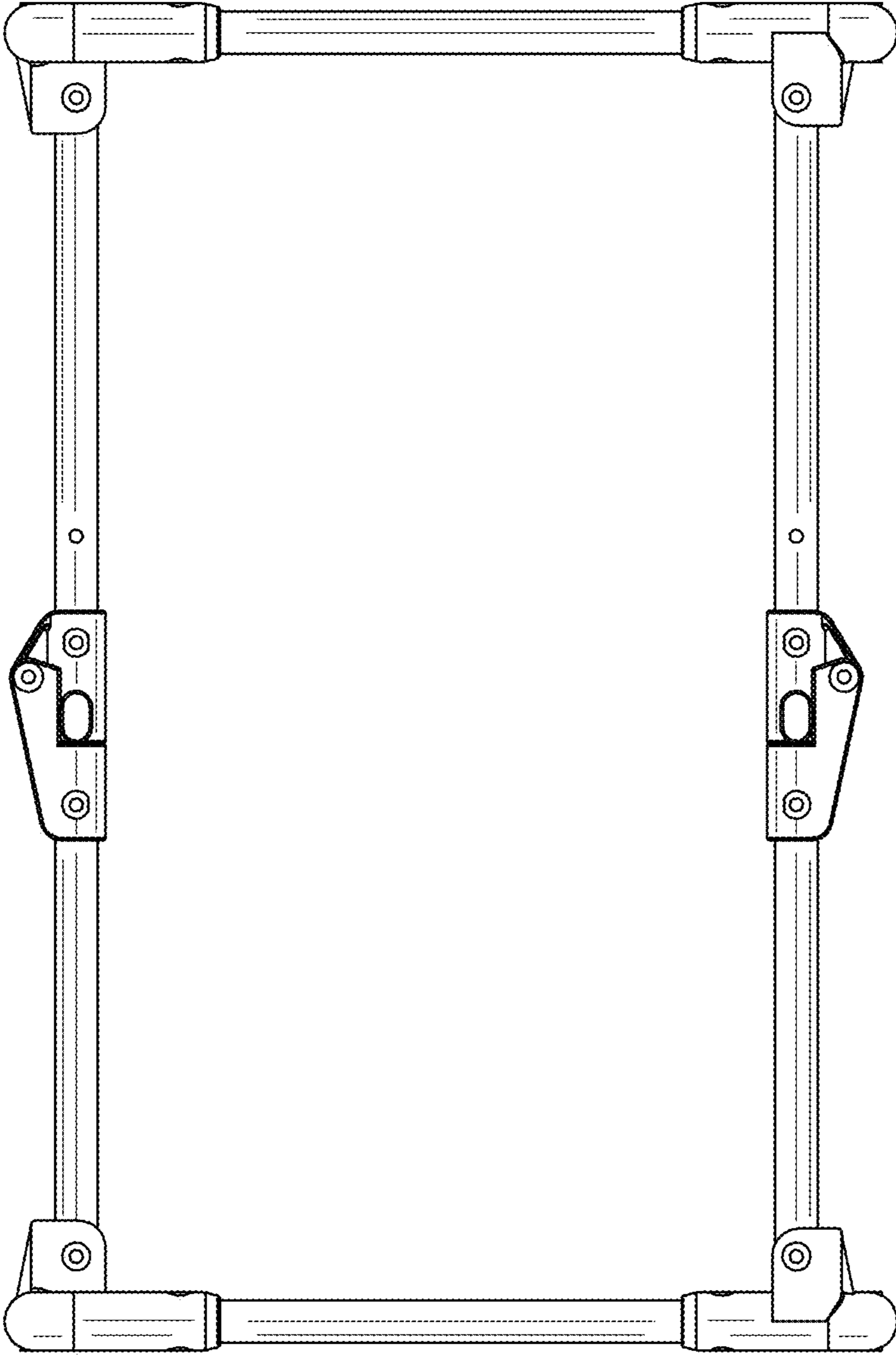


FIG. 6

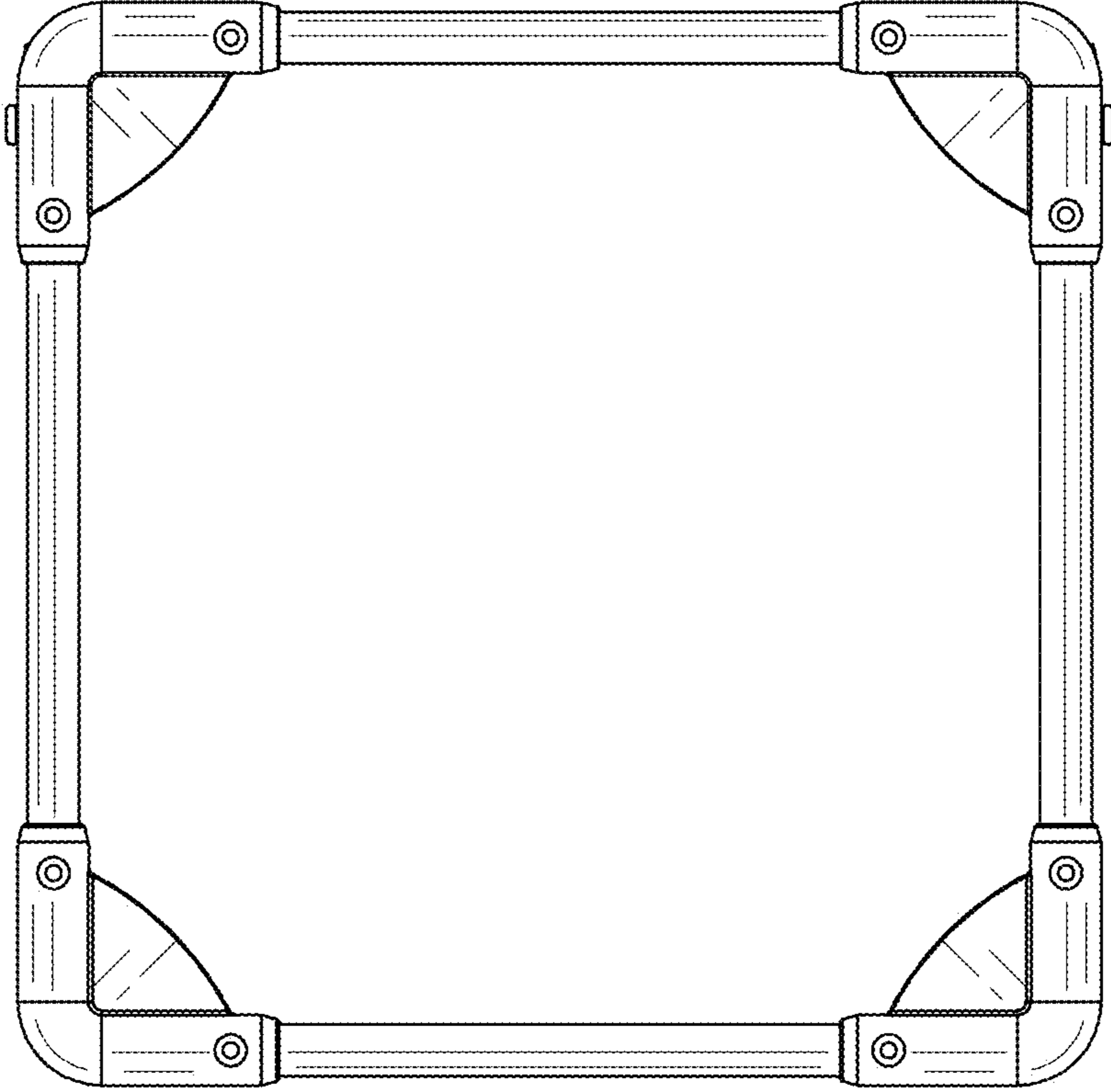


FIG. 7

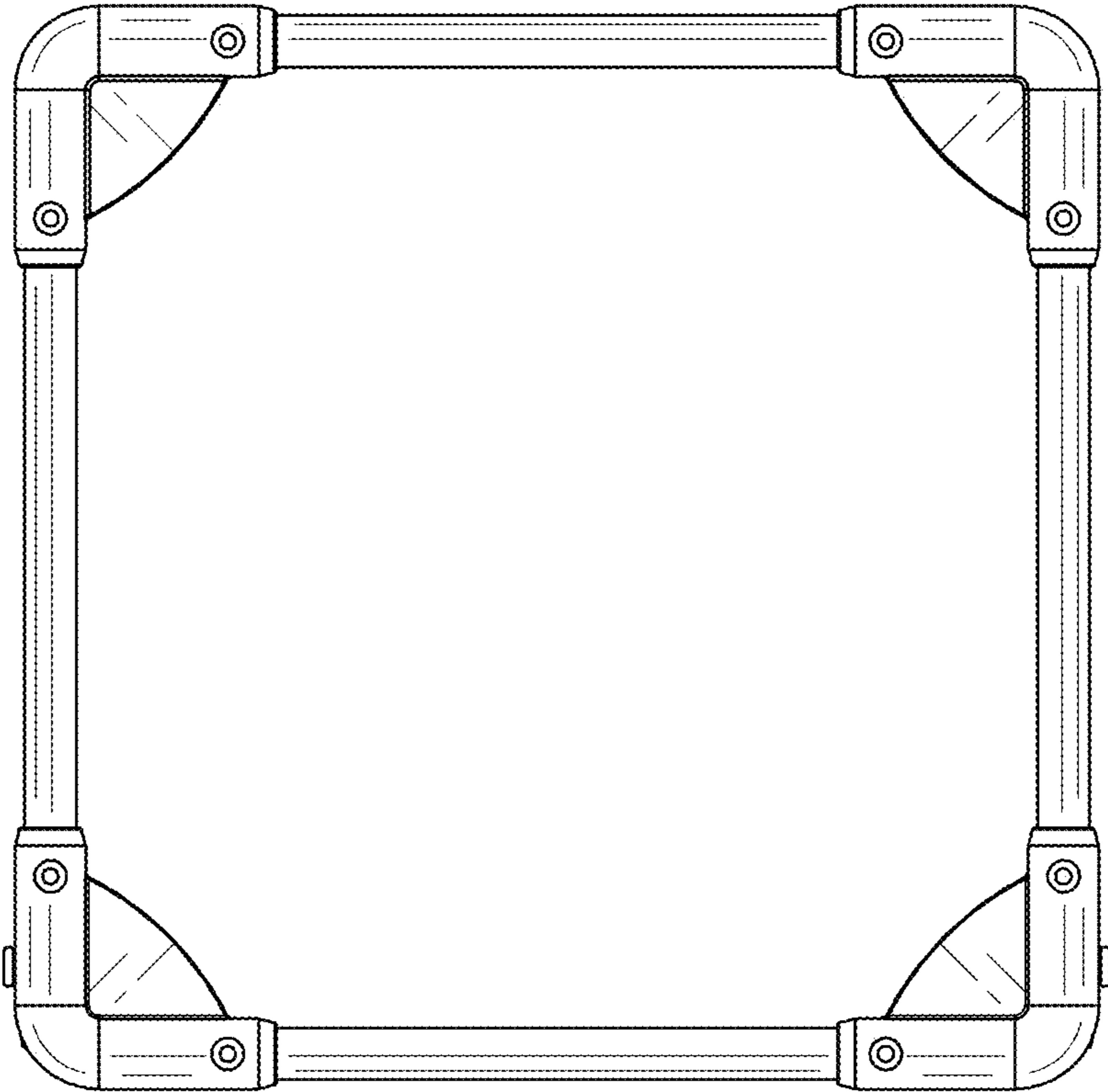


FIG. 8