



US00D953652S

(12) **United States Design Patent**  
**Blood**

(10) **Patent No.:** **US D953,652 S**

(45) **Date of Patent:** **\*\* May 31, 2022**

(54) **PET CARRIER**

(71) Applicant: **Garrett Blood**, Lehi, UT (US)

(72) Inventor: **Garrett Blood**, Lehi, UT (US)

(\*\*) Term: **15 Years**

(21) Appl. No.: **29/695,906**

(22) Filed: **Jun. 24, 2019**

(51) **LOC (13) Cl.** ..... **30-02**

(52) **U.S. Cl.**  
USPC ..... **D30/108**

(58) **Field of Classification Search**  
USPC ..... D30/108-120; D3/304; D9/430  
CPC ... A01K 1/00; A01K 1/02; A01K 1/03; A01K  
1/033; A01K 1/034; A01K 1/035; A01K  
1/0254; A01K 1/011; A01K 1/0107;  
A01K 1/0125; A01K 1/0121  
See application file for complete search history.

(56) **References Cited**

**U.S. PATENT DOCUMENTS**

- D245,348 S \* 8/1977 Haviland ..... D30/114
- D321,068 S \* 10/1991 Shantz ..... D30/108
- D467,041 S \* 12/2002 Cortes-Reuter ..... D30/109
- 6,539,895 B2 \* 4/2003 Hoagland ..... A01K 1/0245  
119/453
- D584,458 S \* 1/2009 You ..... D30/109

- D650,533 S \* 12/2011 Reick ..... D30/108
- D701,652 S \* 3/2014 Roberts ..... D30/108
- D743,117 S \* 11/2015 Shibata ..... D30/161
- D749,802 S \* 2/2016 Crane ..... D30/160
- D837,314 S \* 1/2019 Peng ..... D21/712
- D870,986 S \* 12/2019 Wilhelm ..... D30/160

\* cited by examiner

*Primary Examiner* — Sheryl Lane  
*Assistant Examiner* — Aula Soroush

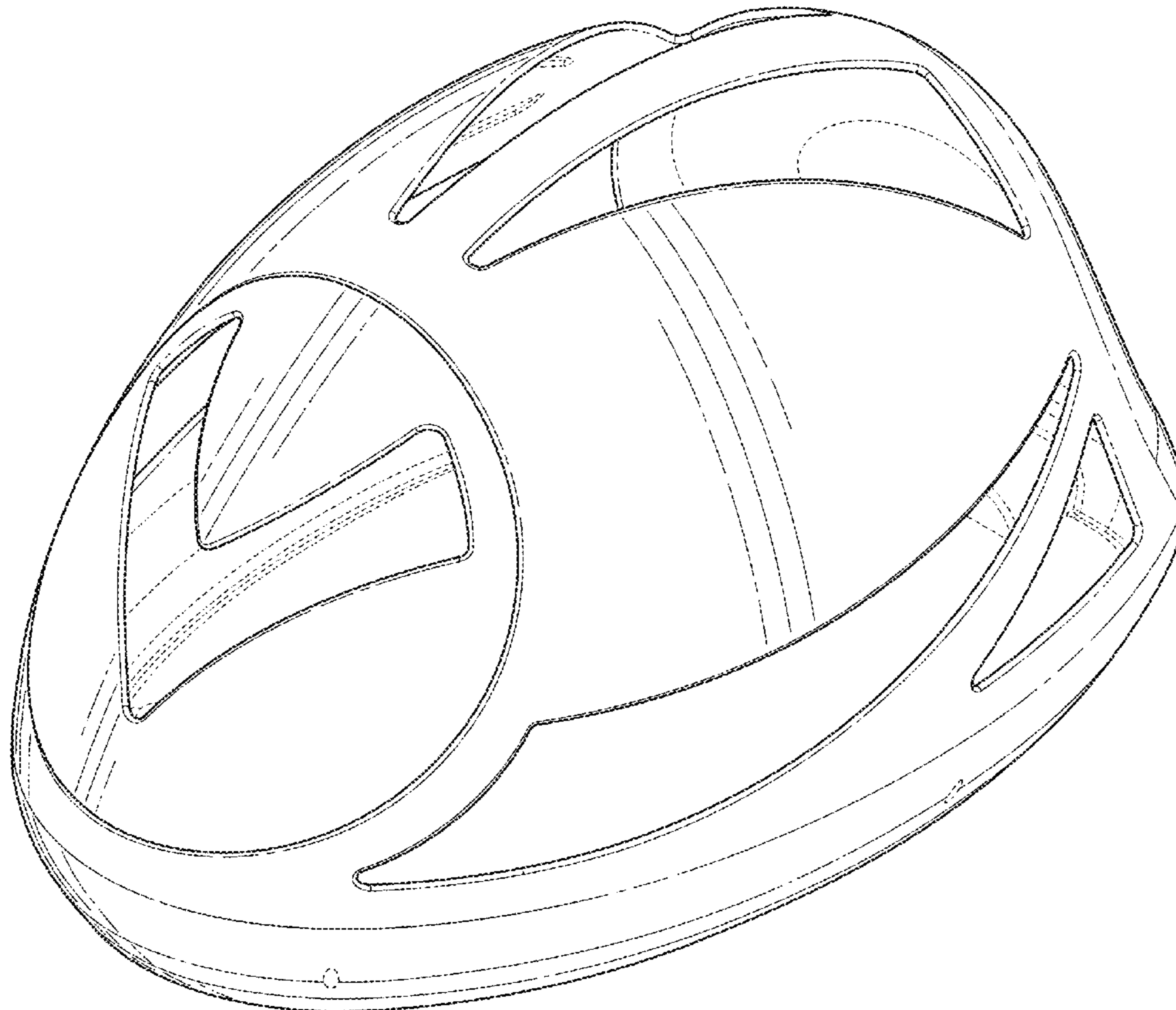
(57) **CLAIM**

The ornamental design for a pet carrier, as shown and described.

**DESCRIPTION**

FIG. 1 is a front perspective view of a pet carrier showing my new design;  
FIG. 2 is a front elevation view thereof;  
FIG. 3 is a rear elevation view thereof;  
FIG. 4 is a left side elevation view thereof;  
FIG. 5 is a right side elevation view thereof;  
FIG. 6 is a top plan view thereof; and,  
FIG. 7 is a bottom plan view thereof.  
The broken lines in the drawings illustrate portions of the pet carrier that form no part of the claimed design.

**1 Claim, 7 Drawing Sheets**



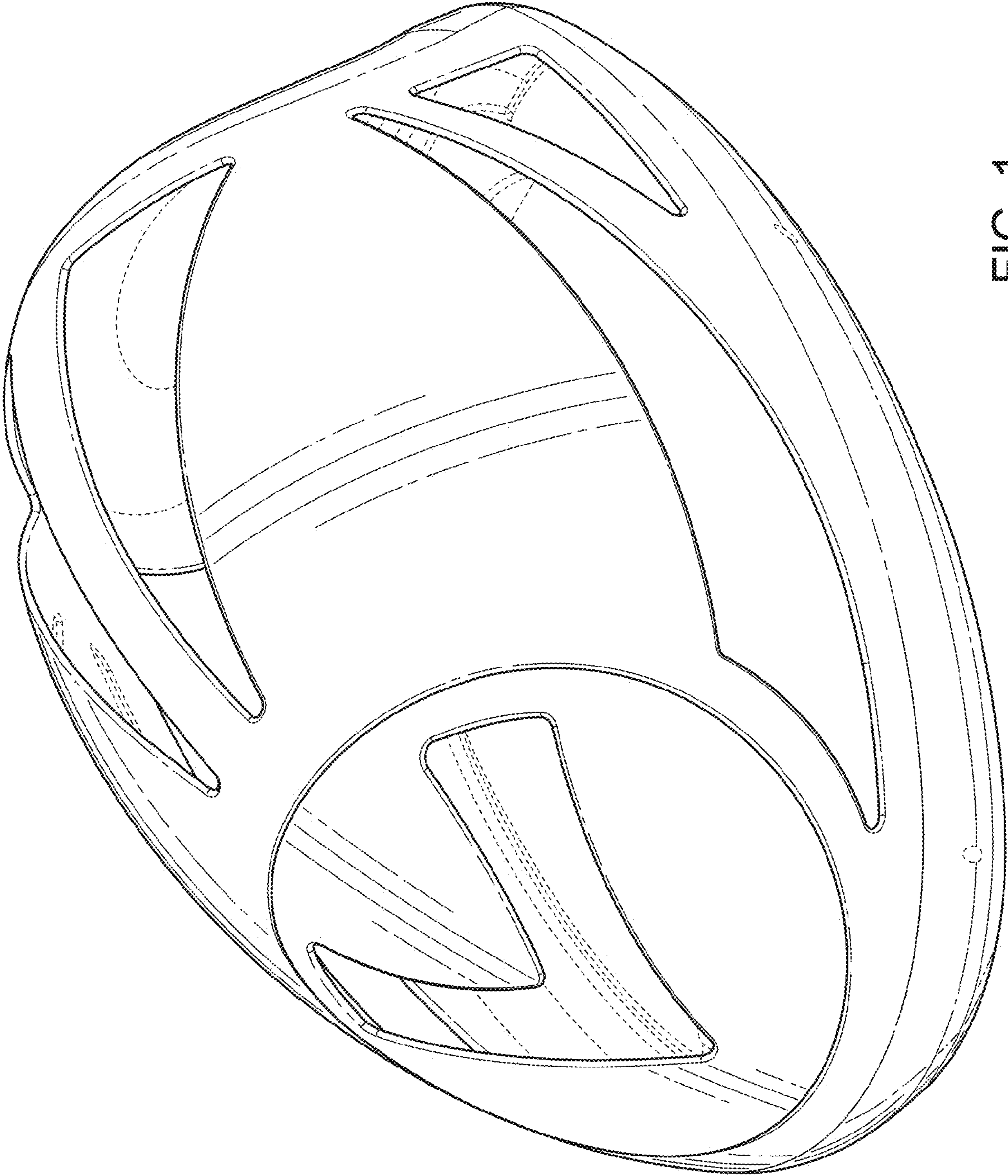


FIG. 1

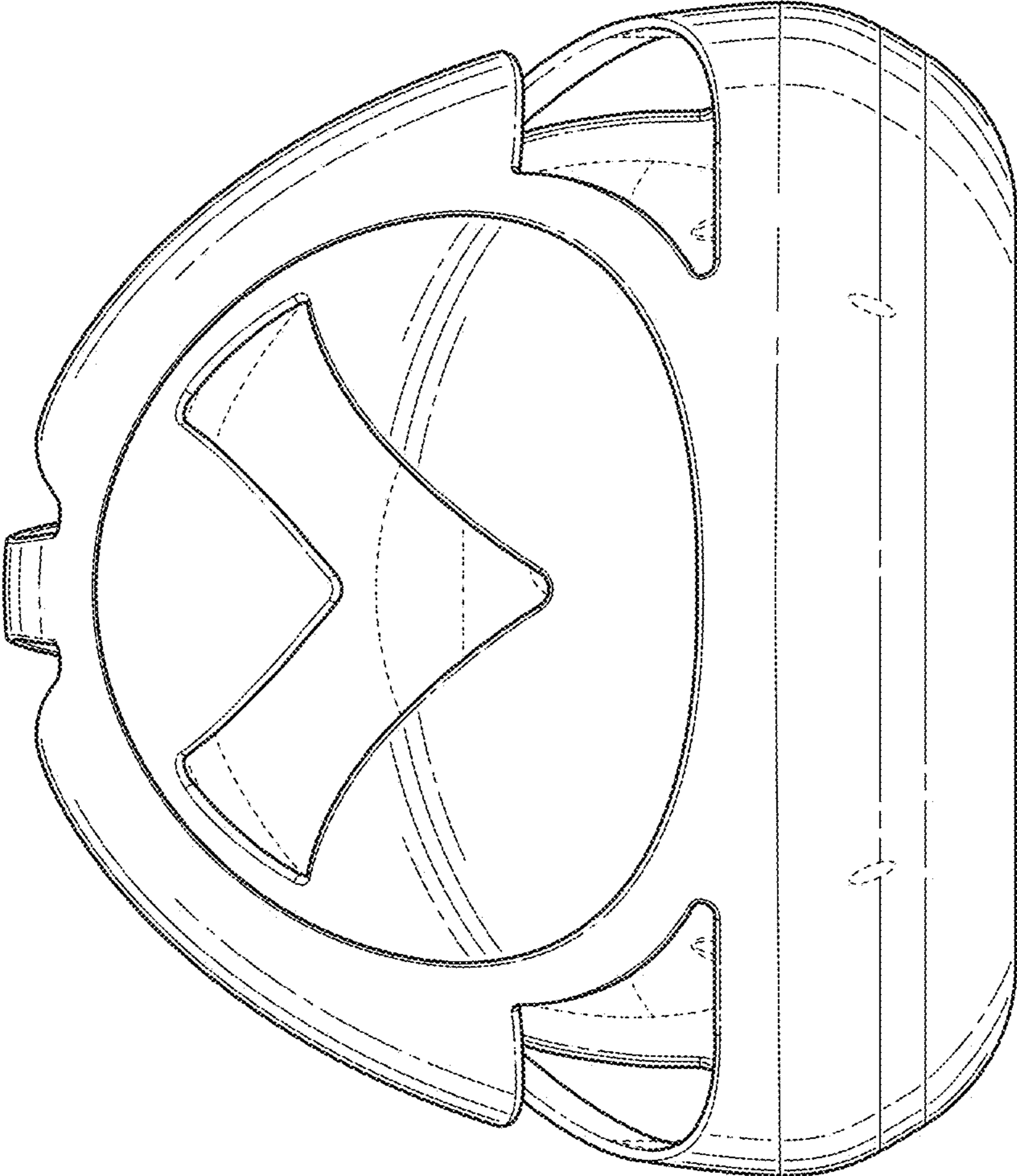


FIG. 2

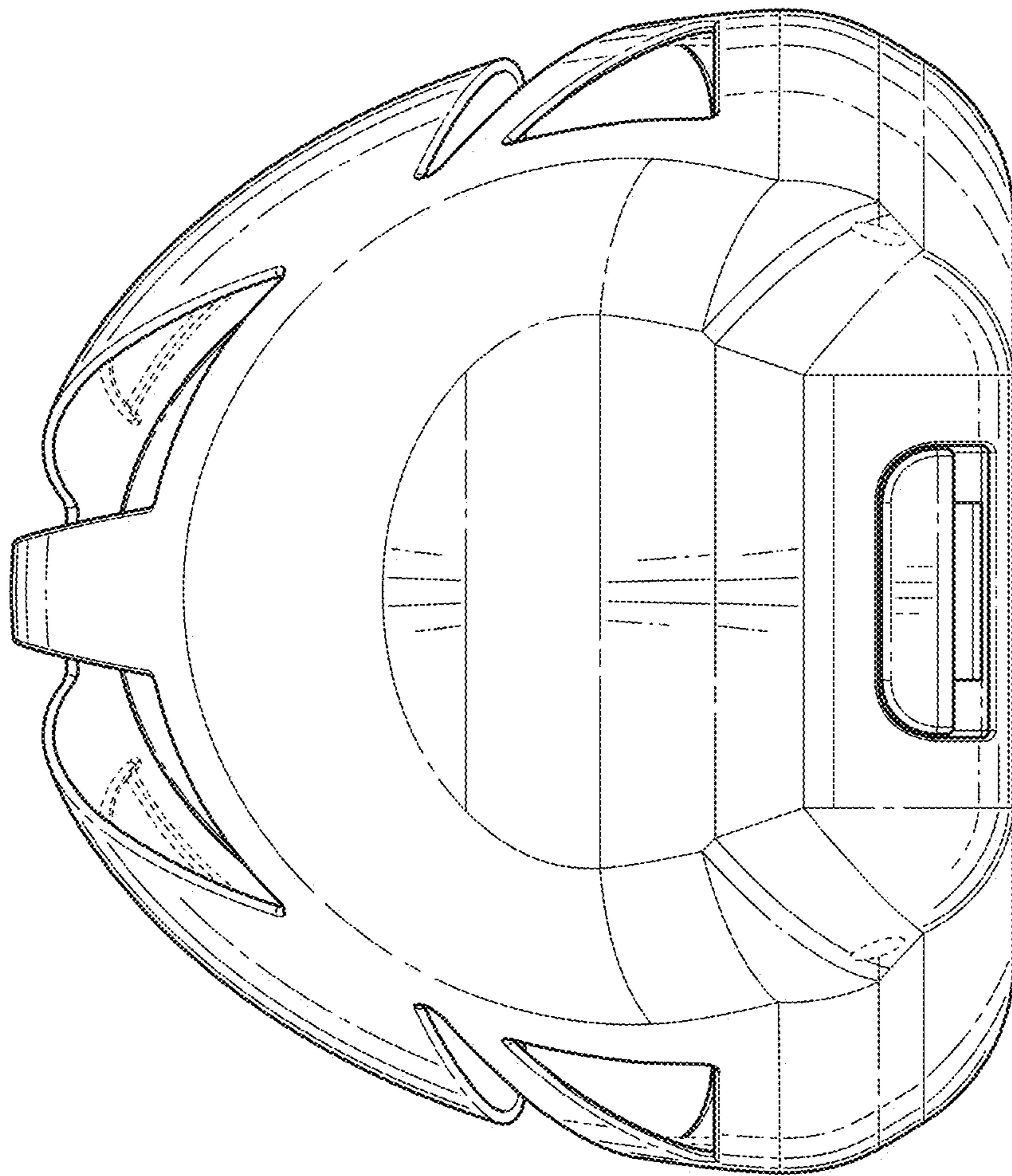


FIG. 3

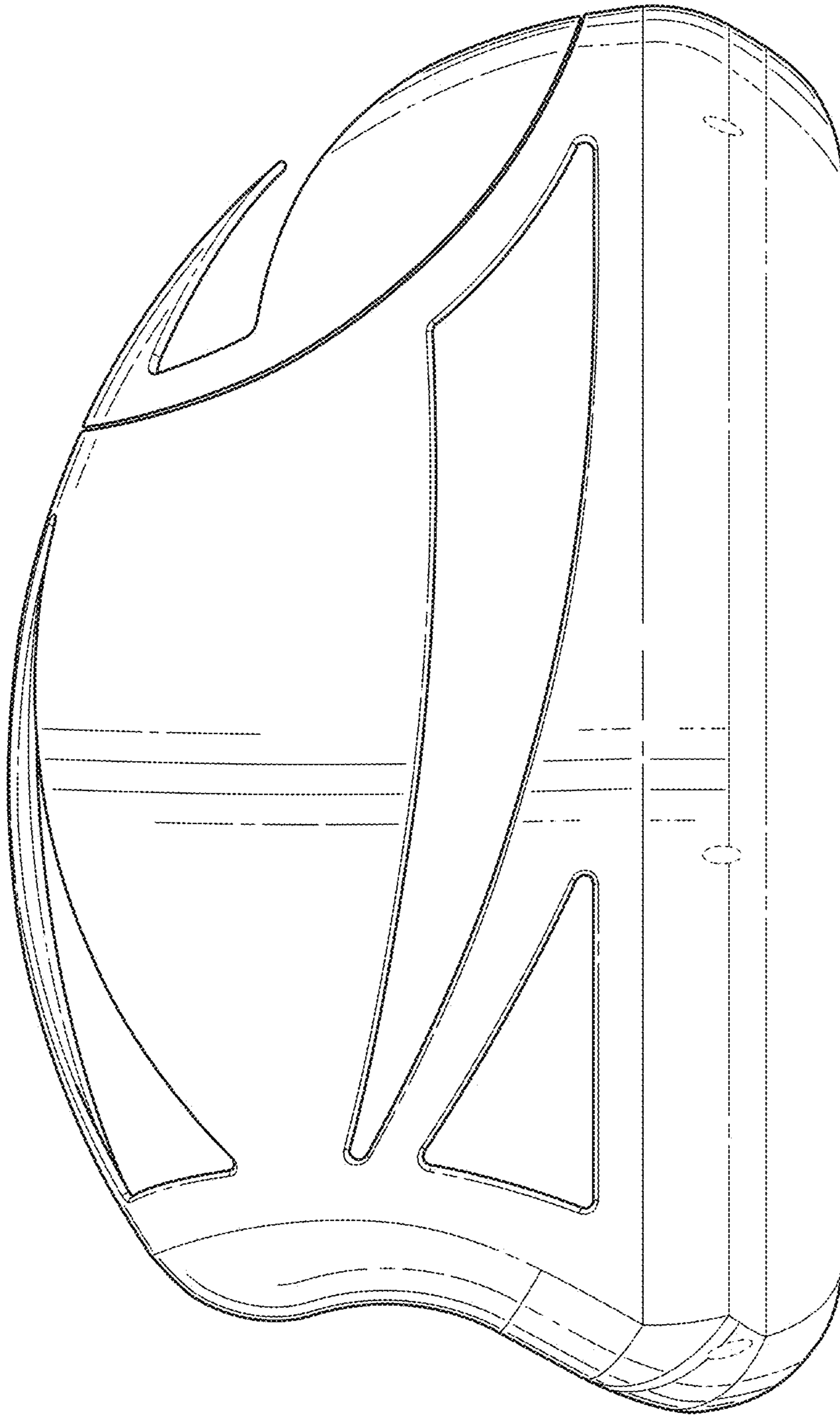


FIG. 4

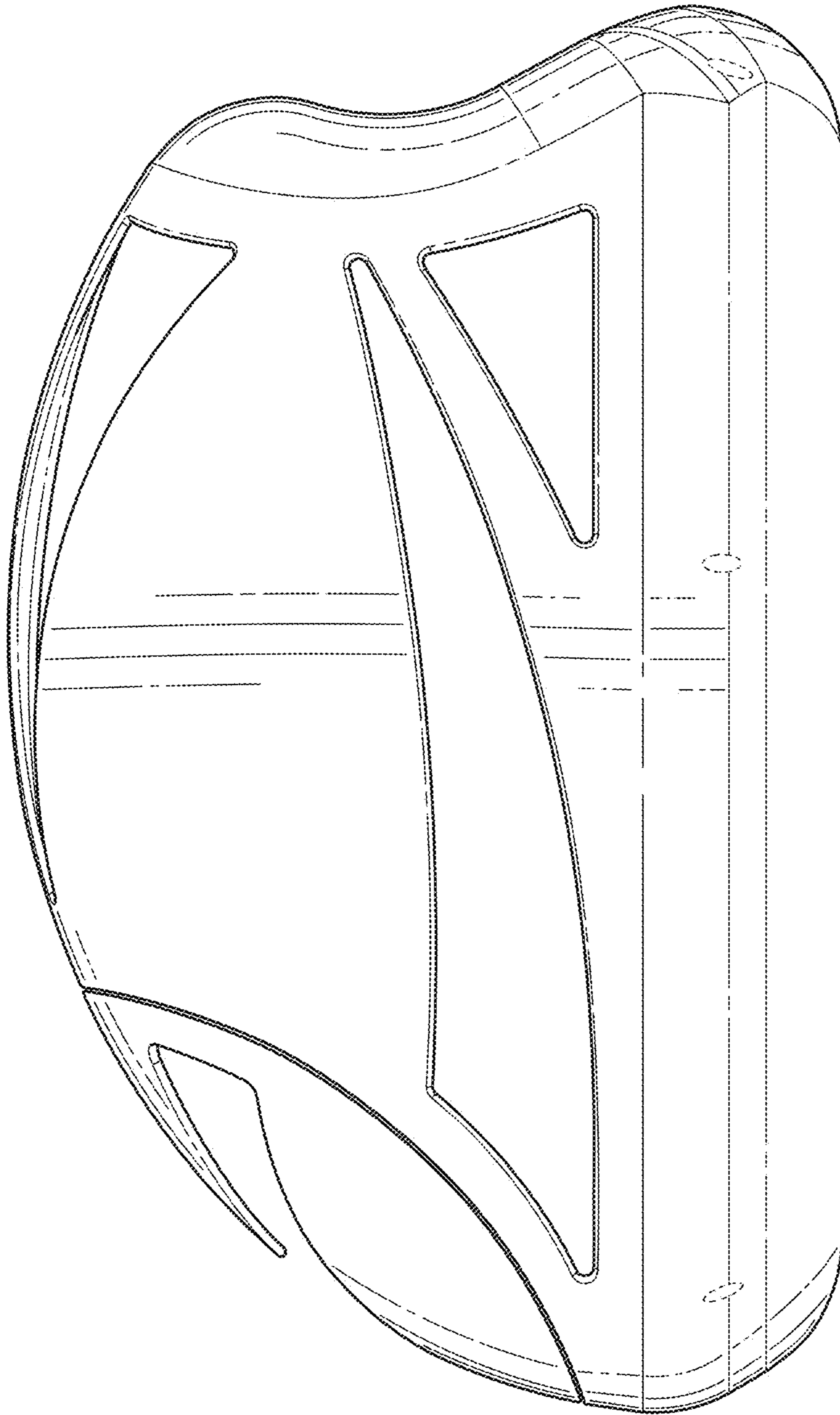


FIG. 5

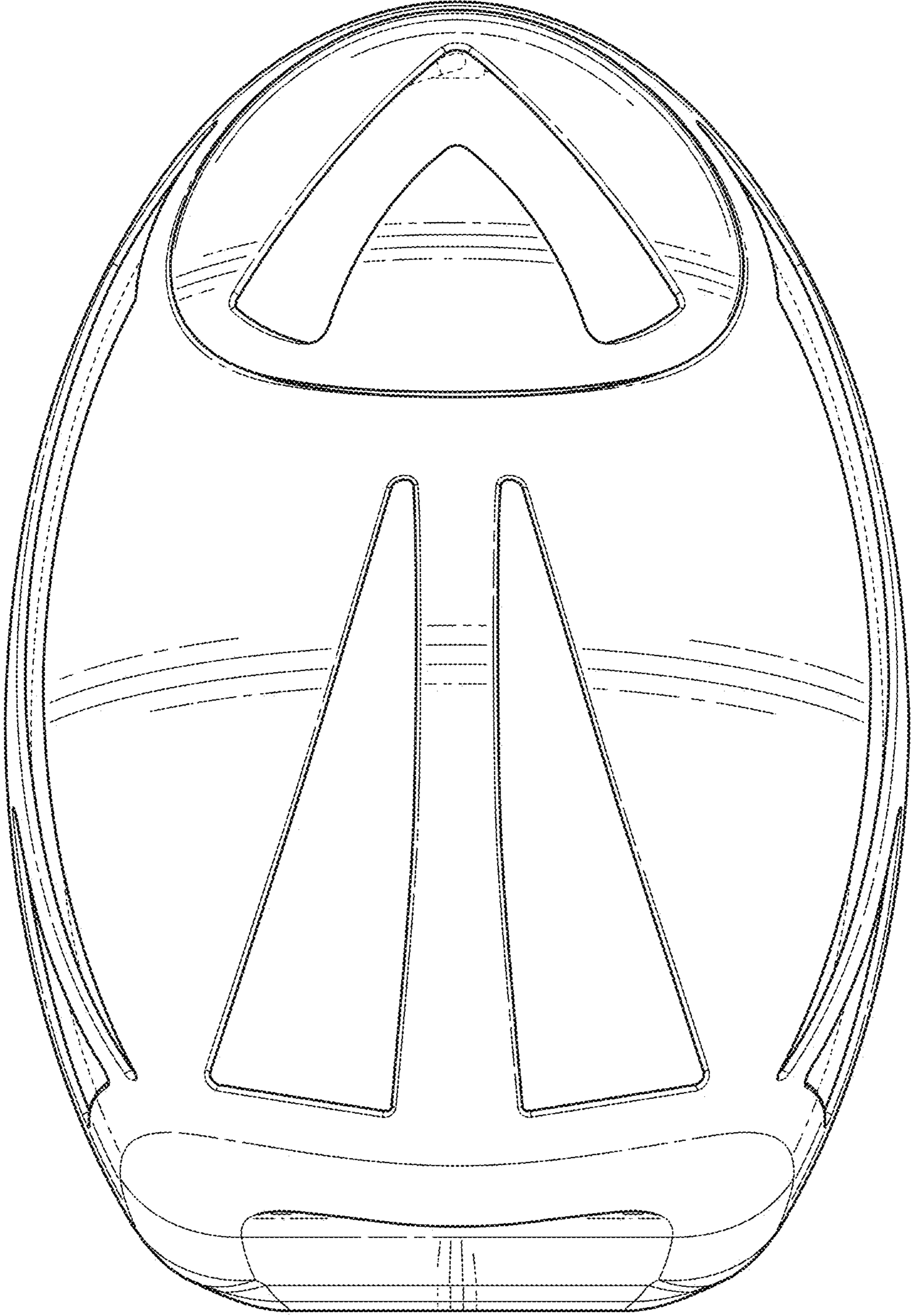


FIG. 6

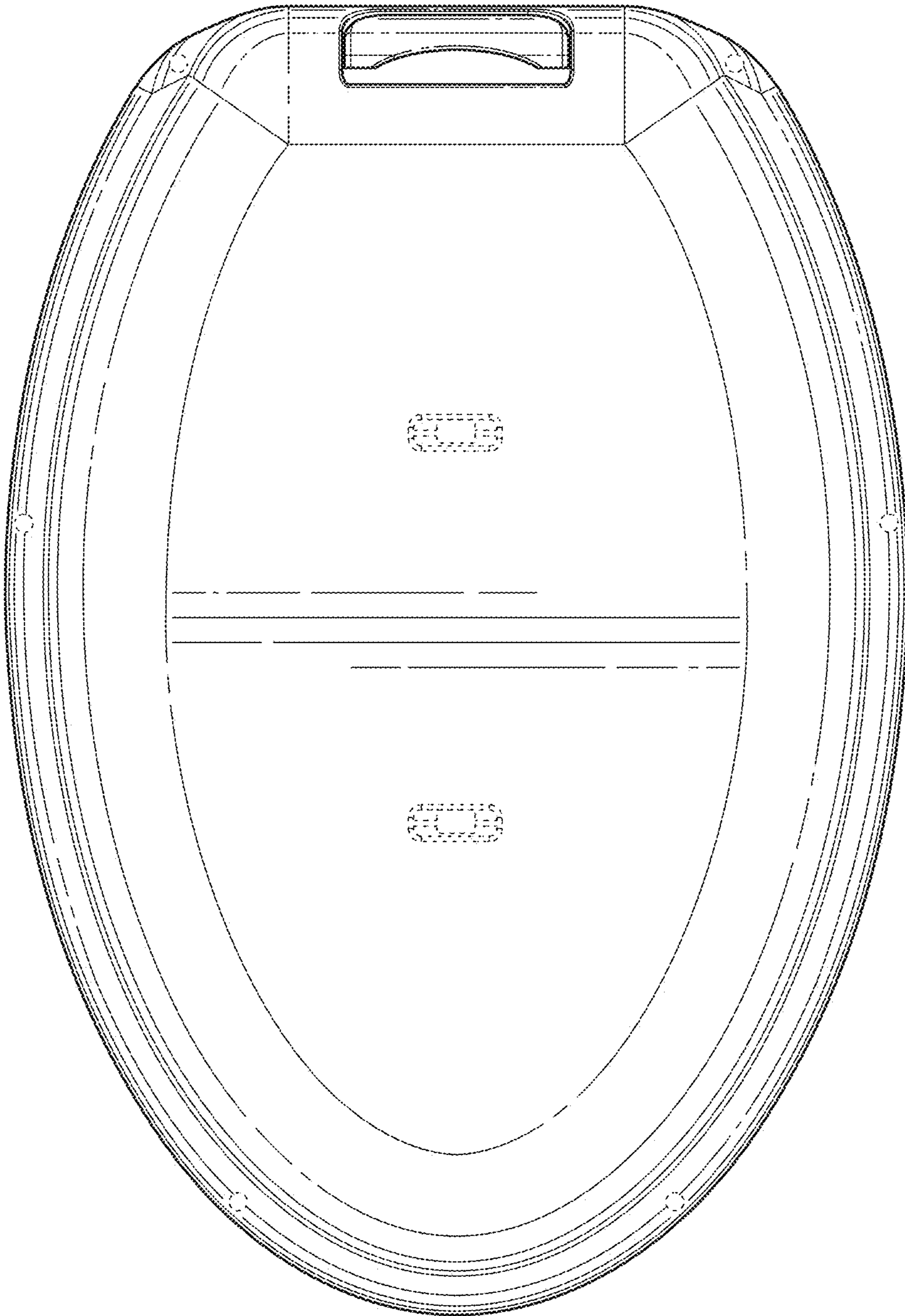


FIG. 7