



US00D953651S

(12) **United States Design Patent**
Wang

(10) **Patent No.:** **US D953,651 S**

(45) **Date of Patent:** **** May 31, 2022**

(54) **SMART FISH TANK**
(71) Applicant: **Ting Wang**, Guangdong (CN)
(72) Inventor: **Ting Wang**, Guangdong (CN)
(**) Term: **15 Years**
(21) Appl. No.: **29/768,677**

D693,520 S * 11/2013 Xu D30/104
D693,521 S * 11/2013 Xu D30/104
8,727,554 B2 * 5/2014 Blake A01K 63/06
362/101
9,155,288 B1 * 10/2015 Ting A01K 63/003
9,295,236 B2 * 3/2016 Blake A01K 63/06
9,374,987 B1 * 6/2016 Blake A01K 63/006
D789,619 S 6/2017 Xie
D796,122 S 8/2017 Wang
RE48,169 E * 8/2020 Blake A01K 63/06

* cited by examiner

(22) Filed: **Jan. 31, 2021**
(51) **LOC (13) Cl.** **30-02**
(52) **U.S. Cl.**
USPC **D30/104**
(58) **Field of Classification Search**
USPC D30/101-107; D11/144-145; D26/51,
D26/72
CPC A01K 63/00; A01K 63/003; A01K 63/06
See application file for complete search history.

Primary Examiner — Wan Laymon

(57) **CLAIM**

The ornamental design for a smart fish tank, as shown and described.

DESCRIPTION

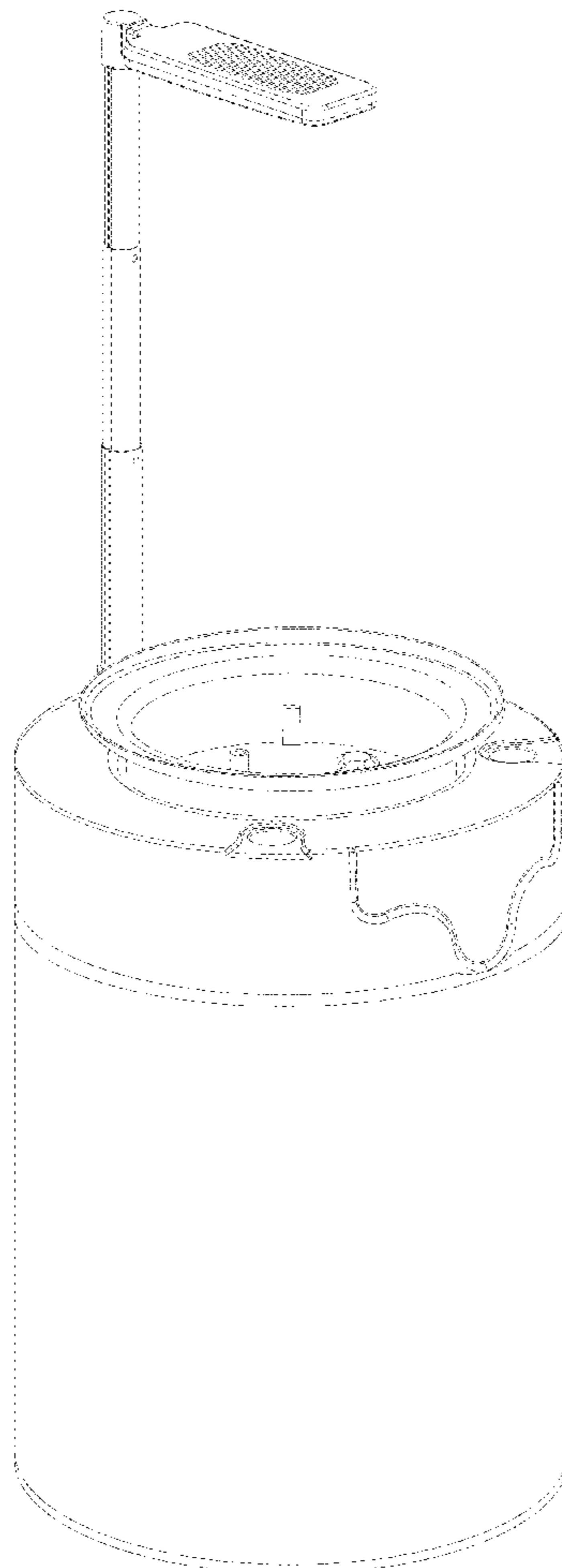
FIG. 1 is a perspective view of a smart fish tank showing my new design;
FIG. 2 is a front view thereof;
FIG. 3 is a back view thereof;
FIG. 4 is a left side view thereof;
FIG. 5 is a right side view thereof;
FIG. 6 is a top view thereof; and,
FIG. 7 is a bottom view thereof.

(56) **References Cited**

U.S. PATENT DOCUMENTS

D397,521 S * 8/1998 Gomi D30/101
8,057,060 B2 * 11/2011 Fredricks A01K 63/06
362/101
D693,519 S * 11/2013 Xu D30/104

1 Claim, 7 Drawing Sheets



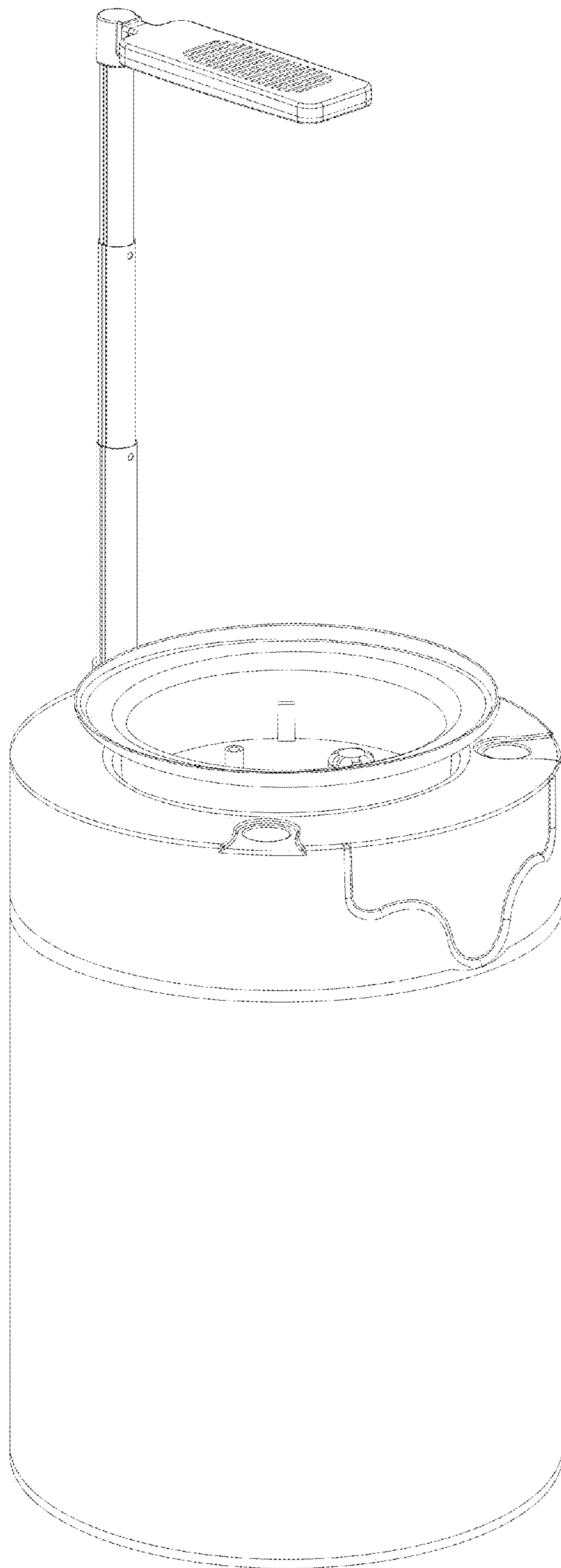


FIG. 1

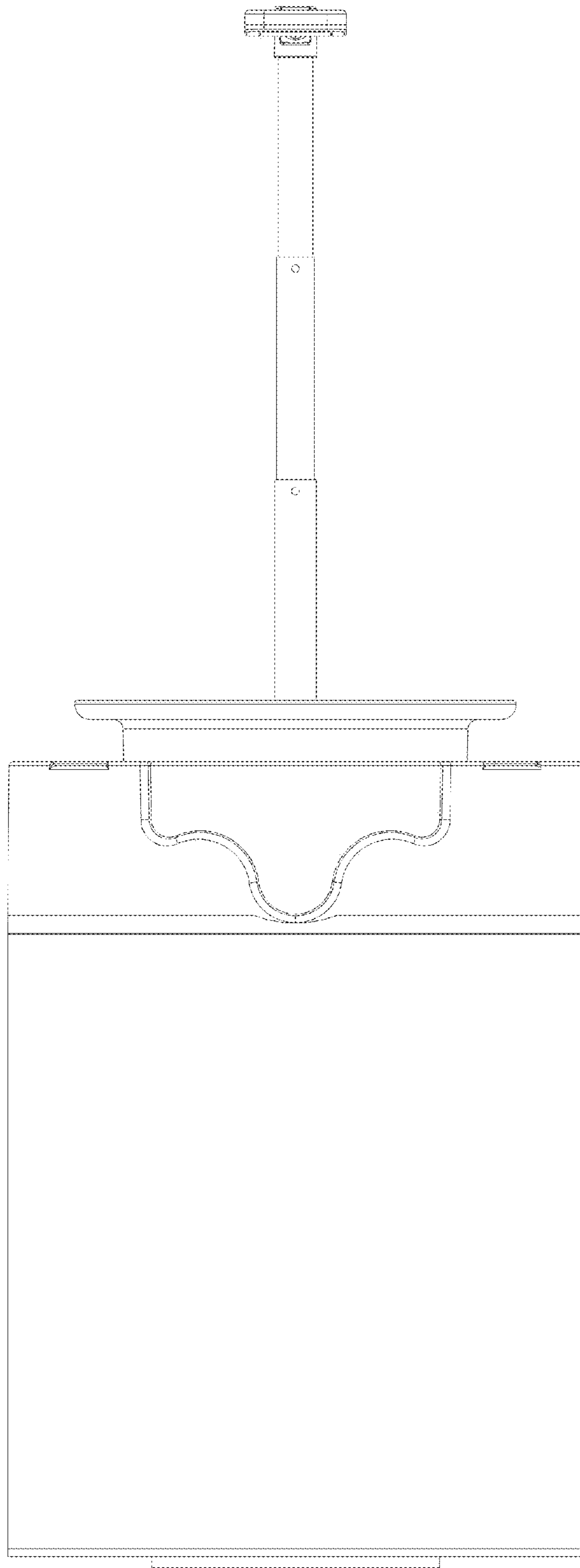


FIG. 2

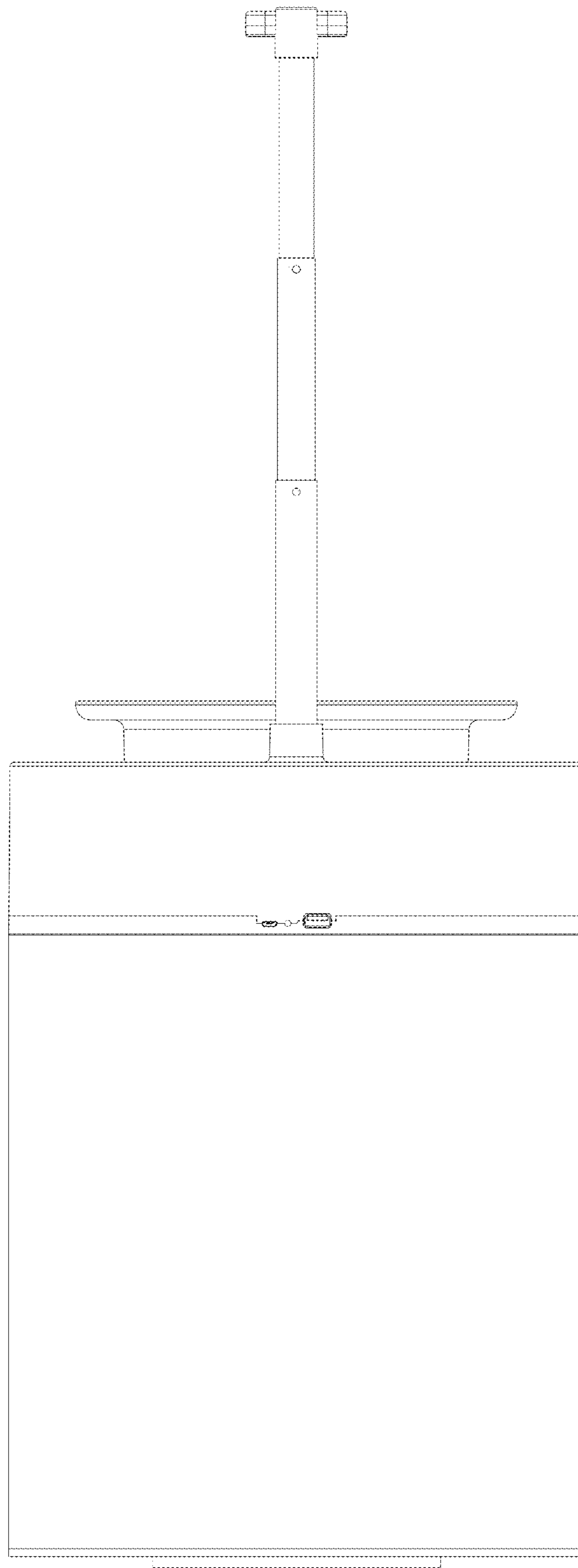


FIG. 3

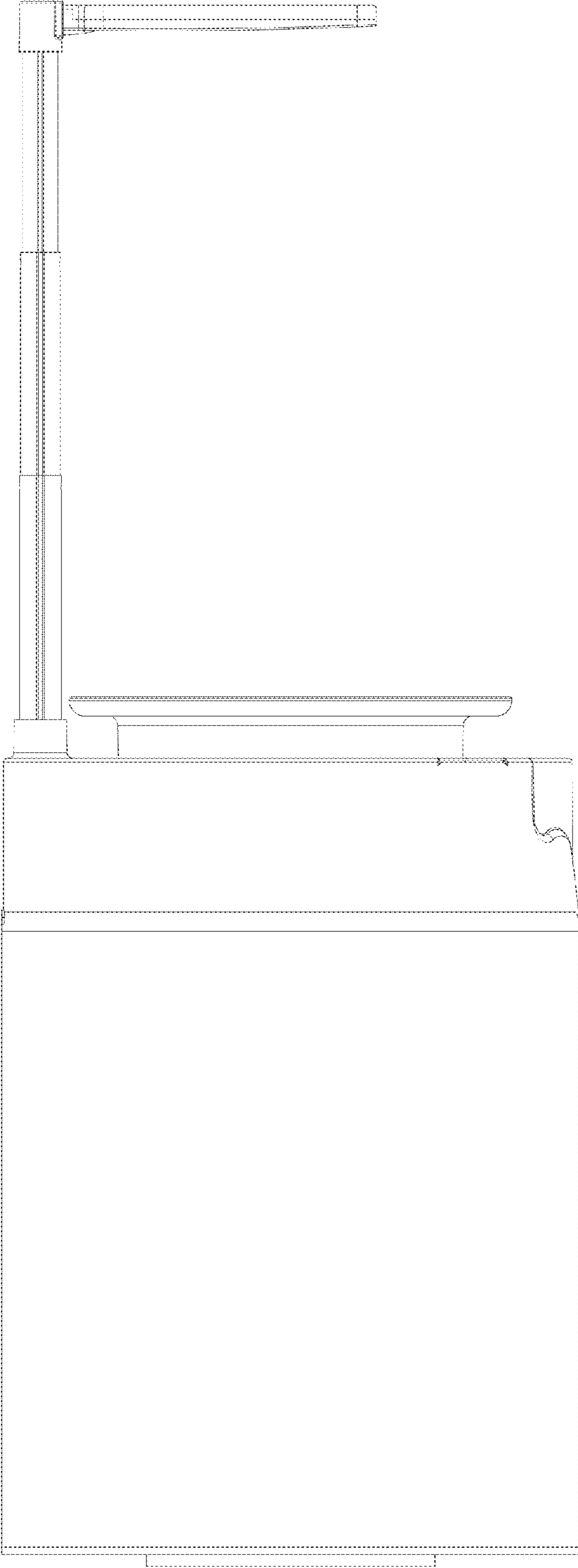


FIG. 4

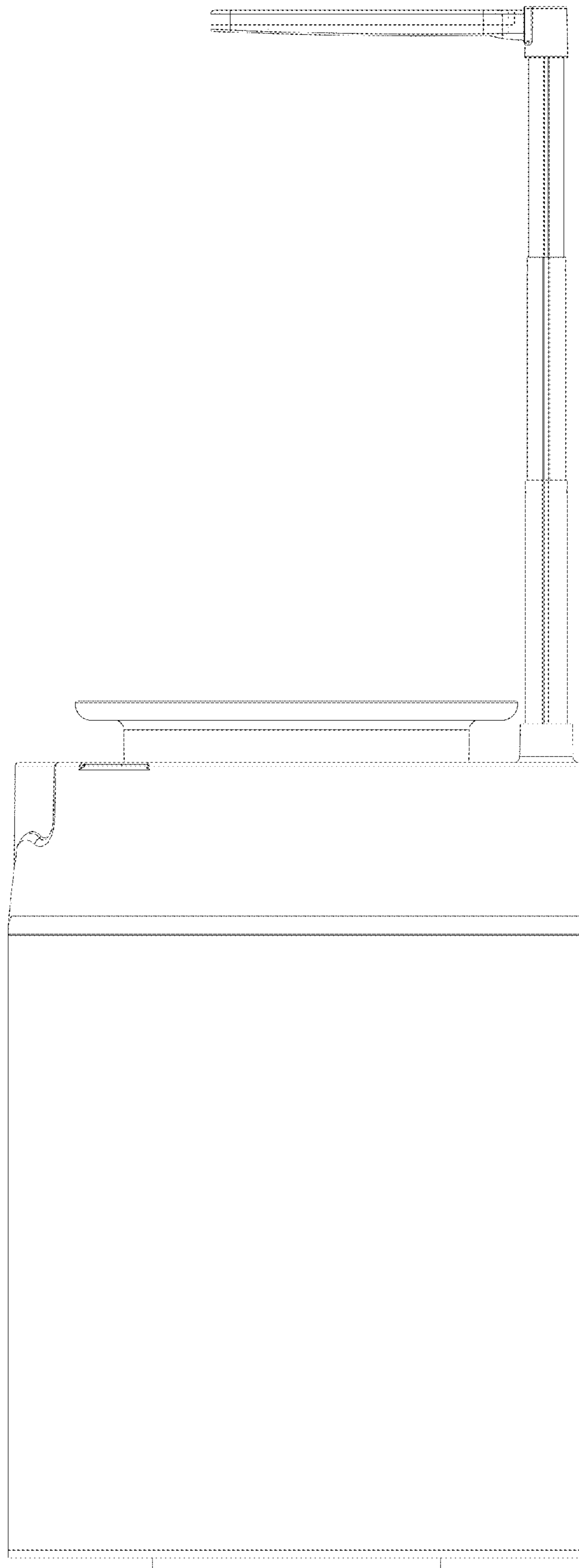


FIG. 5

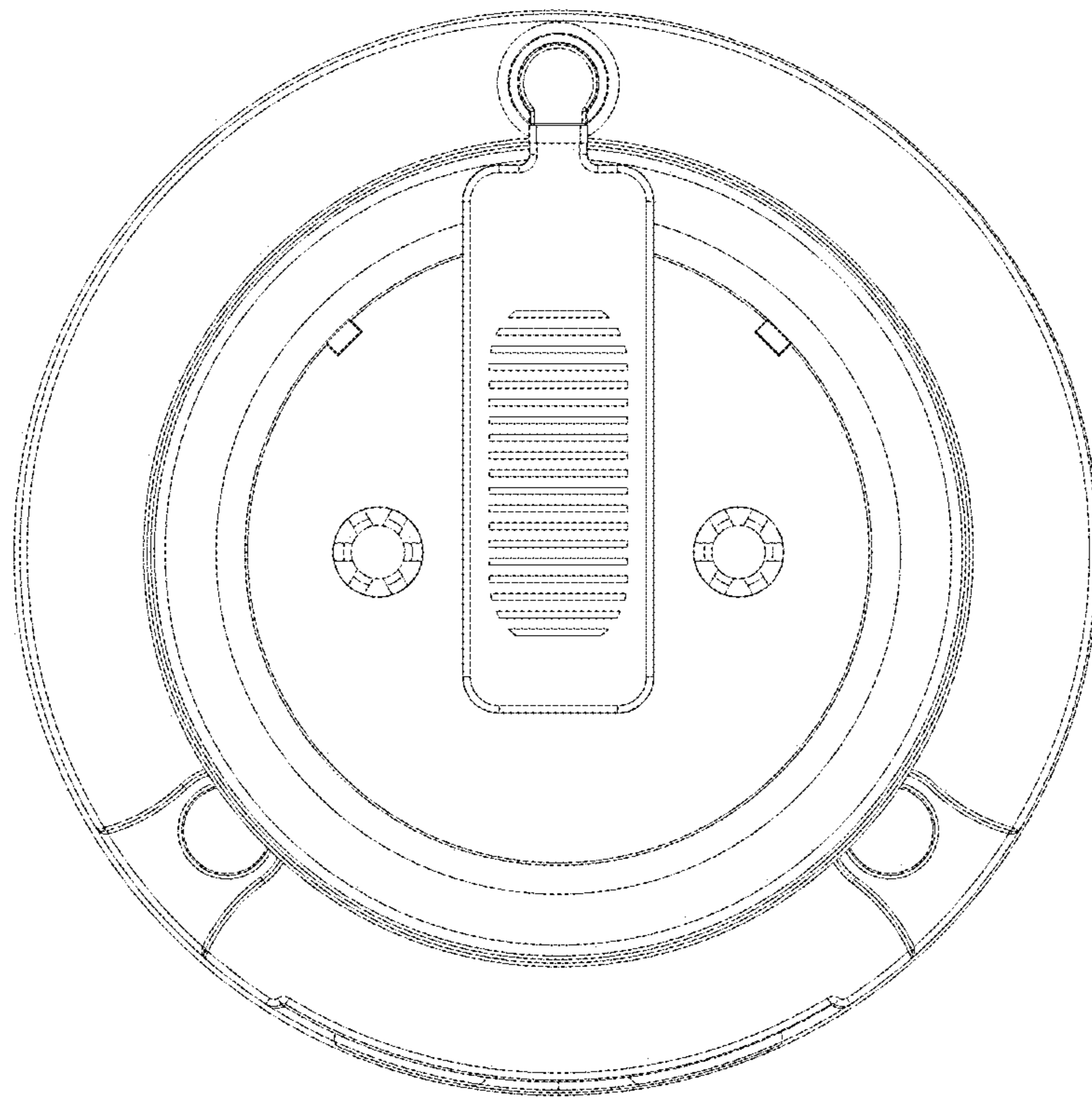


FIG. 6

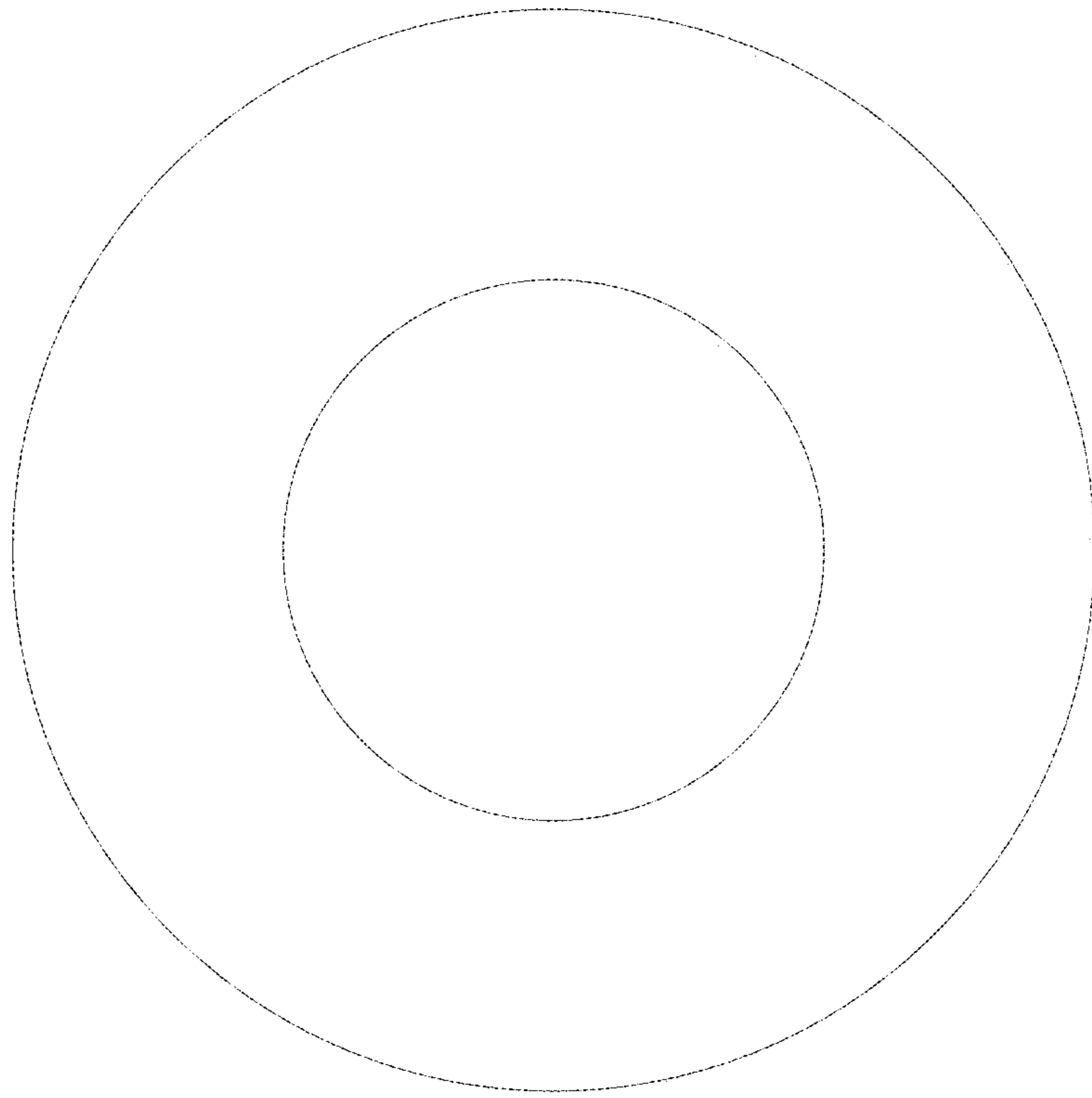


FIG. 7