



US00D953650S

(12) **United States Design Patent**
Quaye

(10) **Patent No.:** **US D953,650 S**

(45) **Date of Patent:** **** May 31, 2022**

(54) **UNIVERSAL HARD HAT BRACKET**

(71) Applicant: **Roland Quaye**, Fredericksburg, VA
(US)

(72) Inventor: **Roland Quaye**, Fredericksburg, VA
(US)

(**) Term: **15 Years**

(21) Appl. No.: **29/743,572**

(22) Filed: **Jul. 22, 2020**

(51) **LOC (13) Cl.** **02-99**

(52) **U.S. Cl.**
USPC **D29/122**

(58) **Field of Classification Search**
USPC D29/102, 103, 106, 107, 108, 110, 122;
D24/110.2
CPC A42B 3/225; A42B 3/226; A42B 3/18;
A42B 3/185; A42B 3/20; A42B 3/22;
A42B 3/221; A42B 3/222; A41D 13/11;
A41D 13/1161; A41D 13/1184
See application file for complete search history.

(56) **References Cited**

U.S. PATENT DOCUMENTS

3,458,864	A	8/1969	Austin et al.	
D254,638	S *	4/1980	Bay, Jr.	D29/109
4,764,990	A	8/1988	Markert	
D298,476	S *	11/1988	Lonnstedt	D16/334
4,965,887	A	10/1990	Paoluccio	
D360,708	S *	7/1995	Palmaer	D29/104
D372,343	S *	7/1996	Palmaer	D29/122
5,584,078	A	12/1996	Saboory	
5,862,530	A *	1/1999	Shillington	A41D 13/1184 2/439
6,213,125	B1	4/2001	Reese et al.	
D457,987	S *	5/2002	Cheng	D29/122
D458,713	S *	6/2002	Cheng	D29/110
D661,840	S *	6/2012	Klotz	D29/109
D662,672	S *	6/2012	Carlborg	D29/122

D730,584	S *	5/2015	Paulson	D29/110
D747,560	S *	1/2016	Daniels	D29/122
D899,001	S *	10/2020	Whitehead	D29/110

(Continued)

OTHER PUBLICATIONS

Ridgeline Cap Style Hard Hat Adapter—Pyramex Safety (on-line), dated Jan. 27, 2018. Retrieved from Internet Jan. 19, 2022, URL: <http://web.archive.org/web/20180127021323/https://www.pyramexsafety.com/products/head-protection/HHABCMR> (2 pages) (Year: 2018).*

Primary Examiner — Kimberly Barnes

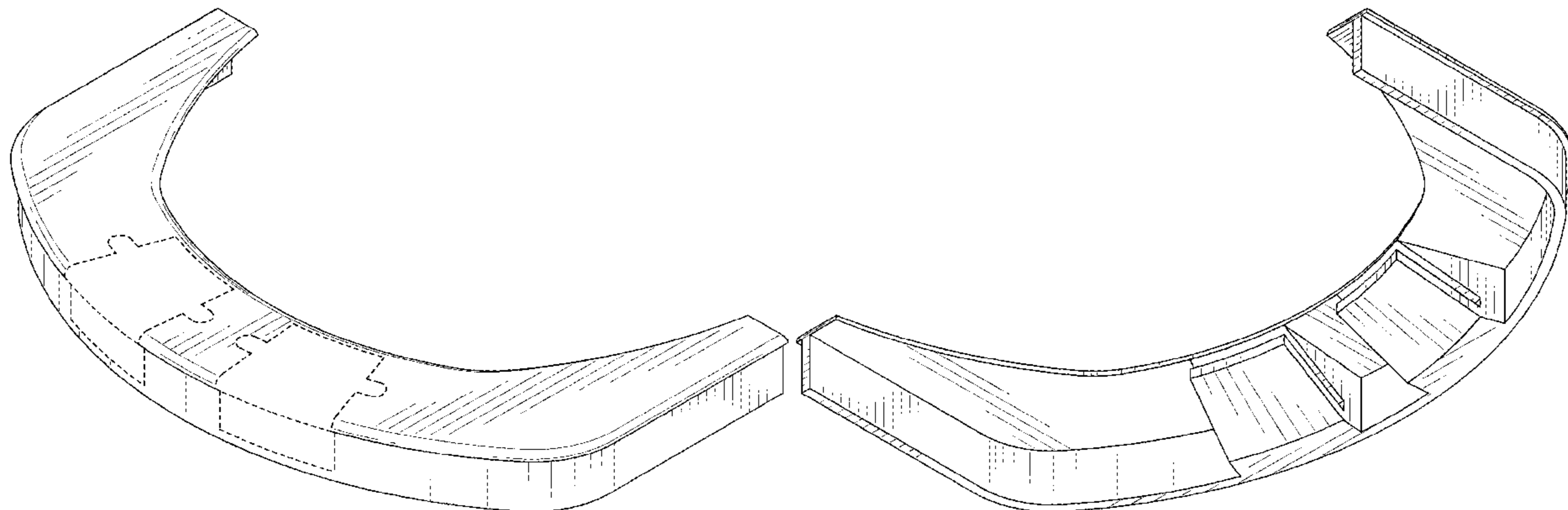
(57) **CLAIM**

The ornamental design for a universal hard hat bracket, as shown and described.

DESCRIPTION

FIG. 1 is a top perspective view of a universal hard hat bracket showing my new design; FIG. 2 is a bottom perspective view thereof; FIG. 3 is a front elevation view thereof; FIG. 4 is a rear elevation view thereof; FIG. 5 is a top plan view thereof; FIG. 6 is a bottom plan view thereof; FIG. 7 is a right elevation view thereof; FIG. 8 is a left elevation view thereof; FIG. 9 is a vertical cross-sectional perspective view thereof taken in the direction of line 9-9 of FIG. 5; FIG. 10 is a top exploded perspective view thereof; FIG. 11 is a top perspective view thereof, showing the universal hard hat bracket with a face shield; and, FIG. 12 is a bottom perspective view thereof, showing the universal hard hat bracket with the face shield. The broken lines showing of removable portions in FIGS. 1, 3, and 5-11, the broken lines showing of recessions in FIG. 10, and the broken lines showing of a face shield in FIG. 11-12 are included for the purpose of showing environmental structure and form no part of the claimed design.

1 Claim, 12 Drawing Sheets



(56)

References Cited

U.S. PATENT DOCUMENTS

D899,700 S * 10/2020 Whitehead A41D 13/1184
D29/110
D908,973 S * 1/2021 Rybak D29/110
D914,293 S * 3/2021 Roth D29/110
D914,295 S * 3/2021 Evans D29/110
D915,681 S * 4/2021 Whitehead D29/110
D915,682 S * 4/2021 Whitehead D29/110
2005/0132459 A1 6/2005 Cheng

* cited by examiner

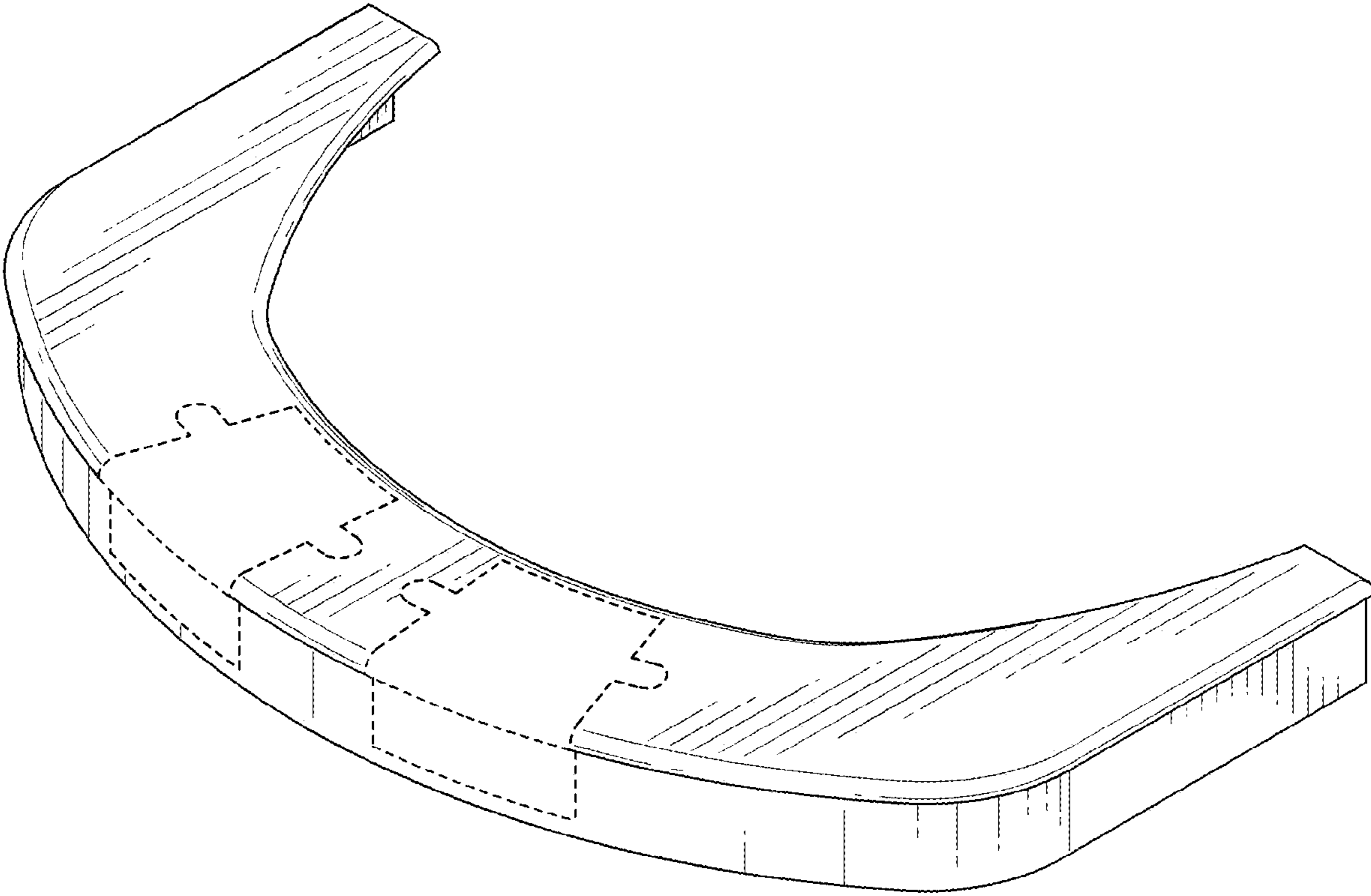


FIG. 1

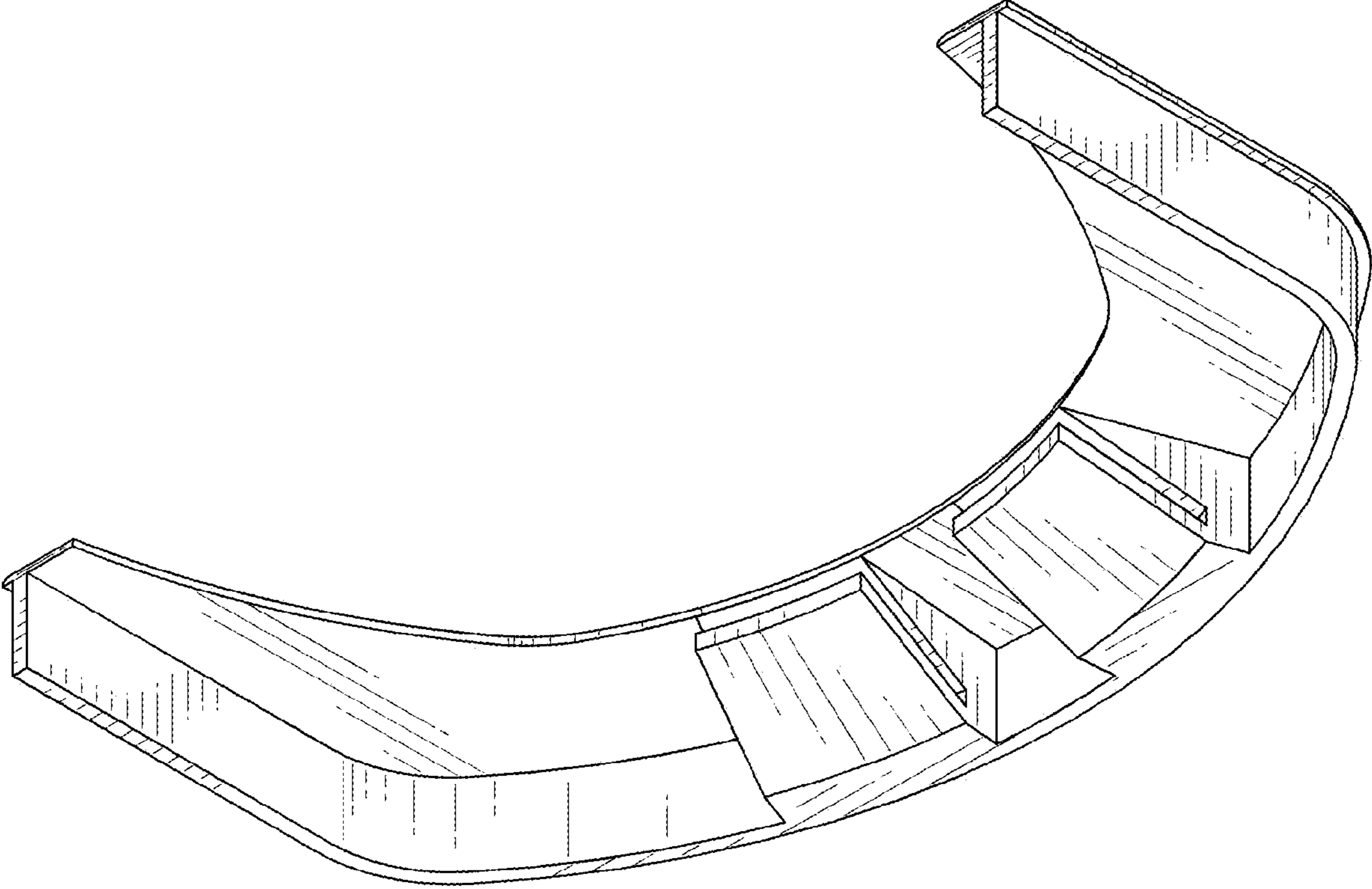


FIG. 2

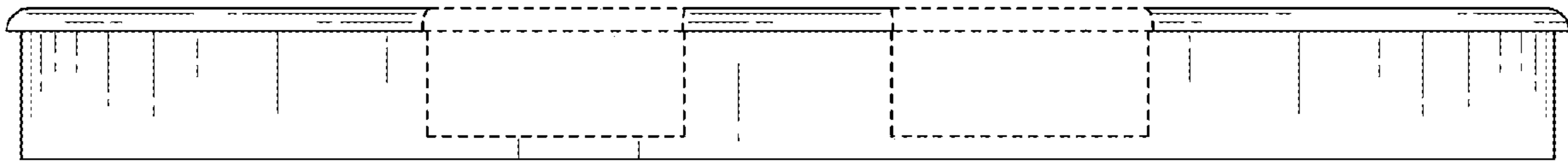


FIG. 3

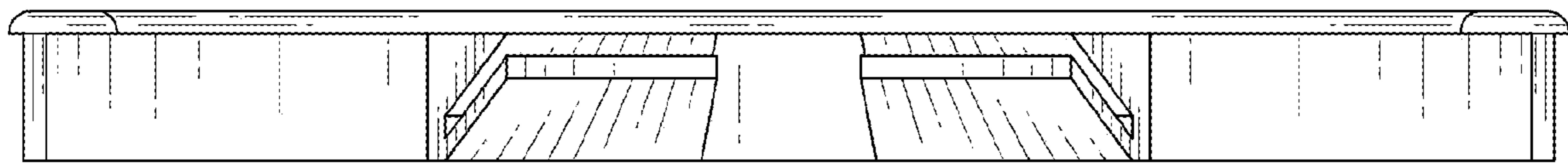


FIG. 4

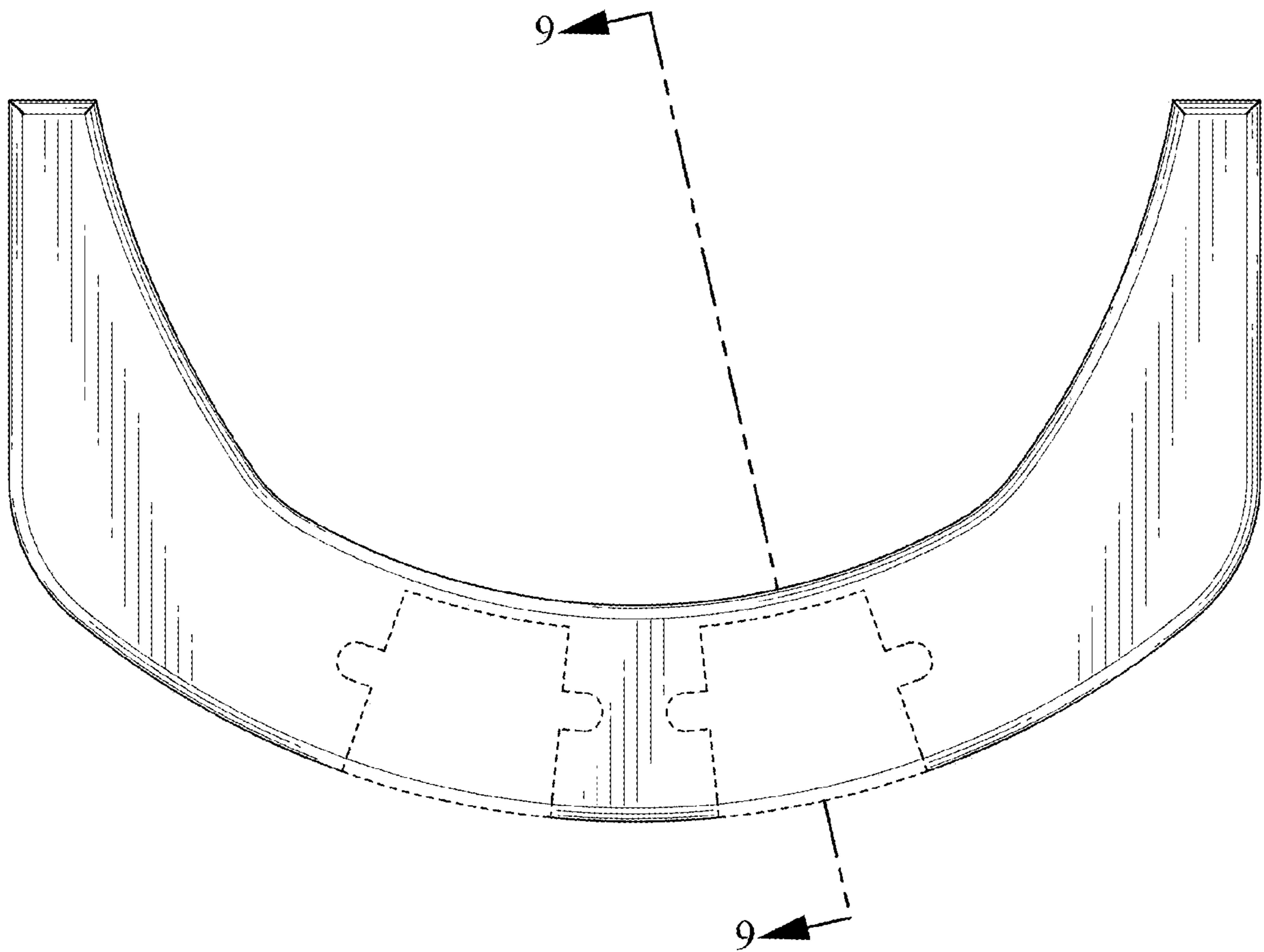


FIG. 5

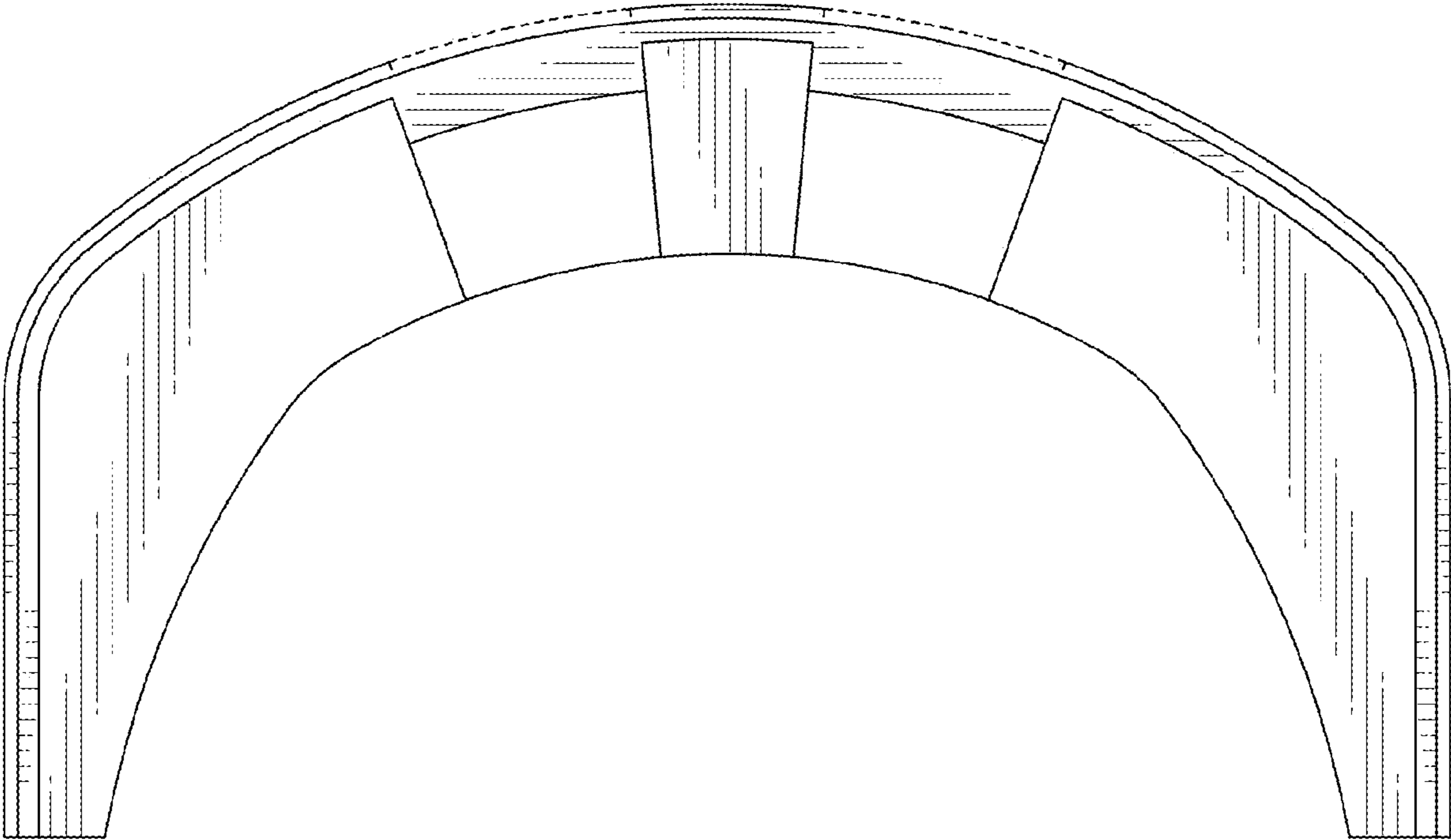


FIG. 6

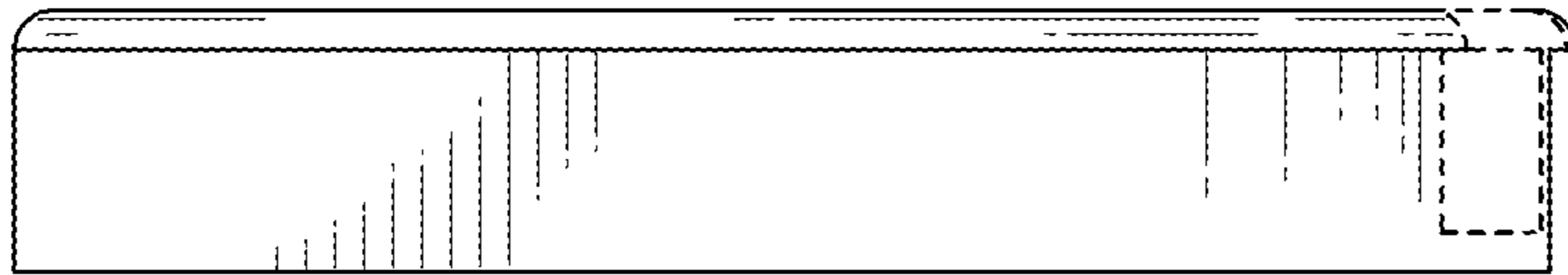


FIG. 7

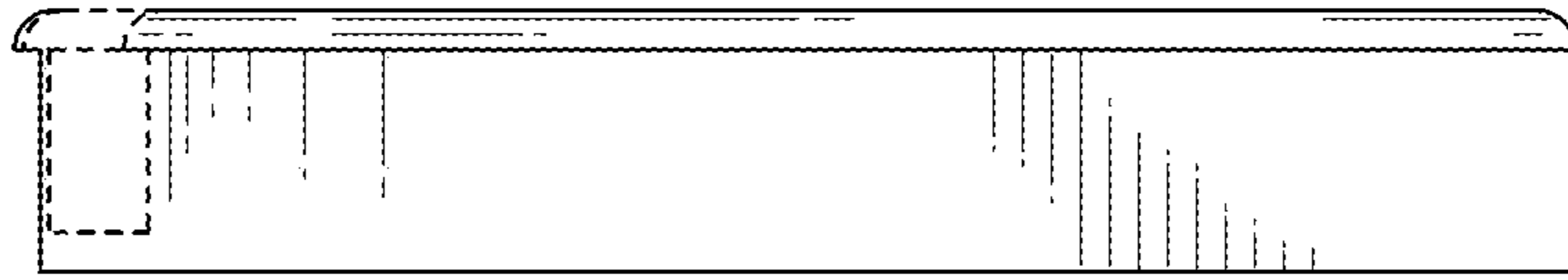


FIG. 8

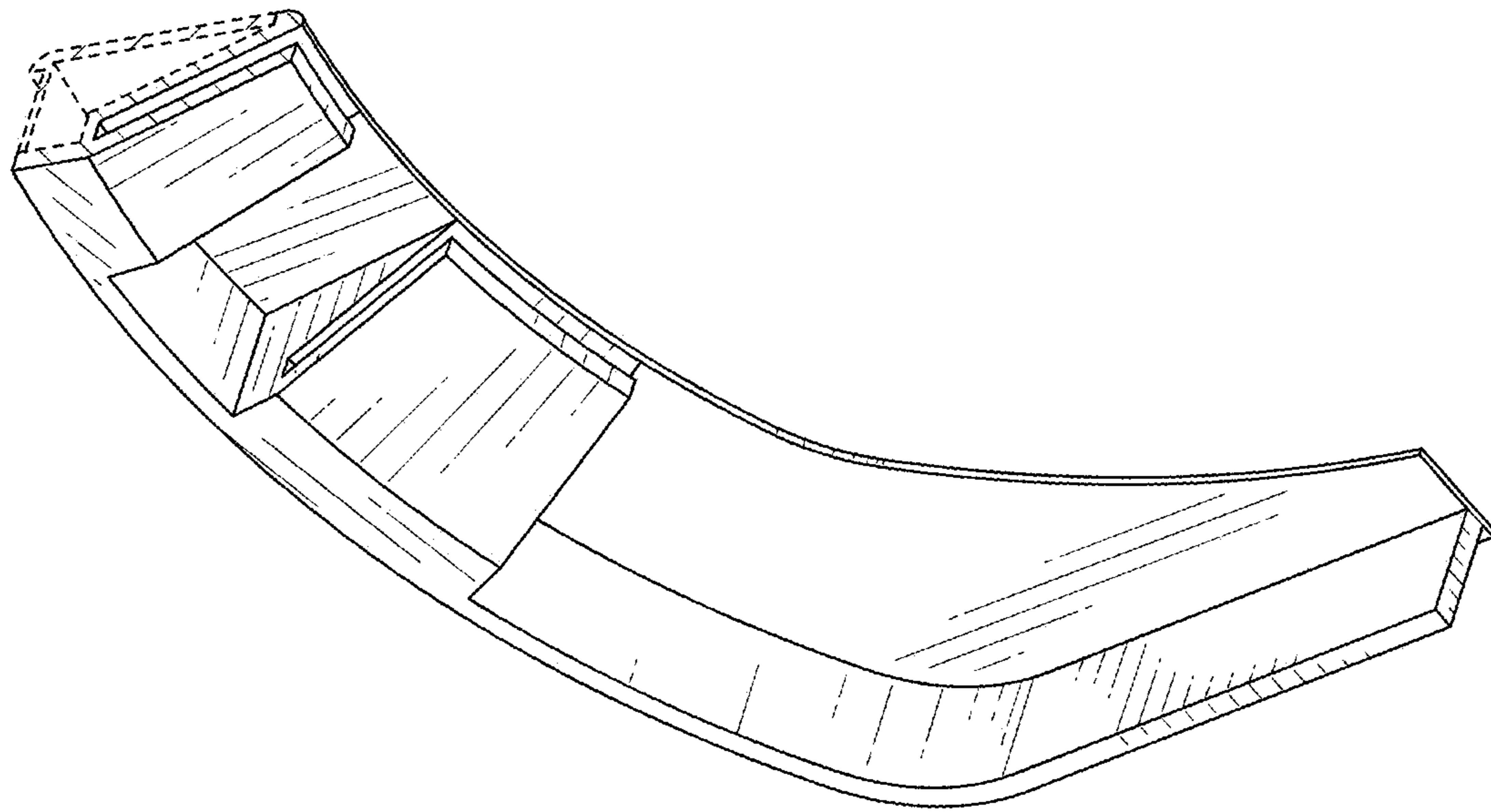


FIG. 9

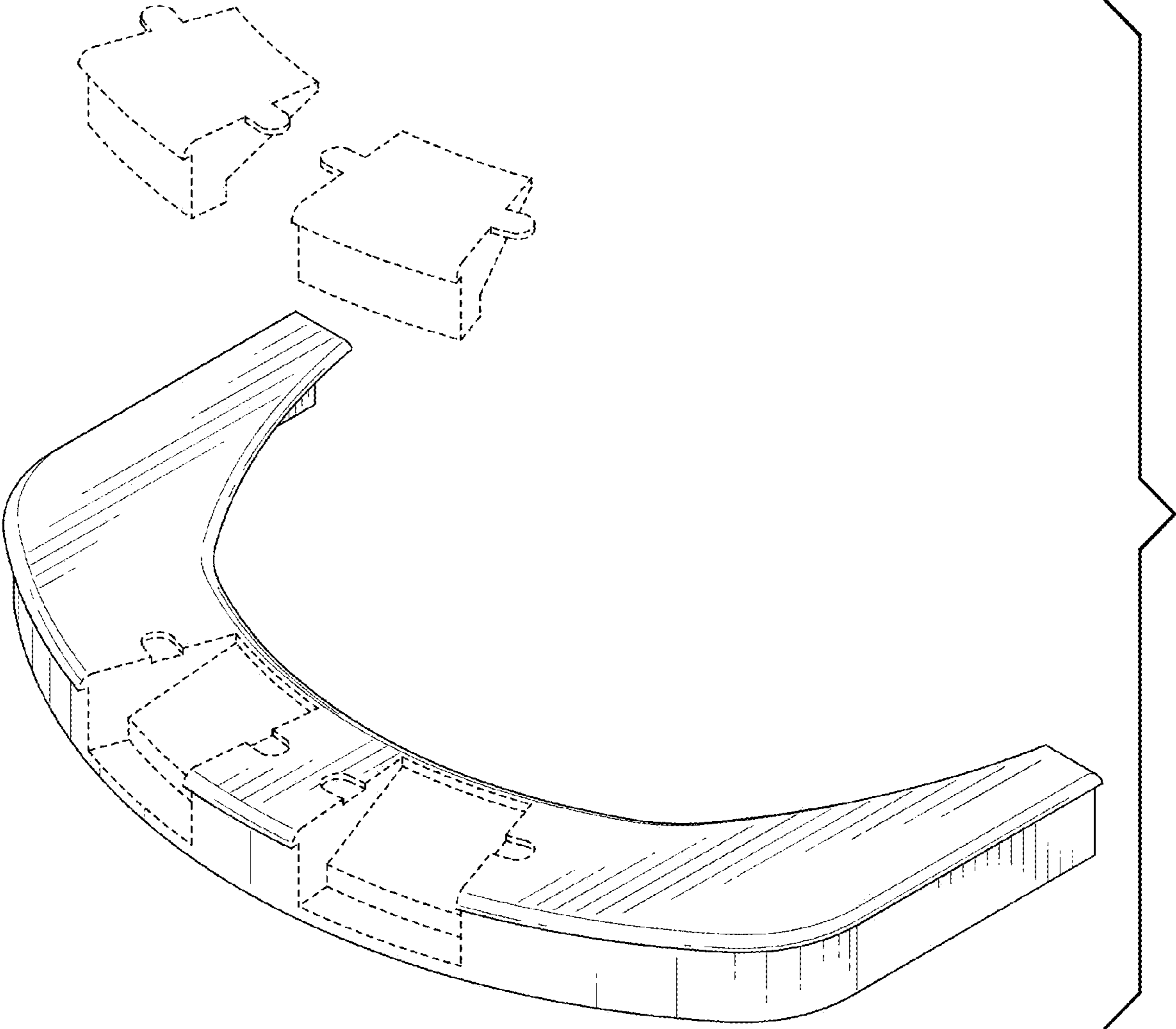


FIG. 10

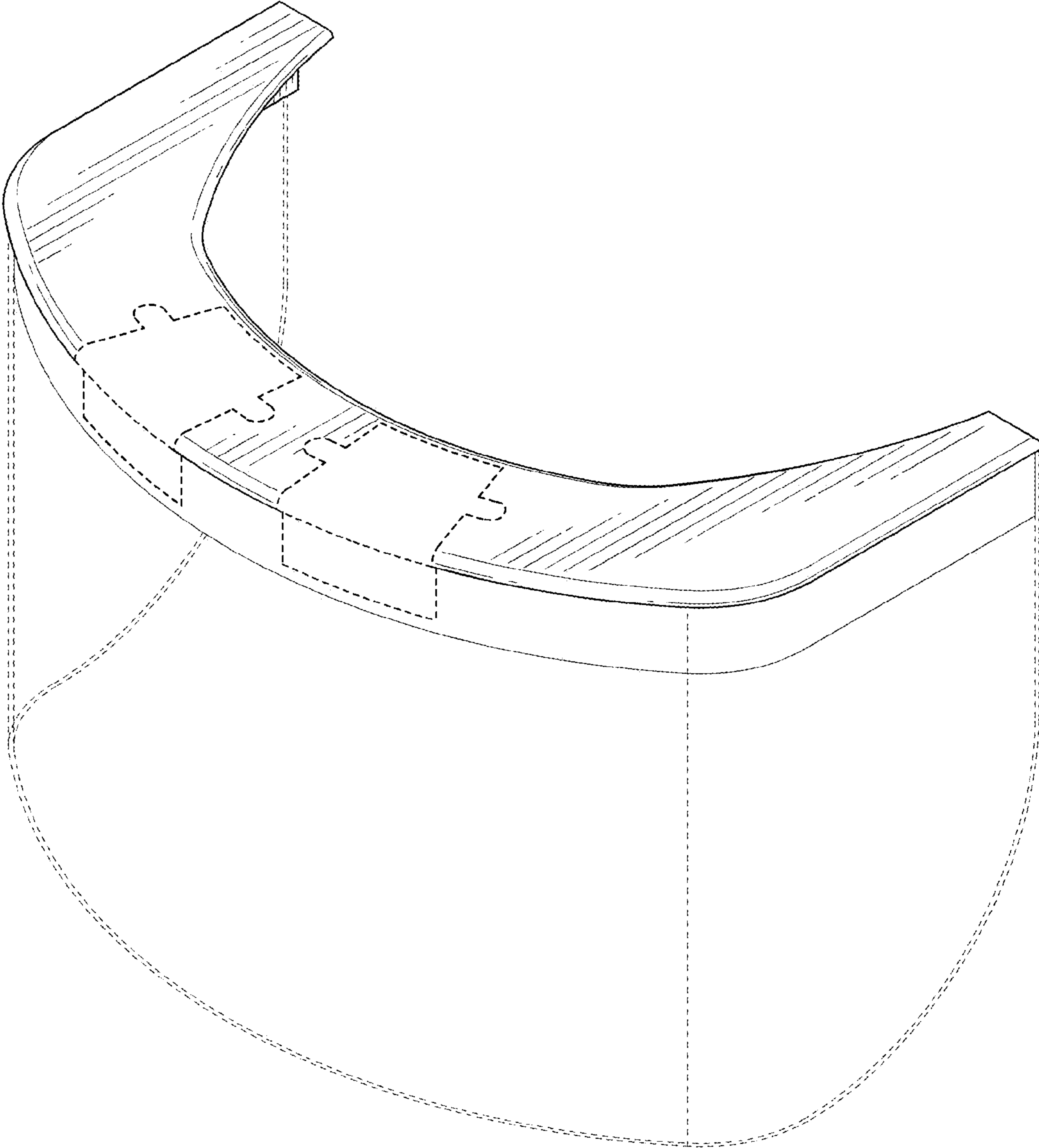


FIG. 11

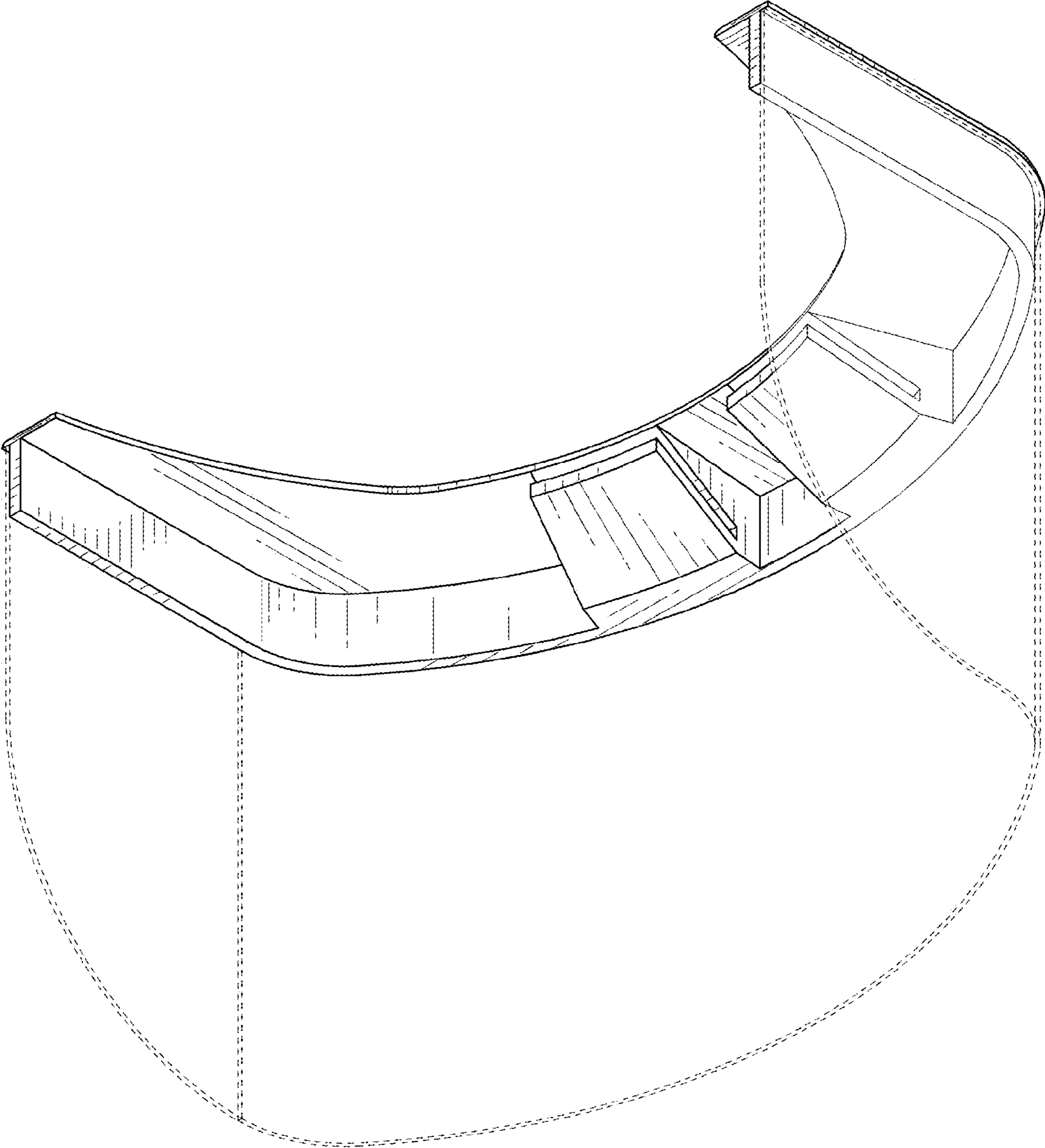


FIG. 12