



US00D953644S

(12) **United States Design Patent**  
**Kristofich**

(10) **Patent No.:** **US D953,644 S**  
(45) **Date of Patent:** **\*\* May 31, 2022**

(54) **INFANT SECURITY STRAP ARRANGEMENT AND CHANGING AID**

*Primary Examiner* — Kimberly Barnes  
(74) *Attorney, Agent, or Firm* — Lazaris IP

(71) Applicant: **Teresa Kristofich**, Denver, CO (US)

(57) **CLAIM**

(72) Inventor: **Teresa Kristofich**, Denver, CO (US)

The ornamental design for an infant security strap arrangement and changing aid, as shown and described.

(\*\*) Term: **15 Years**

**DESCRIPTION**

(21) Appl. No.: **29/767,121**

(22) Filed: **Jan. 20, 2021**

(51) **LOC (13) Cl.** ..... **29-02**

(52) **U.S. Cl.**  
USPC ..... **D29/100; D29/101.1**

(58) **Field of Classification Search**  
USPC ..... 128/875, 876; D11/200, 201; D8/356;  
D29/100, 122, 101.1; D6/601; D24/190  
CPC ..... A61F 5/37; A61F 5/3723; A61F 5/05858;  
A61F 5/3776; A47D 13/046; A47D  
13/086; A47D 15/005; A47D 5/00; A47D  
15/00; A47D 15/02; A61H 2201/1652;  
A61B 5/6831; A41B 13/00; A41B 13/06;  
A62B 35/00

See application file for complete search history.

FIG. 1 is a top, left, and front perspective view of an infant security strap arrangement and changing aid according to the present design;

FIG. 2 is a bottom, left, and rear perspective view of an infant security strap arrangement and changing aid according to the present design;

FIG. 3 is a bottom plan view of an infant security strap arrangement and changing aid according to the present design;

FIG. 4 is a top plan view of an infant security strap arrangement and changing aid according to the present design;

FIG. 5 is a rear elevation view of an infant security strap arrangement and changing aid according to the present design;

FIG. 6 is a front elevation view of an infant security strap arrangement and changing aid according to the present design;

FIG. 7 is a top plan view of an infant security strap arrangement and changing aid according to the present design, in use; and,

FIG. 8 is a top, right, and rear perspective view of an infant security strap arrangement and changing aid according to the present design, in use.

The broken lines in the figures depict portions of the infant security strap arrangement and changing aid that form no part of the claimed design. The broken lines in FIGS. 7 and 8 depicting a changing pad represent environmental subject matter that forms no part of the claimed design.

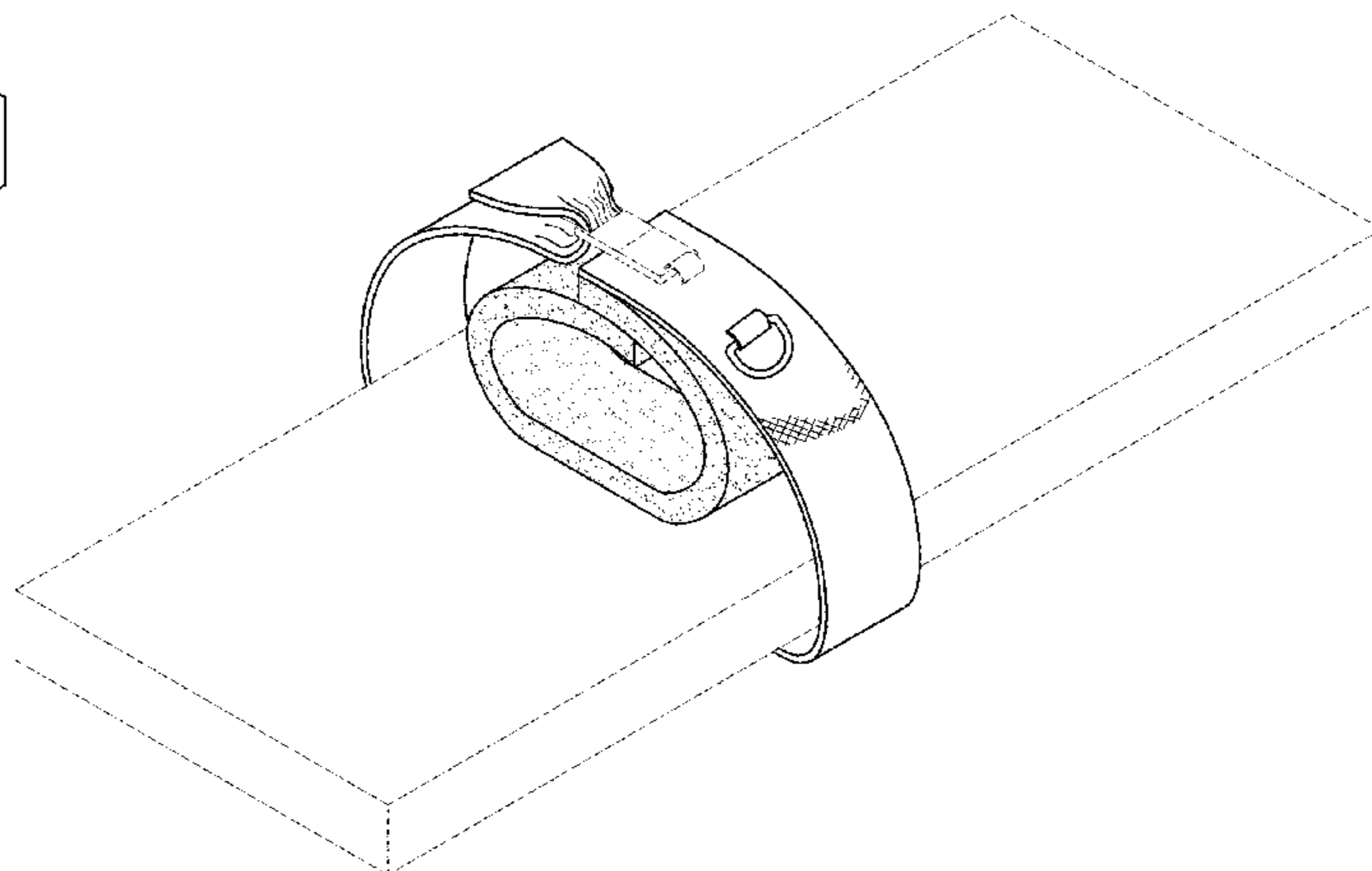
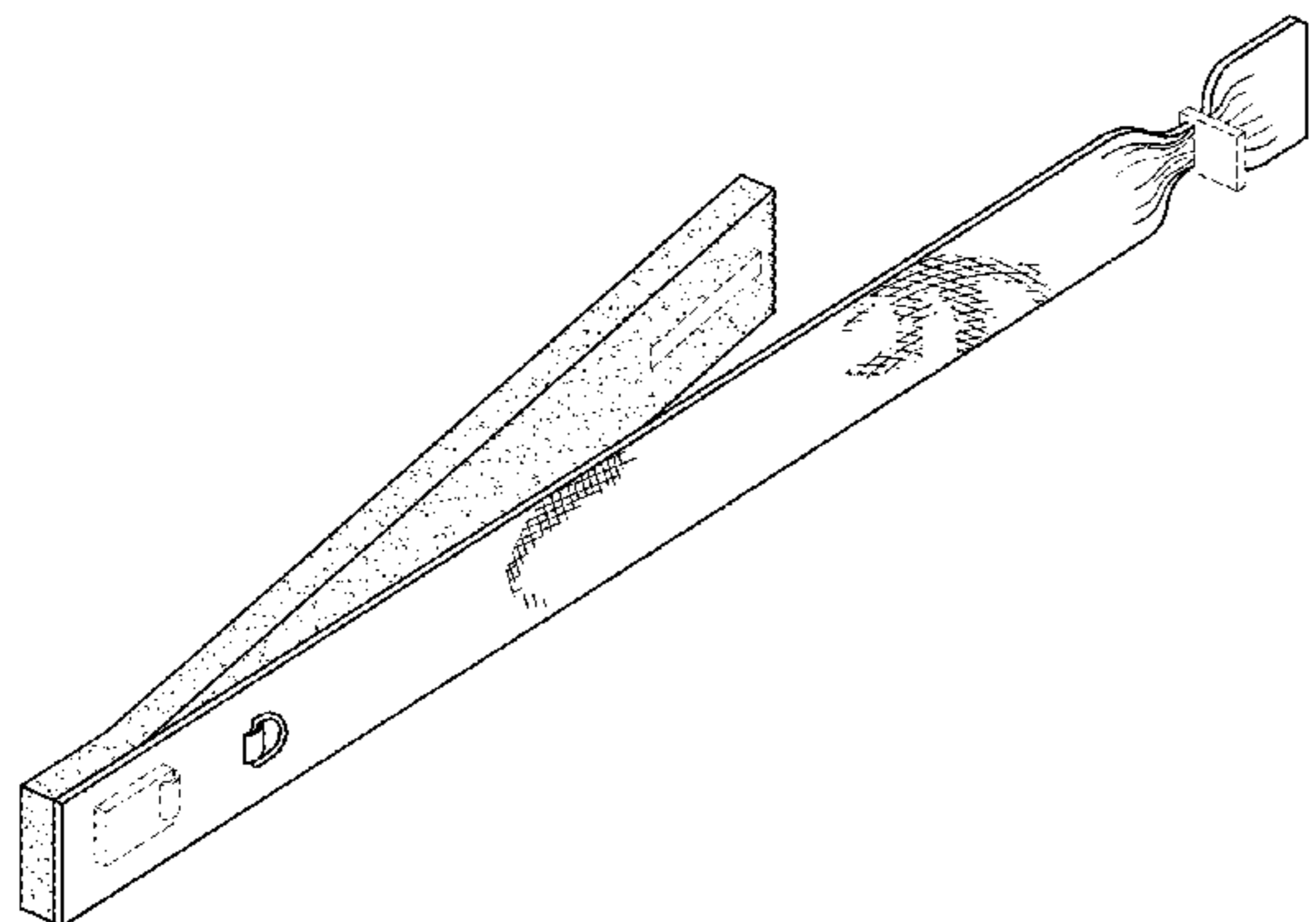
(56) **References Cited**

**U.S. PATENT DOCUMENTS**

837,373	A *	12/1906	Akers	.....	A61F 5/3784 5/424
2,102,281	A *	12/1937	Pringle	.....	A47D 15/008 D29/101.1
2,333,346	A *	11/1943	Sweetland	.....	A61F 5/3784 128/882
2,520,710	A *	8/1950	Brown	.....	A61F 5/3784 128/876
2,594,883	A *	4/1952	Donnen	.....	A47D 5/00 128/870
2,619,958	A *	12/1952	Day	.....	A41B 13/00 128/876

(Continued)

**1 Claim, 5 Drawing Sheets**



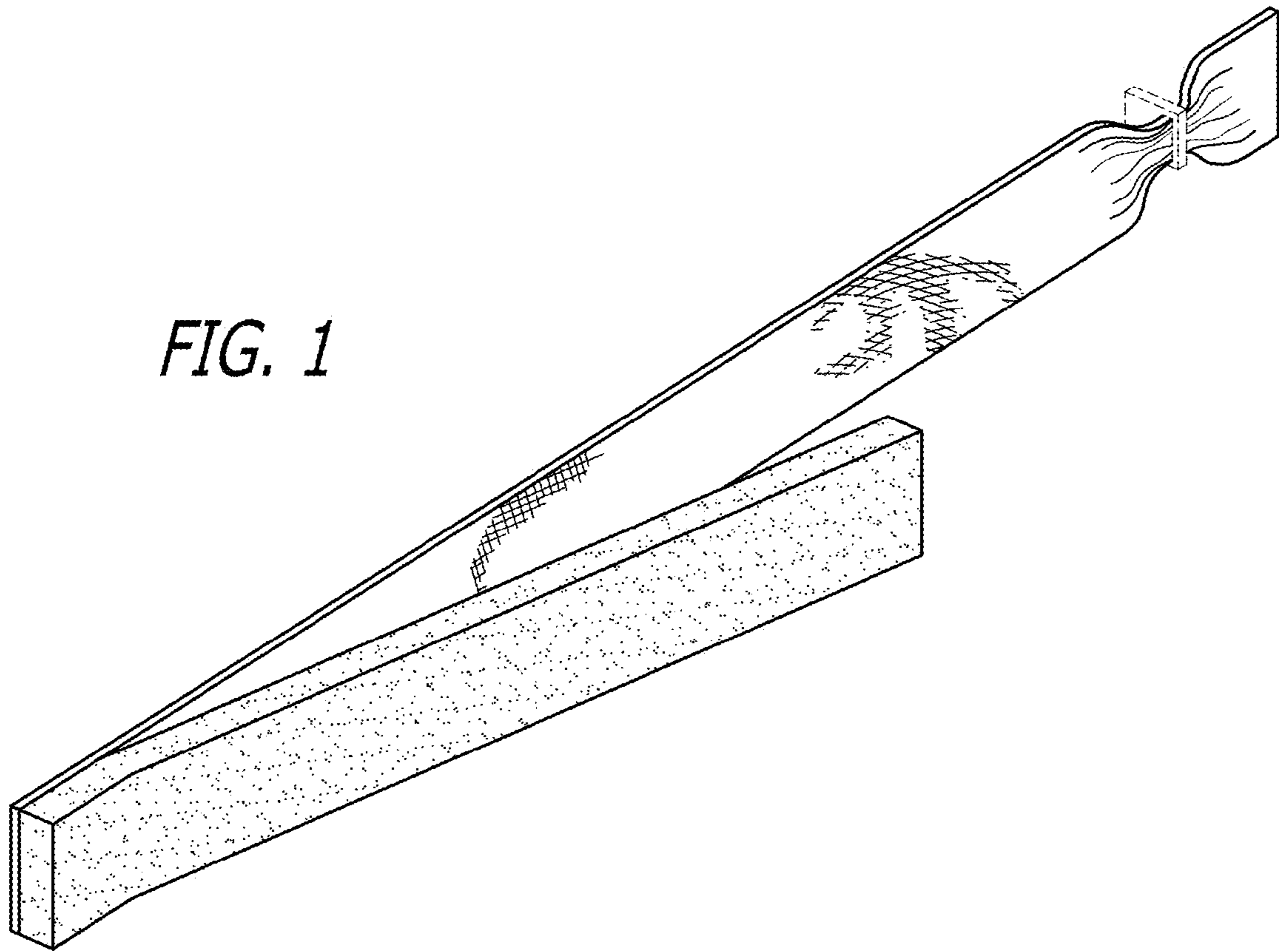
(56)

**References Cited**

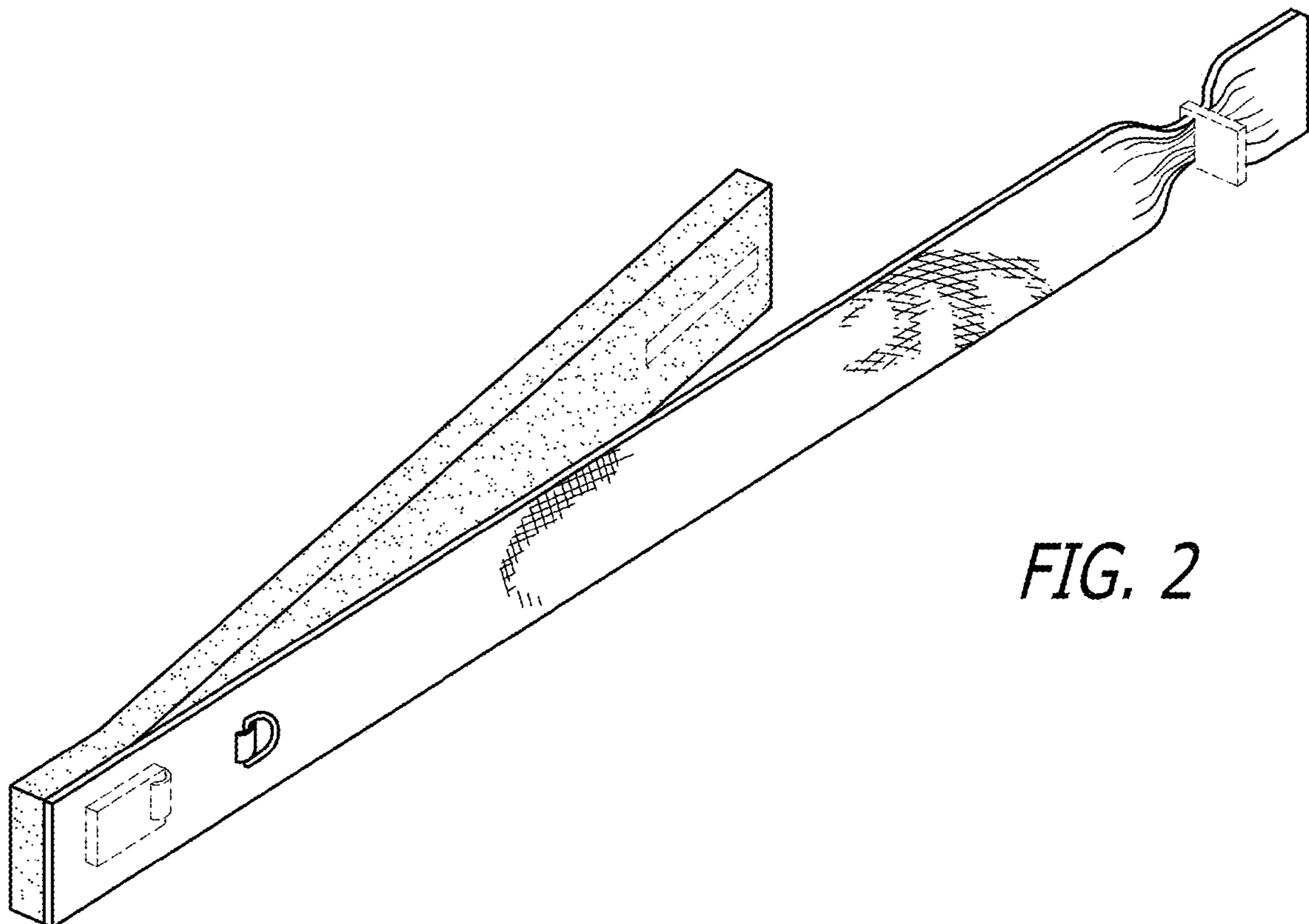
U.S. PATENT DOCUMENTS

3,108,292 A *	10/1963	Bodnar .....	A61F 5/3784 5/424	7,065,814 B2 *	6/2006	Rutkowski .....	A47D 15/003 5/628
D211,335 S *	6/1968	Kausen et al. ....	D29/101.1	7,150,054 B1 *	12/2006	Byrne .....	A47D 15/008 5/655
3,721,434 A *	3/1973	Spies .....	A61F 5/3776 5/655	7,757,320 B2 *	7/2010	Lord .....	A47D 5/00 5/946
3,779,540 A *	12/1973	Boudreau .....	A47D 15/008 5/655	8,782,836 B2	7/2014	Fort	
4,132,229 A *	1/1979	Morrison .....	A61F 5/3784 128/876	9,867,481 B2	1/2018	Shumway	
D263,640 S *	4/1982	Nandorf .....	D29/101.1	10,016,066 B2 *	7/2018	Howard .....	A61G 1/044
D264,890 S *	6/1982	Nandorf .....	D29/101.1	11,013,348 B2 *	5/2021	Sullivan .....	A41B 13/065
4,712,258 A *	12/1987	Eves .....	A47D 15/008 5/655	D934,002 S *	10/2021	Toto .....	D6/601
5,309,926 A *	5/1994	Mayton .....	A47D 5/00 128/869	11,178,916 B2 *	11/2021	Moudrakis .....	A41B 13/06
D382,642 S *	8/1997	Van Gisbergen Rutherford .....	D24/190	2015/0359355 A1 *	12/2015	Rushing .....	A47D 5/00 5/655
				2016/0174731 A1 *	6/2016	Pulley .....	A47D 15/005 128/878
				2017/0224127 A1	8/2017	Kerem	

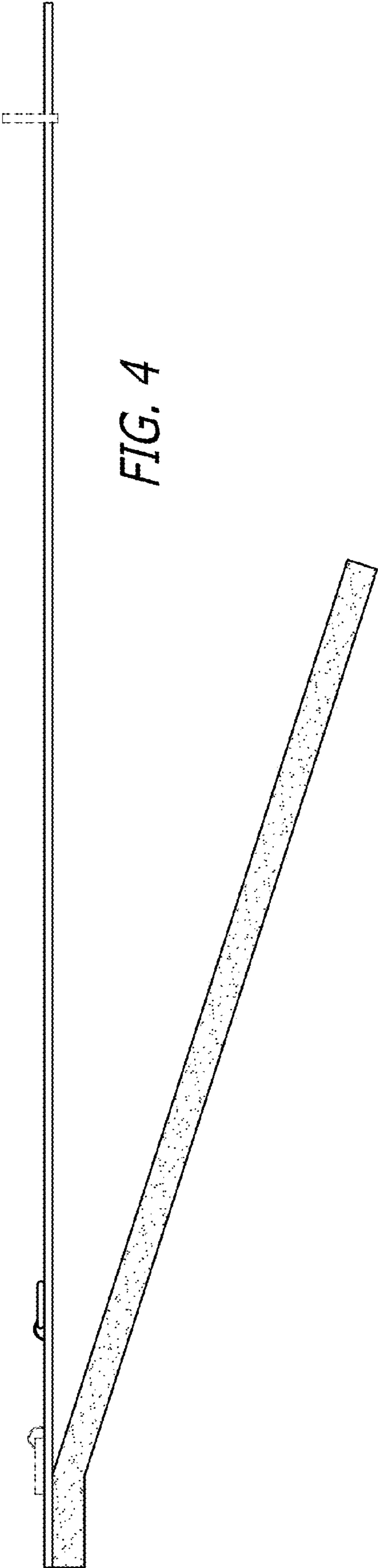
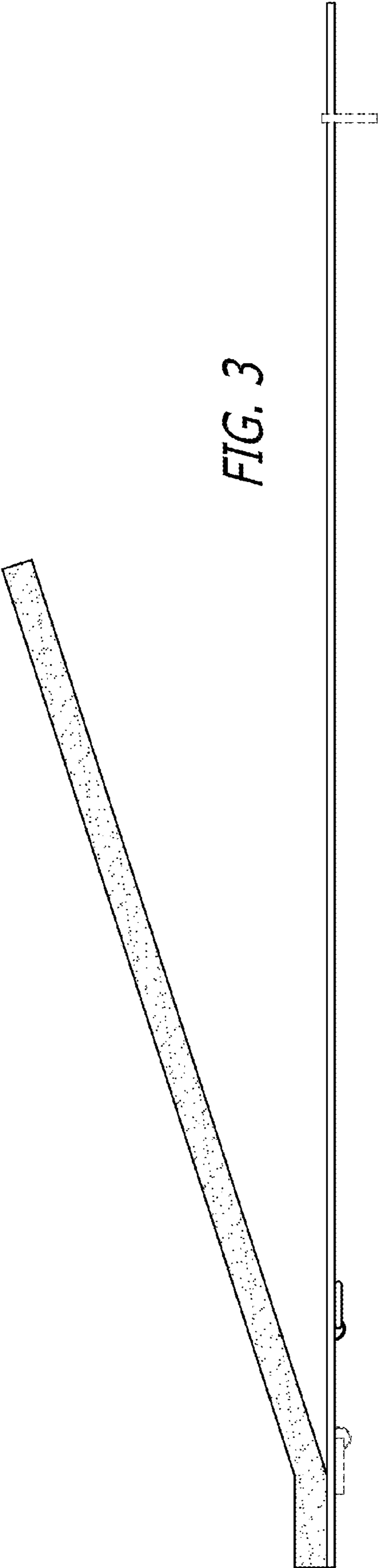
\* cited by examiner



*FIG. 1*



*FIG. 2*



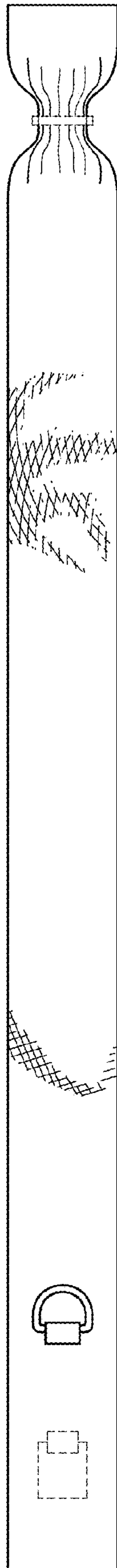


FIG. 5

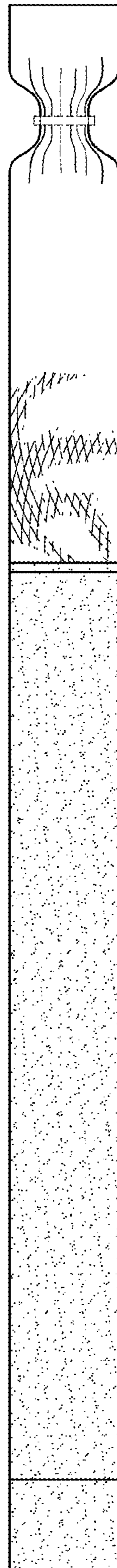


FIG. 6

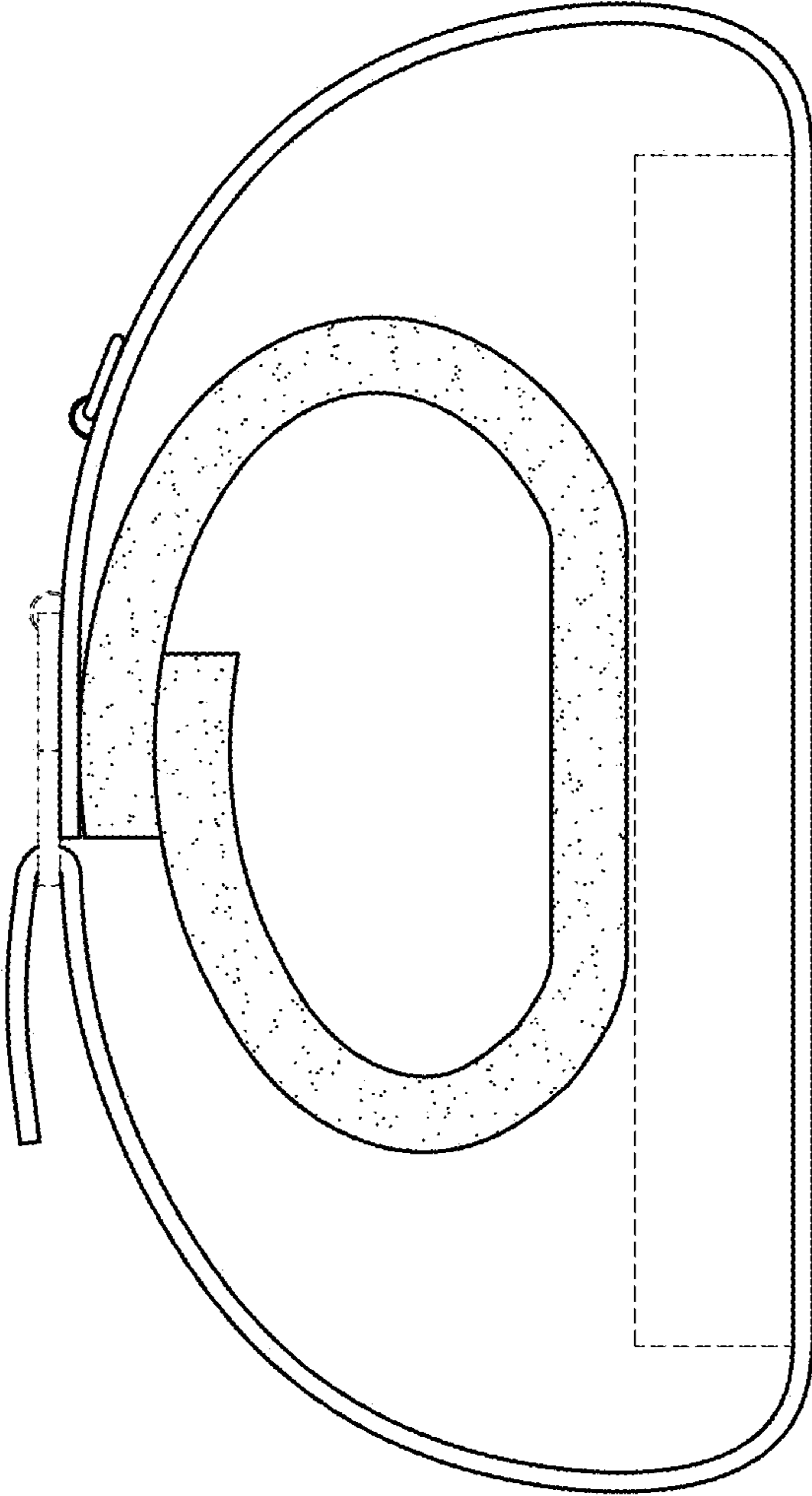


FIG. 7

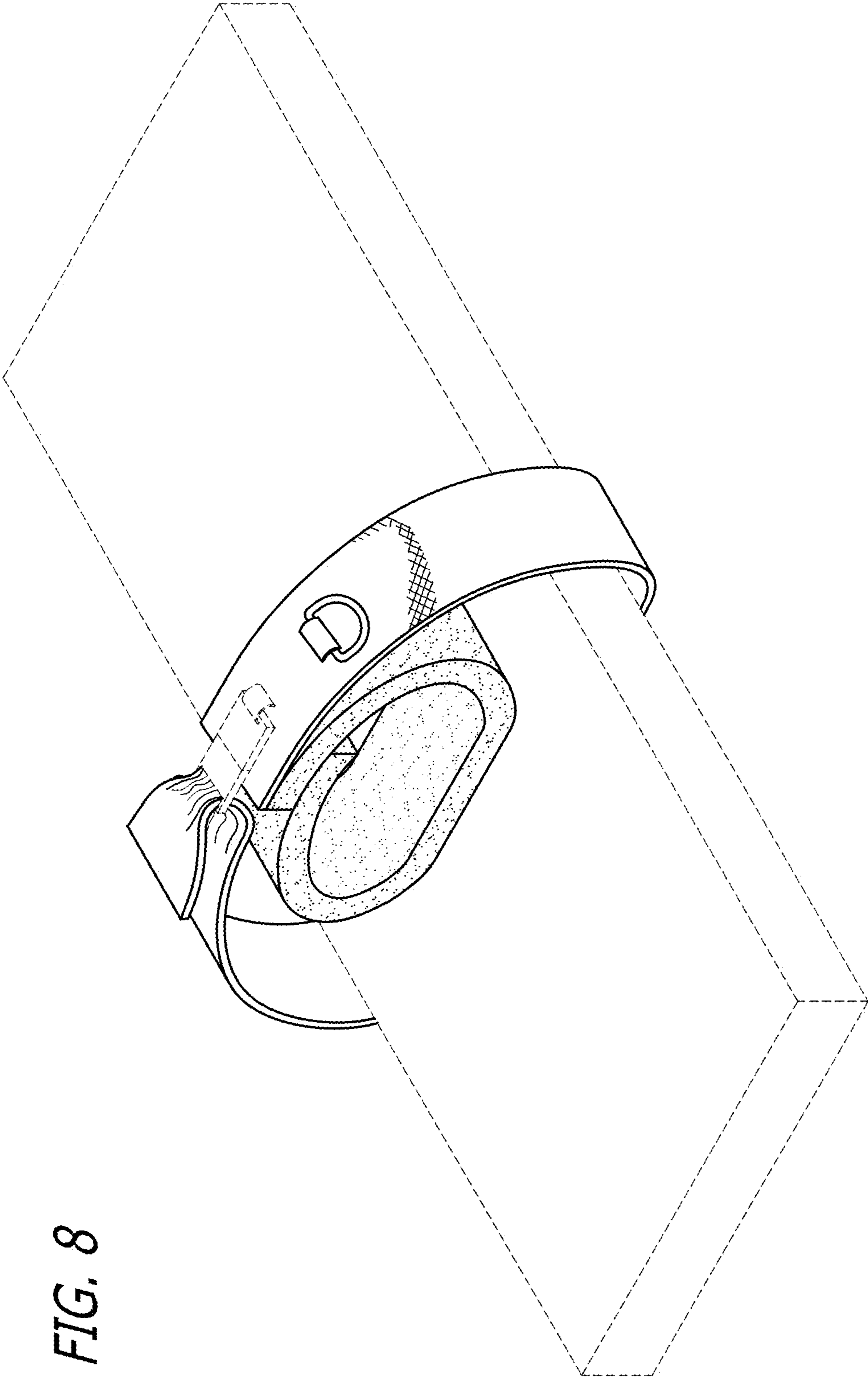


FIG. 8