



US00D953643S

(12) **United States Design Patent** (10) **Patent No.:** **US D953,643 S**
Liu (45) **Date of Patent:** **** May 31, 2022**

(54) **SINK MOUNTED HAND DRYER**
(71) Applicant: **HOKWANG INDUSTRIES CO., LTD.**, New Taipei (TW)
(72) Inventor: **Shen-Chen Liu**, New Taipei (TW)
(73) Assignee: **HOKWANG INDUSTRIES CO., LTD.**, New Taipei (TW)
(**) Term: **15 Years**

(21) Appl. No.: **29/758,797**
(22) Filed: **Nov. 18, 2020**
(51) **LOC (13) Cl.** **28-03**
(52) **U.S. Cl.**
USPC **D28/54.1**
(58) **Field of Classification Search**
USPC D28/9, 10, 12, 54.1, 99; D6/542;
D23/238, 240, 255
CPC E03C 1/0465; A47K 10/00; A47K 10/48;
A47K 2210/00
See application file for complete search history.

(56) **References Cited**

U.S. PATENT DOCUMENTS

D592,806 S *	5/2009	Kato	D28/54.1
D703,380 S *	4/2014	Lee	D28/58
D805,607 S *	12/2017	Streng	D23/240
D809,629 S *	2/2018	Streng	D23/240
D830,635 S *	10/2018	Liu	D28/54.1
D857,845 S *	8/2019	Wieser	D23/239
D872,368 S *	1/2020	Gagnon	D28/54.1
D885,525 S *	5/2020	Hsu	D23/255
D885,526 S *	5/2020	Hsu	D23/255
D913,448 S *	3/2021	Wieser	D23/240
D916,500 S *	4/2021	Johnson	D6/542

D927,648 S *	8/2021	Garland	D23/255
D927,649 S *	8/2021	Garland	D23/255
D930,904 S *	9/2021	Courtney	D28/54.1
2005/0133100 A1 *	6/2005	Bolderheij	E03C 1/055 137/801
2017/0107704 A1 *	4/2017	Wang	A47K 5/1211
2021/0302098 A1 *	9/2021	Jheng	F26B 21/001

FOREIGN PATENT DOCUMENTS

CN	201930559375.5	*	10/2019
CN	202030704069.9	*	11/2020

* cited by examiner

Primary Examiner — Alison M Ofstun

(74) *Attorney, Agent, or Firm* — funky, Geissler, Olds & Lowe, P.C.

(57) **CLAIM**

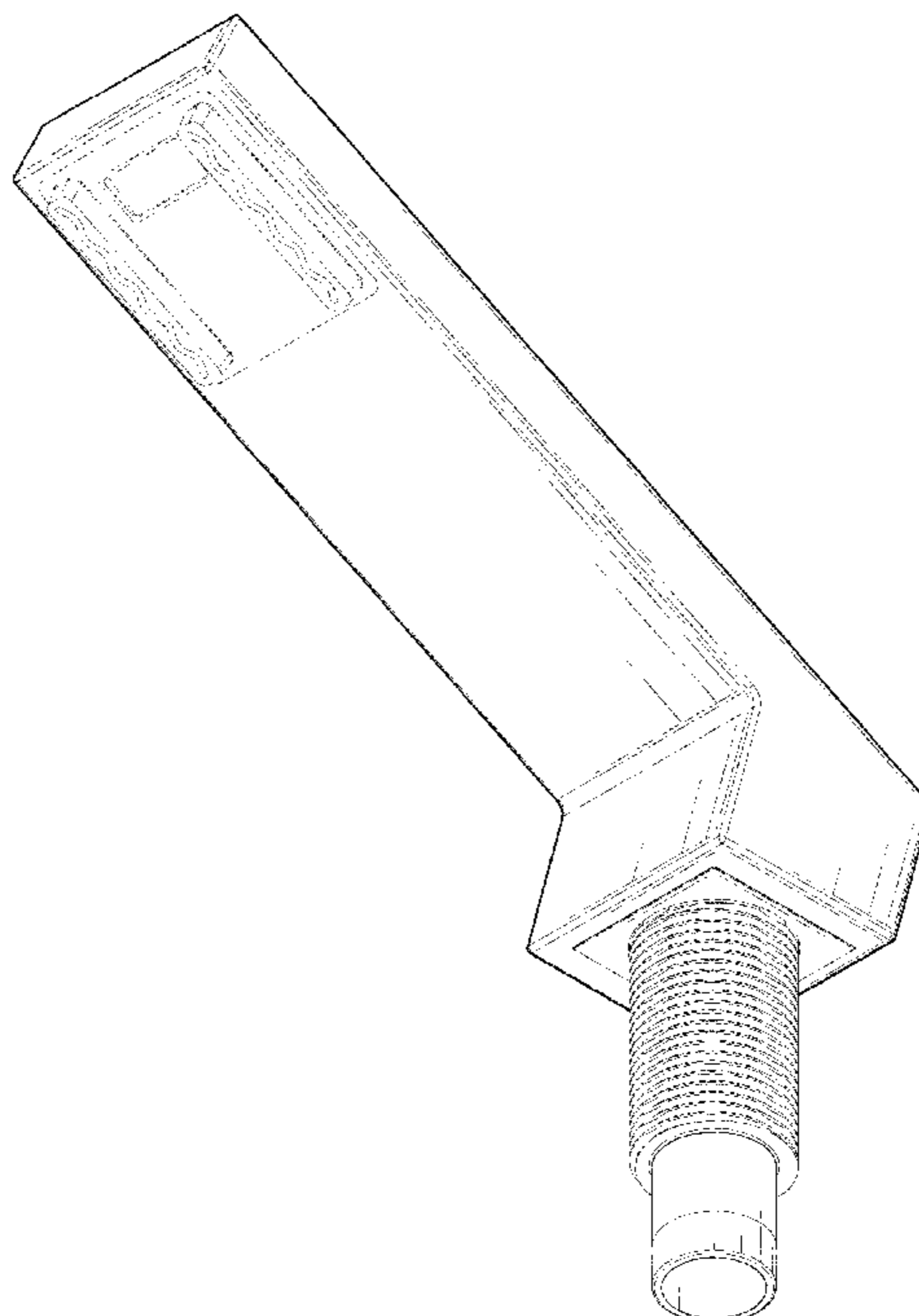
The ornamental design for a sink mounted hand dryer, as shown and described.

DESCRIPTION

FIG. 1 is a perspective view of a sink mounted hand dryer showing my new design;
FIG. 2 is a front elevational view thereof;
FIG. 3 is a rear elevational view thereof;
FIG. 4 is a left side elevational view thereof;
FIG. 5 is a right side elevational view thereof;
FIG. 6 is a top plan view thereof;
FIG. 7 is a bottom plan view thereof; and,
FIG. 8 is another perspective view thereof, shown in an environment of use.

In the drawings, the broken lines illustrate portions of the article that form no part of the claimed design. In FIG. 8, the broken lines illustrating a sink illustrate environmental subject matter only and form no part of the claimed design.

1 Claim, 6 Drawing Sheets



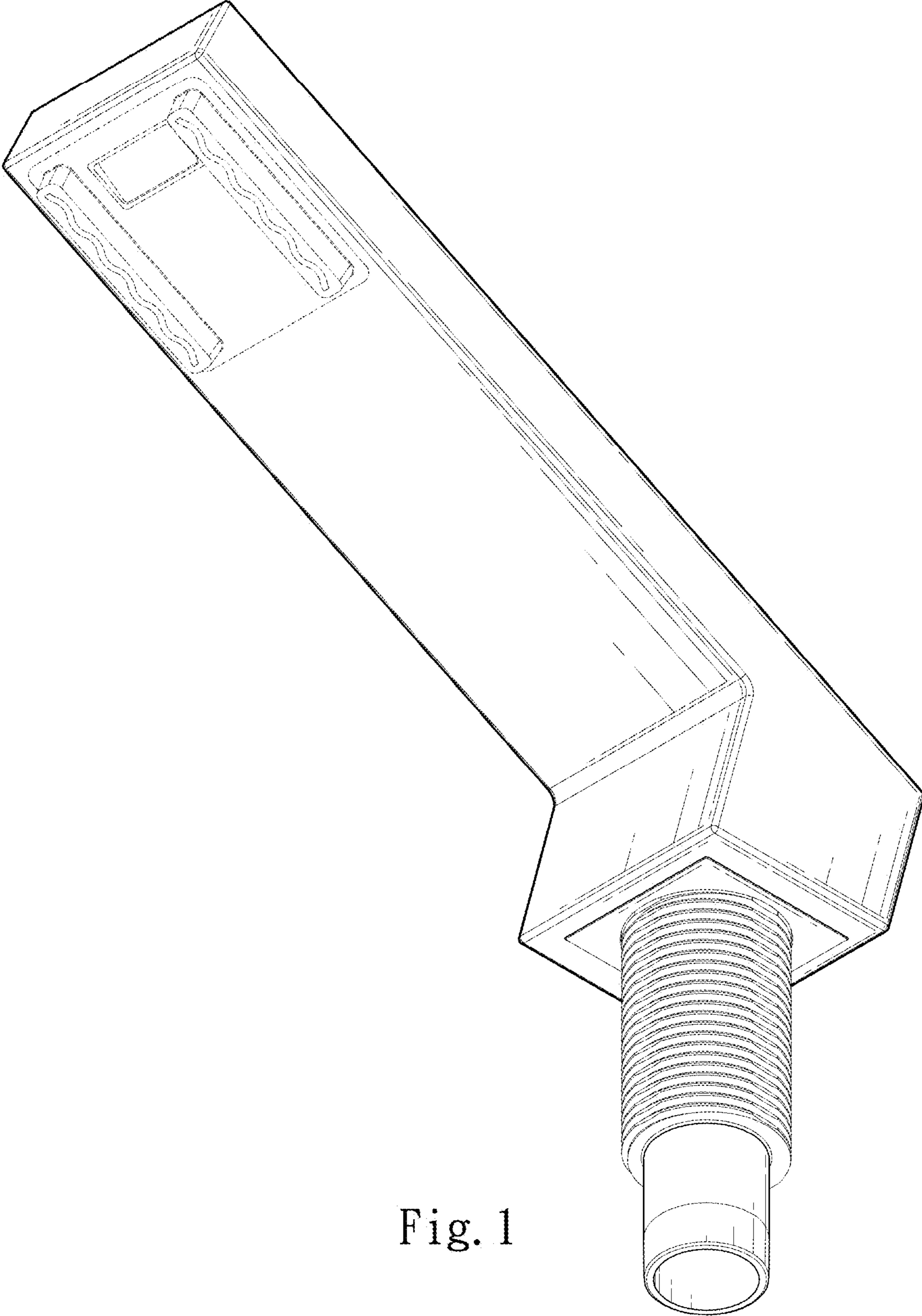


Fig. 1

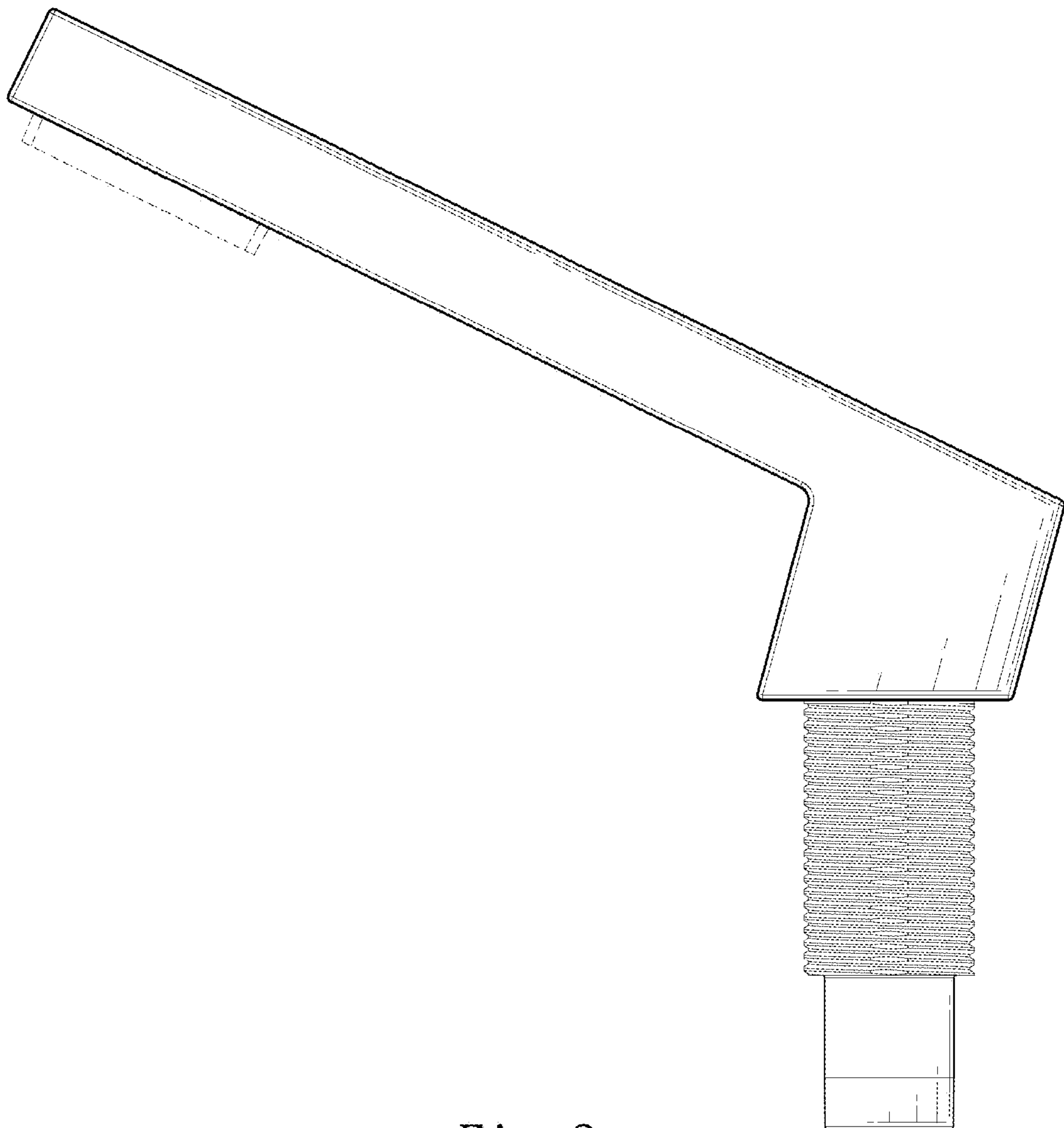


Fig. 2

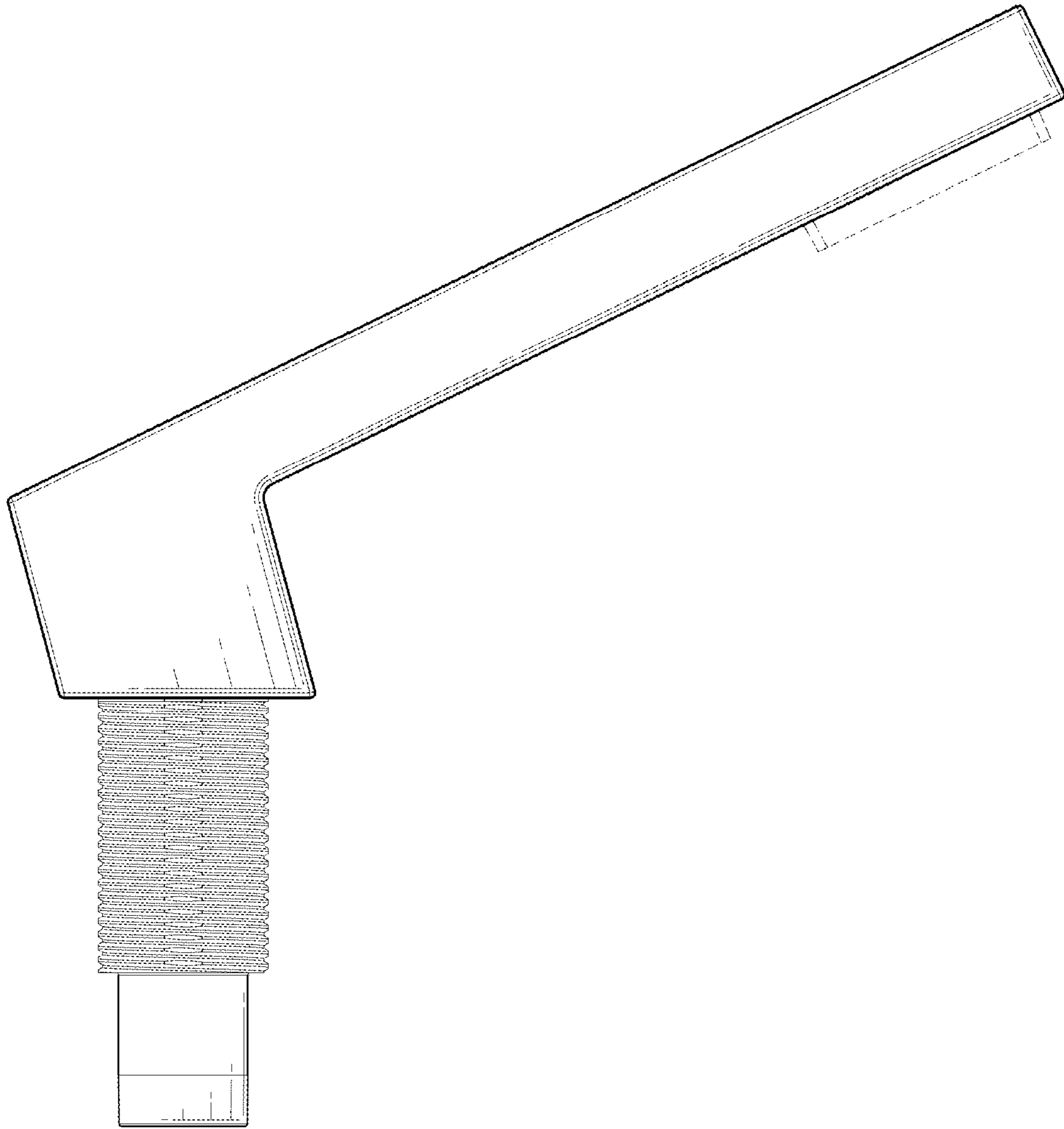


Fig. 3

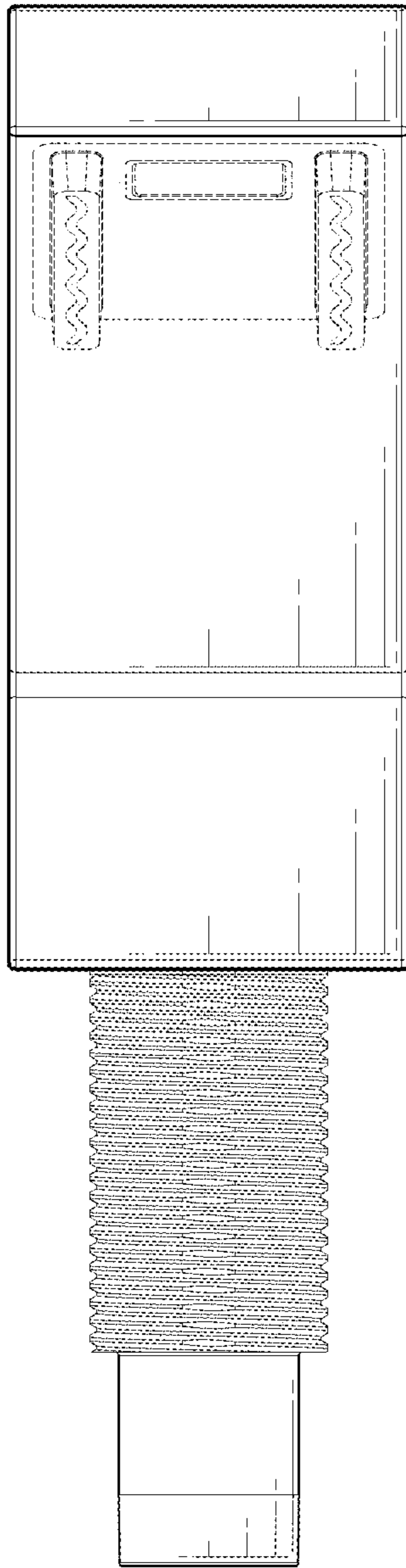


Fig. 4

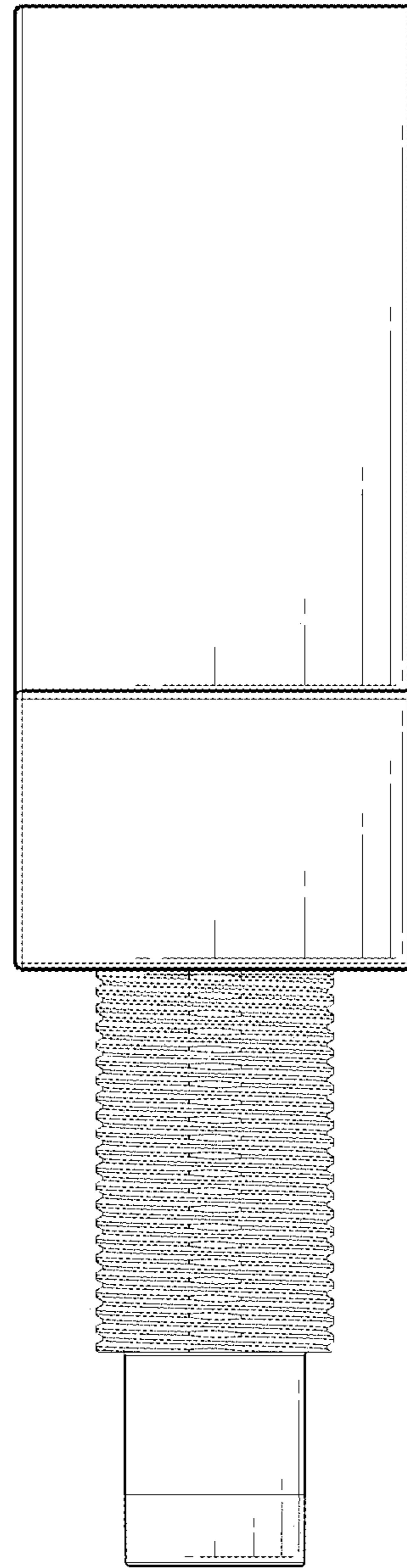


Fig. 5

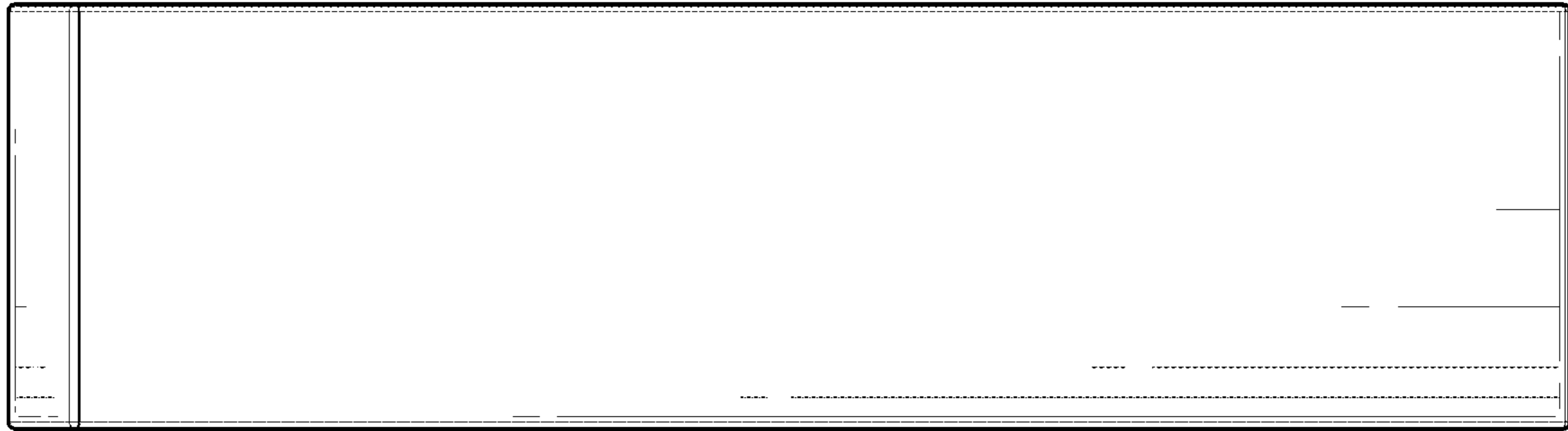


Fig. 6

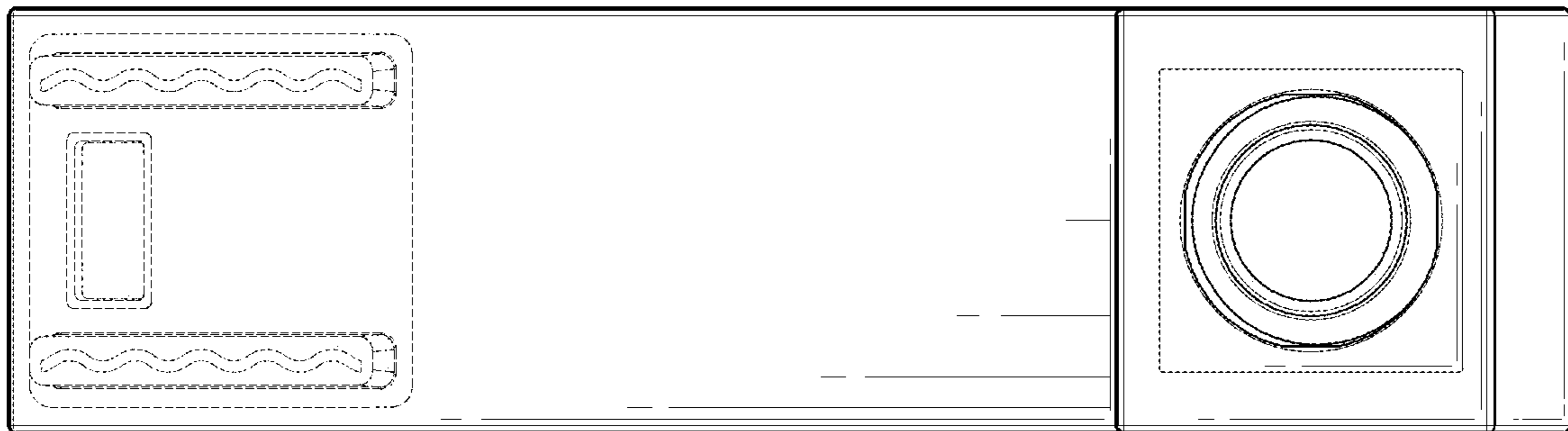


Fig. 7

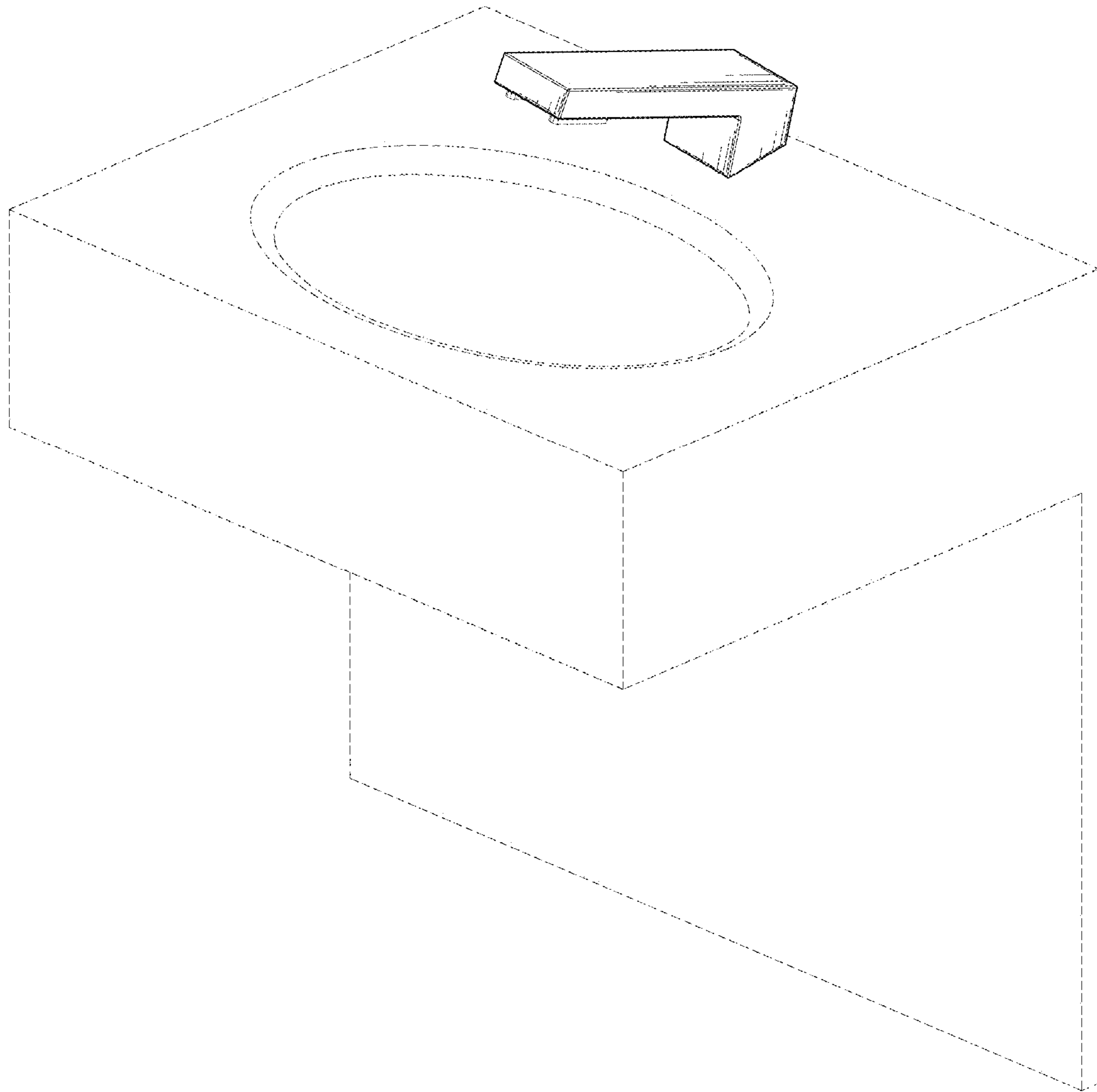


Fig. 8