



US00D953641S

(12) **United States Design Patent** (10) **Patent No.:** **US D953,641 S**
Van Roosmalen et al. (45) **Date of Patent:** **** May 31, 2022**

(54) **SHAVER**

(56) **References Cited**

(71) Applicant: **KONINKLIJKE PHILIPS N.V.**,
Eindhoven (NL)

(72) Inventors: **Jos Van Roosmalen**, Amsterdam (NL);
Frank Verbrugge, Rosmalen (NL);
Jens Andersson, Amsterdam (NL);
Roel Krooshof, Bilthoven (NL); **Simon**
Van Anken, Amsterdam (NL); **Peter**
Gal, Amsterdam (NL); **Lieven**
Adriaenssen, Vilvoorde (BE); **Roshan**
Hakim, Utrecht (NL); **Mingshuo**
Zhang, Amstelveen (NL)

U.S. PATENT DOCUMENTS

8,230,601 B2 * 7/2012 Shimizu B26B 19/14
30/43.4
D777,376 S * 1/2017 Frankel D28/50
D902,486 S * 11/2020 Andersson D28/50
10,836,057 B2 * 11/2020 Godlieb B26B 19/141
D912,902 S * 3/2021 Andersson D28/50
D914,290 S * 3/2021 Kulshreshtha D28/50
D932,698 S * 10/2021 Van Roosmalen D28/50
D932,700 S * 10/2021 Van Roosmalen D28/50
D933,894 S * 10/2021 Van Roosmalen D28/50
D935,697 S * 11/2021 Prat-Pfister D28/50
2009/0320295 A1 * 12/2009 Shimizu B26B 19/145
30/43.6
2017/0008179 A1 * 1/2017 Shimizu B26B 19/36

(73) Assignee: **KONINKLIJKE PHILIPS N.V.**,
Eindhoven (NL)

* cited by examiner

(**) Term: **15 Years**

Primary Examiner — Jennifer Rivard
Assistant Examiner — Alison M Ofstun

(21) Appl. No.: **29/756,525**

(57) **CLAIM**

(22) Filed: **Oct. 29, 2020**

The ornamental design for a shaver, as shown.

(30) **Foreign Application Priority Data**

DESCRIPTION

Apr. 29, 2020 (EM) 007845805

(51) **LOC (13) Cl.** **28-03**

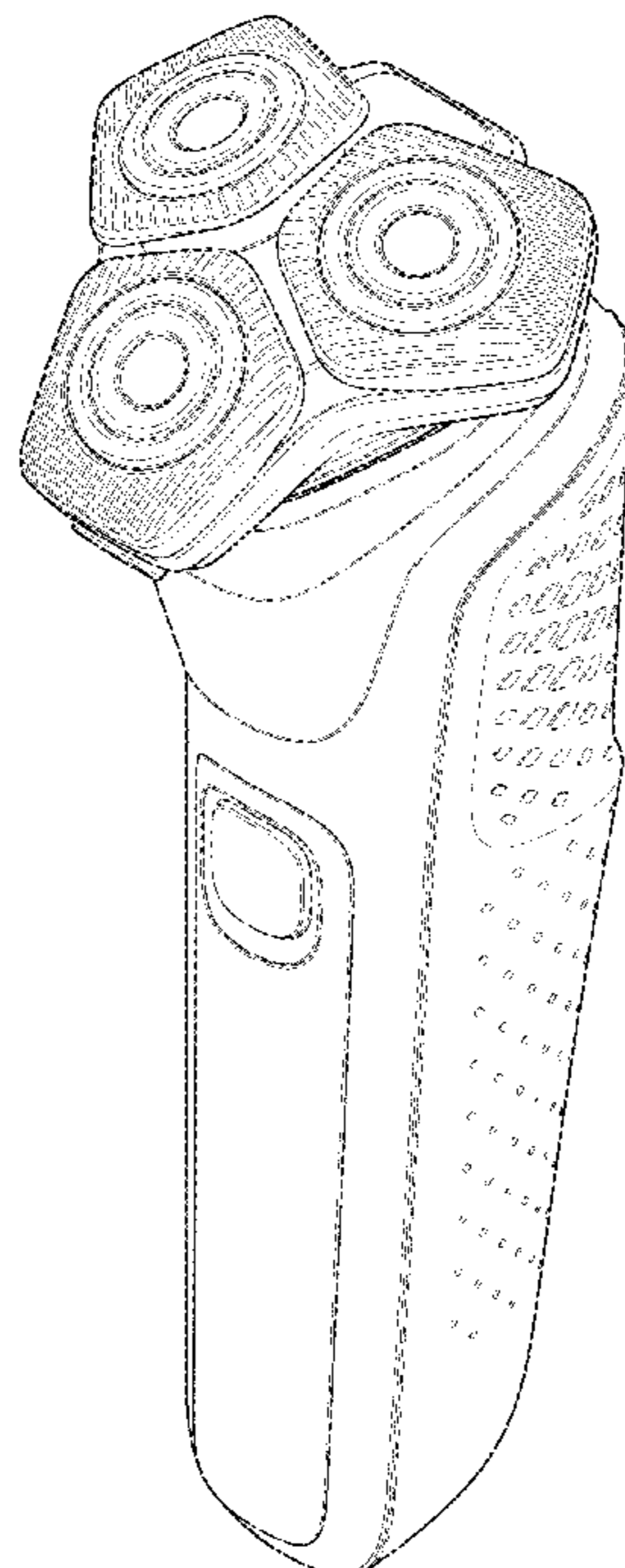
(52) **U.S. Cl.**
USPC **D28/50**

(58) **Field of Classification Search**
USPC D28/49-54, 56-59
CPC B26B 19/00; B26B 19/12; B26B 19/14;
B26B 19/28; B26B 19/38; B26B 19/384;
B26B 19/3853

FIG. 1 is a perspective view of a shaver, showing our new design;
FIG. 2 is a front elevational view thereof;
FIG. 3 is a rear elevational view thereof;
FIG. 4 is a right side elevational view thereof;
FIG. 5 is a left side elevational view thereof;
FIG. 6 is a top plan view thereof; and,
FIG. 7 is a bottom plan view thereof.
In the drawings, the broken lines illustrate portions of the shaver that form no part of the claimed design.

See application file for complete search history.

1 Claim, 6 Drawing Sheets



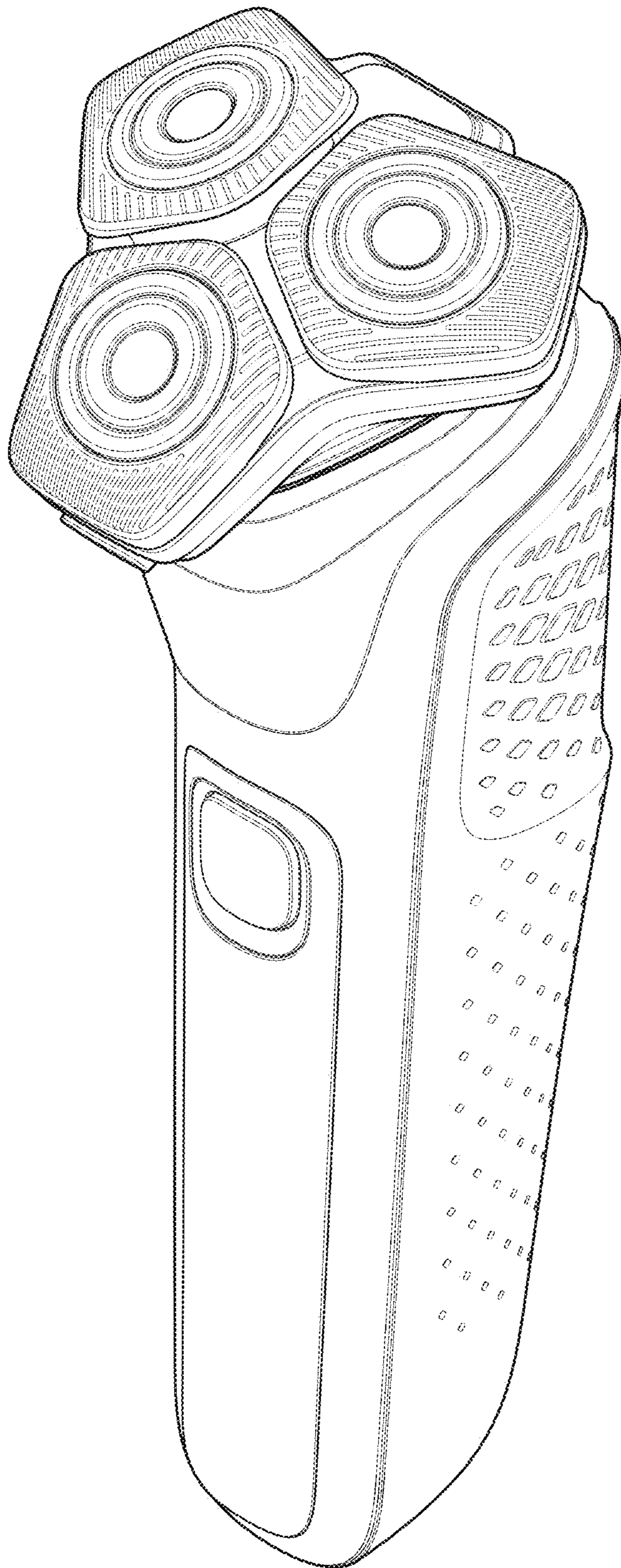


FIG. 1

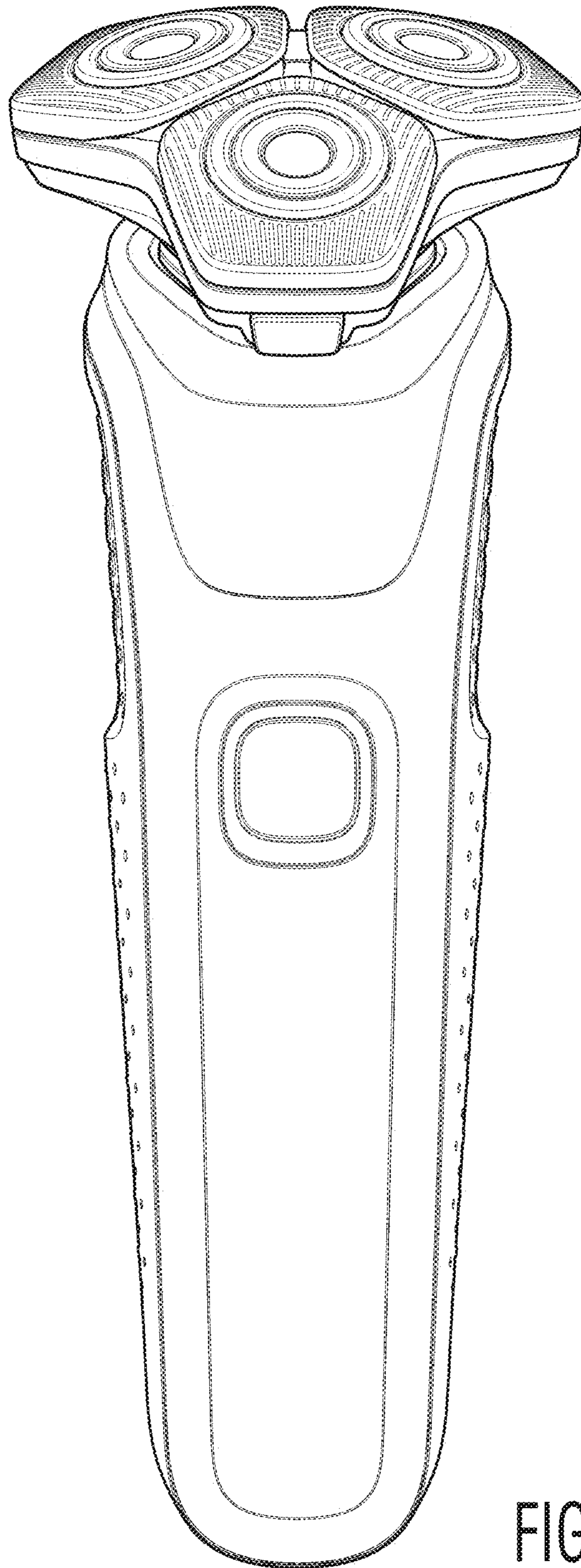


FIG. 2

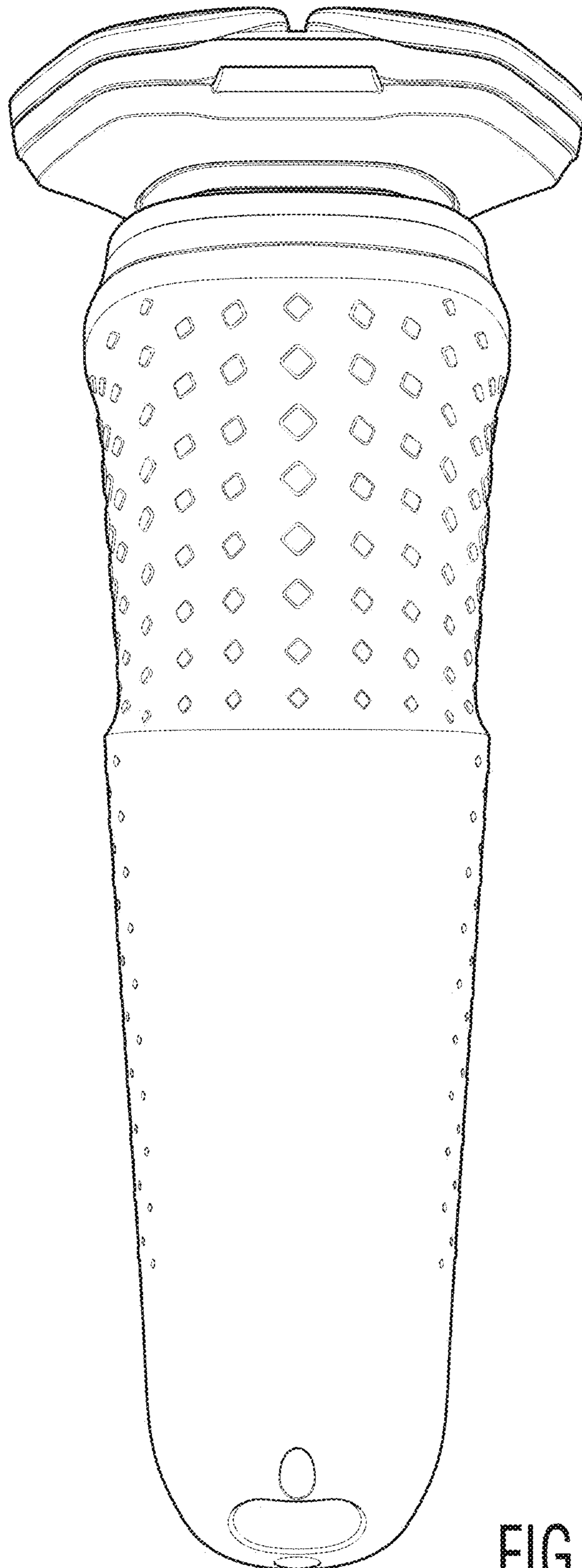


FIG. 3

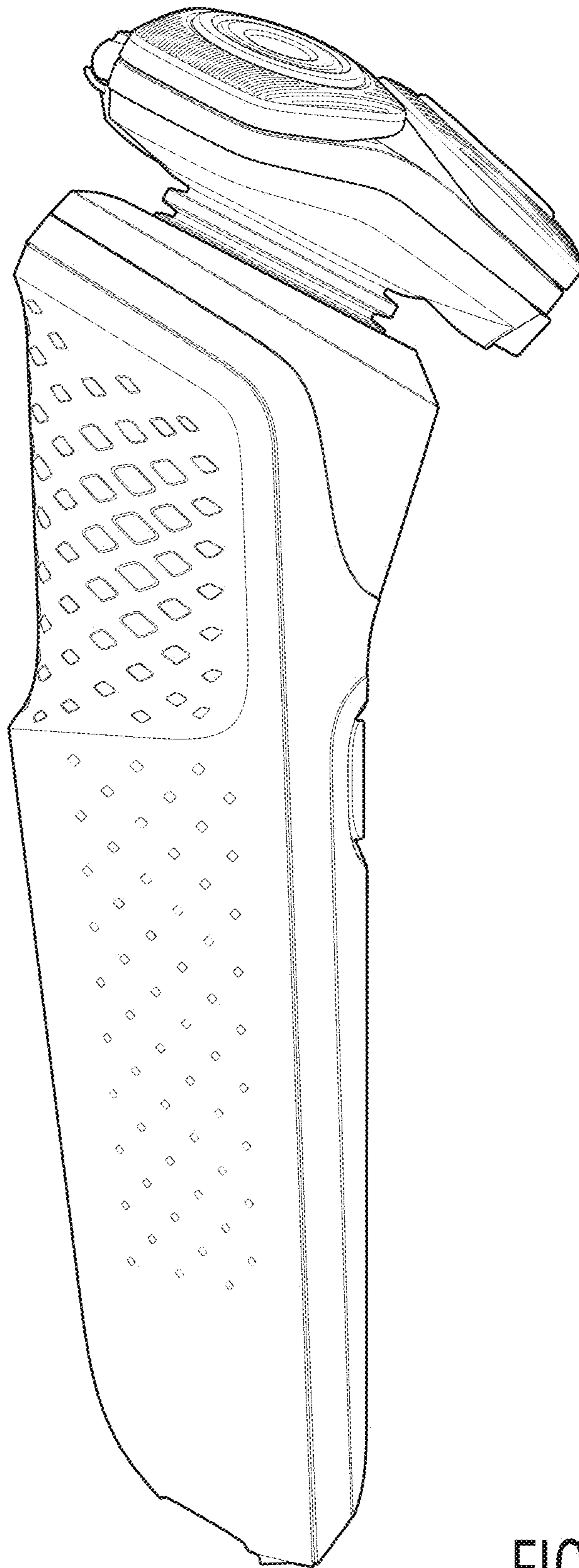


FIG. 4

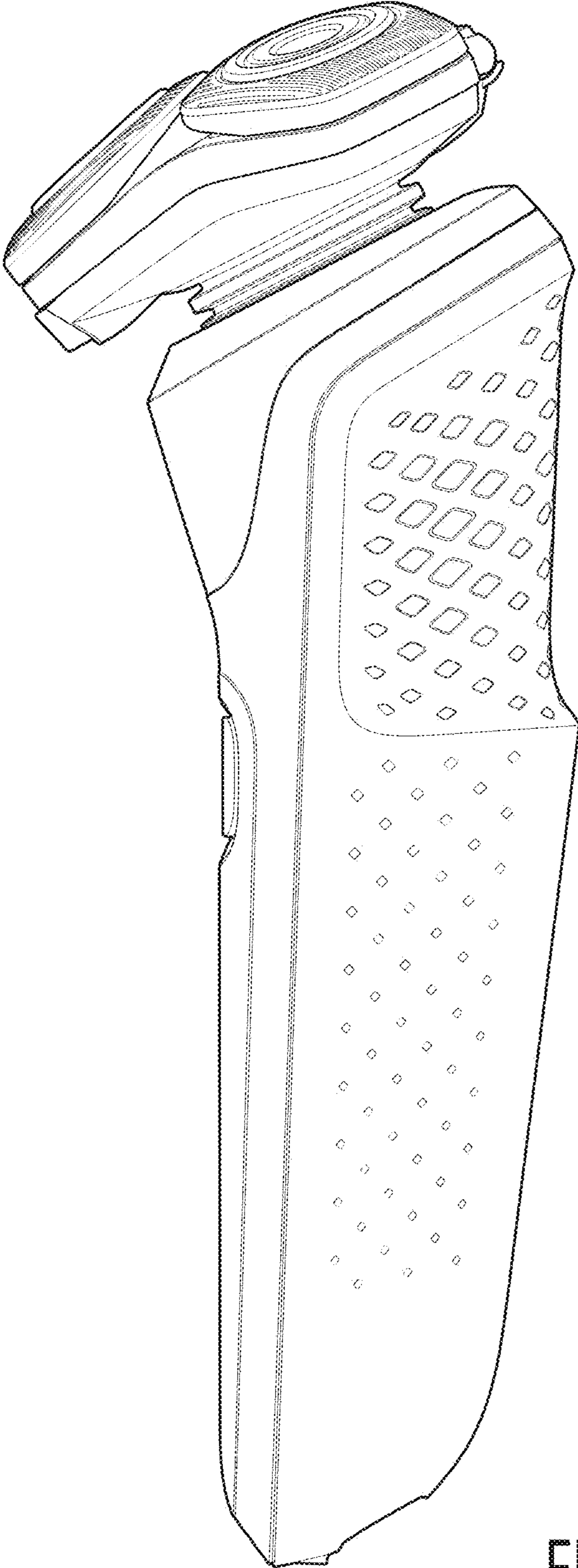


FIG. 5

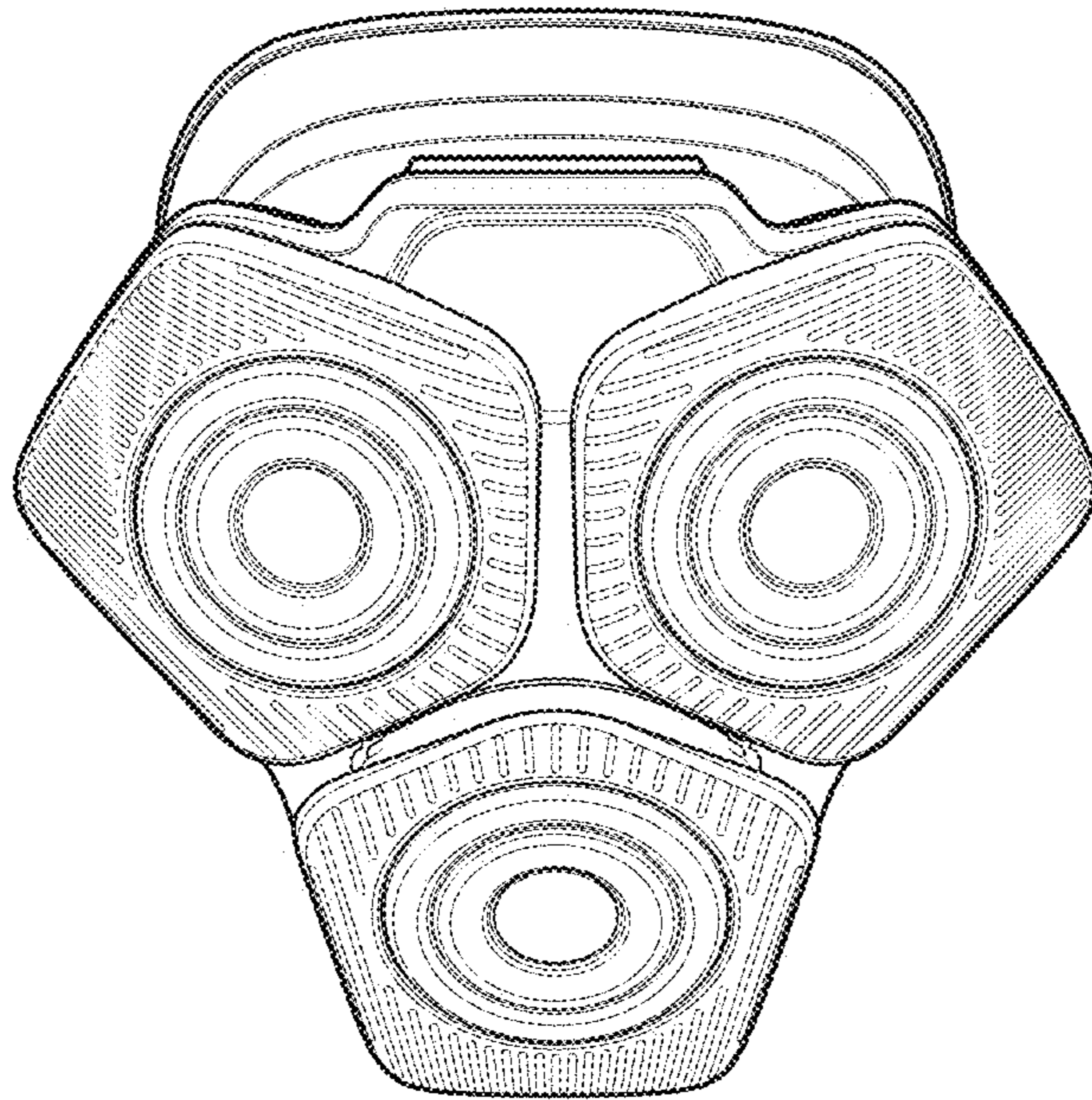


FIG. 6

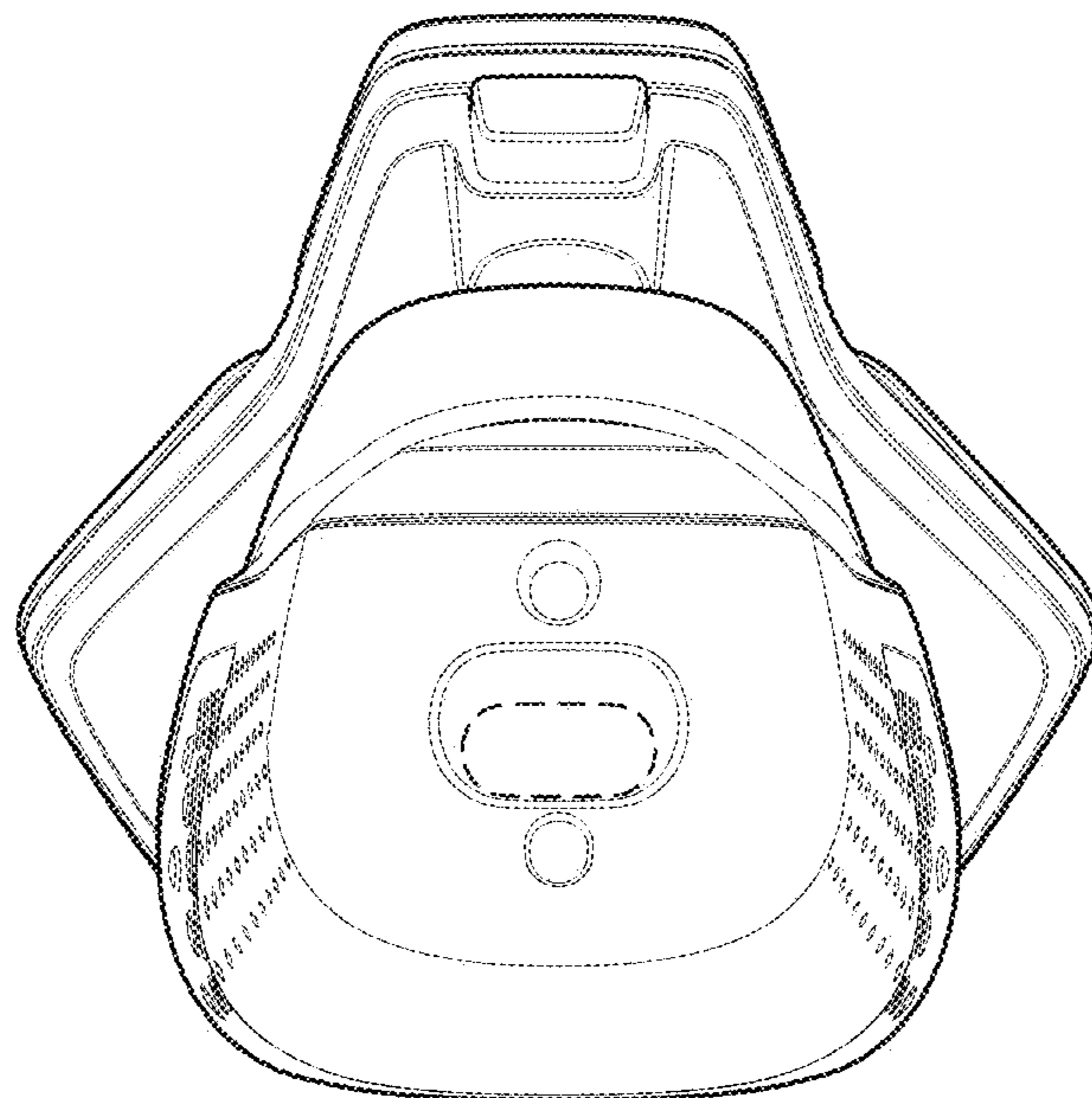


FIG. 7