



US00D953640S

(12) **United States Design Patent** (10) **Patent No.:** **US D953,640 S**  
**Desmarais et al.** (45) **Date of Patent:** **\*\* May 31, 2022**

(54) **RAZOR HANDLE**

(71) Applicant: **ATHENA CLUB HOLDINGS, INC.**,  
New York, NY (US)

(72) Inventors: **Charles Desmarais**, New York, NY (US); **Maria Markina**, New York, NY (US); **Christopher Nicholas Hibmacronan**, Oakland, CA (US); **Joshua Morenstein**, San Francisco, CA (US); **Jean Soo Hyun**, San Francisco, CA (US)

(73) Assignee: **ATHENA CLUB HOLDINGS, INC.**,  
New York, NY (US)

(\*\*) Term: **15 Years**

(21) Appl. No.: **29/760,901**

(22) Filed: **Dec. 4, 2020**

(51) **LOC (13) Cl.** ..... **28-03**

(52) **U.S. Cl.**  
USPC ..... **D28/48**

(58) **Field of Classification Search**  
USPC ..... D28/45-51, 99; D24/146, 147  
CPC ..... B26B 21/00; B26B 21/08; B26B 21/14;  
B26B 21/40; B26B 21/44; B26B 21/52;  
B26B 21/528  
See application file for complete search history.

(56) **References Cited**

**U.S. PATENT DOCUMENTS**

|             |         |                     |
|-------------|---------|---------------------|
| 1,432,822 A | 10/1922 | Wood                |
| 2,385,859 A | 10/1945 | Jacobson            |
| 2,414,653 A | 1/1947  | Lookholder          |
| 2,635,843 A | 4/1953  | Small               |
| 2,639,880 A | 5/1953  | Belloff et al.      |
| 2,642,999 A | 6/1953  | McPherson           |
| 2,705,834 A | 4/1955  | Lundy               |
| 2,960,237 A | 11/1960 | McEnergy            |
| 2,966,992 A | 1/1961  | Dunkelberger et al. |

|             |         |               |
|-------------|---------|---------------|
| 3,007,568 A | 11/1961 | Kurland       |
| 3,031,757 A | 5/1962  | Kramer        |
| 3,159,372 A | 12/1964 | McIntosh      |
| 3,171,176 A | 3/1965  | Shirley       |
| 3,229,820 A | 1/1966  | Hentzi et al. |

(Continued)

**FOREIGN PATENT DOCUMENTS**

GB 2218368 11/1989

*Primary Examiner* — Jennifer Rivard  
*Assistant Examiner* — Alison M Ofstun

(74) *Attorney, Agent, or Firm* — ReavesColey PLLC

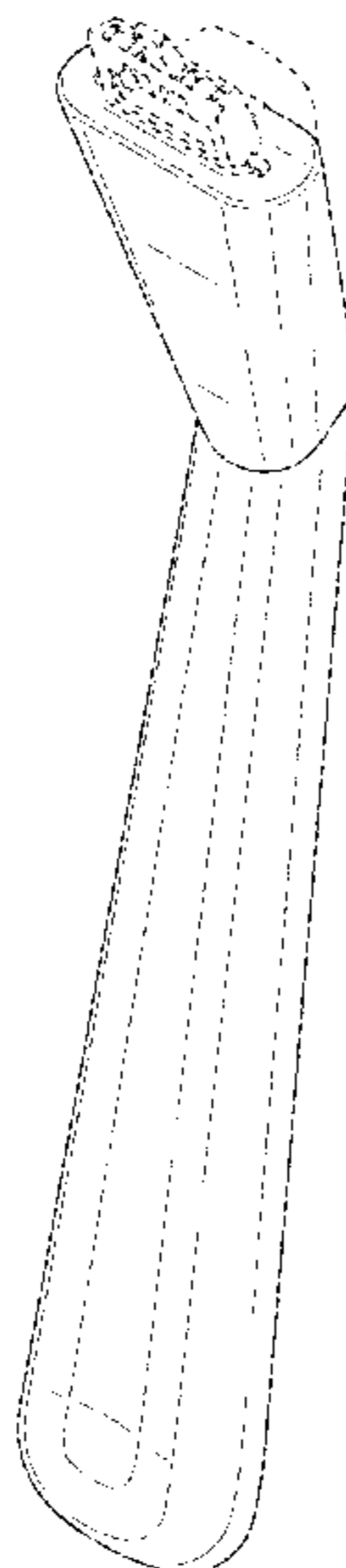
(57) **CLAIM**

The ornamental design for a razor handle, as shown and described.

**DESCRIPTION**

FIG. 1 is a front perspective view of a razor handle, showing our new design;  
FIG. 2 is a front view of the razor handle illustrated in FIG. 1;  
FIG. 3 is a rear view of the razor handle illustrated in FIG. 1;  
FIG. 4 is a left side view of the razor handle illustrated in FIG. 1;  
FIG. 5 is a right side view of the razor handle illustrated in FIG. 1;  
FIG. 6 is a top view of the razor handle illustrated in FIG. 1;  
FIG. 7 is a bottom view of the razor handle illustrated in FIG. 1; and,  
FIG. 8 is a front perspective view of the razor handle of FIG. 1; shown in an environment of use.  
In FIGS. 1-6 the broken lines illustrate portions of the razor handle that form no part of the claimed design. In FIG. 8, the broken line showing of a razor head illustrates environmental subject matter and forms no part of the claimed design.

**1 Claim, 8 Drawing Sheets**



(56)

References Cited

U.S. PATENT DOCUMENTS

3,239,178 A 3/1966 Pompa  
 3,337,100 A 8/1967 Berning  
 3,472,391 A 10/1969 Bolognesi  
 D235,150 S 5/1975 Terman  
 4,198,745 A 4/1980 Moehlenpah  
 4,644,645 A 2/1987 Audet  
 4,830,321 A 5/1989 Irie  
 5,064,159 A 11/1991 Kotick  
 5,083,733 A 1/1992 Marino et al.  
 5,163,566 A 11/1992 Hempel  
 5,347,717 A \* 9/1994 Ts'ai ..... B26B 21/521  
 30/532  
 5,417,397 A 5/1995 Harnett  
 5,457,887 A 10/1995 Grange  
 5,615,858 A 4/1997 Sferruzza, Jr.  
 5,760,668 A 6/1998 Testa et al.  
 5,906,027 A \* 5/1999 Barous ..... A46B 7/04  
 16/114.1  
 5,918,369 A \* 7/1999 Apprille, Jr. .... B26B 21/4012  
 30/47  
 5,956,851 A \* 9/1999 Apprille, Jr. .... B26B 21/4062  
 30/47  
 6,076,790 A 6/2000 Richter  
 6,135,408 A 10/2000 Richter  
 6,367,126 B1 4/2002 Rivkin  
 6,415,517 B1 7/2002 Worrick, III  
 6,888,940 B1 5/2005 Deppen  
 7,040,024 B2 5/2006 Lukan et al.  
 7,163,181 B2 1/2007 Omps  
 7,219,430 B2 \* 5/2007 Fandrey ..... B26B 21/4062  
 30/45  
 7,310,035 B2 12/2007 Wooten  
 7,506,854 B2 3/2009 Lukan  
 7,654,003 B2 2/2010 Simms et al.

D615,248 S \* 5/2010 Rhoad ..... D28/48  
 D615,708 S \* 5/2010 Lukan ..... D28/48  
 D647,496 S 10/2011 Tung  
 8,185,998 B2 5/2012 Xu  
 8,205,846 B2 6/2012 Glunk  
 8,573,548 B2 11/2013 Kuhn et al.  
 D710,056 S \* 7/2014 Martin ..... D28/48  
 8,936,222 B1 1/2015 Bastian et al.  
 D722,197 S \* 2/2015 Helmbold ..... D28/44  
 9,560,923 B1 2/2017 Winnard  
 9,868,220 B2 \* 1/2018 Moffat ..... B26B 21/4043  
 9,999,981 B2 \* 6/2018 Bunnell ..... B26B 21/521  
 D822,279 S \* 7/2018 Newman ..... D28/48  
 D823,541 S \* 7/2018 Wertz ..... D28/46  
 10,104,950 B1 10/2018 Provost et al.  
 10,357,093 B2 7/2019 Atlason et al.  
 D857,991 S \* 8/2019 Atlason ..... D28/48  
 10,631,612 B2 4/2020 Atlason et al.  
 D900,394 S \* 10/2020 Bowker ..... D28/48  
 D901,775 S \* 11/2020 Bowker ..... D28/46  
 D926,375 S \* 7/2021 Riehle ..... D28/48  
 D933,890 S \* 10/2021 Randhawa ..... D28/46  
 D933,891 S \* 10/2021 Randhawa ..... D28/46  
 2002/0153863 A1 10/2002 Arndt  
 2003/0070998 A1 4/2003 Bulka  
 2004/0188576 A1 9/2004 Carnevali  
 2004/0200080 A1 10/2004 Lauri  
 2006/0032055 A1 2/2006 Simms et al.  
 2007/0220754 A1 9/2007 Barbaro et al.  
 2009/0056141 A1 3/2009 Barry et al.  
 2009/0184015 A1 7/2009 Ruppert  
 2010/0325904 A1 12/2010 West  
 2015/0320178 A1 11/2015 Fish  
 2017/0043492 A1 2/2017 Robertson et al.  
 2018/0079095 A1 3/2018 Robertson et al.  
 2020/0128938 A1 4/2020 Atlason et al.

\* cited by examiner

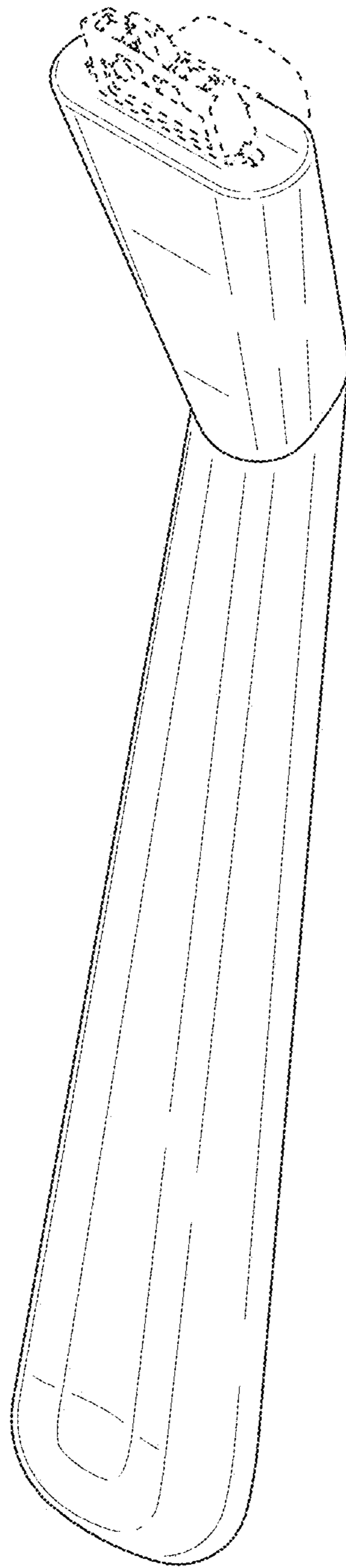


FIG. 1

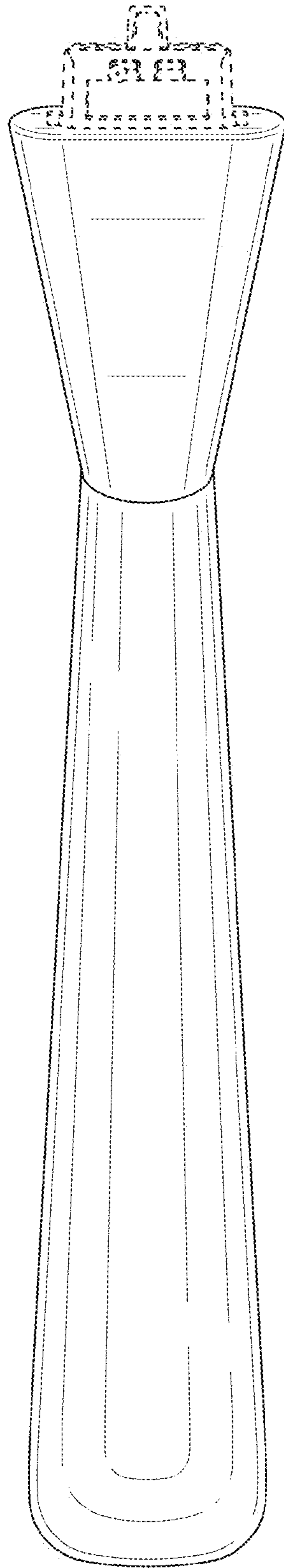


FIG. 2

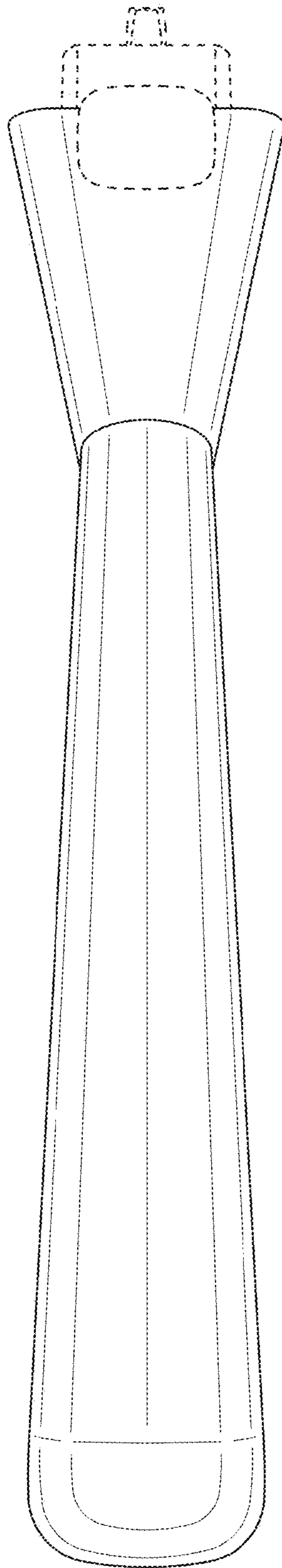


FIG. 3

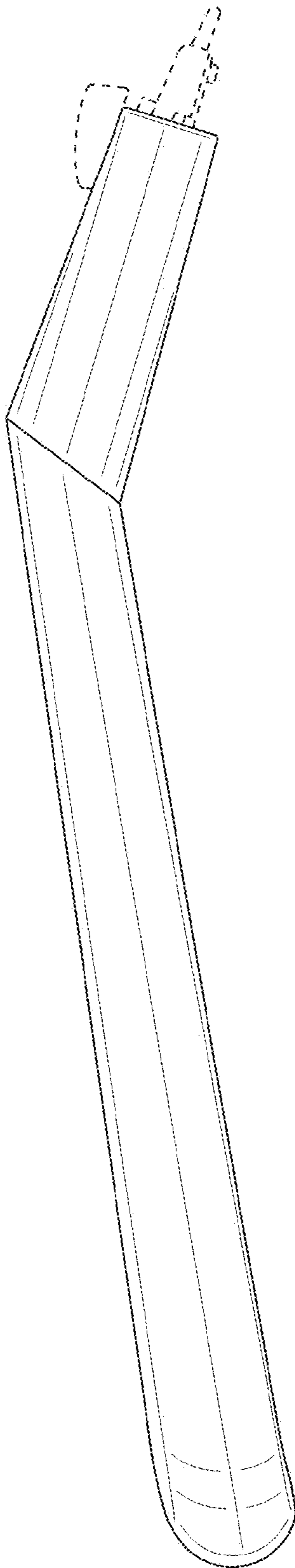


FIG. 4

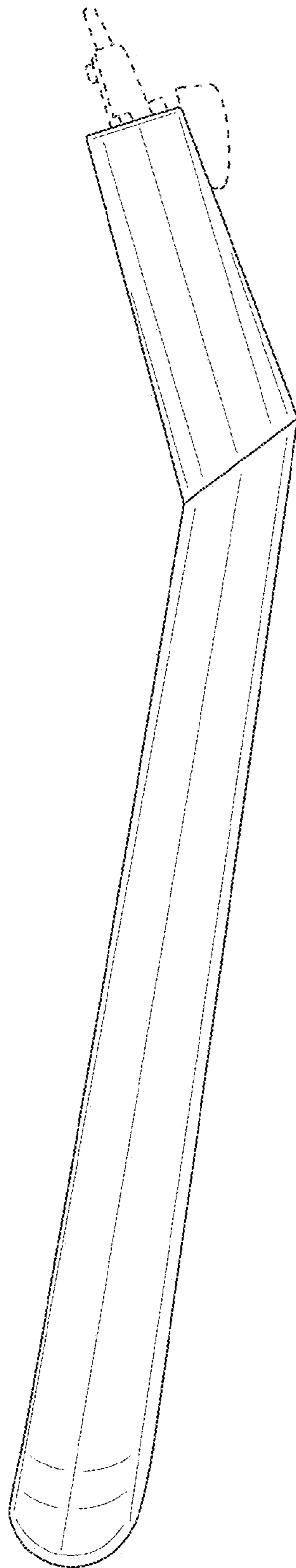


FIG. 5

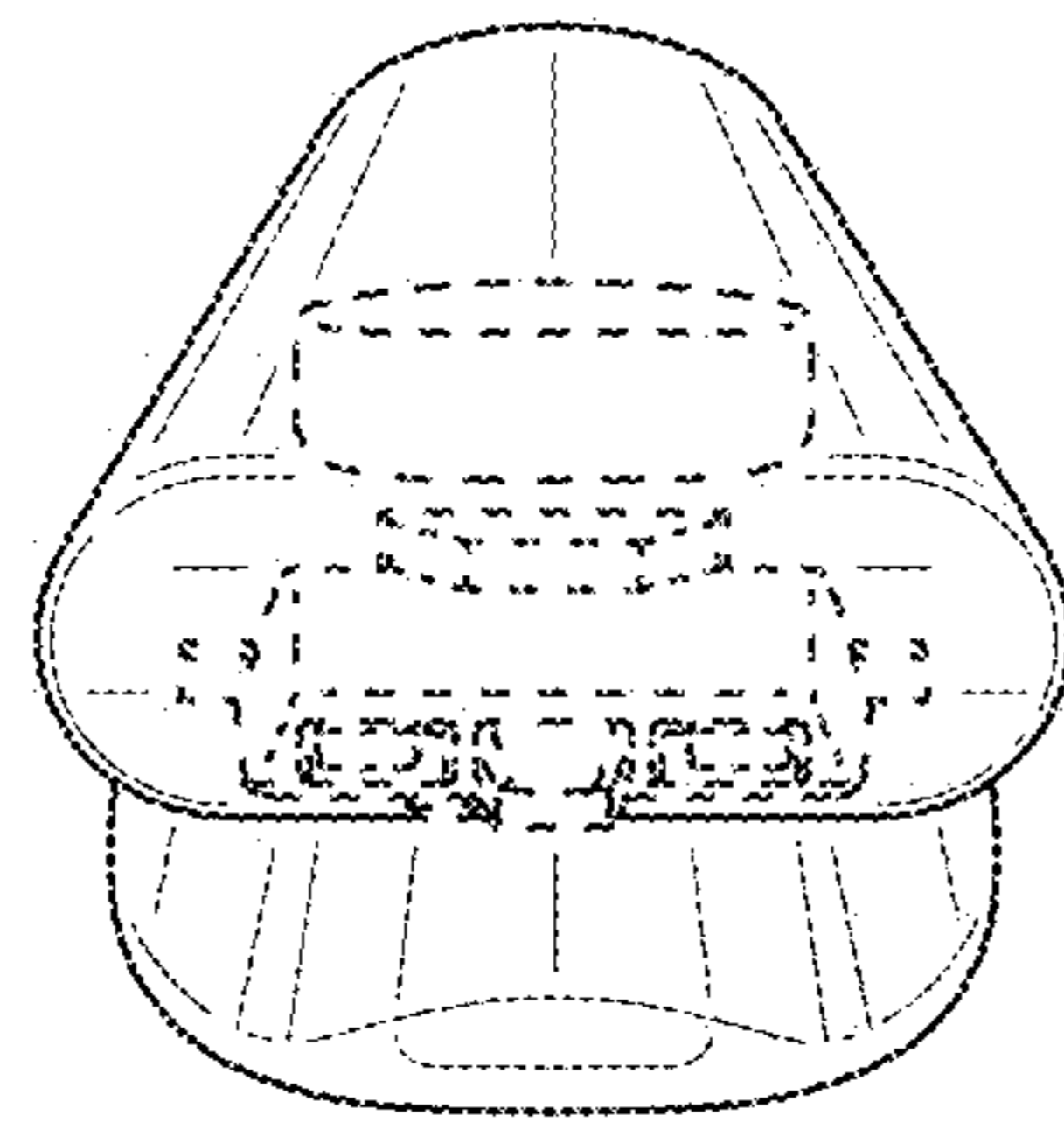


FIG. 6



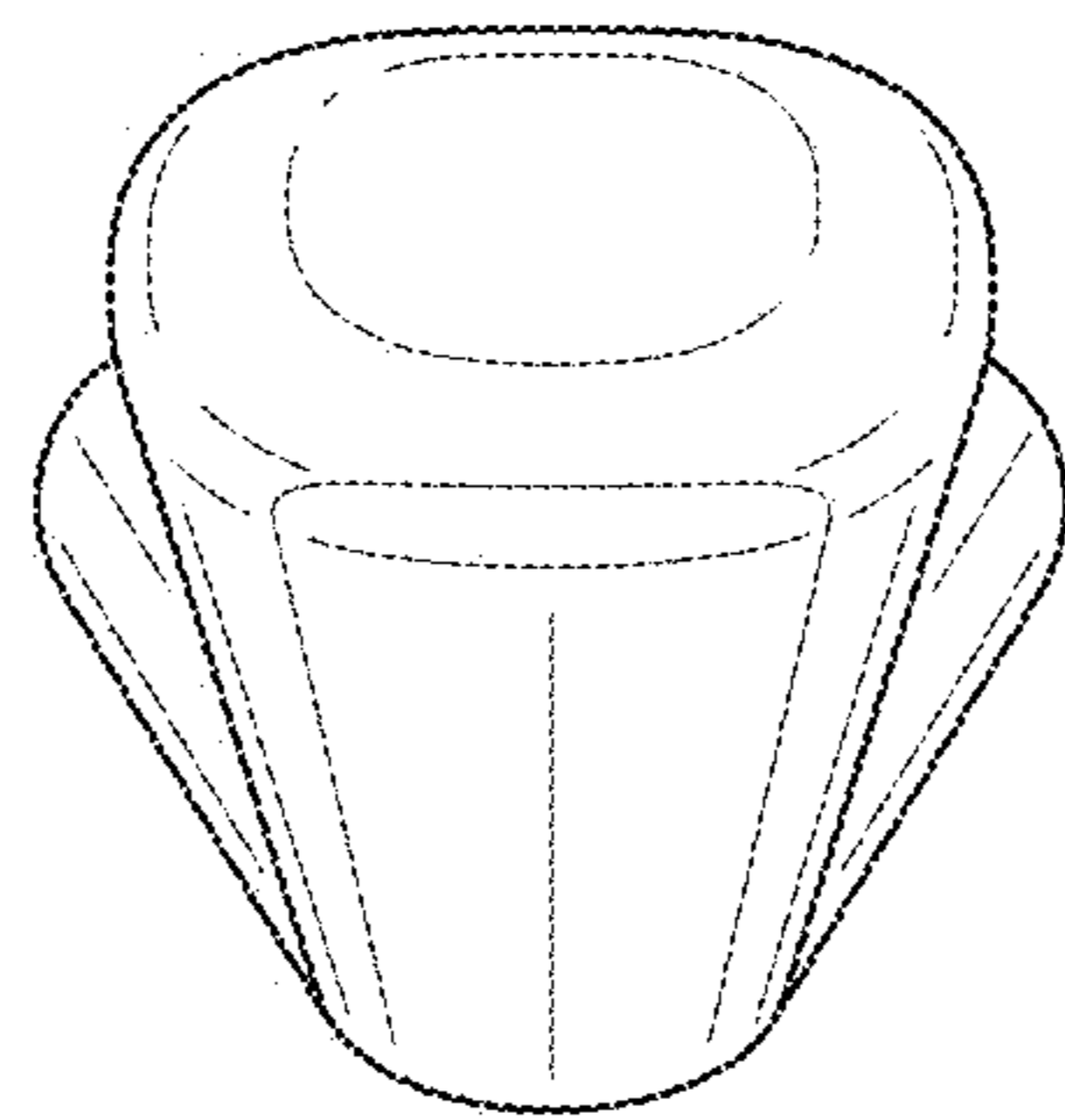


FIG. 7

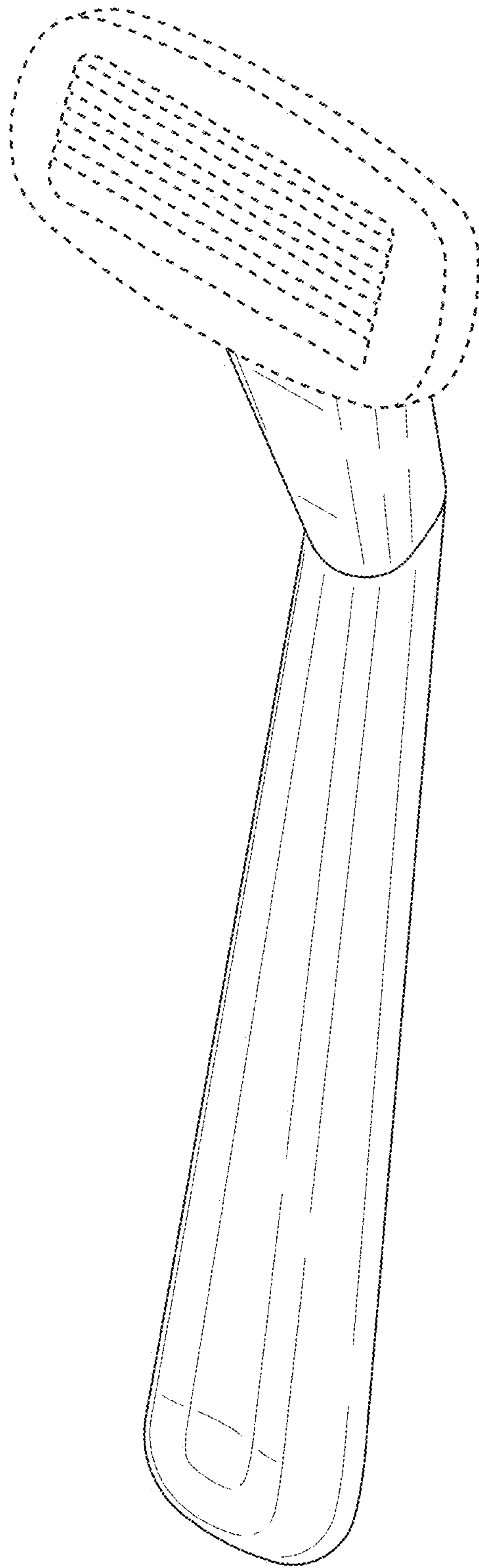


FIG. 8