



US00D953638S

(12) **United States Design Patent**
Tung

(10) **Patent No.:** **US D953,638 S**

(45) **Date of Patent:** **** May 31, 2022**

- (54) **FOLDING LASER COMB**
- (71) Applicant: **LECC TECHNOLOGY CO., LTD.**,
Taoyuan (TW)
- (72) Inventor: **Hsin-Chih Tung**, Kinmen County (TW)
- (73) Assignee: **LECC TECHNOLOGY CO., LTD.**,
Taoyuan (TW)
- (**) Term: **15 Years**
- (21) Appl. No.: **29/750,564**
- (22) Filed: **Sep. 15, 2020**

- D716,493 S * 10/2014 Michaels A45D 24/00
D28/30
- D788,366 S * 5/2017 Gordon D28/24
- D882,872 S * 4/2020 Park D28/23
- D924,483 S * 7/2021 Zhang D28/25
- 2017/0095051 A1* 4/2017 Yu A45D 24/04

* cited by examiner

Primary Examiner — Zenia I Bennett

(74) *Attorney, Agent, or Firm* — Li & Cai Intellectual
Property (USA) Office

(57) **CLAIM**

The ornamental design for a folding laser comb, as shown
and described.

(30) **Foreign Application Priority Data**

Mar. 19, 2020 (TW) 109301441

(51) **LOC (13) Cl.** **28-03**

(52) **U.S. Cl.**
USPC **D28/23**

(58) **Field of Classification Search**
USPC D28/7, 20–34; D30/158, 159
CPC A45D 24/00; A45D 24/005; A45D 24/02;
A45D 24/04; A45D 24/06; A45D 24/14;
A45D 24/22

See application file for complete search history.

(56) **References Cited**

U.S. PATENT DOCUMENTS

- D114,168 S * 4/1939 Berliner D28/23
- D269,820 S * 7/1983 Bisson D28/25
- D599,954 S * 9/2009 Michaels D28/30
- D613,908 S * 4/2010 Torres Martin D28/21
- D631,604 S * 1/2011 Michaels D28/30
- 8,752,559 B1 * 6/2014 Tsai A45D 24/22
132/109

DESCRIPTION

FIG. 1 is a front, right side and top perspective view of a
folding laser comb showing the claimed design in a closed
position;

FIG. 2 is a front elevational view thereof in a closed
position;

FIG. 3 is a rear elevational view thereof in a closed position;

FIG. 4 is a left side elevational view thereof in a closed
position;

FIG. 5 is a right side elevational view thereof in a closed
position;

FIG. 6 is a top plan view thereof in a closed position;

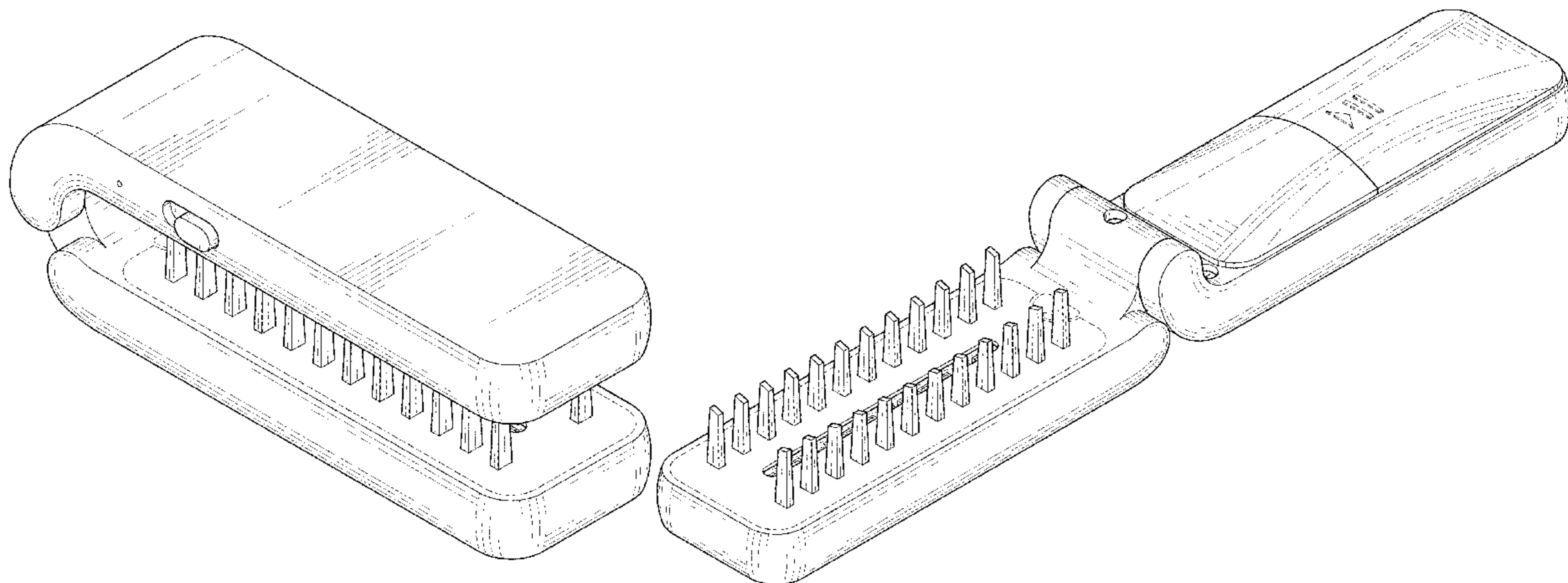
FIG. 7 is a bottom plan view thereof in a closed position;

FIG. 8 is a front and right side perspective view thereof in
a half-open position; and,

FIG. 9 is a rear and right side perspective view thereof in an
open position.

The dashed broken lines in the drawing depict portions of
the folding laser comb that form no part of the claimed
design.

1 Claim, 6 Drawing Sheets



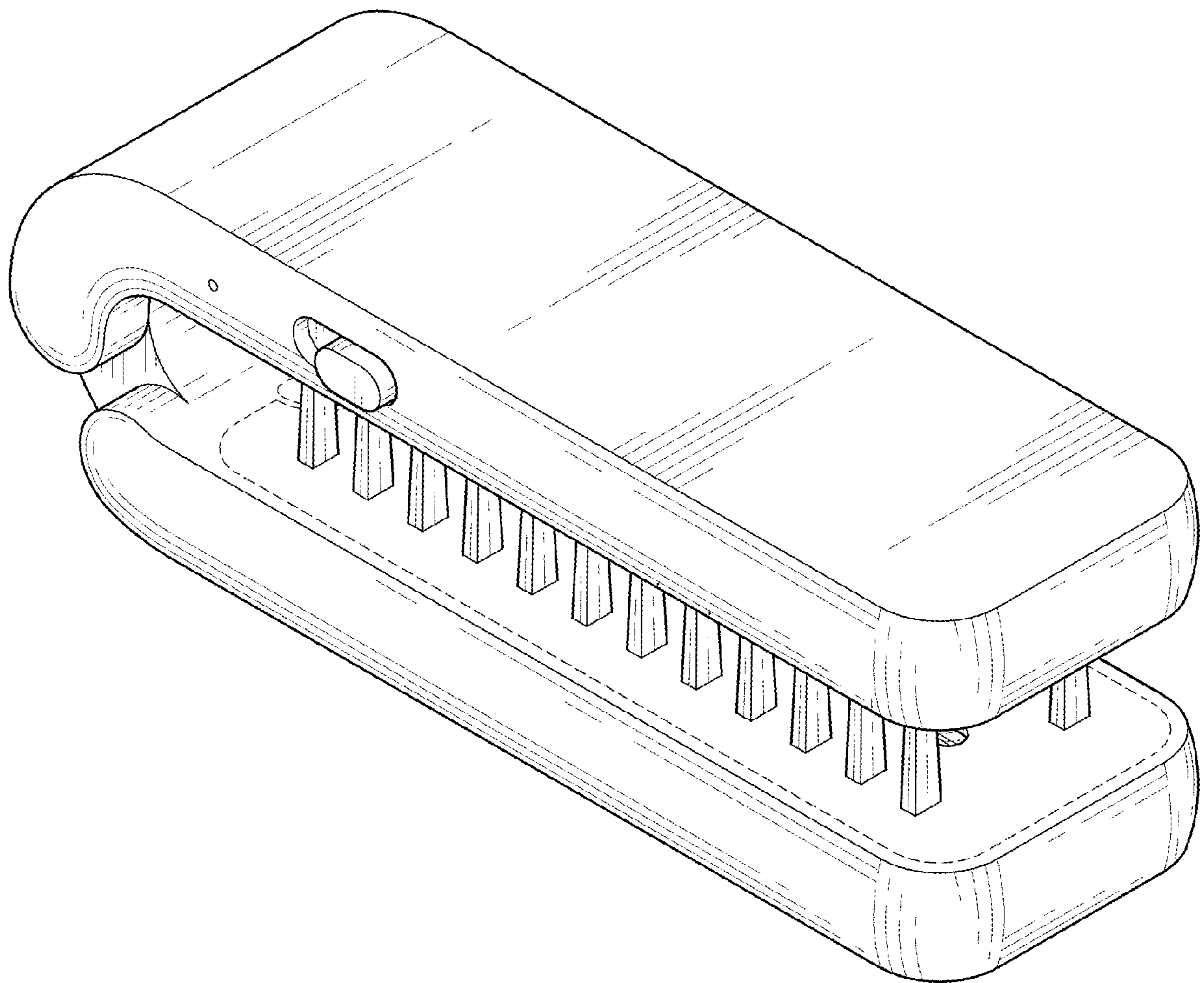


FIG. 1

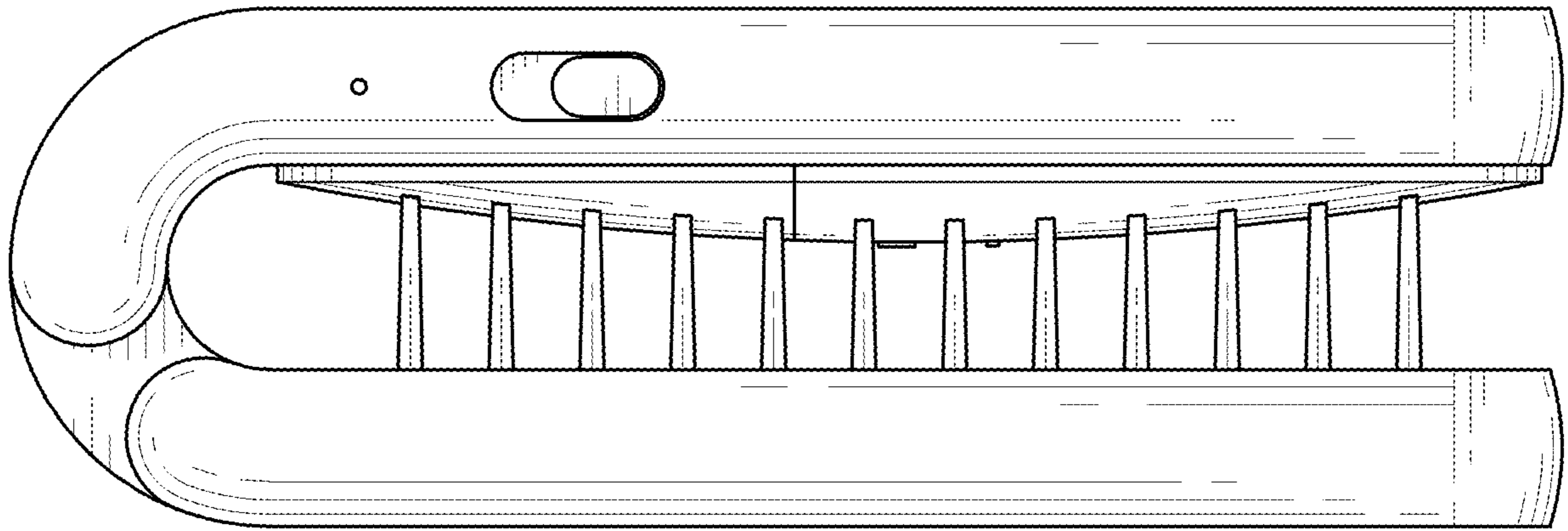


FIG. 2

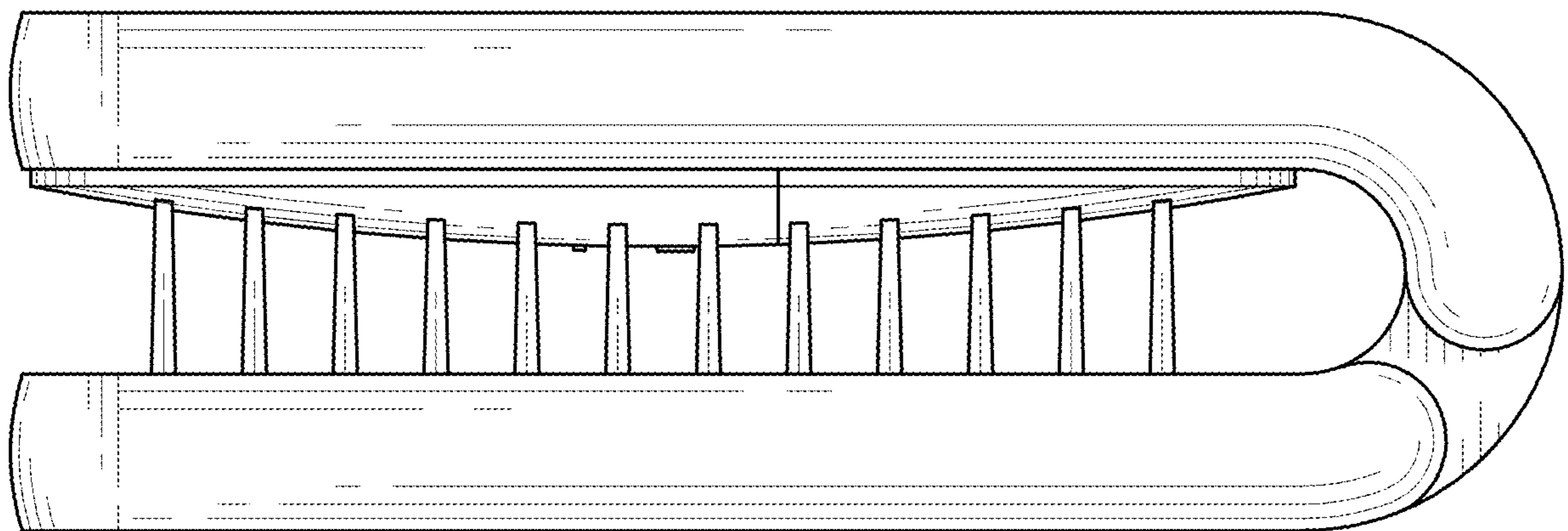


FIG. 3

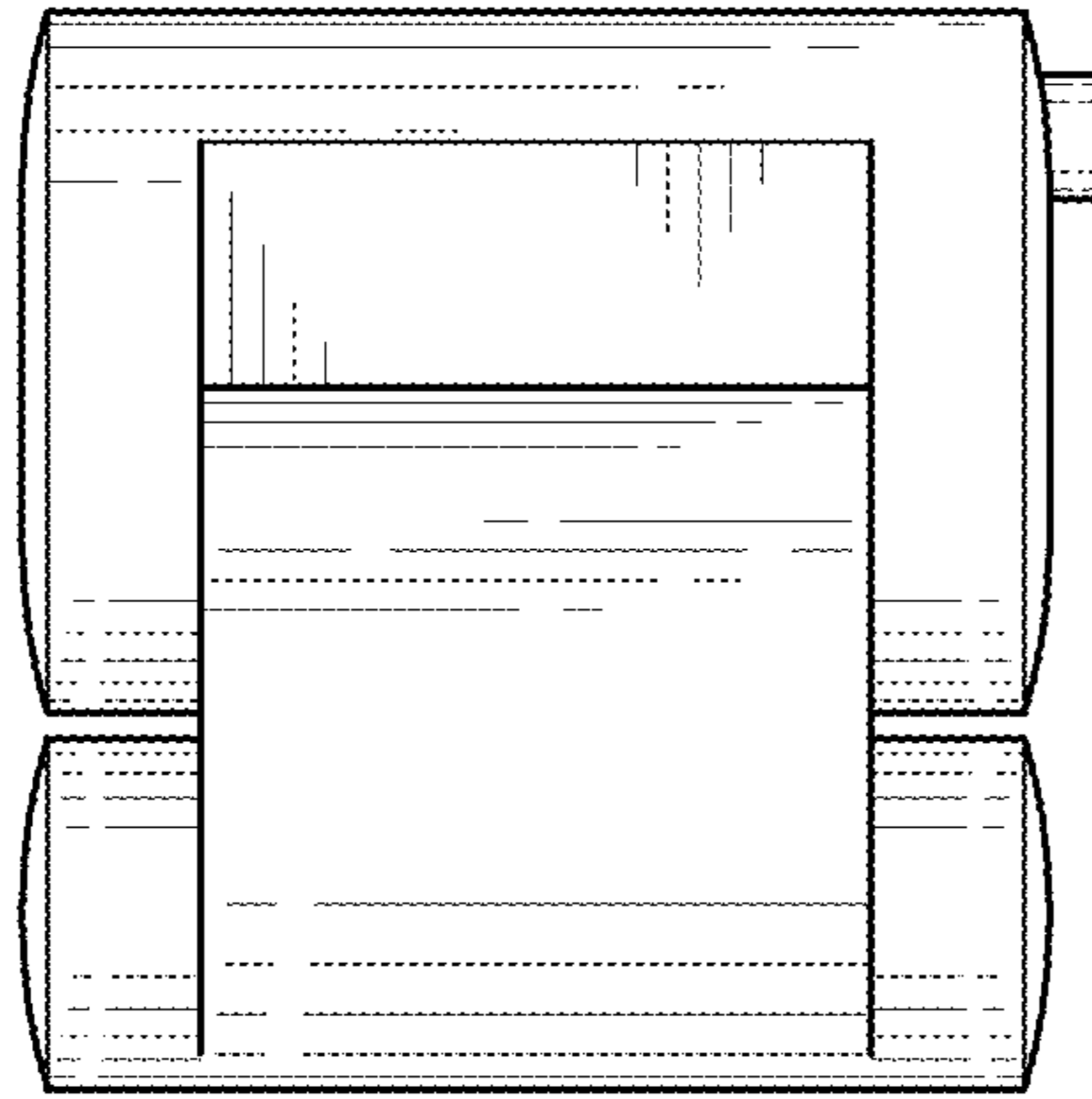


FIG. 4

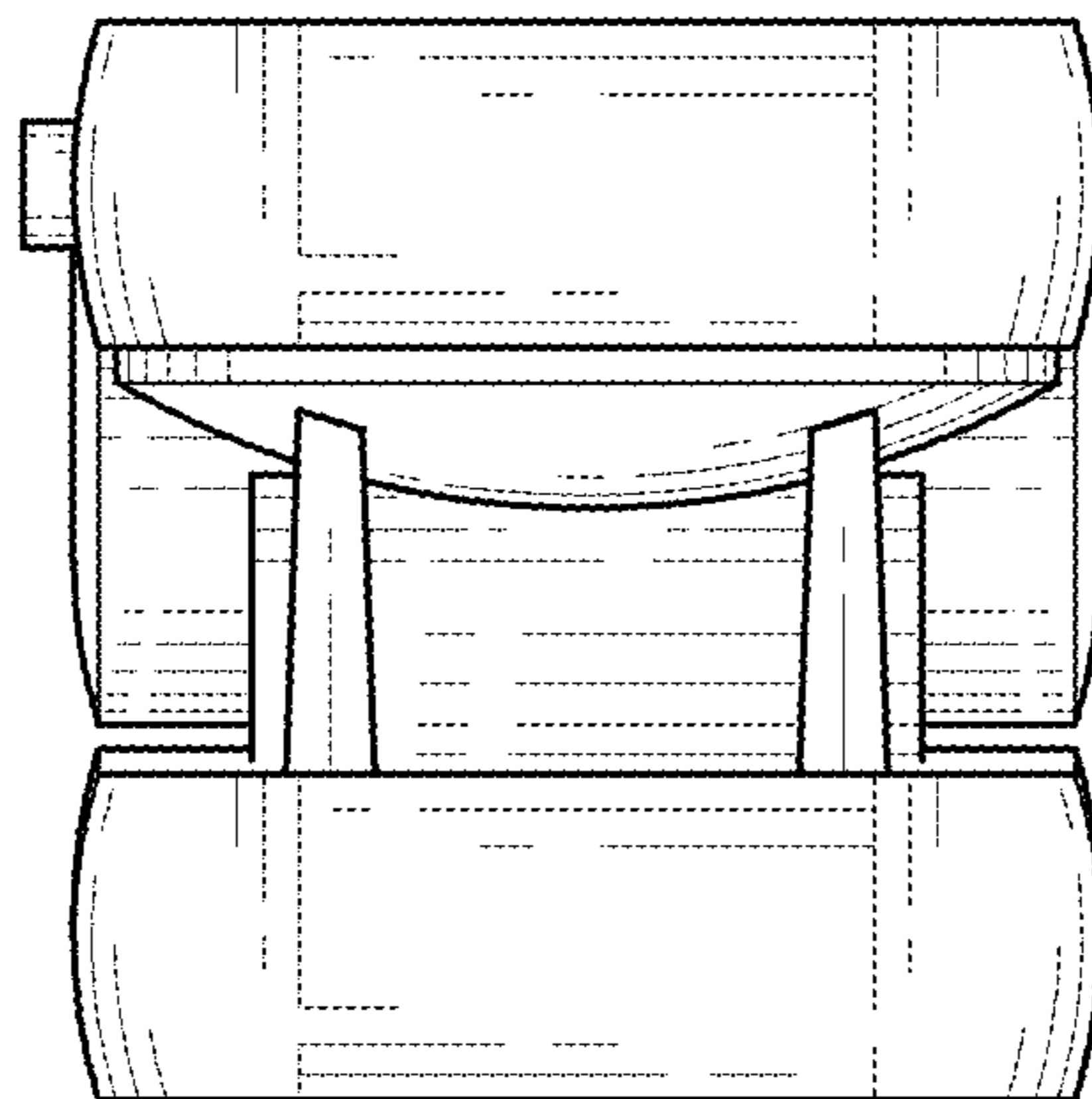


FIG. 5

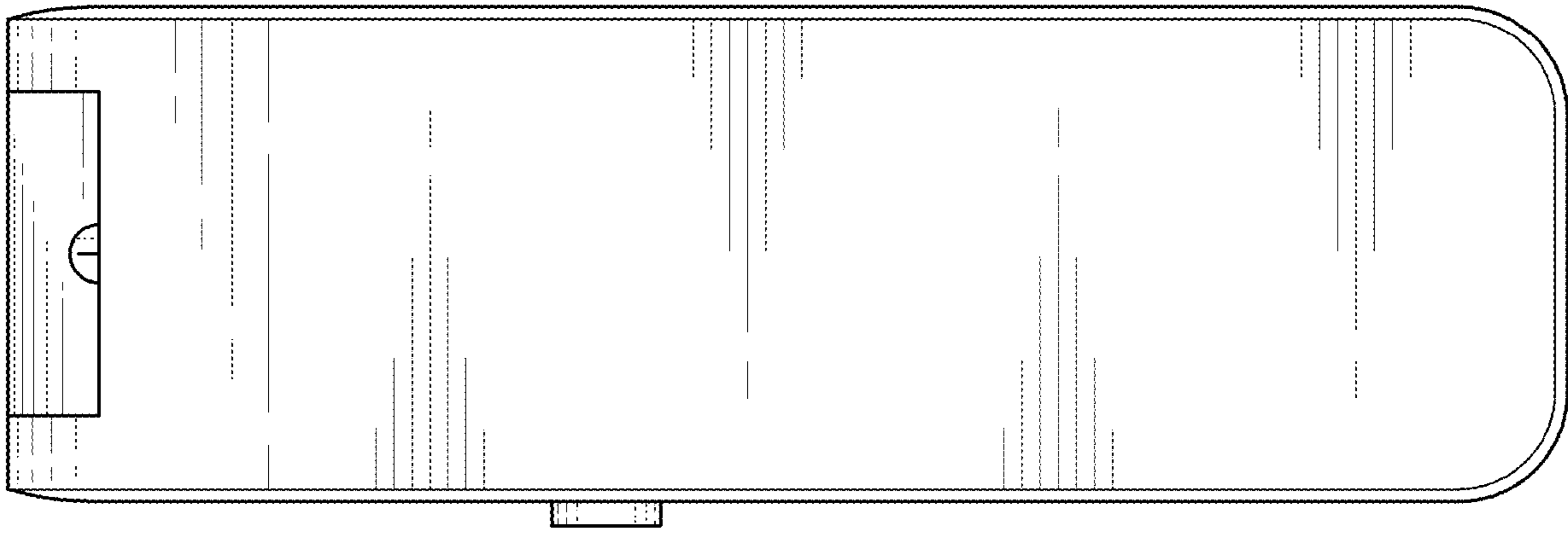


FIG. 6

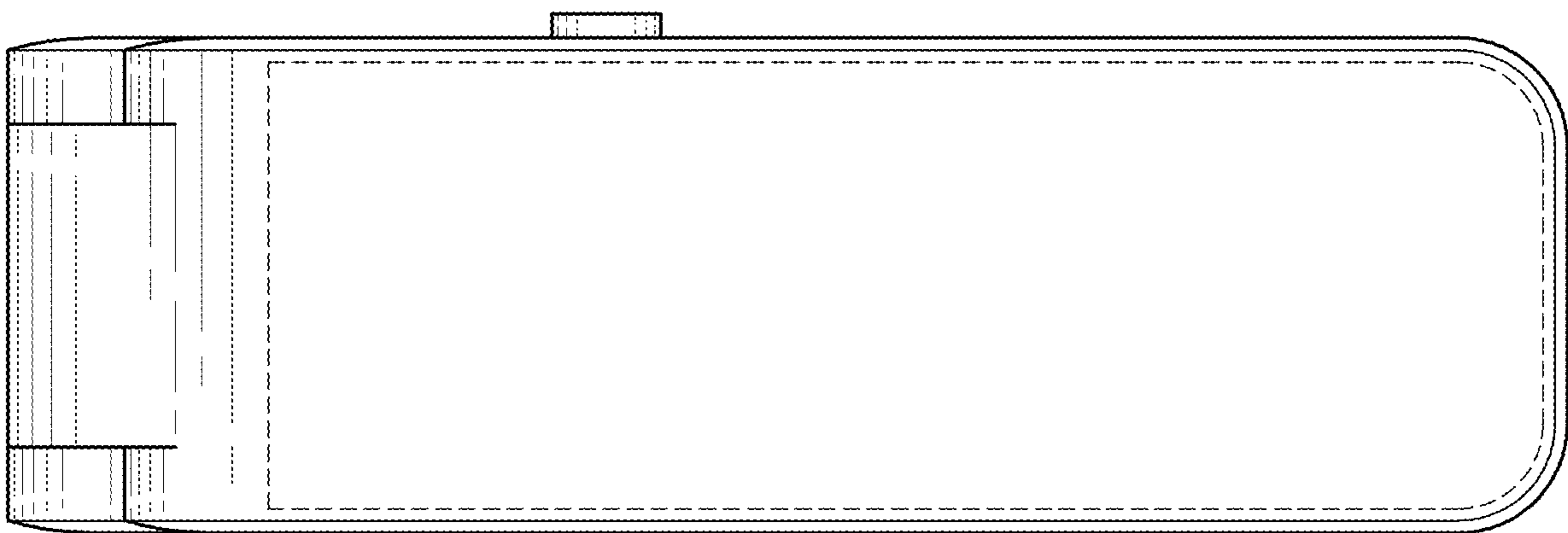


FIG. 7

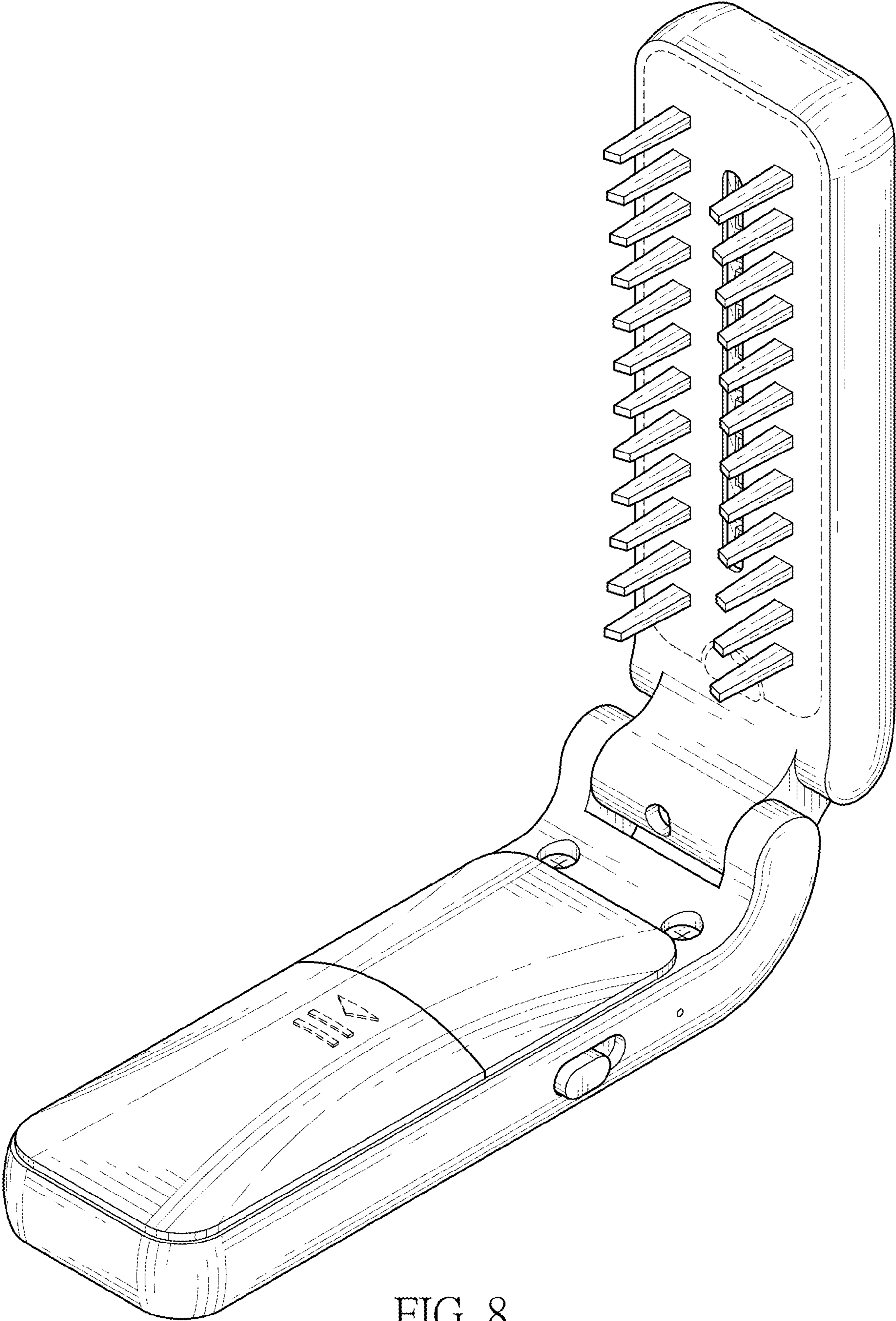


FIG. 8

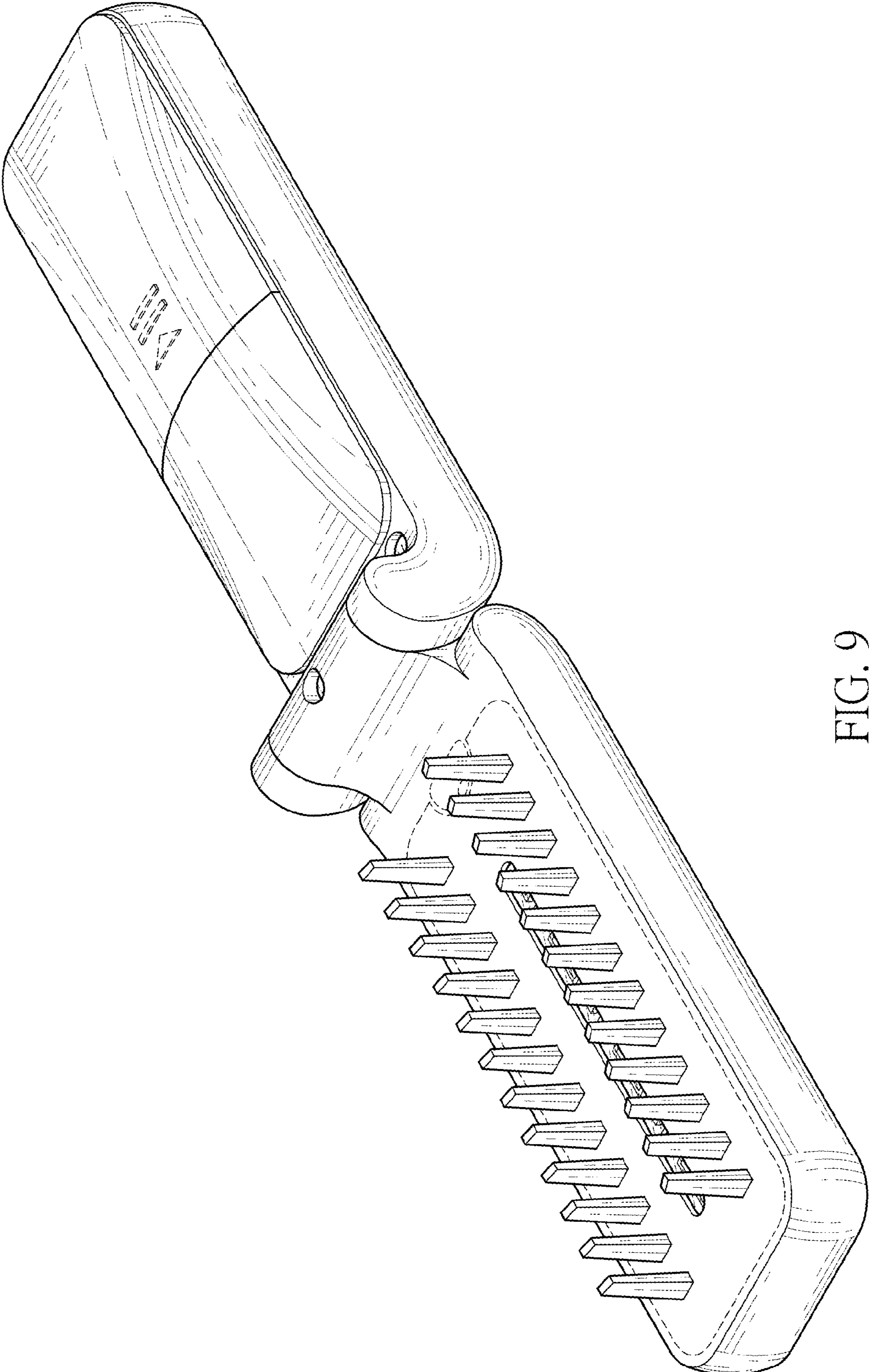


FIG. 9