



US00D953637S

(12) **United States Design Patent** (10) **Patent No.:** **US D953,637 S**
Colin (45) **Date of Patent:** **** *May 31, 2022**

(54) **HAIR STYLING APPARATUS**

(71) Applicant: **BABYLISS FACO SRL**, Wandre (BE)

(72) Inventor: **Nicolas Colin**, Awirs (BE)

(73) Assignee: **BABYLISS FACO SRL**, Wandre (BE)

(*) Notice: This patent is subject to a terminal disclaimer.

(**) Term: **15 Years**

(21) Appl. No.: **35/510,254**

(22) Filed: **Aug. 18, 2020**

(80) **Hague Agreement Data**

Int. Filing Date: **Aug. 18, 2020**

Int. Reg. No.: **DM/209974**

Int. Reg. Date: **Aug. 18, 2020**

Int. Reg. Pub. Date: **Sep. 4, 2020**

(30) **Foreign Application Priority Data**

Feb. 25, 2020 (EM) 007714498-0005

(51) **LOC (13) Cl.** **28-03**

(52) **U.S. Cl.**
USPC **D28/13**

(58) **Field of Classification Search**

USPC D28/10, 12-19, 35, 37, 38

CPC . A45D 7/06; A45D 2/001; A45D 1/04; A45D

7/04; A45D 20/12; A45D 1/28; A45D

2001/002; A45D 2007/001; A45D 20/10;

A45D 2/125; A45D 19/005; A45D

19/0066; A45D 1/00; A45D 1/06; A45D

2044/007; A45D 2200/25; A45D 2/146;

A45D 44/005; A45D 7/00; A45D 7/02;

A45D 19/00; A45D 19/012; A45D 1/10;

A45D 1/14; A45D 1/20; A45D 2001/004;

A45D 2001/008; A45D 2001/045; A45D

2002/003; A45D 2002/025; A45D

2007/005; A45D 20/00; A45D 20/04;

A45D 20/16; A45D 20/40; A45D
2200/00; A45D 2200/05; A45D 2200/202;
A45D 2200/205; A45D 24/00; A45D
2/00; A45D 2/002; A45D 2/02; A45D
2/18; A45D 2/20; A45D 2/46; A45D
44/02; A45D 44/04; A45D 44/14; A45D
6/00; A45D 8/00; A45D 8/008; A45D
8/34

See application file for complete search history.

(56) **References Cited**

U.S. PATENT DOCUMENTS

D476,160	S	*	6/2003	Choi	D4/121
D758,011	S	*	5/2016	Gammack	D28/13
D775,840	S	*	1/2017	Zastawny	D4/138
D865,285	S	*	10/2019	Liao	D28/13
D879,374	S	*	3/2020	Liao	D28/13
D890,425	S	*	7/2020	Liao	D28/13
D890,426	S	*	7/2020	Liao	D28/13
D899,092	S	*	10/2020	Hillebrecht	D4/100
D899,685	S	*	10/2020	Lin	D28/13
D904,687	S	*	12/2020	Xiong	D28/13

* cited by examiner

Primary Examiner — Khawaja Anwar

(57) **CLAIM**

The ornamental design for a hair styling apparatus, as shown and described.

DESCRIPTION

1. Hair styling apparatus

FIG. 1.1 is a perspective view of a hair styling apparatus, showing my new design;

FIG. 1.2 is a rear elevation view thereof;

FIG. 1.3 is a side elevation view thereof;

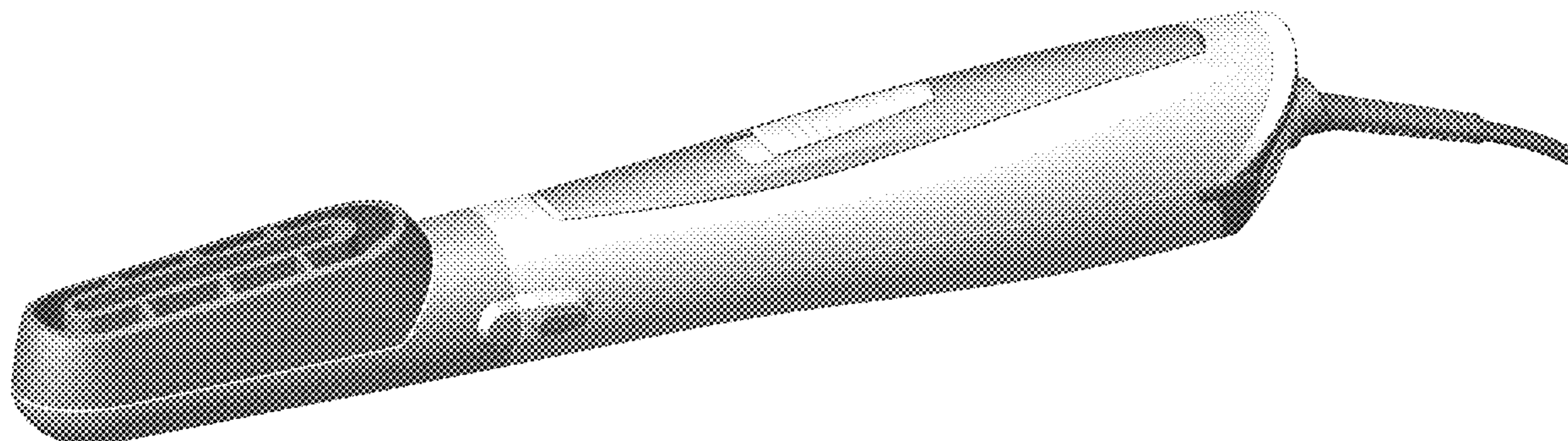
FIG. 1.4 is a front elevation view thereof;

FIG. 1.5 is another side elevation view thereof;

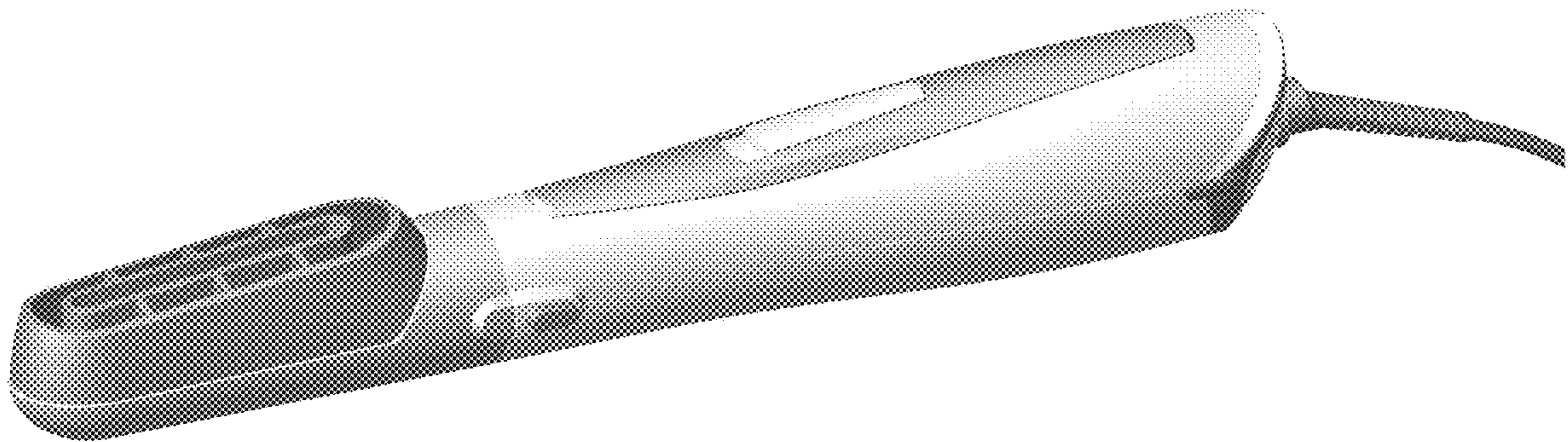
FIG. 1.6 is bottom plan view thereof; and

FIG. 1.7 is another perspective view thereof.

1 Claim, 7 Drawing Sheets



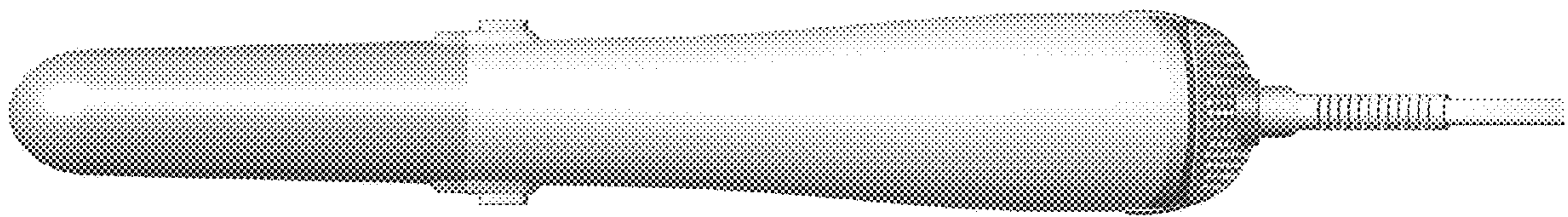
1.1



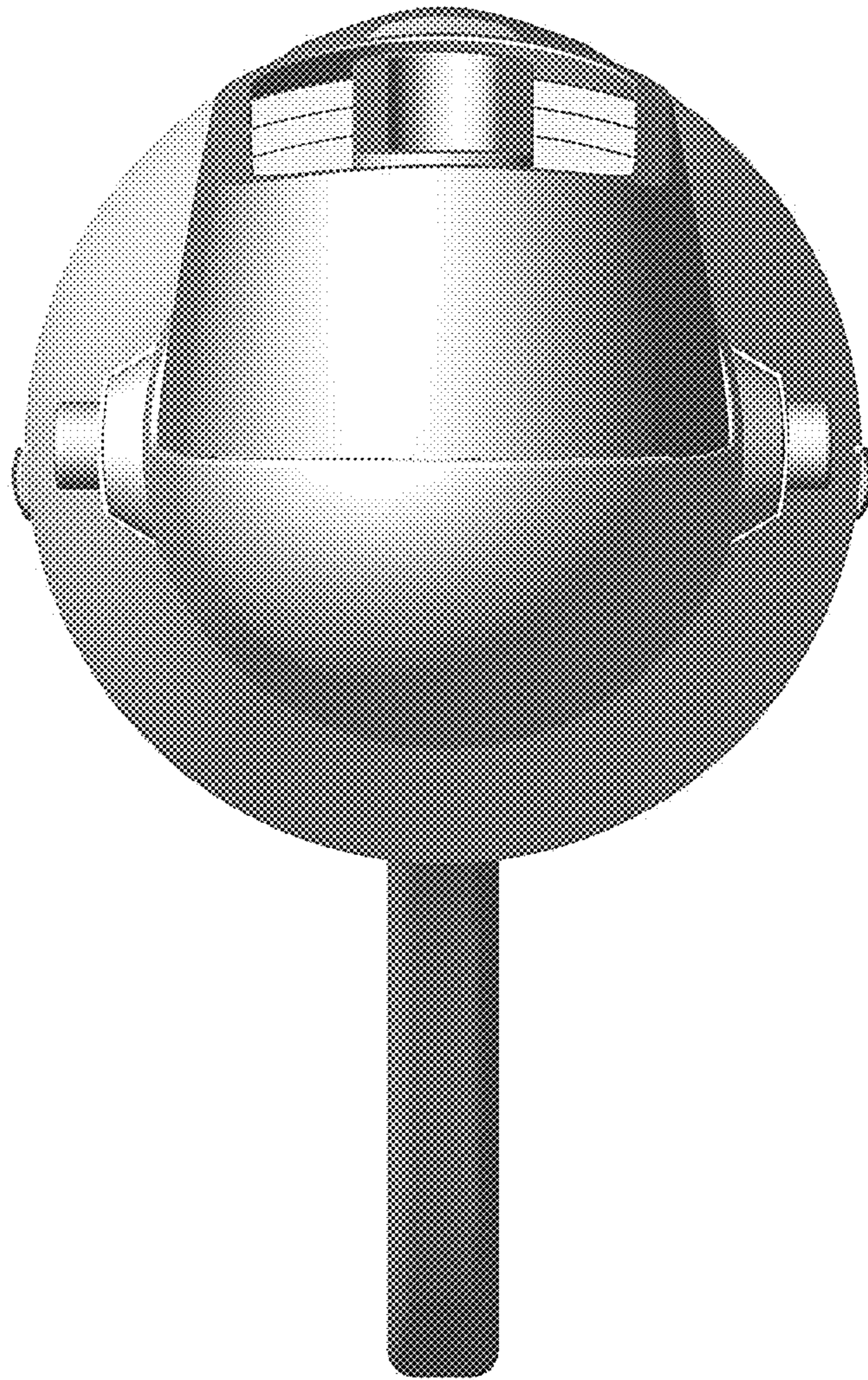
1.2



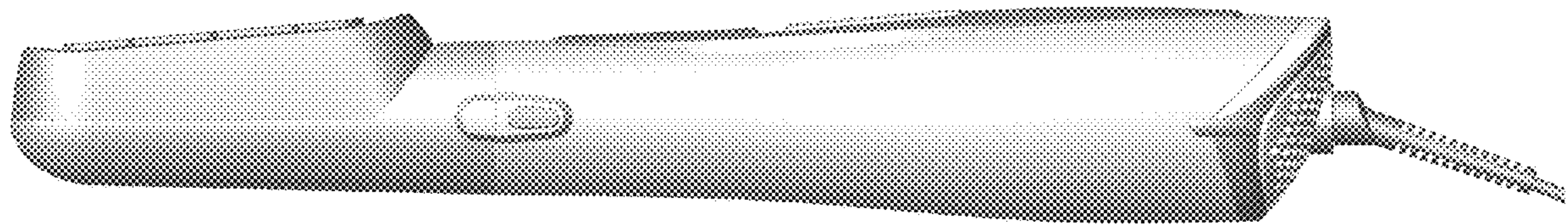
1.3



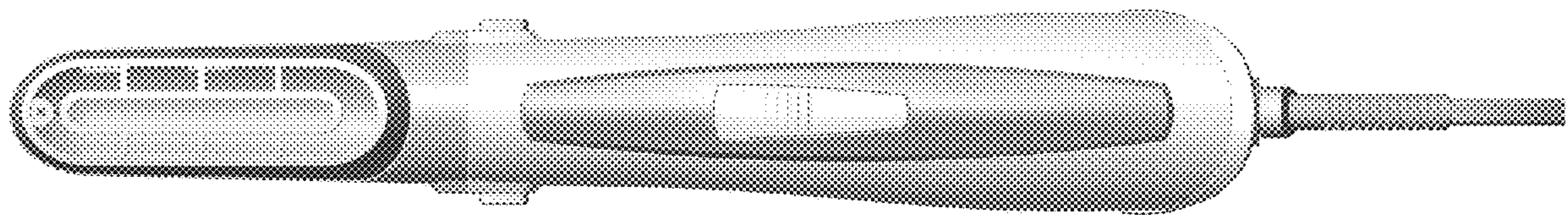
1.4



1.5



1.6



1.7

