



US00D953635S

(12) **United States Design Patent**  
**Jin**

(10) **Patent No.:** **US D953,635 S**

(45) **Date of Patent:** **\*\* May 31, 2022**

(54) **HAIR DRYER**

(71) Applicant: **Shenzhen DJ Innovation Industry Co., Ltd, Shenzhen (CN)**

(72) Inventor: **Bo Jin, Shenzhen (CN)**

(\*\*) Term: **15 Years**

(21) Appl. No.: **29/766,982**

(22) Filed: **Jan. 20, 2021**

(51) **LOC (13) Cl.** ..... **28-03**

(52) **U.S. Cl.**  
USPC ..... **D28/13**

(58) **Field of Classification Search**  
USPC ..... D28/12-19; D8/29.1  
CPC ..... A45D 20/00; A45D 20/04; A45D 20/08;  
A45D 20/10; A45D 20/12; A45D  
2020/128  
See application file for complete search history.

(56) **References Cited**

**U.S. PATENT DOCUMENTS**

D231,146 S	*	4/1974	Kemnitzer	.....	D28/15
D243,368 S	*	2/1977	Nagelkerke	.....	D28/13
D252,472 S	*	7/1979	Wistrand	.....	D28/13
D256,846 S	*	9/1980	Haase	.....	D28/13

D259,665 S	*	6/1981	Cousins	.....	D28/13
D277,417 S	*	1/1985	Wistrand	.....	D28/13
D280,851 S	*	10/1985	Muller	.....	D28/15
D305,157 S	*	12/1989	Kim	.....	D28/15
D367,128 S	*	2/1996	Rizzuto	.....	D28/13
D506,030 S	*	6/2005	Lai	.....	D28/13
D866,067 S	*	11/2019	Thompson	.....	D28/13
D875,310 S	*	2/2020	Thompson	.....	D28/18

\* cited by examiner

*Primary Examiner* — **Zenia I Bennett**

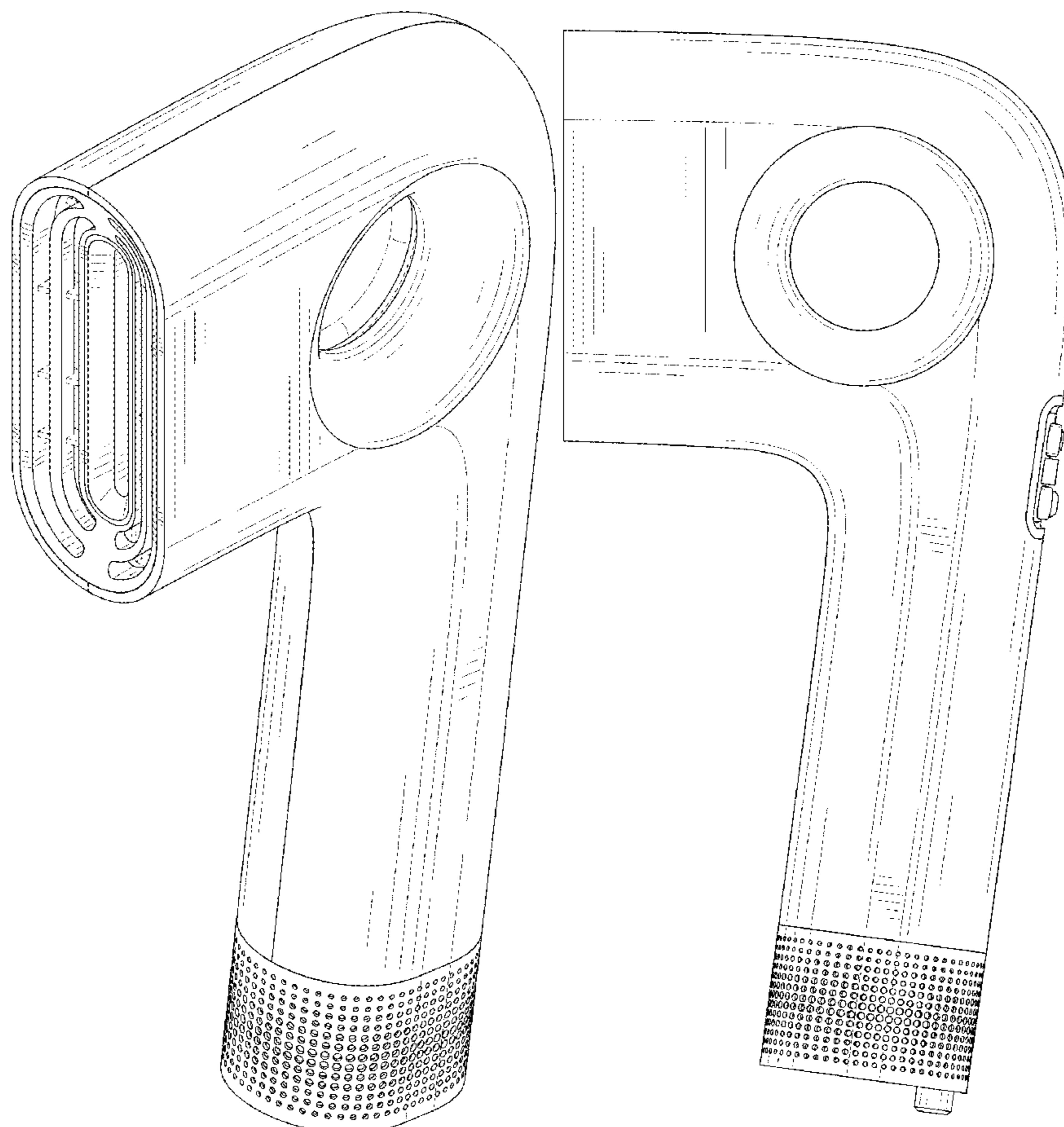
(57) **CLAIM**

The ornamental design for a hair dryer, as shown and described.

**DESCRIPTION**

FIG. 1 is a first perspective view of a hair dryer showing my new design;  
FIG. 2 is a second perspective view thereof;  
FIG. 3 is a front view thereof;  
FIG. 4 is a back view thereof;  
FIG. 5 is a left side view thereof;  
FIG. 6 is a right side view thereof;  
FIG. 7 is a top view thereof;  
FIG. 8 is a bottom view thereof; and,  
FIG. 9 is an enlarged view of the selected portion in FIG. 2. The broken lines shown in the drawings depict portions of the hair dryer in which the design is embodied that form no, part of the claimed design.

**1 Claim, 9 Drawing Sheets**



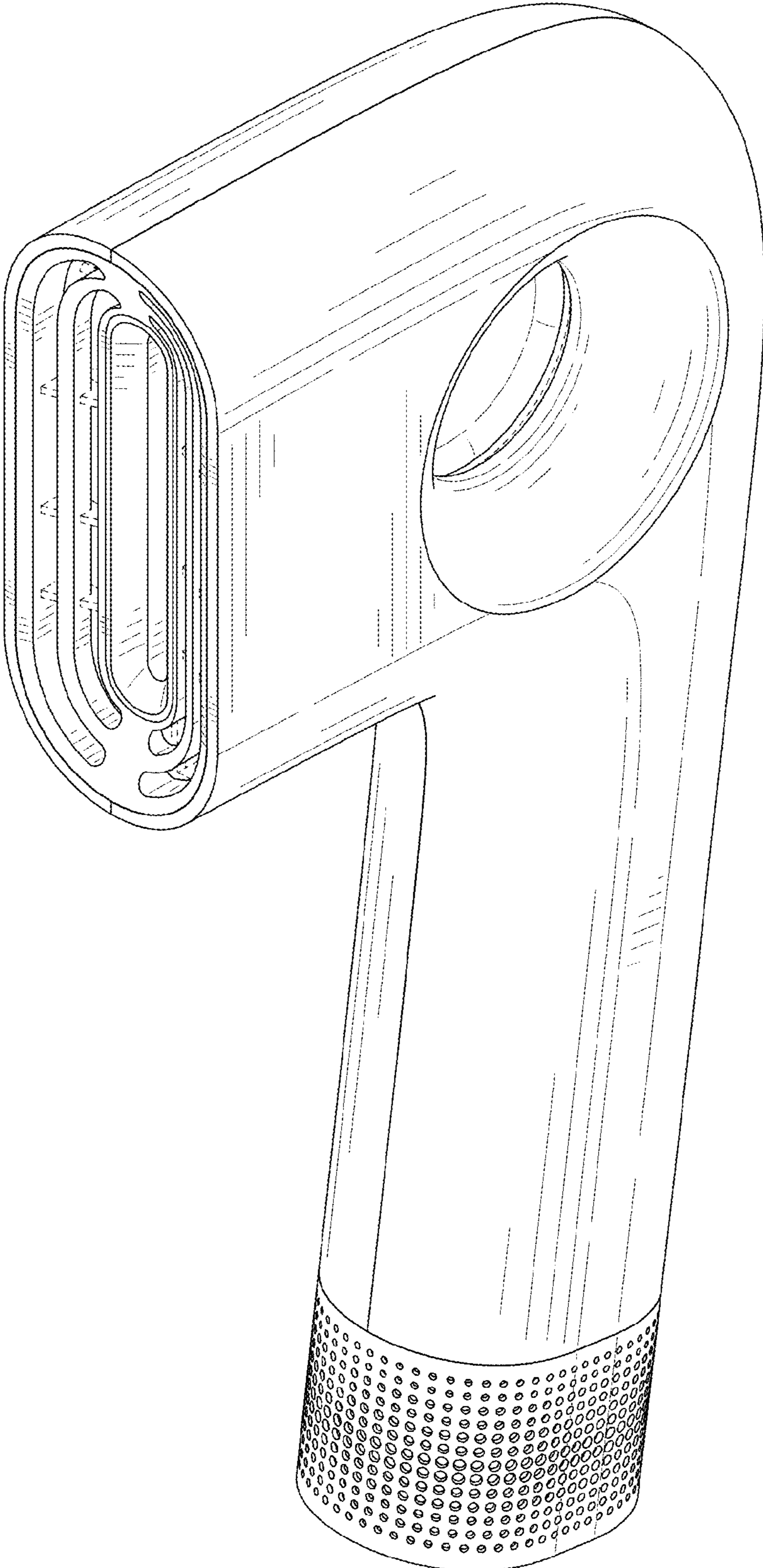


FIG. 1

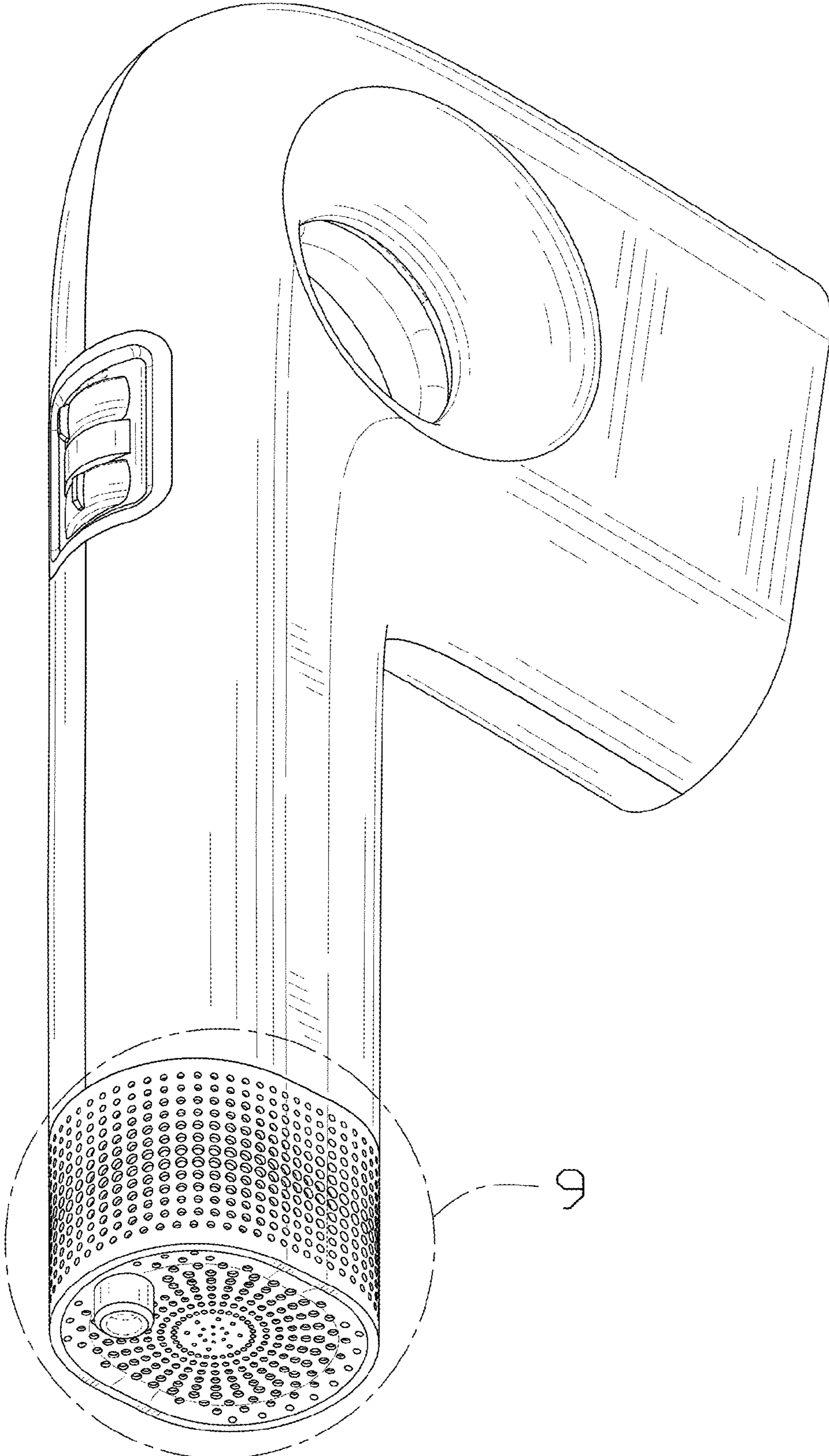


FIG. 2

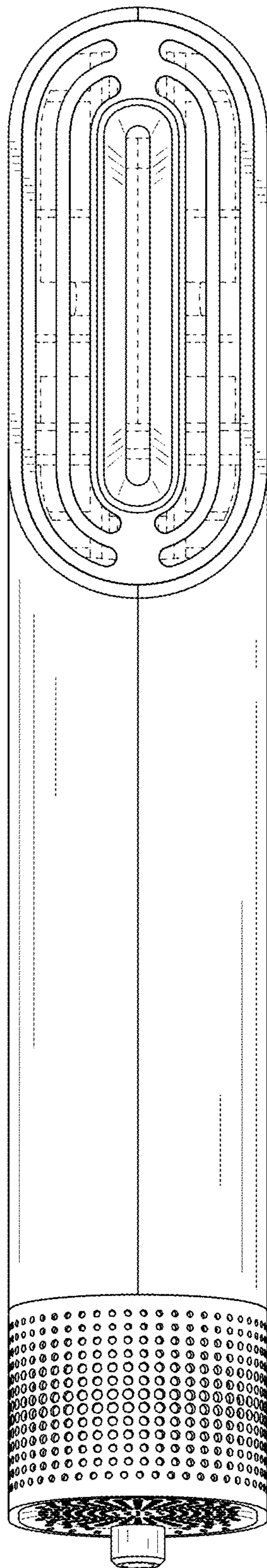


FIG. 3

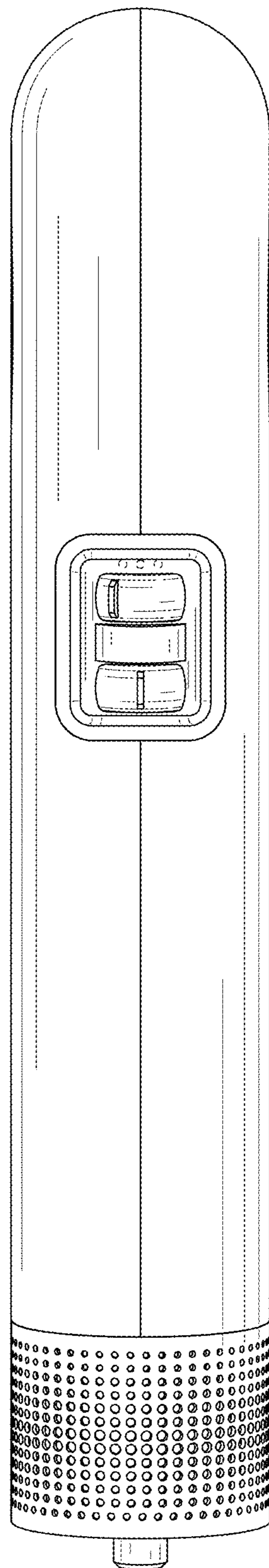


FIG. 4

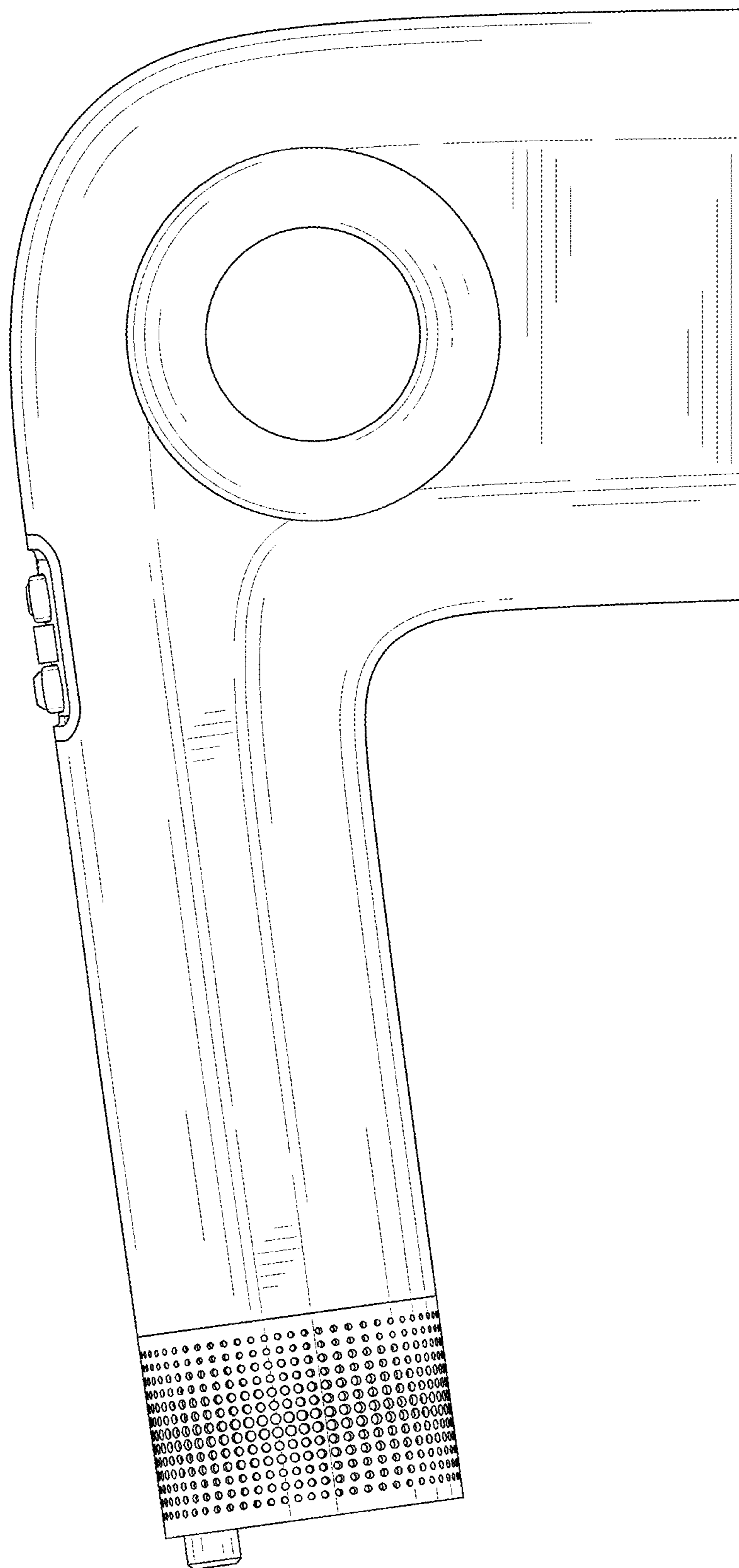


FIG. 5

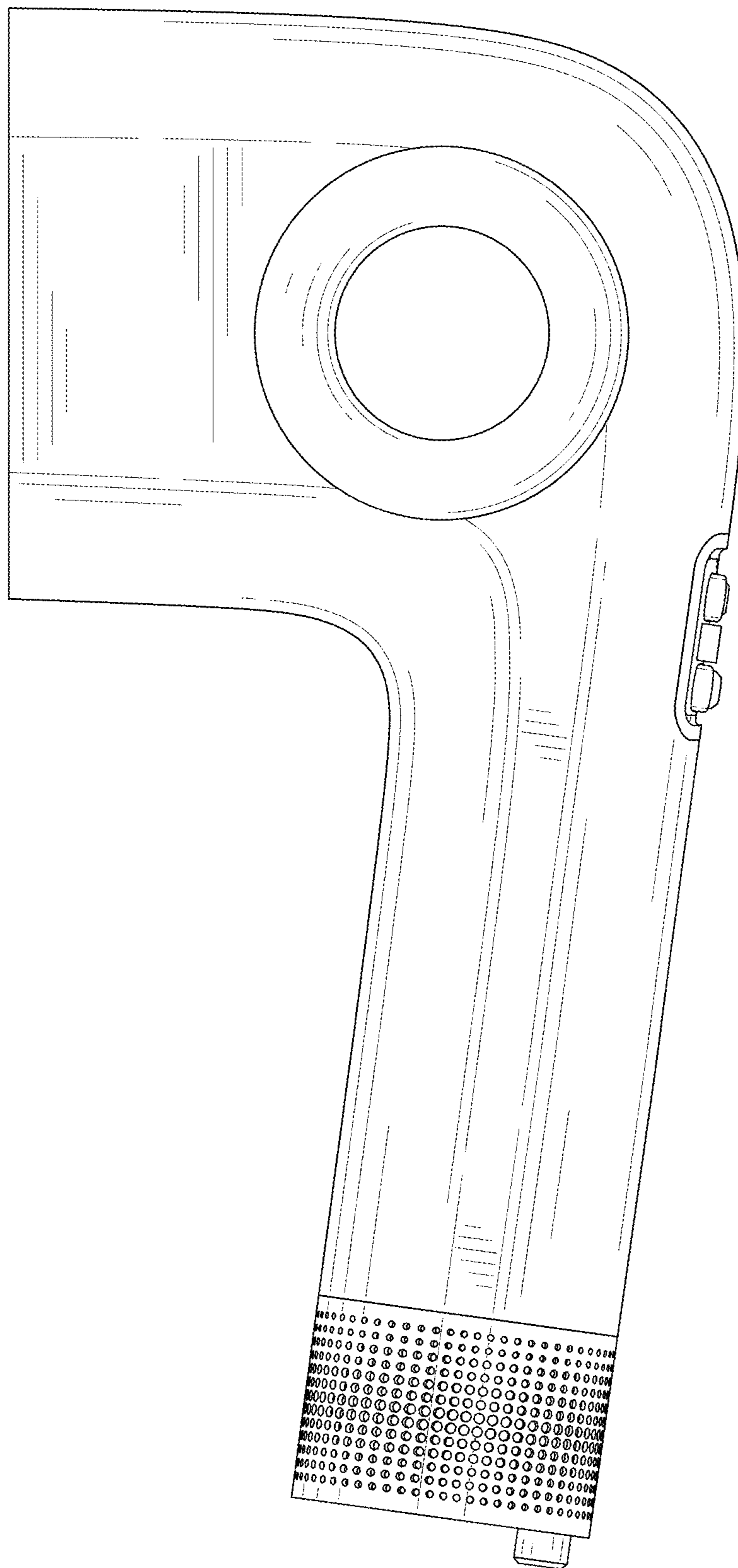


FIG. 6

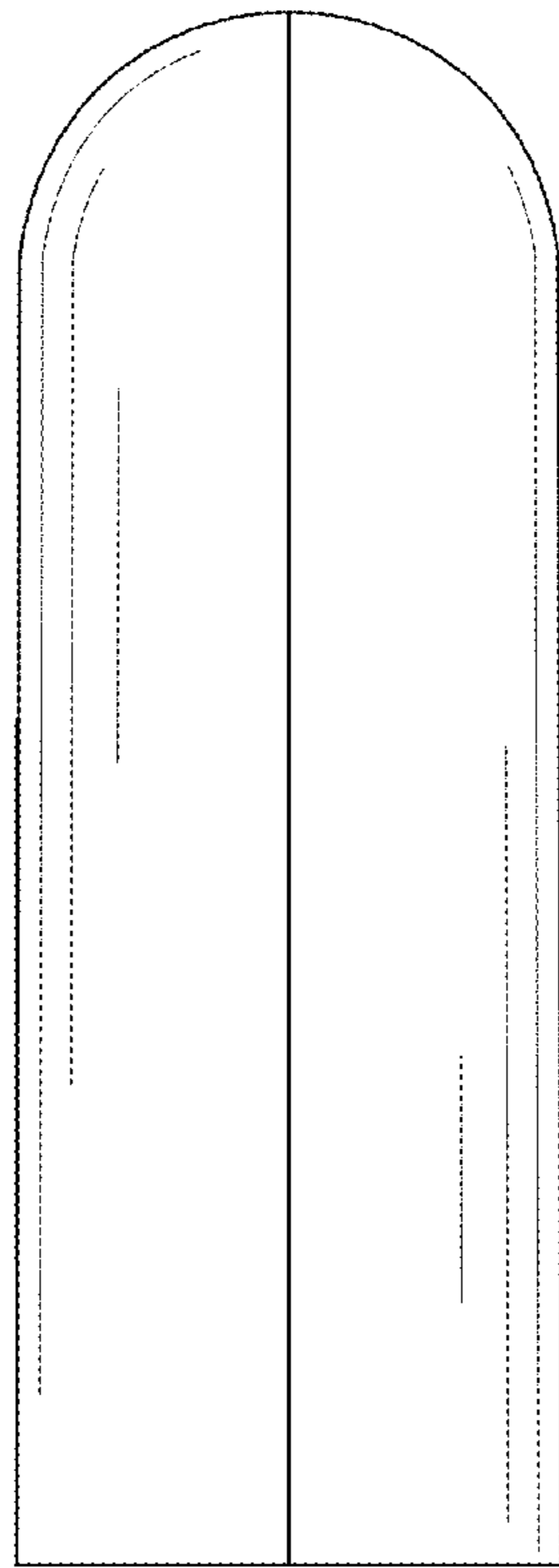


FIG. 7



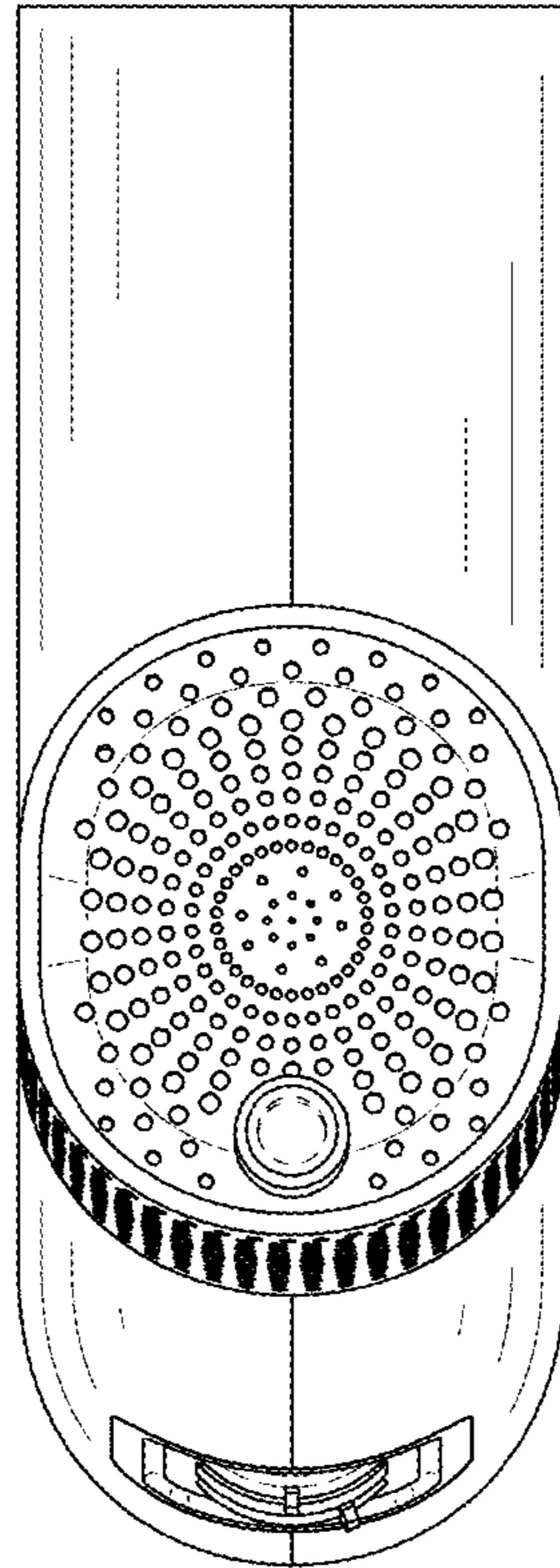


FIG. 8

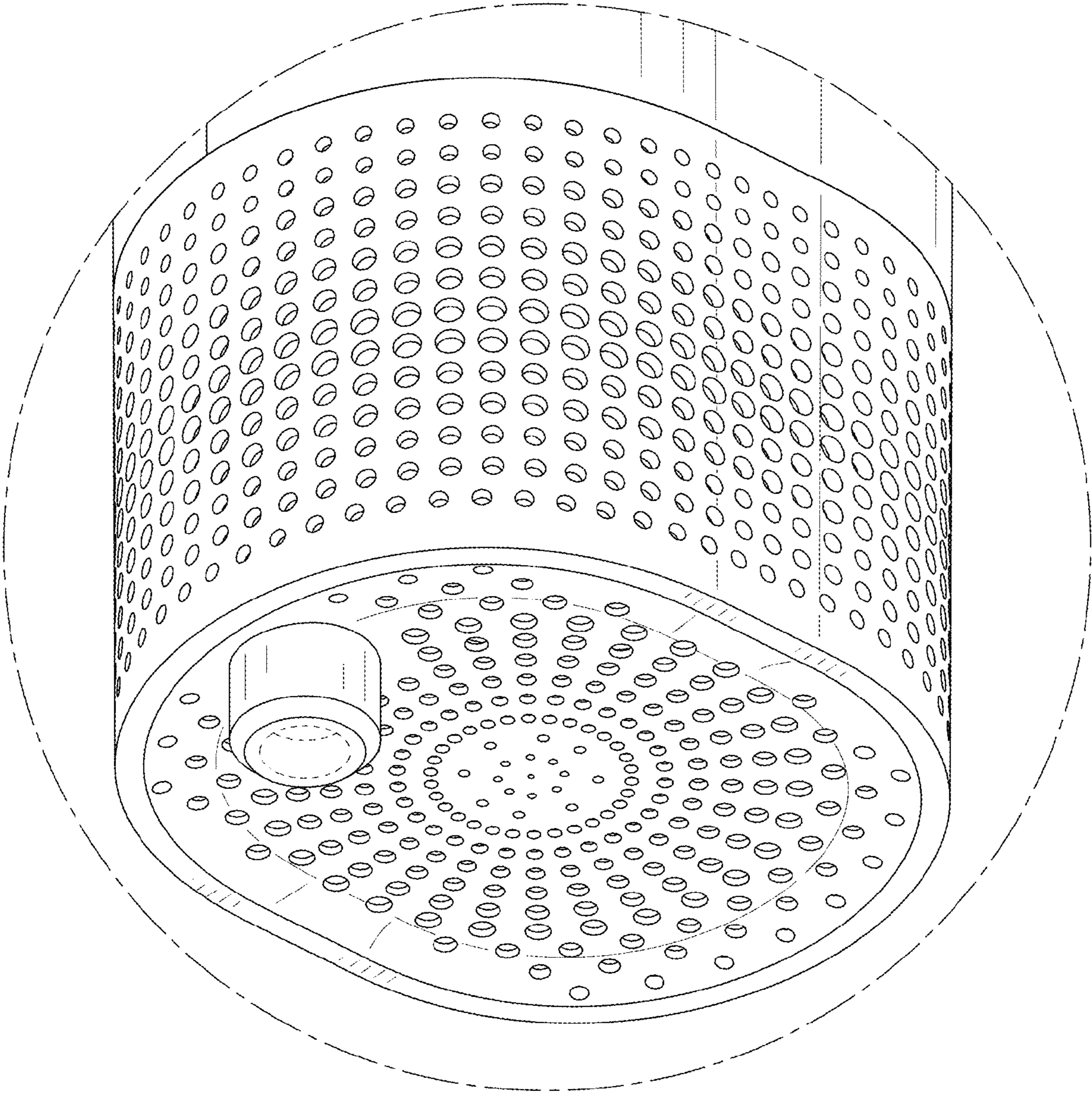


FIG. 9