



US00D953630S

(12) **United States Design Patent**
Jin

(10) **Patent No.:** **US D953,630 S**

(45) **Date of Patent:** **** May 31, 2022**

(54) **HAIR DRYER**

(71) Applicant: **Shenzhen DJ Innovation Industry Co., Ltd**, Shenzhen (CN)

(72) Inventor: **Bo Jin**, Shenzhen (CN)

(**) Term: **15 Years**

(21) Appl. No.: **29/754,573**

(22) Filed: **Oct. 13, 2020**

(51) **LOC (13) Cl.** **28-03**

(52) **U.S. Cl.**
USPC **D28/13**

(58) **Field of Classification Search**
USPC D28/12-19; D8/29.1
CPC A45D 20/00; A45D 20/04; A45D 20/08;
A45D 20/10; A45D 20/12; A45D
2020/128

See application file for complete search history.

(56) **References Cited**

U.S. PATENT DOCUMENTS

- D227,716 S * 7/1973 Wolffe D28/13
- D239,883 S * 5/1976 Long D28/13
- D247,630 S * 3/1978 Wistrand D28/13

- D250,722 S * 1/1979 Cousins D28/16
- D697,667 S * 1/2014 Yoe D28/13
- D850,001 S * 5/2019 Coulton D28/18
- D935,094 S * 11/2021 Zhou D28/13

* cited by examiner

Primary Examiner — Zenia I Bennett

(57) **CLAIM**

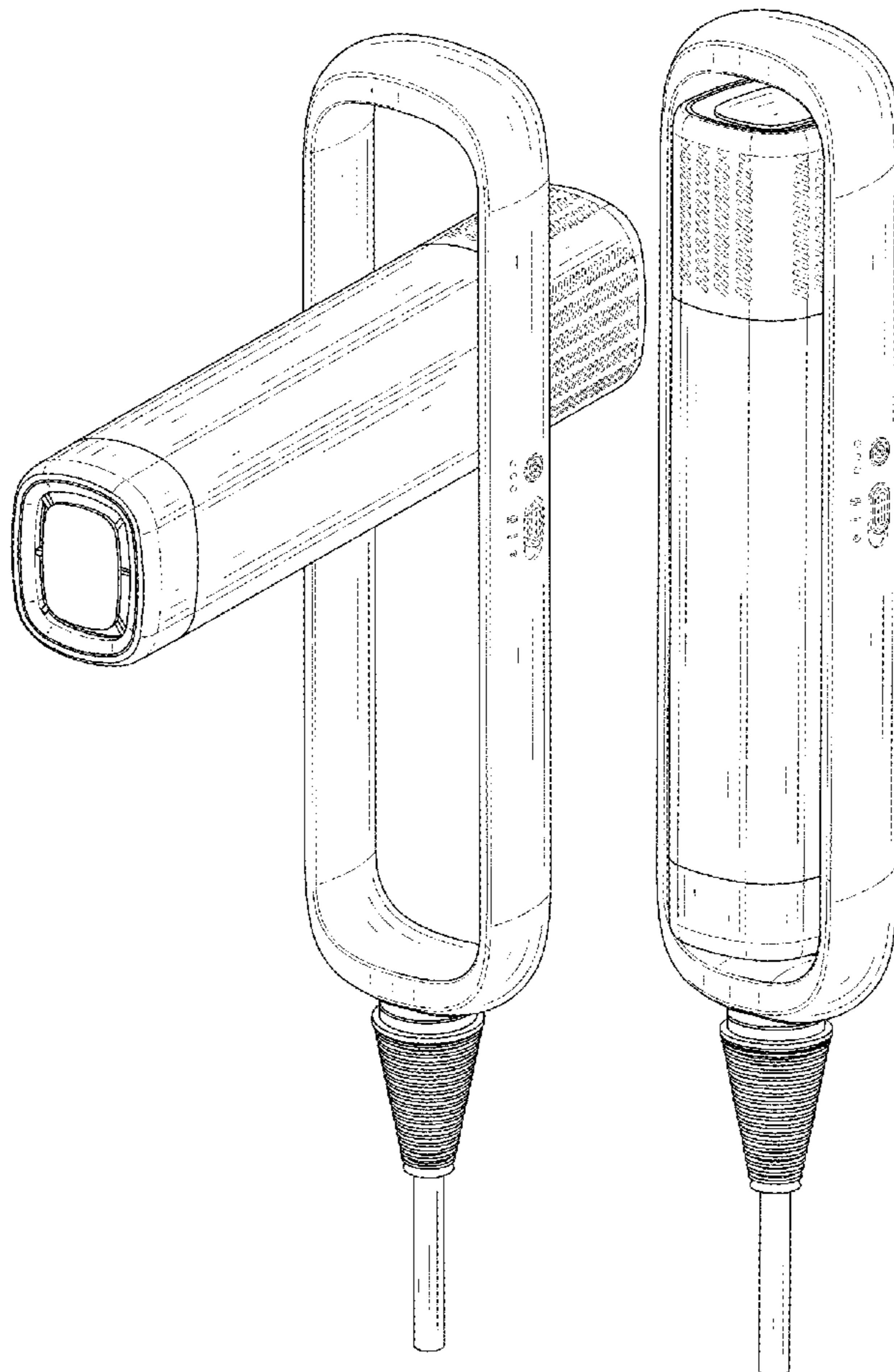
The ornamental design for a hair dryer, as shown and described.

DESCRIPTION

FIG. 1 is a first perspective view of a hair dryer showing my new design;
 FIG. 2 is a second perspective view thereof;
 FIG. 3 is a front view thereof;
 FIG. 4 is a back view thereof;
 FIG. 5 is a left side view thereof;
 FIG. 6 is a right side view thereof;
 FIG. 7 is a top view thereof; and,
 FIG. 8 is a bottom view thereof.

The broken lines shown in the drawings depict portions of the hair dryer in which the design is embodied that form no part of the claimed design.

1 Claim, 8 Drawing Sheets



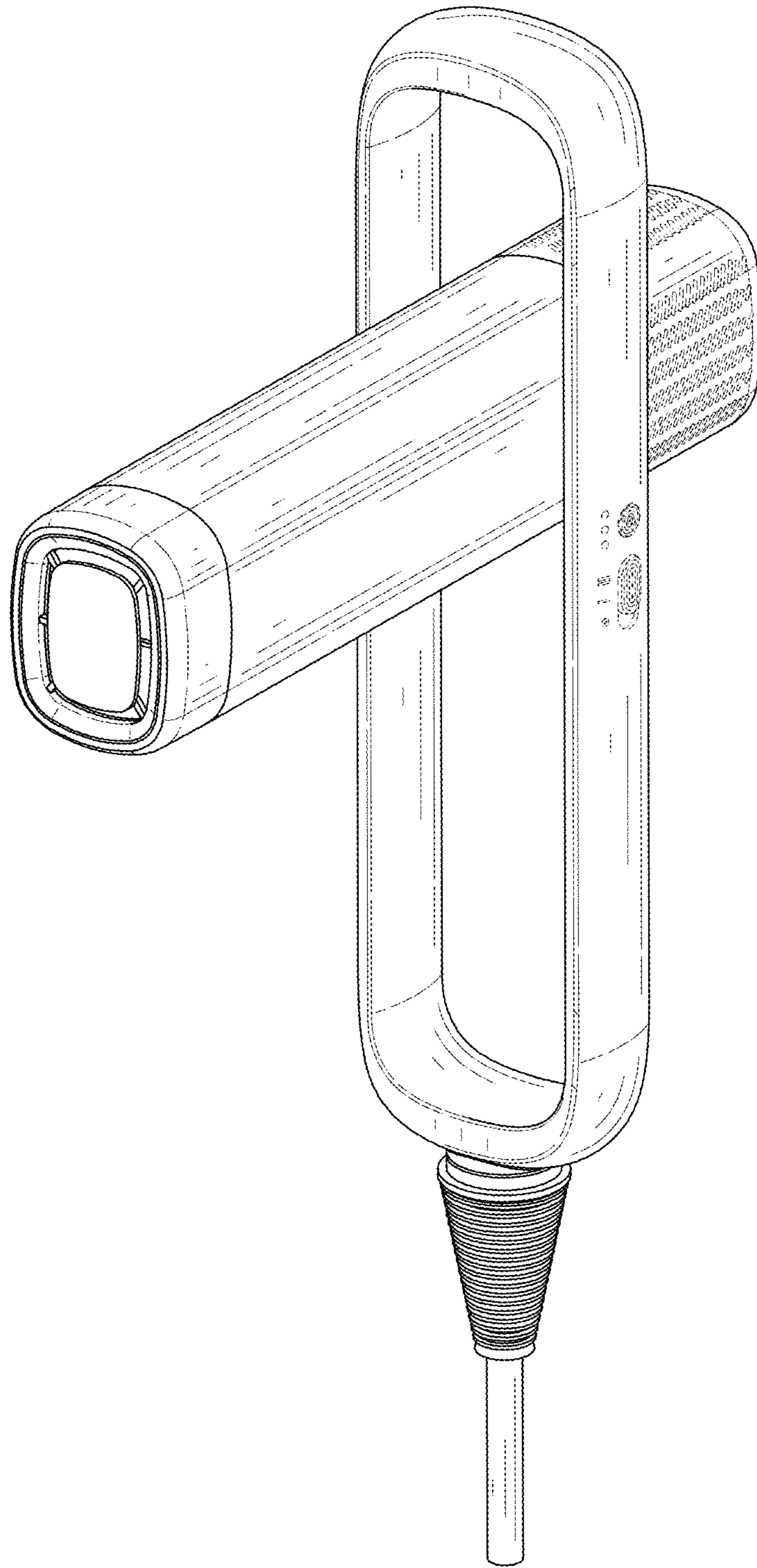


FIG. 1

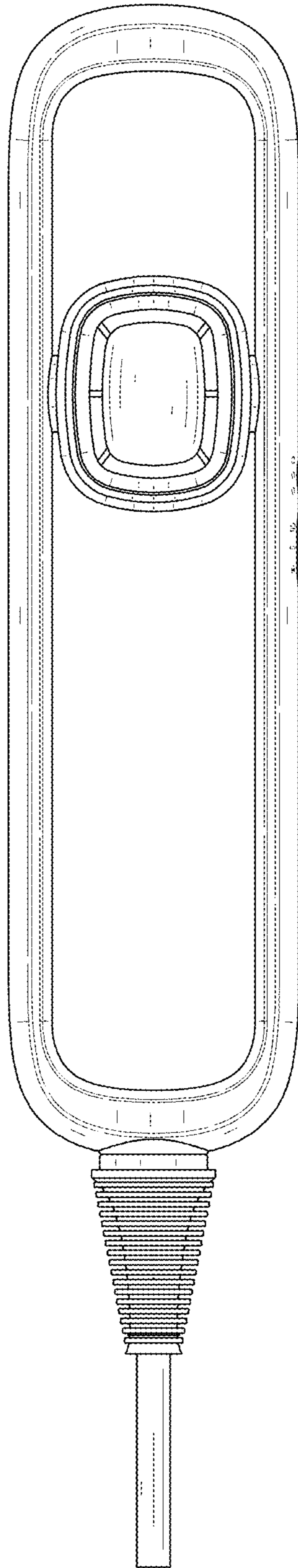


FIG. 2

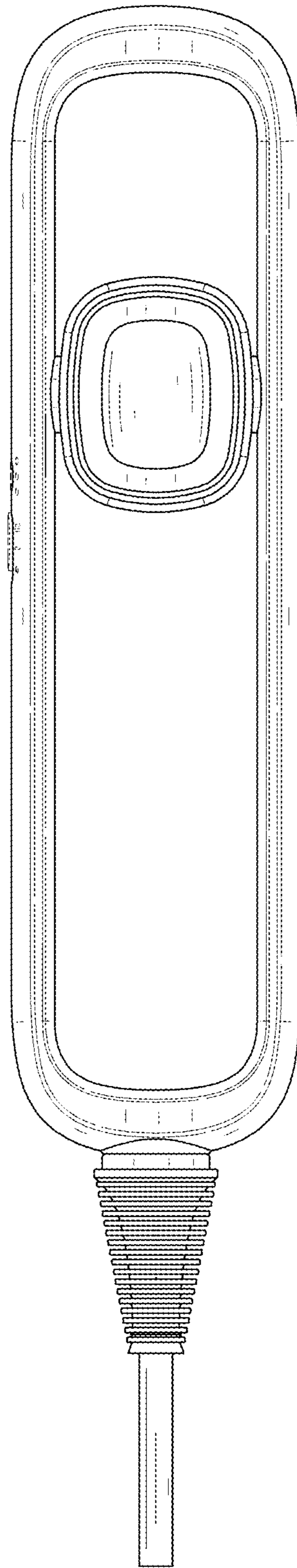


FIG. 3

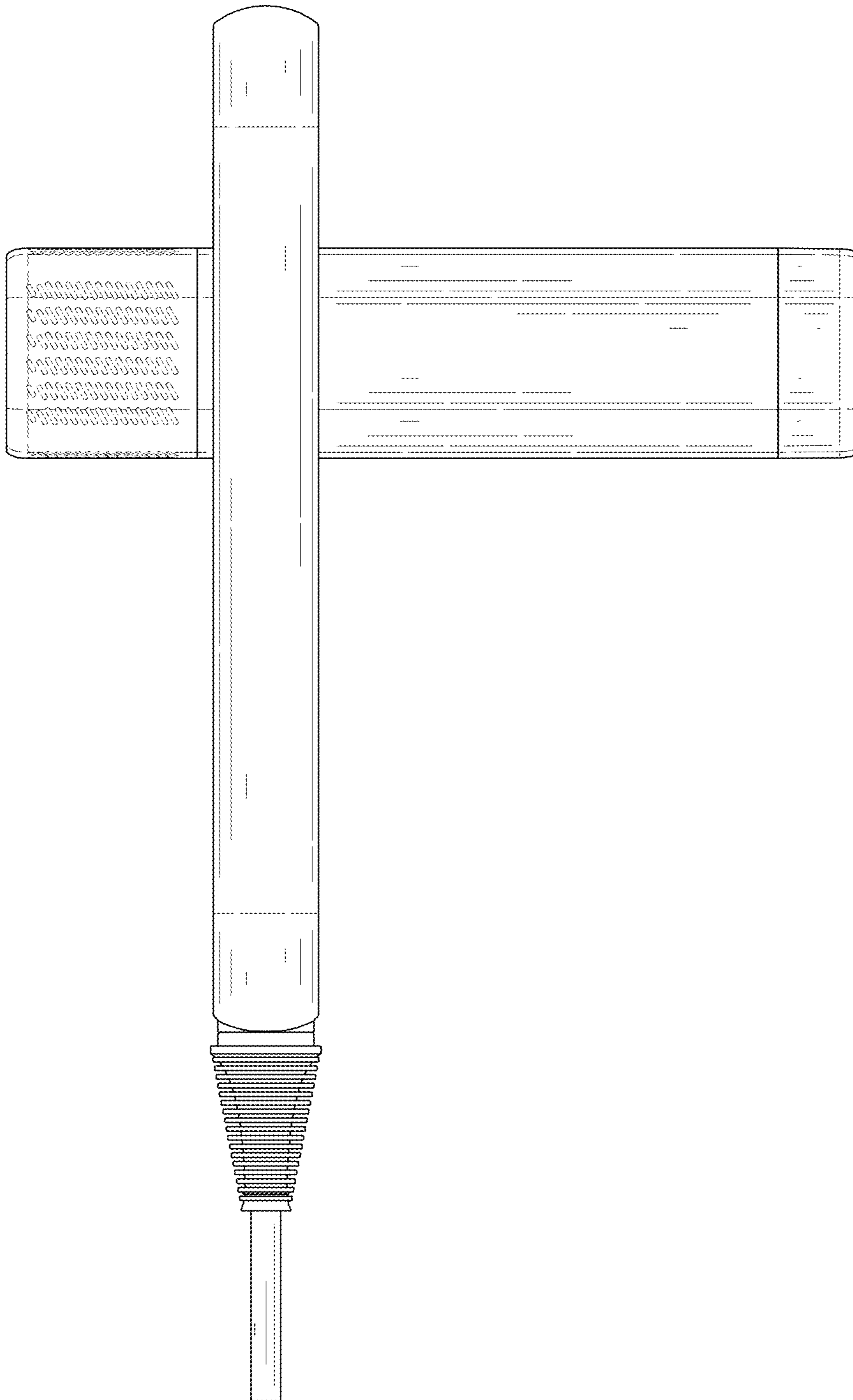


FIG. 4

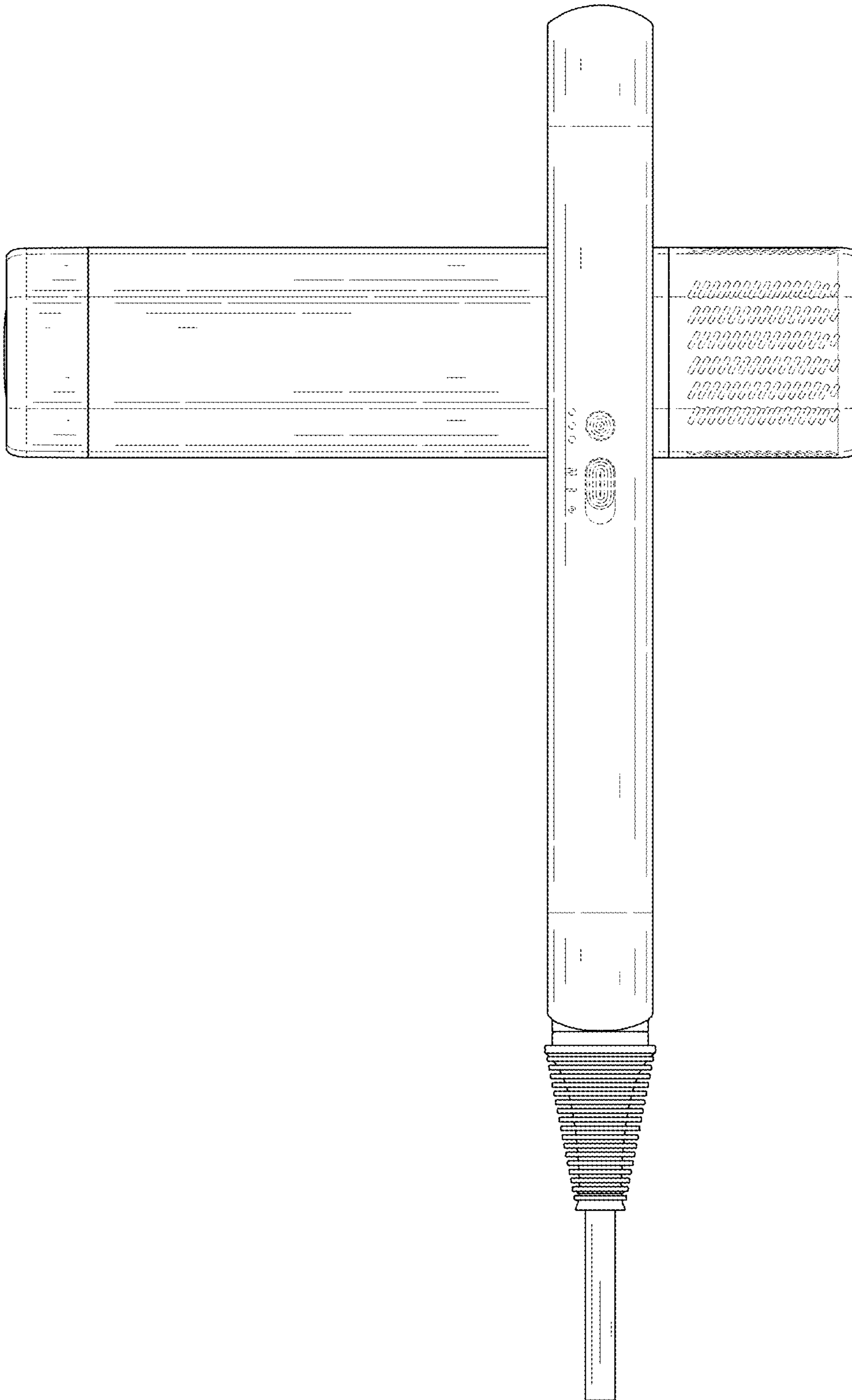


FIG. 5

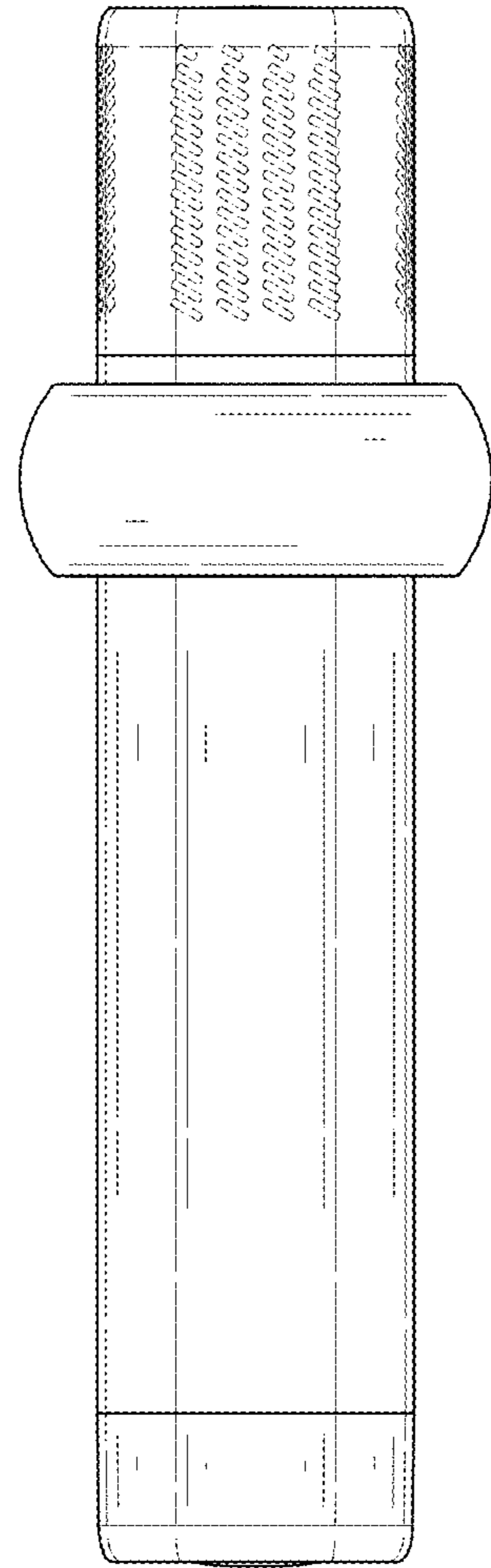


FIG. 6

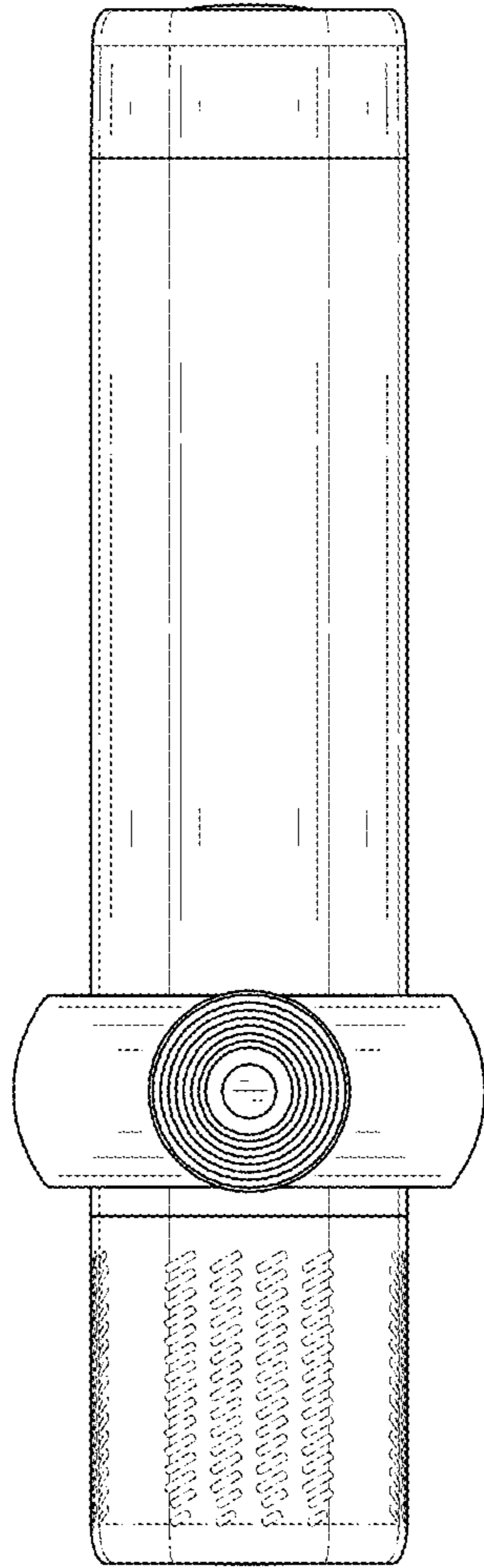


FIG. 7

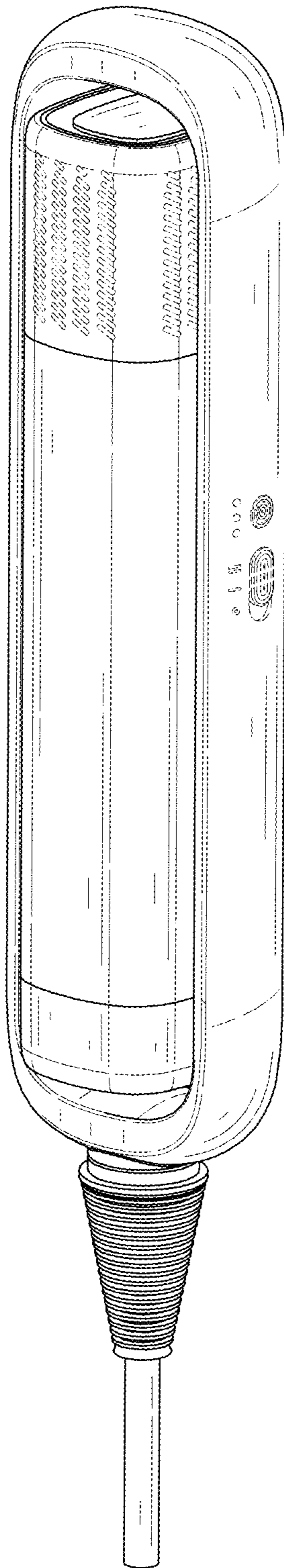


FIG. 8