



US00D953628S

(12) **United States Design Patent**
Vila

(10) **Patent No.:** **US D953,628 S**

(45) **Date of Patent:** **** May 31, 2022**

- (54) **CIGARETTE-MAKING MACHINE**
- (71) Applicant: **REPUBLIC BRANDS L.P.**, Glenview, IL (US)
- (72) Inventor: **Santiago Sanchez Vila**, Barcelona (ES)
- (73) Assignee: **REPUBLIC BRANDS L.P.**, Glenview, IL (US)
- (**) Term: **15 Years**
- (21) Appl. No.: **29/817,930**
- (22) Filed: **Dec. 6, 2021**

2007/0295343 A1* 12/2007 Susanto A24C 5/40
131/58
2012/0312311 A1* 12/2012 Lin A24C 5/42
131/70
2013/0152952 A1* 6/2013 Bao A24C 5/42
131/70

Related U.S. Application Data

- (62) Division of application No. 29/746,830, filed on Aug. 18, 2020, now Pat. No. Des. 941,524.
- (51) **LOC (13) Cl.** **27-99**
- (52) **U.S. Cl.**
USPC **D27/194**
- (58) **Field of Classification Search**
USPC D27/194, 100, 172, 183, 184, 186, 187, D27/192
CPC A24C 5/40; A24C 5/42; A24C 5/44; A24C 5/46; A24C 5/465; A24C 5/52; A24C 5/00; A24C 5/02; A24C 5/10; A24C 5/01
See application file for complete search history.

References Cited

U.S. PATENT DOCUMENTS

- D553,793 S * 10/2007 Lin D27/194
- D613,032 S * 4/2010 Lin D27/194
- D665,126 S * 8/2012 Lin D27/194
- D692,616 S * 10/2013 Patel D27/194
- 9,314,051 B2 * 4/2016 Lin A24C 5/42
- D881,464 S * 4/2020 Lin D27/194
- D902,479 S * 11/2020 Liu D27/184
- D940,389 S * 1/2022 Daw D27/194
- D941,524 S * 1/2022 Vila D27/194

OTHER PUBLICATIONS

Cigarette Rolling Machine By: OCB found on Amazon (Jan. 27, 2022) <https://www.amazon.co.uk/OCB-3013-Mikromatic-stuffing-cigarettes/dp/B009BS5AQQ?th=1> (Oct. 2, 2012).*

* cited by examiner

Primary Examiner — Rebecca Tsehaye

(74) *Attorney, Agent, or Firm* — Michael Best & Friedrich LLP

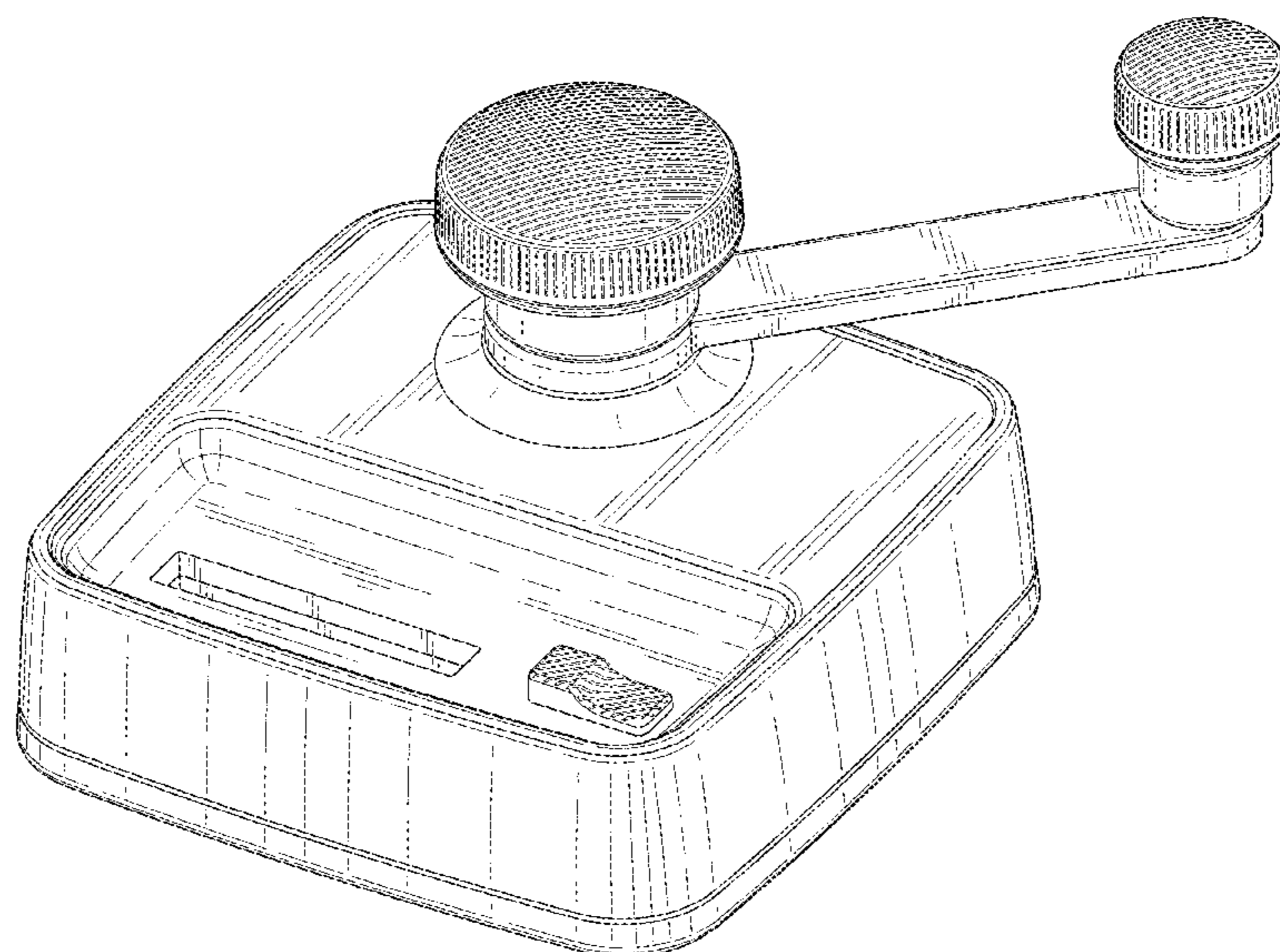
(57) **CLAIM**

I claim the ornamental design for a cigarette-making machine, as shown and described.

DESCRIPTION

FIG. 1 is a perspective view of a cigarette-making machine. FIG. 2 is a right elevation view of the cigarette-making machine shown in FIG. 1. FIG. 3 is a left elevation view of the cigarette-making machine shown in FIG. 1. FIG. 4 is a front elevation view of the cigarette-making machine shown in FIG. 1. FIG. 5 is a rear elevation view of the cigarette-making machine shown in FIG. 1. FIG. 6 is a top plan view of the cigarette-making machine shown in FIG. 1; and, FIG. 7 is a bottom plan view of the cigarette-making machine shown in FIG. 1. The broken lines in the drawings depict portions of the cigarette-making machine that form no part of the claimed design.

1 Claim, 6 Drawing Sheets



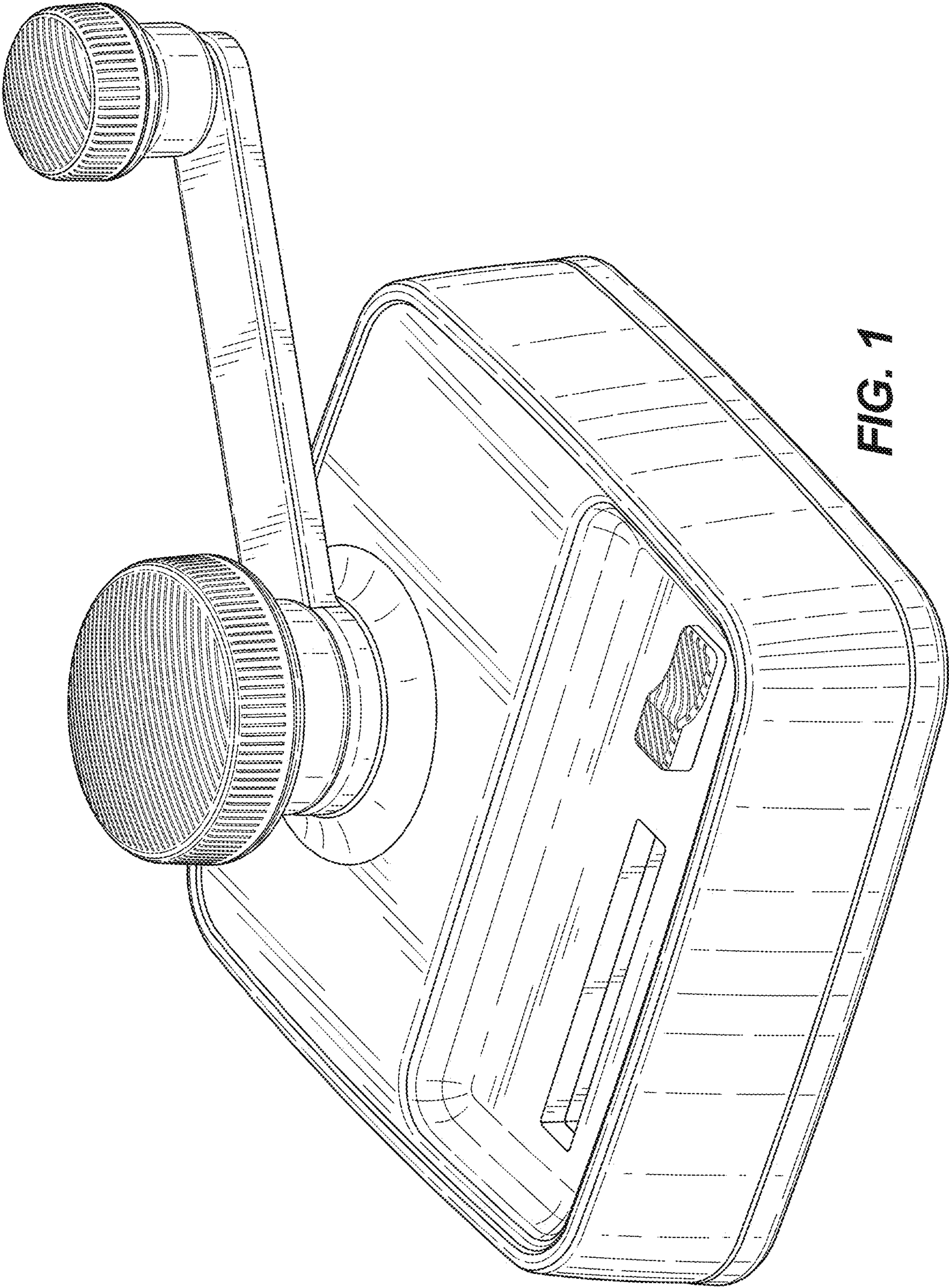


FIG. 1

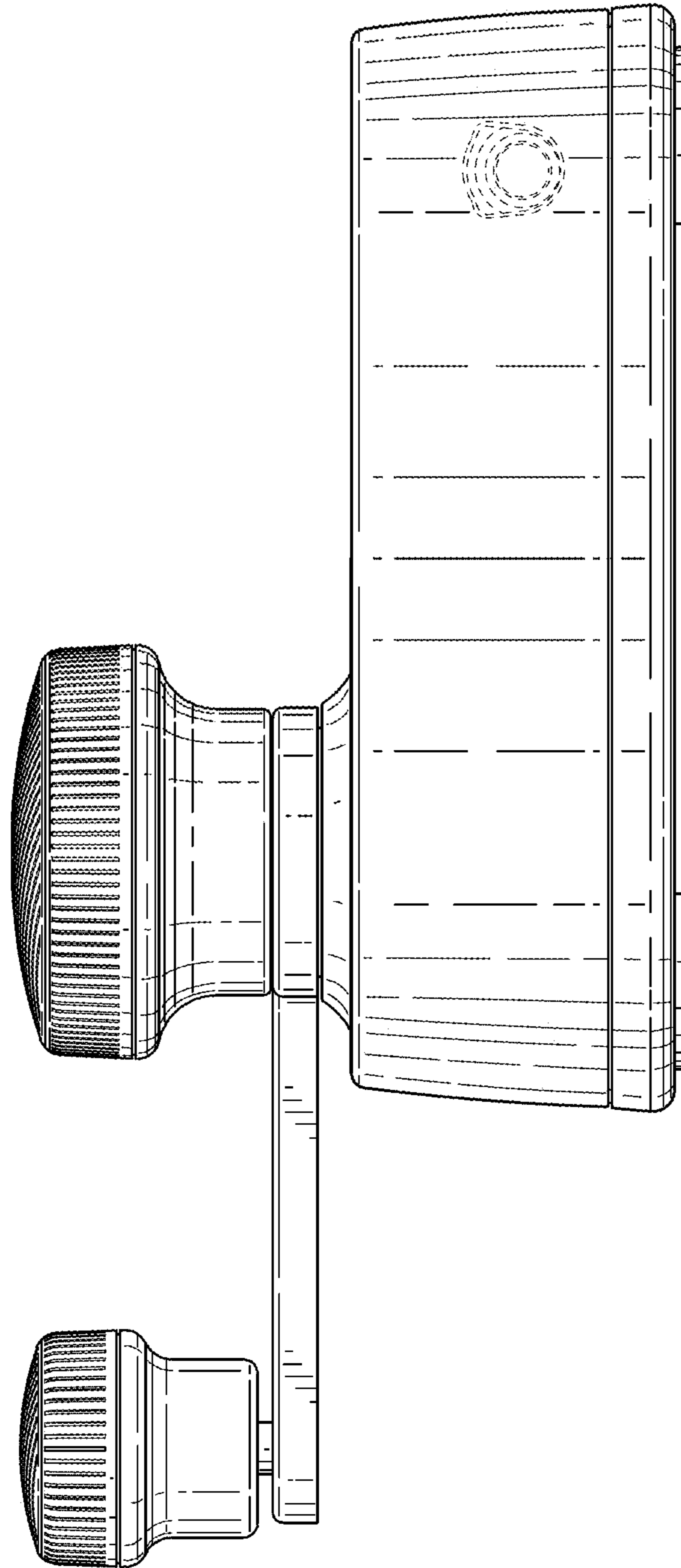


FIG. 2

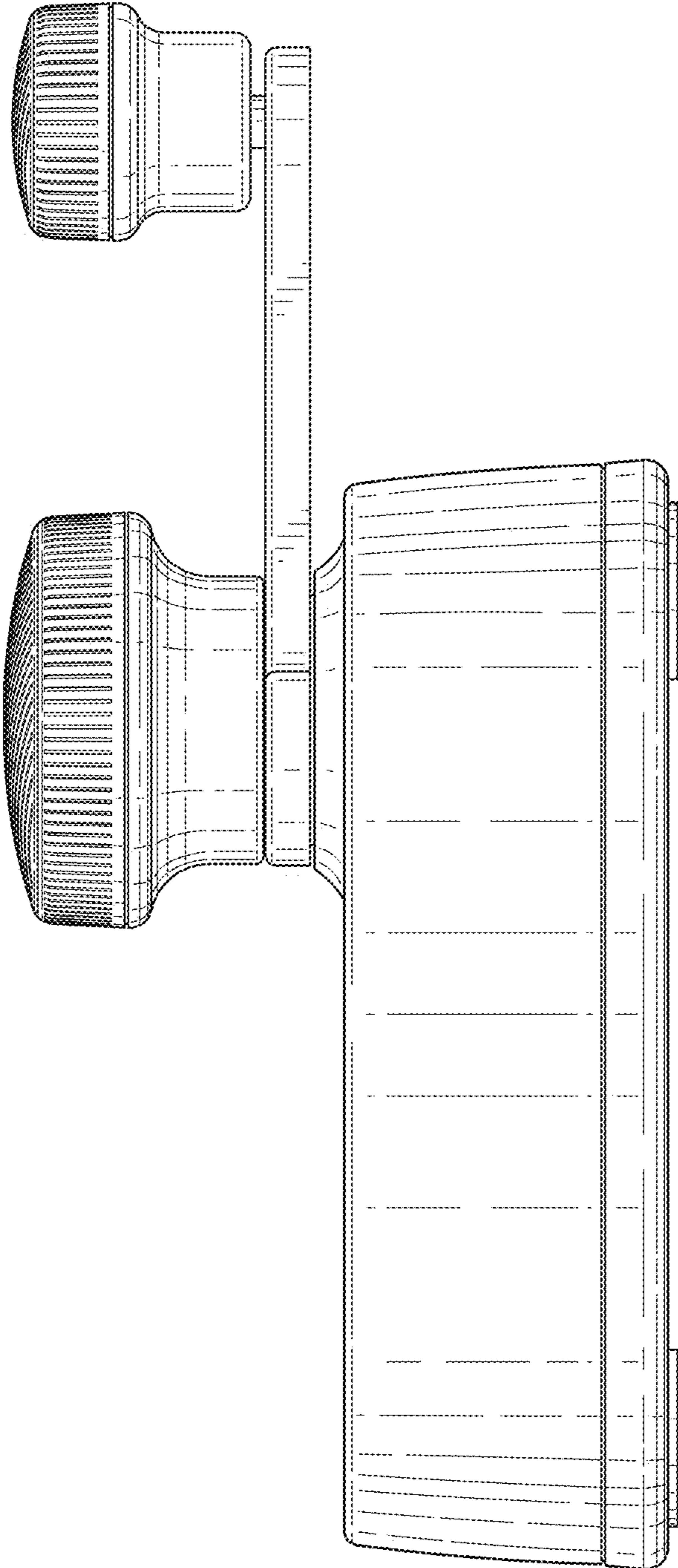


FIG. 3

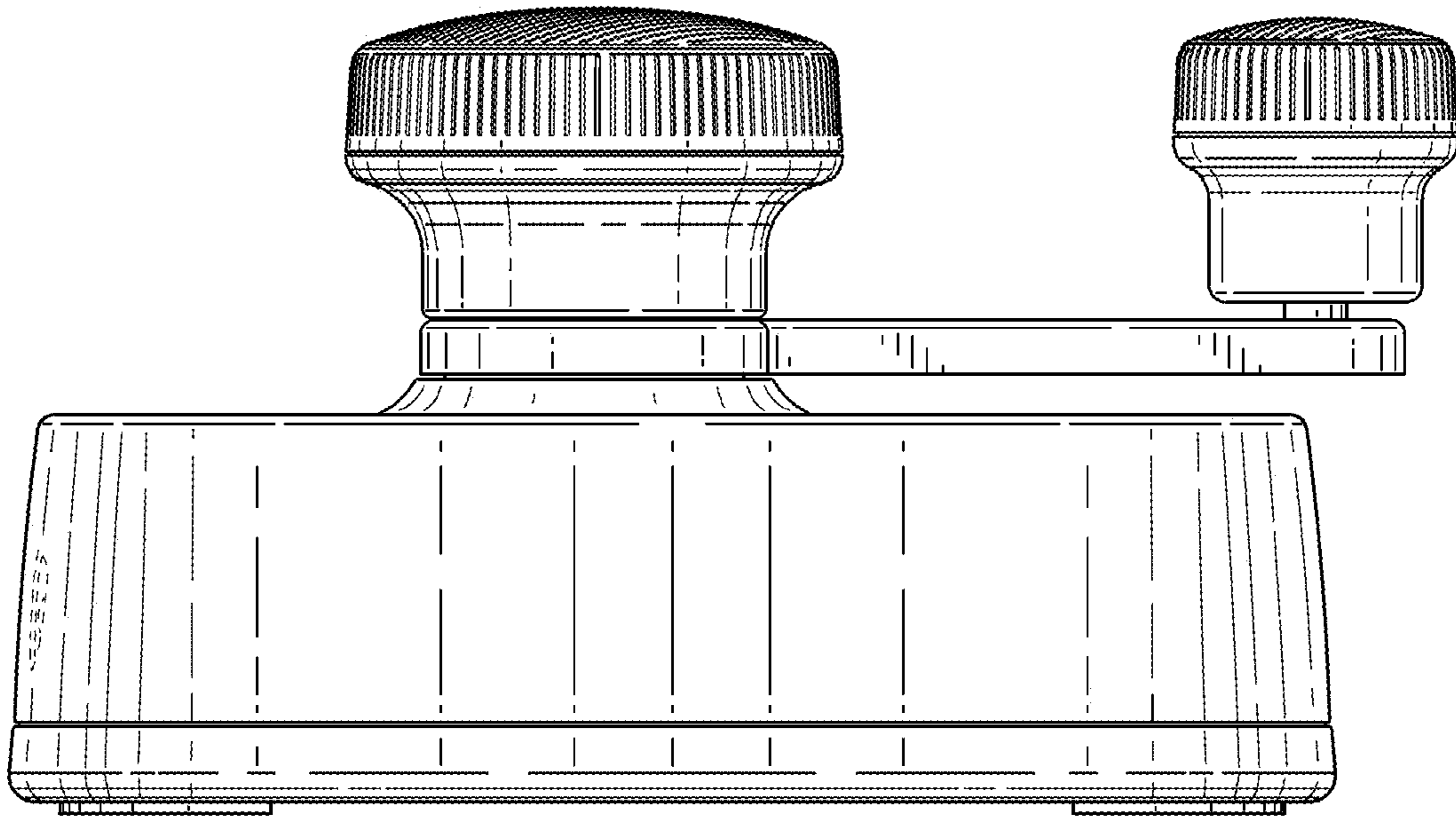


FIG. 4

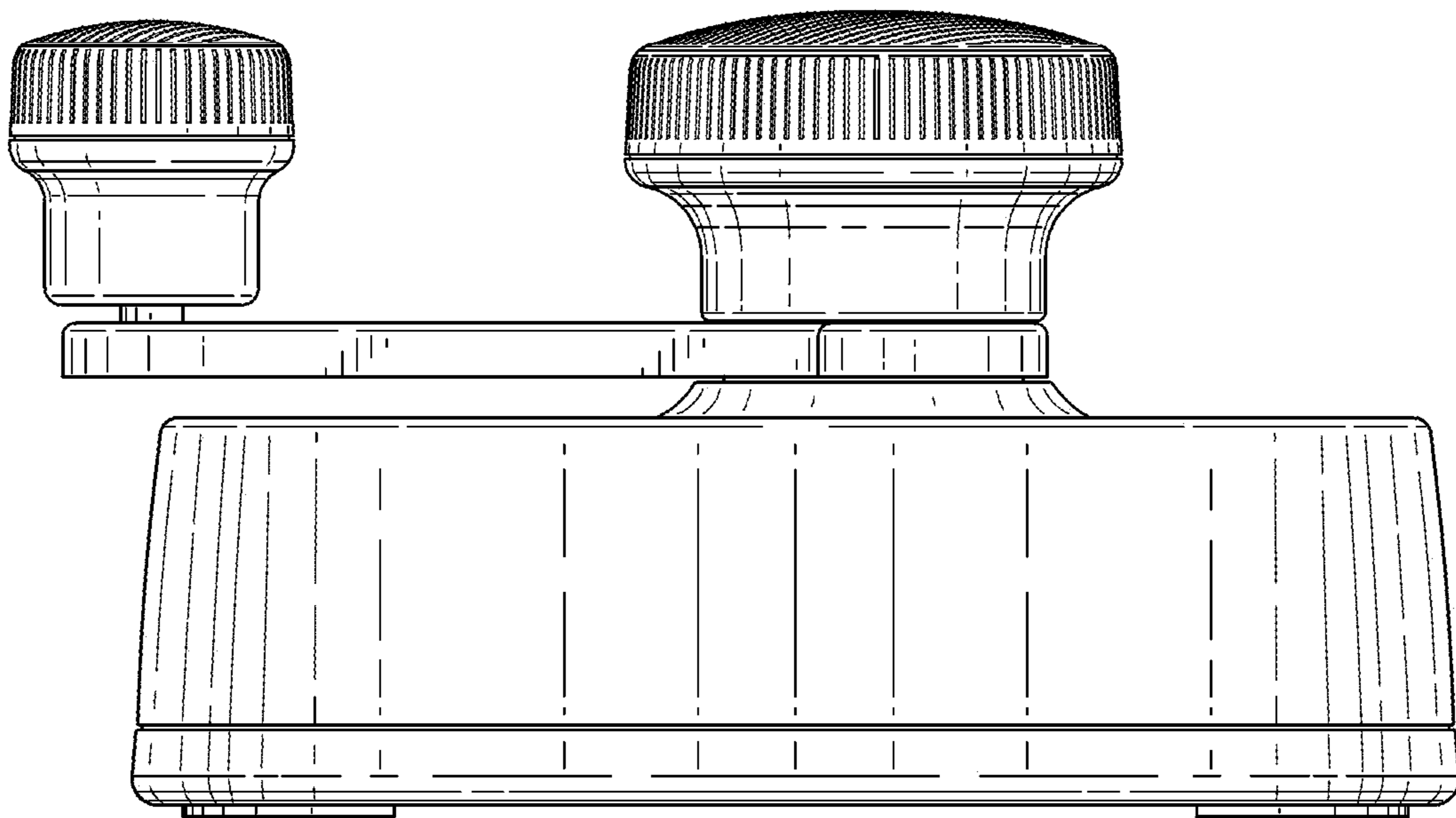


FIG. 5

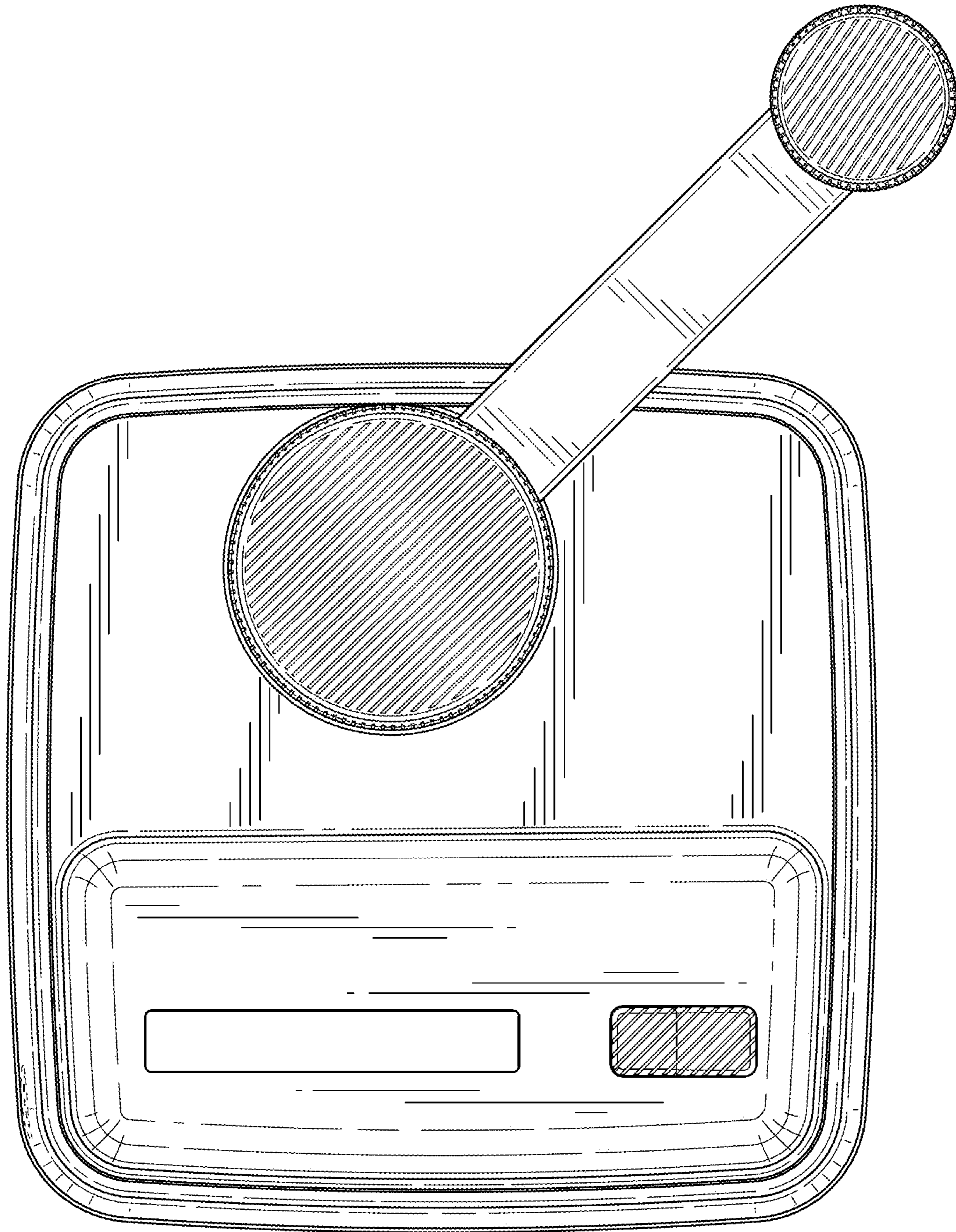


FIG. 6

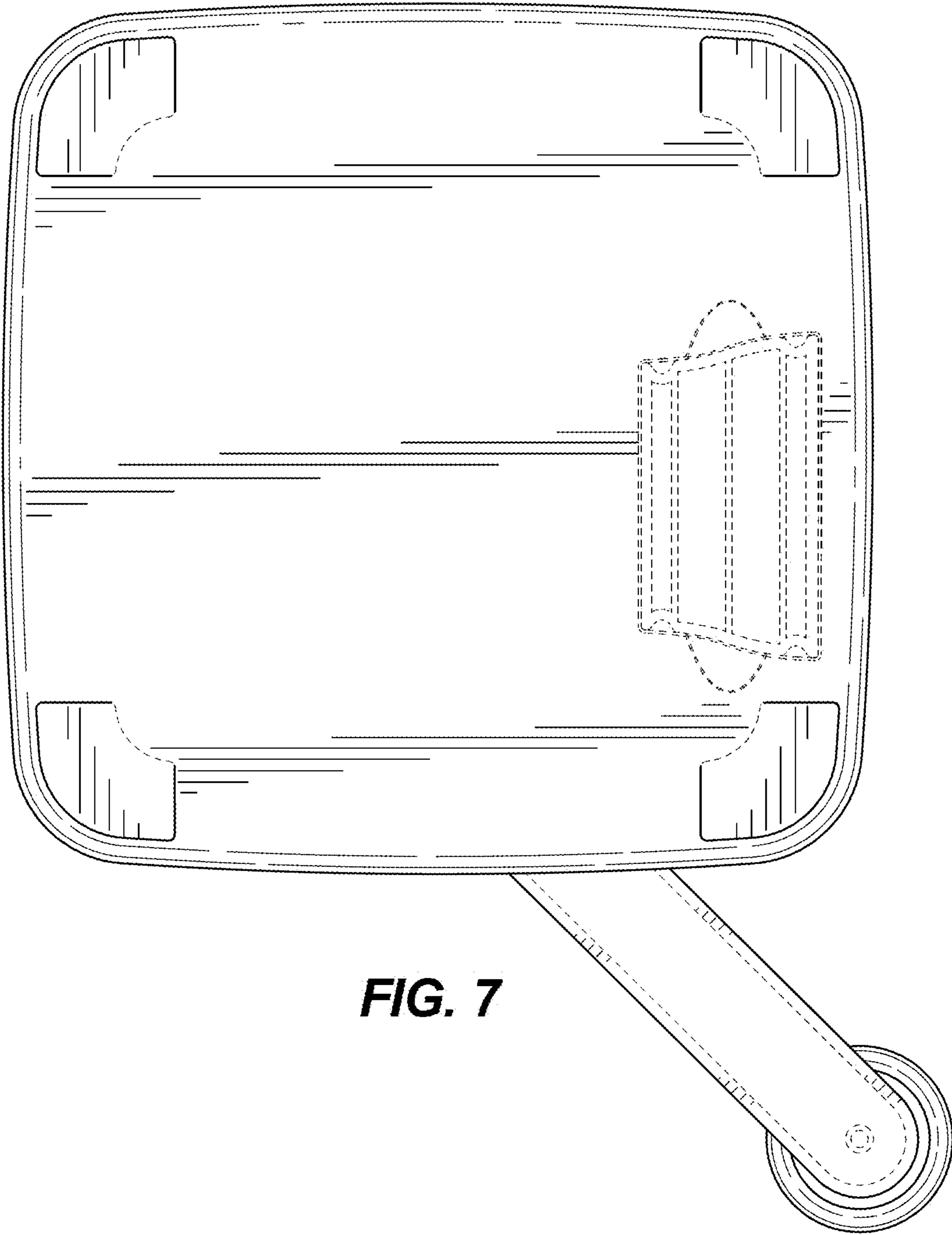


FIG. 7