



US00D953622S

(12) **United States Design Patent** (10) **Patent No.:** **US D953,622 S**  
**Liu** (45) **Date of Patent:** **\*\* May 31, 2022**

(54) **ELECTRONIC CIGARETTE**  
(71) Applicant: **Shenzhen Eigate Technology Co., Ltd.**, Shenzhen (CN)  
(72) Inventor: **Tuanfang Liu**, Shenzhen (CN)  
(73) Assignee: **SHENZHEN EIGATE TECHNOLOGY CO., LTD.**, Shenzhen (CN)

D819,880 S \* 6/2018 Qiu ..... D27/101  
D819,882 S \* 6/2018 Qiu ..... D27/101  
D828,621 S \* 9/2018 Qiu ..... D27/162  
D828,622 S \* 9/2018 Chen ..... D27/162  
D854,236 S \* 7/2019 Qiu ..... D27/101  
D855,249 S \* 7/2019 Qiu ..... D27/162  
D855,250 S \* 7/2019 Qiu ..... D27/162  
D871,666 S \* 12/2019 Qiu ..... D27/163  
D890,416 S \* 7/2020 Ouyang ..... D27/162  
D910,907 S \* 2/2021 Liu ..... D27/162  
D914,278 S \* 3/2021 Luo ..... D27/162  
D924,477 S \* 7/2021 Liu ..... D27/162  
D927,771 S \* 8/2021 Wang ..... D27/101

(\*\*) Term: **15 Years**

\* cited by examiner

(21) Appl. No.: **29/740,723**

*Primary Examiner* — Rebecca Tsehaye

(22) Filed: **Jul. 7, 2020**

(74) *Attorney, Agent, or Firm* — Matthias Scholl P.C.;  
Matthias Scholl

(51) **LOC (13) Cl.** ..... **27-02**

(52) **U.S. Cl.**  
USPC ..... **D27/162**

(57) **CLAIM**

(58) **Field of Classification Search**  
USPC ..... D27/162, 100, 101, 163–165, 167, 169,  
D27/172, 174, 183, 185–192, 194;  
D24/110, 110.5; D9/516, 522, 523;  
D23/360, 366  
CPC .... A24F 47/008; A24F 47/006; A24F 47/002;  
A61M 15/00; A61M 15/06; A61M  
15/0021

The ornamental design for an electronic cigarette, as shown and described.

See application file for complete search history.

**DESCRIPTION**

(56) **References Cited**

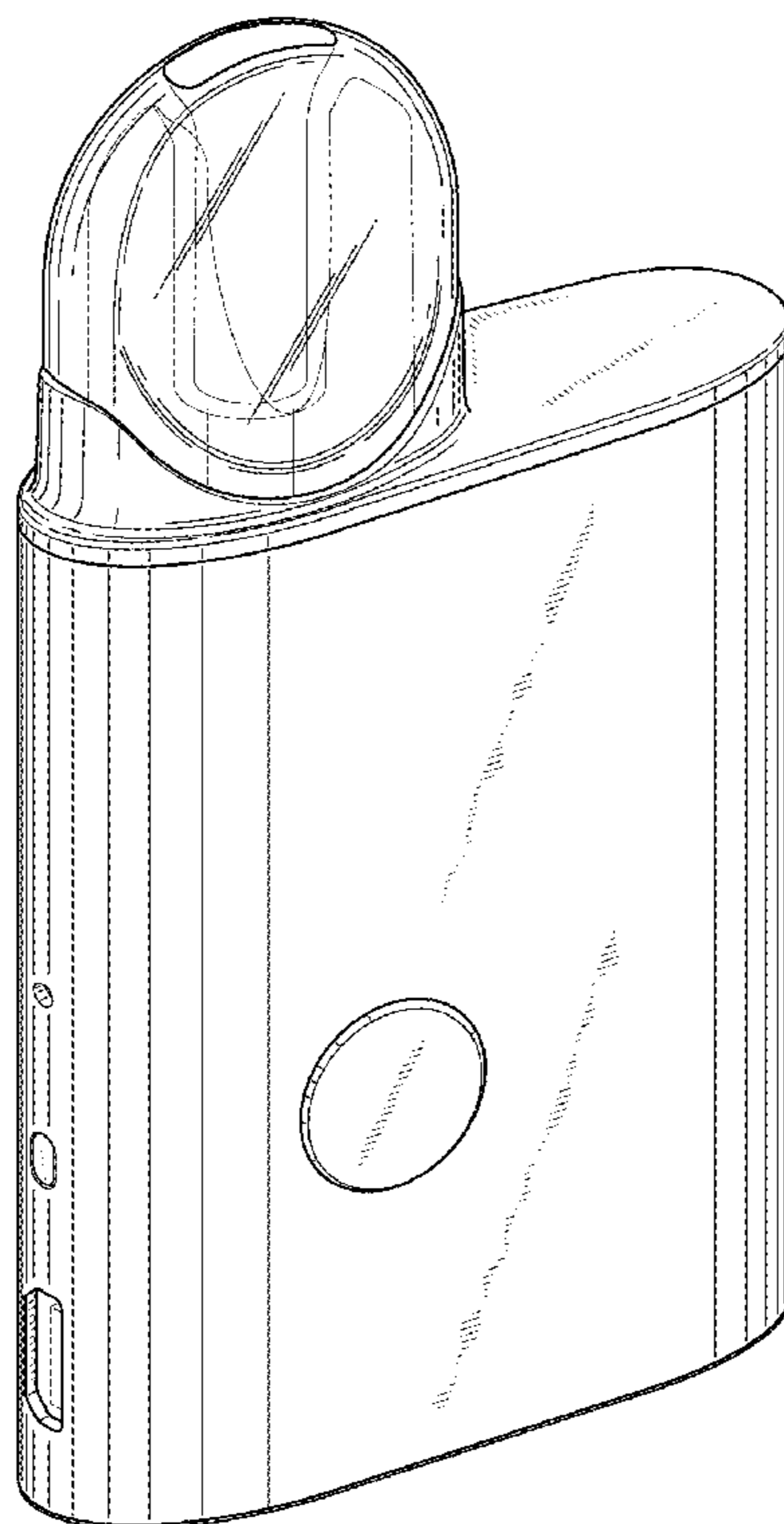
FIG. 1 is a front elevation view of an electronic cigarette;  
FIG. 2 is a rear elevation view thereof;  
FIG. 3 is a left-side elevation view thereof;  
FIG. 4 is a right-side elevation view thereof;  
FIG. 5 is a top plan view thereof;  
FIG. 6 is a bottom plan view thereof; and,  
FIG. 7 is a perspective view thereof.

U.S. PATENT DOCUMENTS

D771,867 S \* 11/2016 Leidel ..... D27/163  
D799,111 S \* 10/2017 Qiu ..... D27/101  
D799,743 S \* 10/2017 Qiu ..... D27/101

The broken lines in the drawings depict portions of the electronic cigarette that form no part of the claimed design.

**1 Claim, 7 Drawing Sheets**



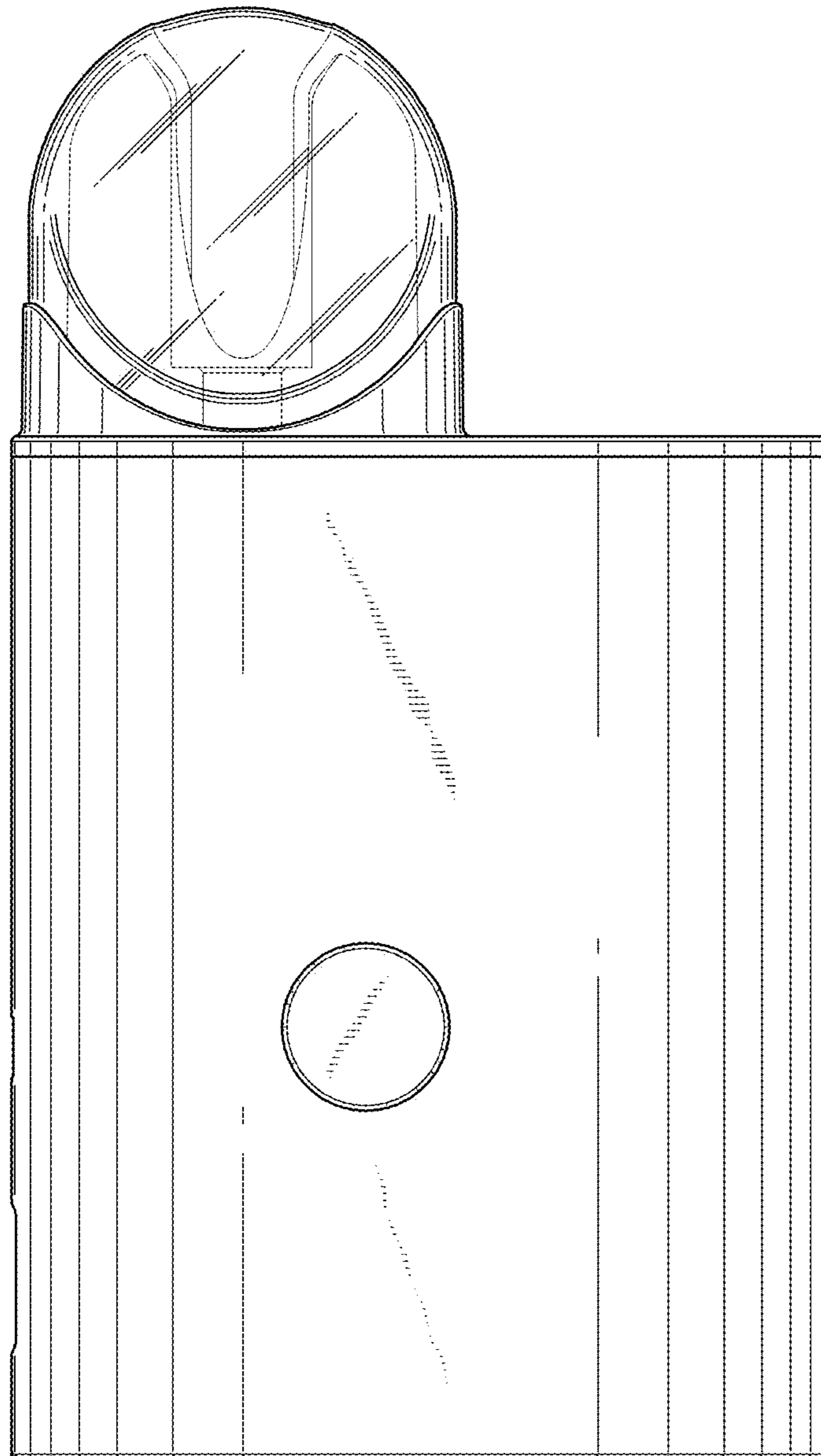


FIG. 1

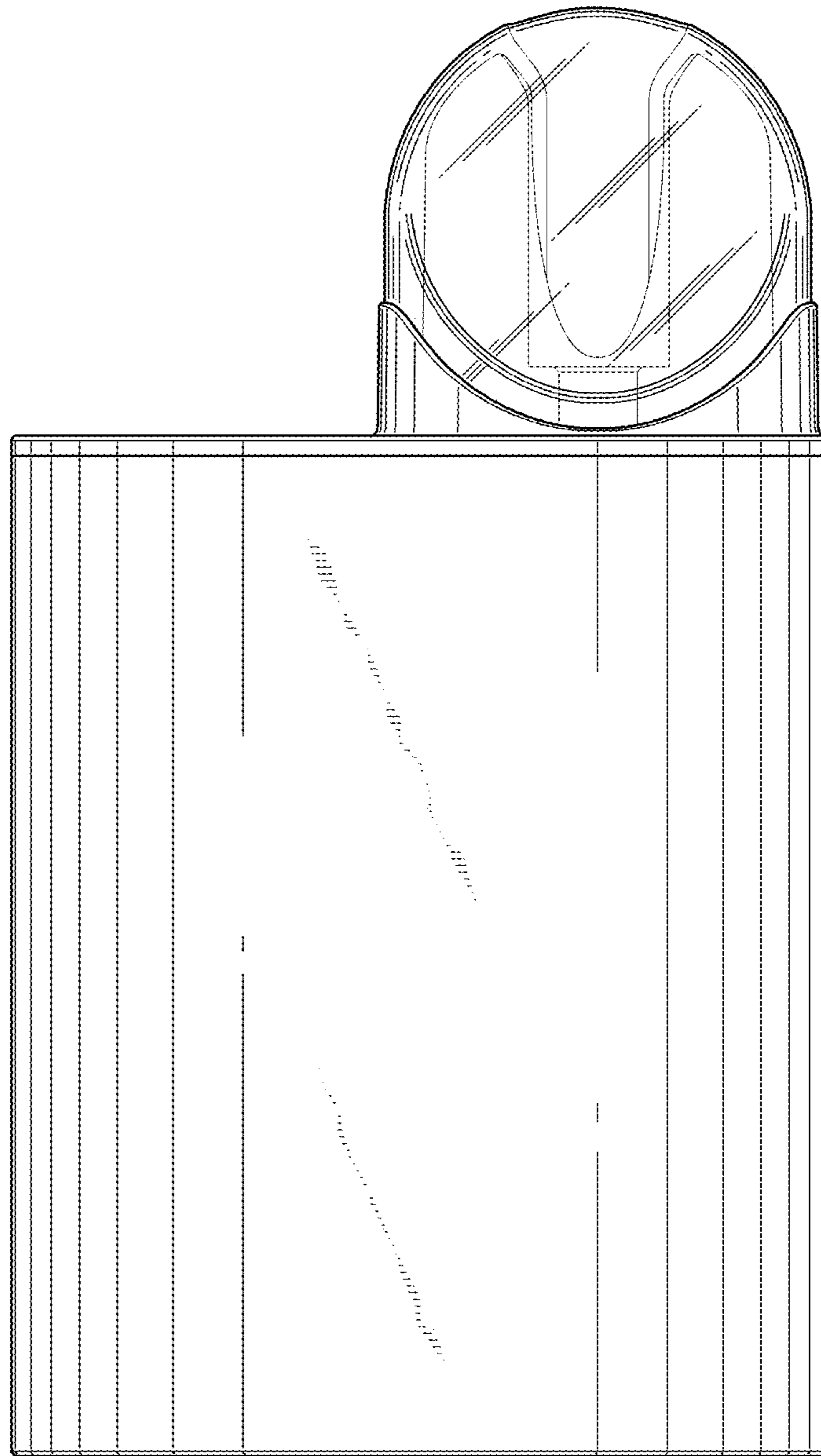
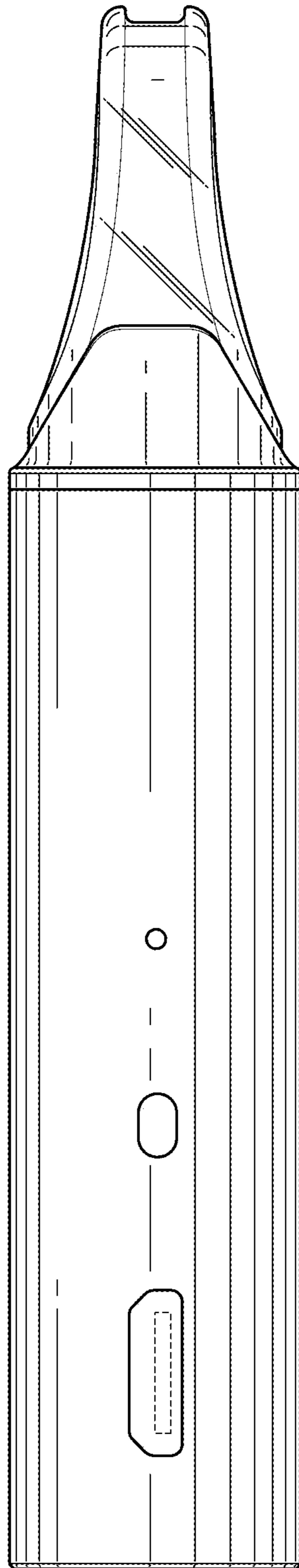
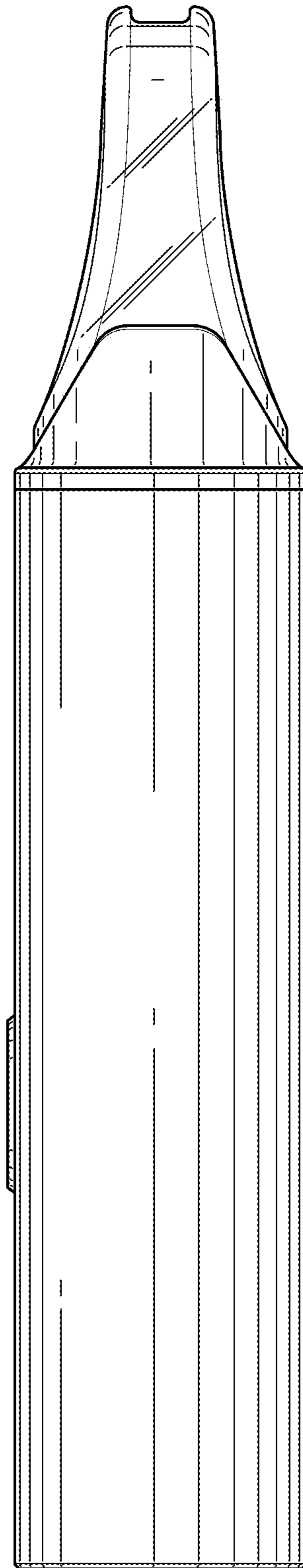


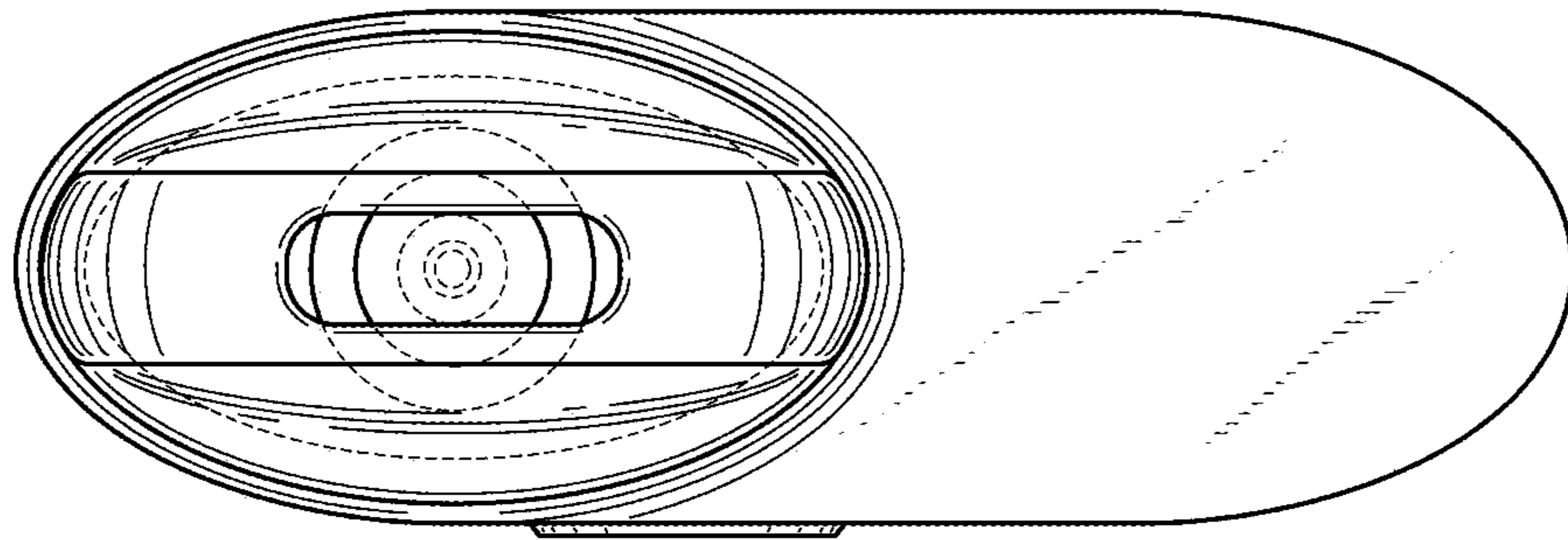
FIG. 2



**FIG. 3**



**FIG. 4**



**FIG. 5**

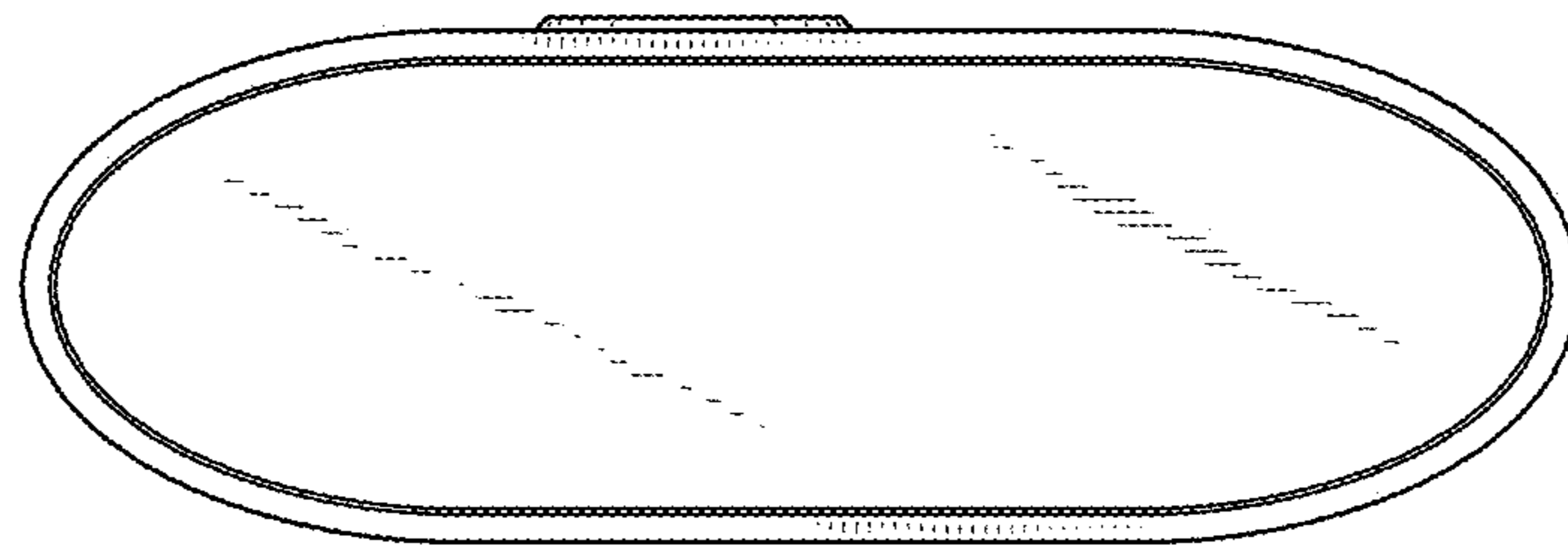


FIG. 6

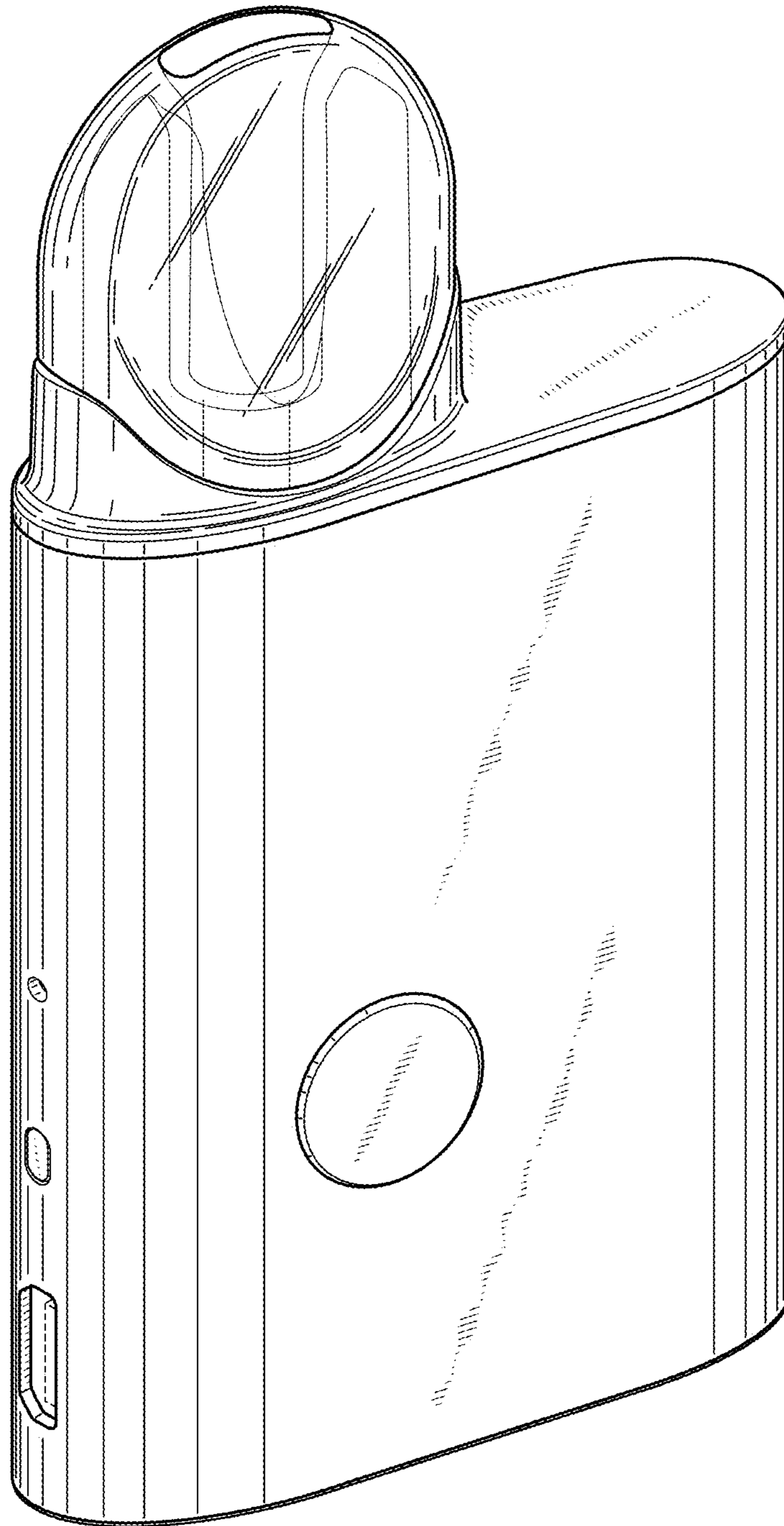


FIG. 7