



US00D953620S

(12) **United States Design Patent** (10) **Patent No.:** **US D953,620 S**
Liu (45) **Date of Patent:** **** May 31, 2022**

(54) **ELECTRONIC CIGARETTE**
(71) Applicant: **Shenzhen Eigate Technology Co., Ltd.**, Shenzhen (CN)
(72) Inventor: **Tuanfang Liu**, Shenzhen (CN)
(73) Assignee: **SHENZHEN EIGATE TECHNOLOGY CO., LTD.**, Shenzhen (CN)
(**) Term: **15 Years**

D828,621 S * 9/2018 Qiu D27/162
D828,622 S * 9/2018 Chen D27/162
D831,269 S * 10/2018 Qiu D27/162
D854,236 S * 7/2019 Qiu D27/101
D855,249 S * 7/2019 Qiu D27/162
D855,250 S * 7/2019 Qiu D27/162
D871,666 S * 12/2019 Qiu D27/163
D890,416 S * 7/2020 Ouyang D27/162
D910,907 S * 2/2021 Liu D27/162
D914,278 S * 3/2021 Luo D27/162
D924,477 S * 7/2021 Liu D27/162
D927,771 S * 8/2021 Wang D27/101
D939,762 S * 12/2021 Liu D27/162
D942,674 S * 2/2022 Ouyang D27/162
D943,814 S * 2/2022 Liu D27/162

(21) Appl. No.: **29/740,709**
(22) Filed: **Jul. 7, 2020**
(51) **LOC (13) Cl.** **27-02**
(52) **U.S. Cl.**
USPC **D27/162**
(58) **Field of Classification Search**
USPC D27/162, 100, 101, 163–165, 167, 169,
D27/172, 174, 183, 185–192, 194;
D24/110, 110.5; D9/516, 522, 523
CPC A24F 47/008; A24F 47/006; A24F 47/002;
A61M 15/00; A61M 15/06
See application file for complete search history.

* cited by examiner

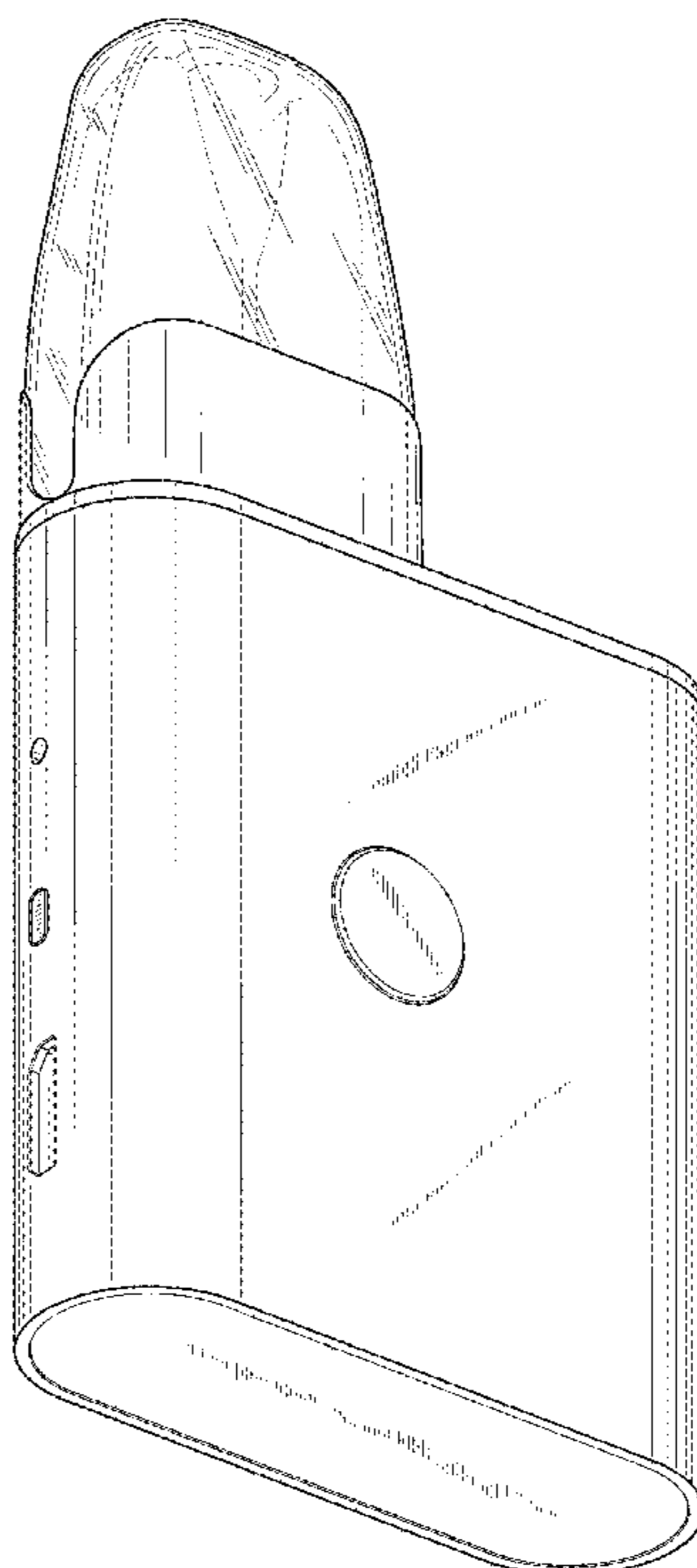
Primary Examiner — Rebecca Tsehaye
(74) *Attorney, Agent, or Firm* — Matthias Scholl P.C.;
Matthias Scholl

(56) **References Cited**
U.S. PATENT DOCUMENTS
D771,867 S * 11/2016 Leidel D27/163
D799,111 S * 10/2017 Qiu D27/101
D799,743 S * 10/2017 Qiu D27/101
D819,880 S * 6/2018 Qiu D27/101
D819,882 S * 6/2018 Qiu D27/101
D821,639 S * 6/2018 Dai D27/162

(57) **CLAIM**
The ornamental design for an electronic cigarette, as shown and described.

DESCRIPTION
FIG. 1 is a front elevation view of an electronic cigarette; FIG. 2 is a rear elevation view thereof; FIG. 3 is a left-side elevation view thereof; FIG. 4 is a right-side elevation view thereof; FIG. 5 is a top plan view thereof; FIG. 6 is a bottom plan view thereof; and, FIG. 7 is a perspective view thereof.
The broken lines in the drawings depict portions of the electronic cigarette that form no part of the claimed design.

1 Claim, 7 Drawing Sheets



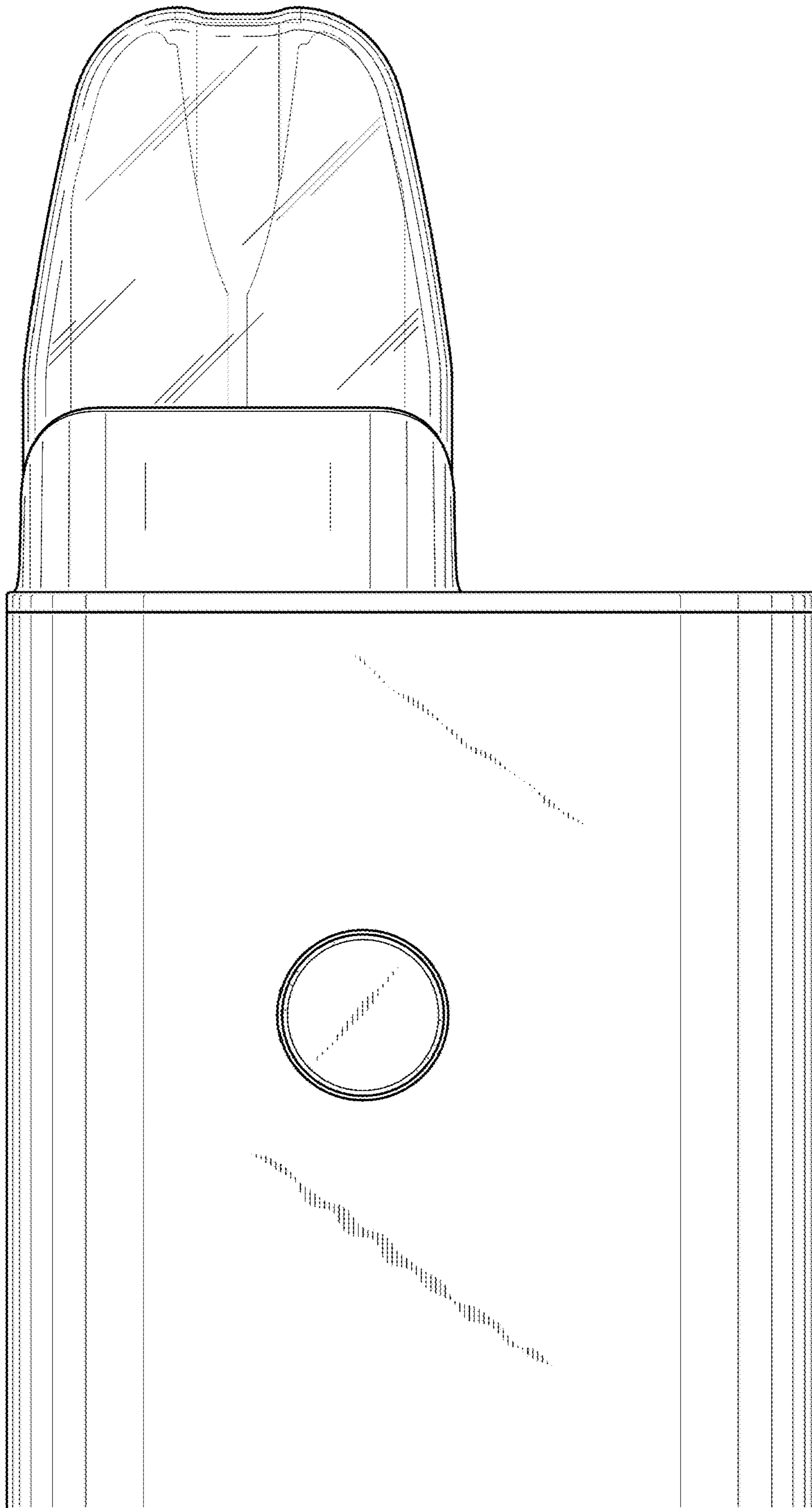


FIG. 1

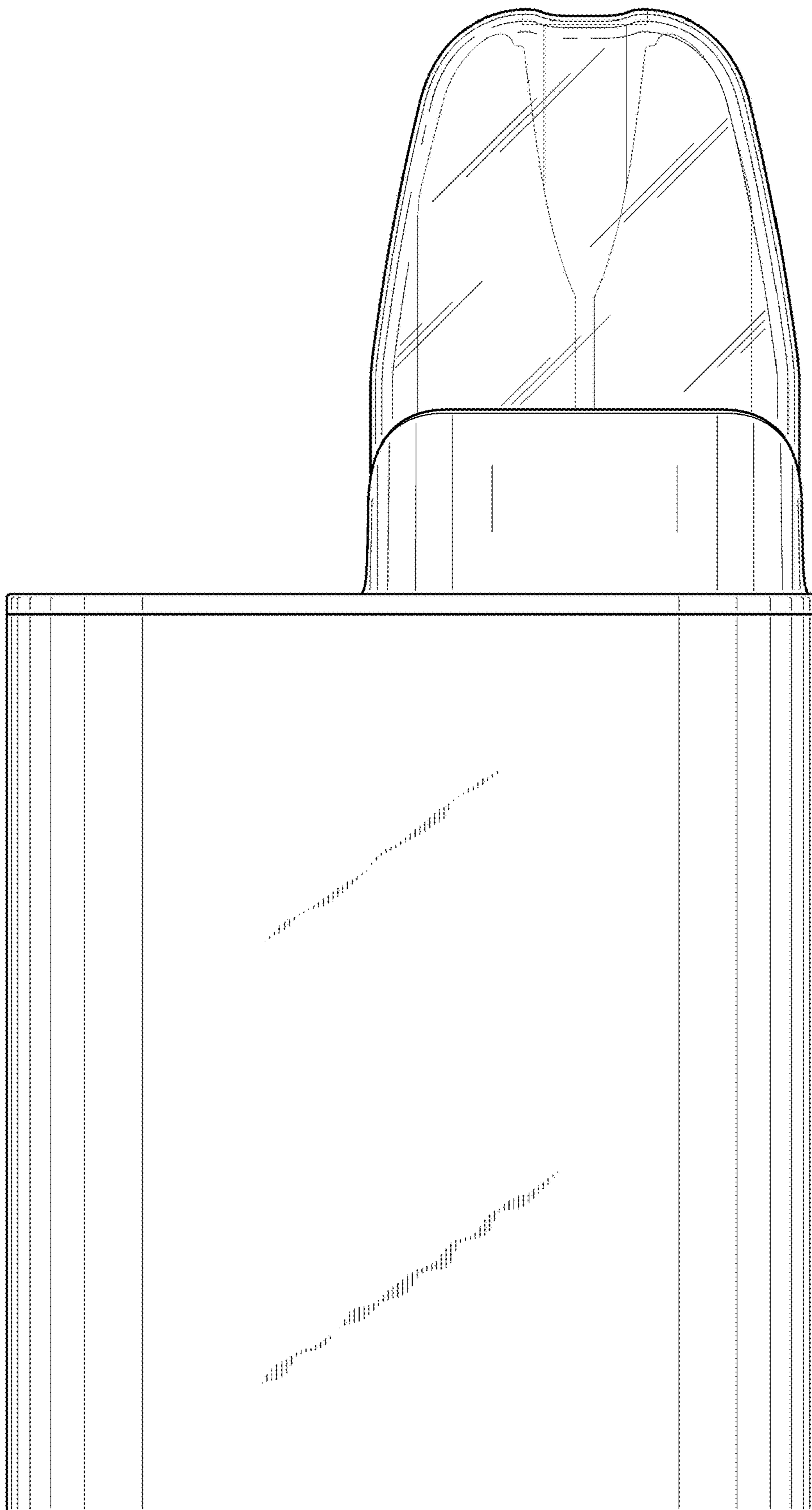


FIG. 2

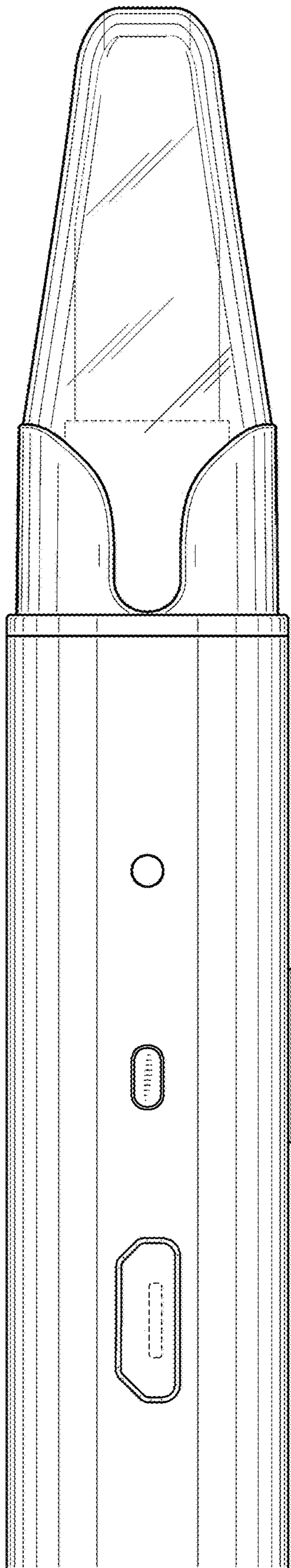


FIG. 3

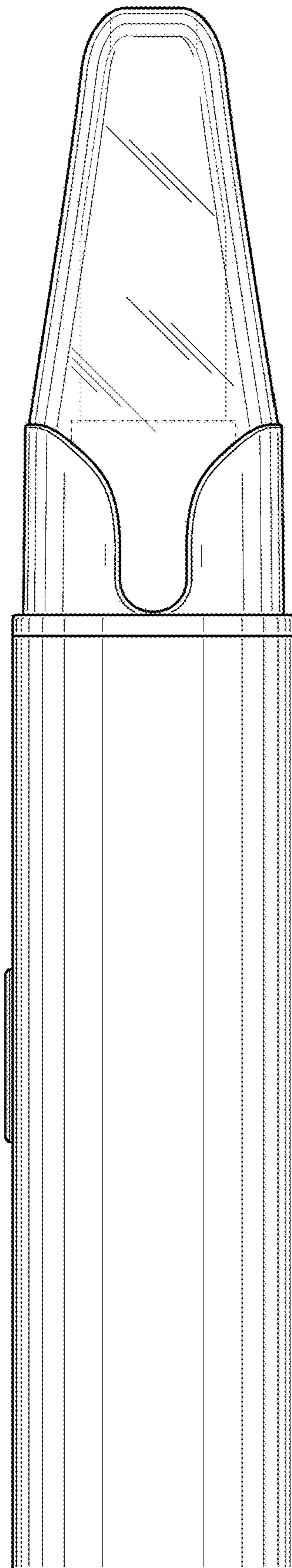


FIG. 4

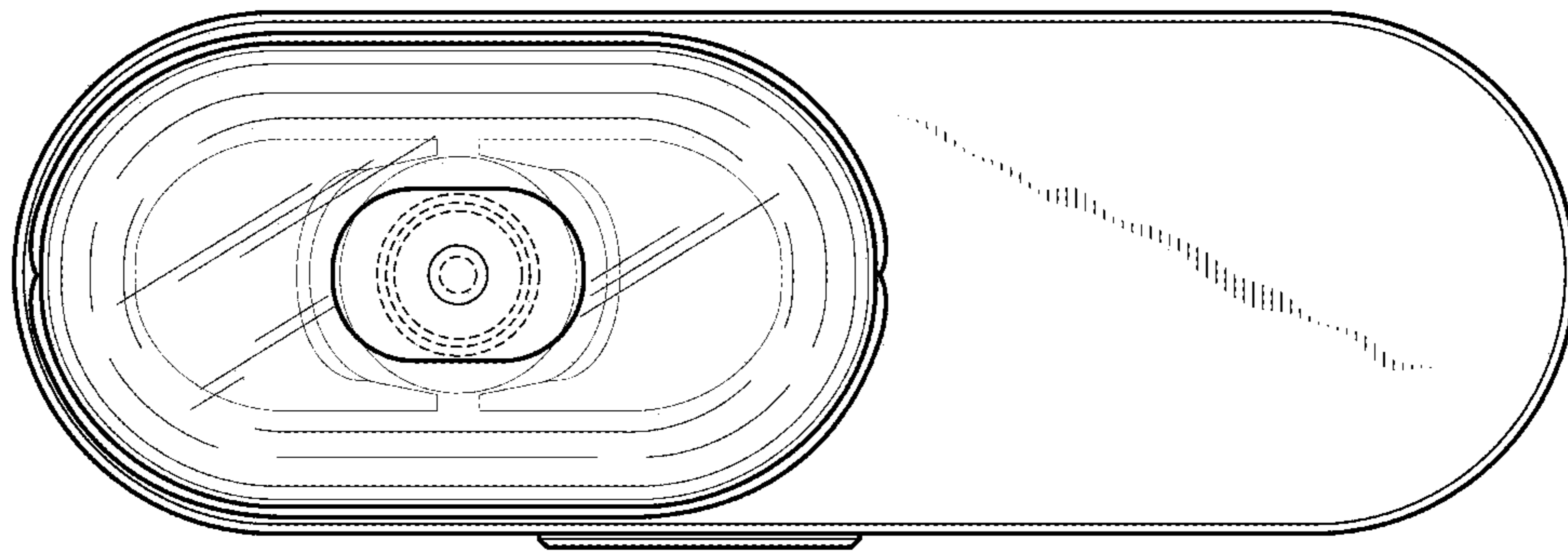


FIG. 5

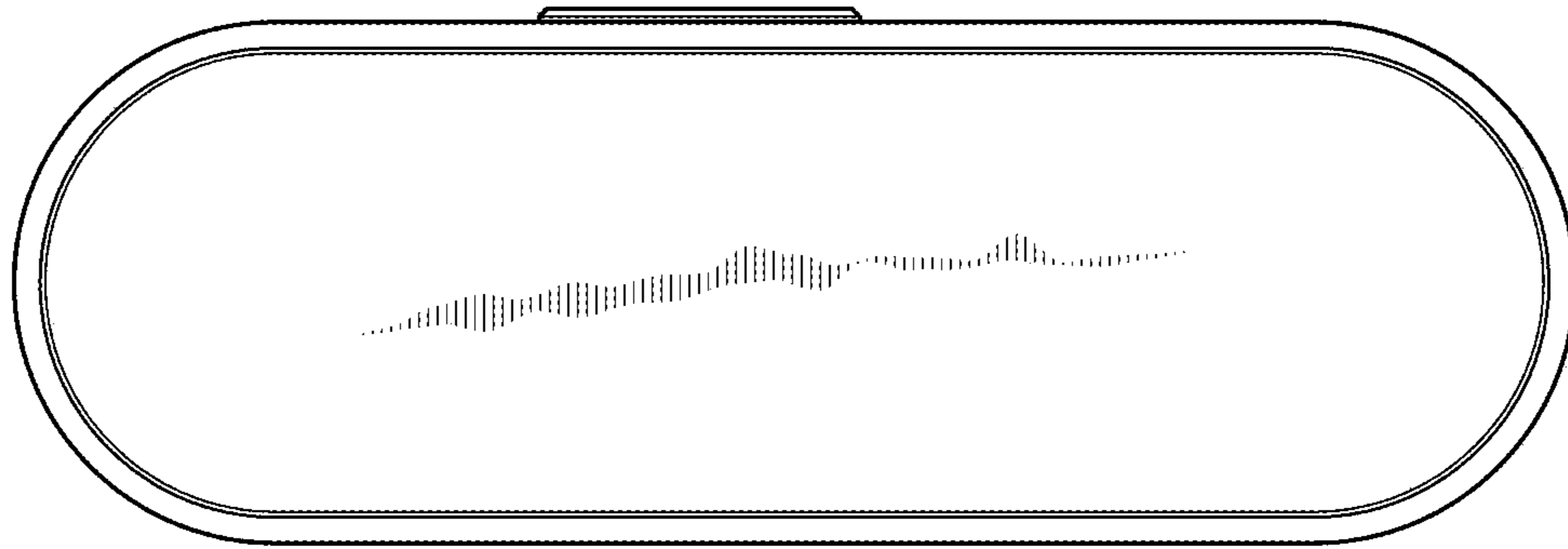


FIG. 6

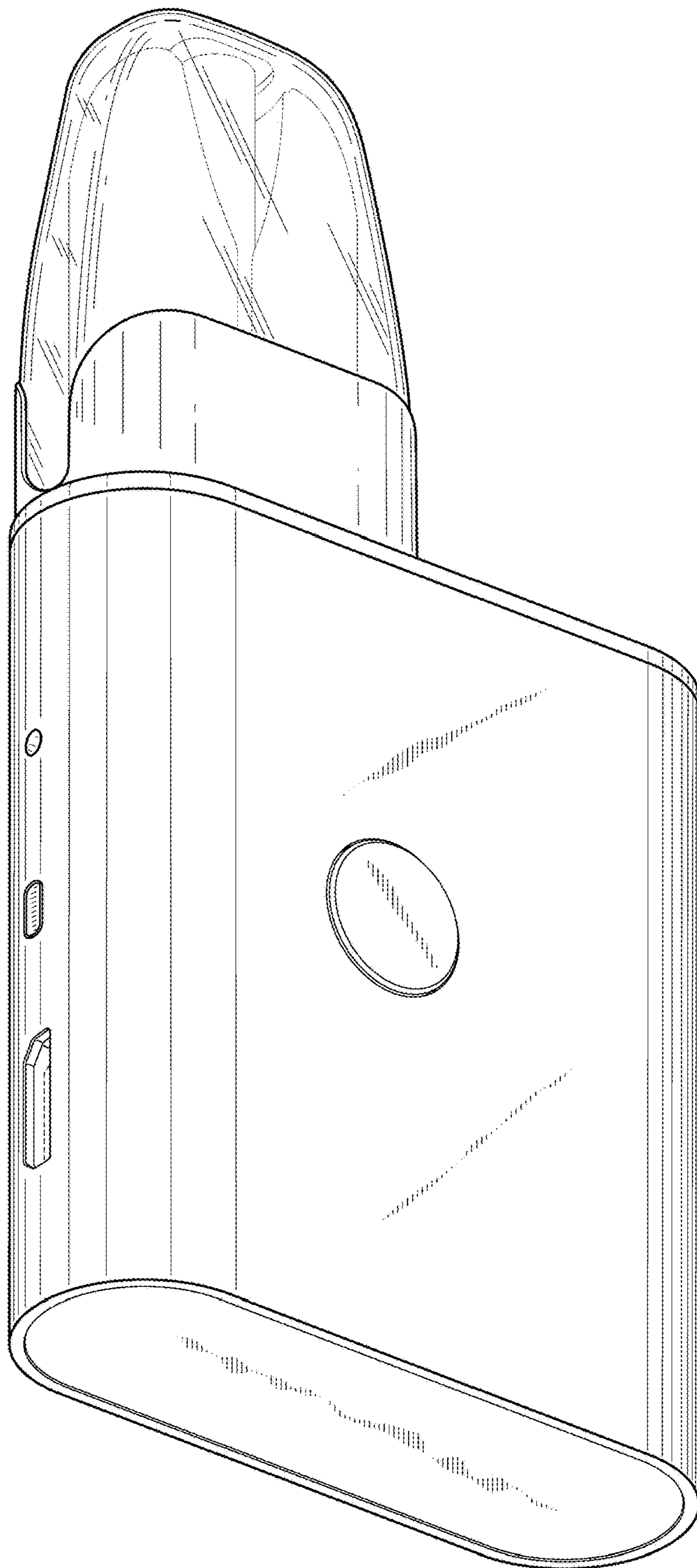


FIG. 7