



US00D953619S

(12) **United States Design Patent** (10) **Patent No.:** **US D953,619 S**  
**Liu** (45) **Date of Patent:** **\*\* May 31, 2022**

(54) **ELECTRONIC CIGARETTE**  
(71) Applicant: **Shenzhen Eigate Technology Co., Ltd.**, Shenzhen (CN)  
(72) Inventor: **Tuanfang Liu**, Shenzhen (CN)  
(73) Assignee: **SHENZHEN EIGATE TECHNOLOGY CO., LTD.**, Shenzhen (CN)  
(\*\*) Term: **15 Years**  
(21) Appl. No.: **29/740,707**  
(22) Filed: **Jul. 7, 2020**  
(51) **LOC (13) Cl.** ..... **27-02**  
(52) **U.S. Cl.**  
USPC ..... **D27/162**  
(58) **Field of Classification Search**  
USPC ..... D27/162, 100, 101, 163–165, 167, 169, D27/172, 174, 183, 185–192, 194; D24/110, 110.5; D9/516, 522, 523  
CPC .... A24F 47/008; A24F 47/006; A24F 47/002; A61M 15/00; A61M 15/06  
See application file for complete search history.

D854,236 S \* 7/2019 Qiu ..... D27/101  
D855,249 S \* 7/2019 Qiu ..... D27/162  
D871,666 S \* 12/2019 Qiu ..... D27/163  
D890,416 S \* 7/2020 Ouyang ..... D27/162  
D907,288 S \* 1/2021 Liu ..... D27/162  
D910,907 S \* 2/2021 Liu ..... D27/162  
D914,278 S \* 3/2021 Luo ..... D27/162  
D924,477 S \* 7/2021 Liu ..... D27/162

**OTHER PUBLICATIONS**

VAPE By: Decal Vinyl found on Amazon Jul. 31, 2021 [https://www.amazon.com/Decal-Vinyl-G-Priv-stickers-skins/dp/B06XT63CXF/ref=pd\\_sbs\\_2/131-2274514-7147054?pd\\_rd\\_w=304hn&pf\\_rd\\_p=](https://www.amazon.com/Decal-Vinyl-G-Priv-stickers-skins/dp/B06XT63CXF/ref=pd_sbs_2/131-2274514-7147054?pd_rd_w=304hn&pf_rd_p=) Jan. 31, 2019.\*

\* cited by examiner

*Primary Examiner* — Rebecca Tsehaye  
(74) *Attorney, Agent, or Firm* — Matthias Scholl P.C.; Matthias Scholl

(57) **CLAIM**

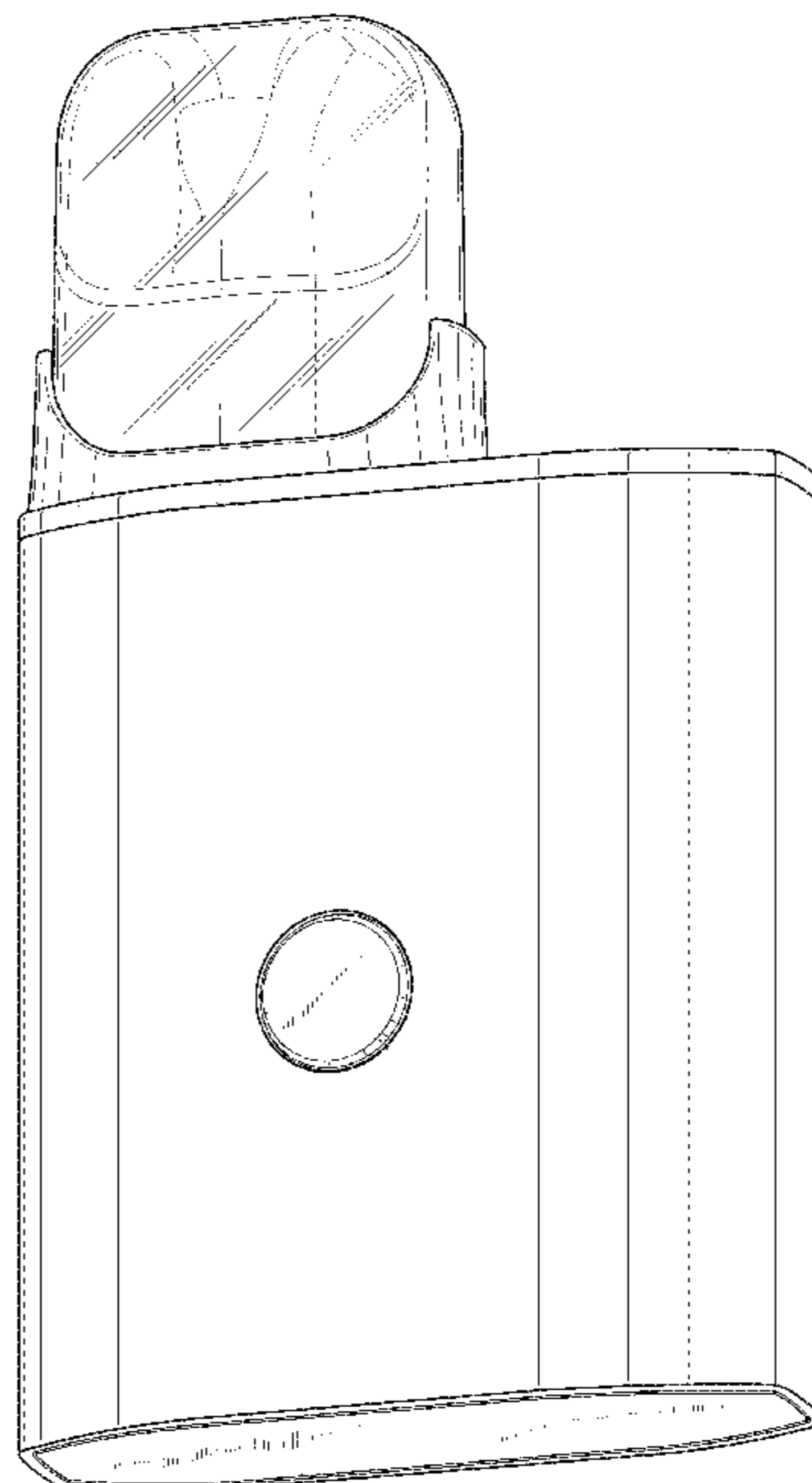
The ornamental design for an electronic cigarette, as shown and described.

**DESCRIPTION**

FIG. 1 is a front elevation view of an electronic cigarette; FIG. 2 is a rear elevation view thereof; FIG. 3 is a left-side elevation view thereof; FIG. 4 is a right-side elevation view thereof; FIG. 5 is a top plan view thereof; FIG. 6 is a bottom plan view thereof; FIG. 7 is a perspective view thereof; and, FIG. 8 is another perspective view thereof. The broken lines in the drawings depict portions of the electronic cigarette that form no part of the claimed design.

**1 Claim, 8 Drawing Sheets**

(56) **References Cited**  
U.S. PATENT DOCUMENTS  
D753,336 S \* 4/2016 Chen ..... D27/101  
D771,867 S \* 11/2016 Leidel ..... D27/163  
D775,762 S \* 1/2017 Chen ..... D27/101  
D799,111 S \* 10/2017 Qiu ..... D27/101  
D799,743 S \* 10/2017 Qiu ..... D27/101  
D799,746 S \* 10/2017 Leidel ..... D27/163  
D800,377 S \* 10/2017 Liu ..... D27/101  
D819,882 S \* 6/2018 Qiu ..... D27/101  
D828,621 S \* 9/2018 Qiu ..... D27/162  
D828,622 S \* 9/2018 Chen ..... D27/162



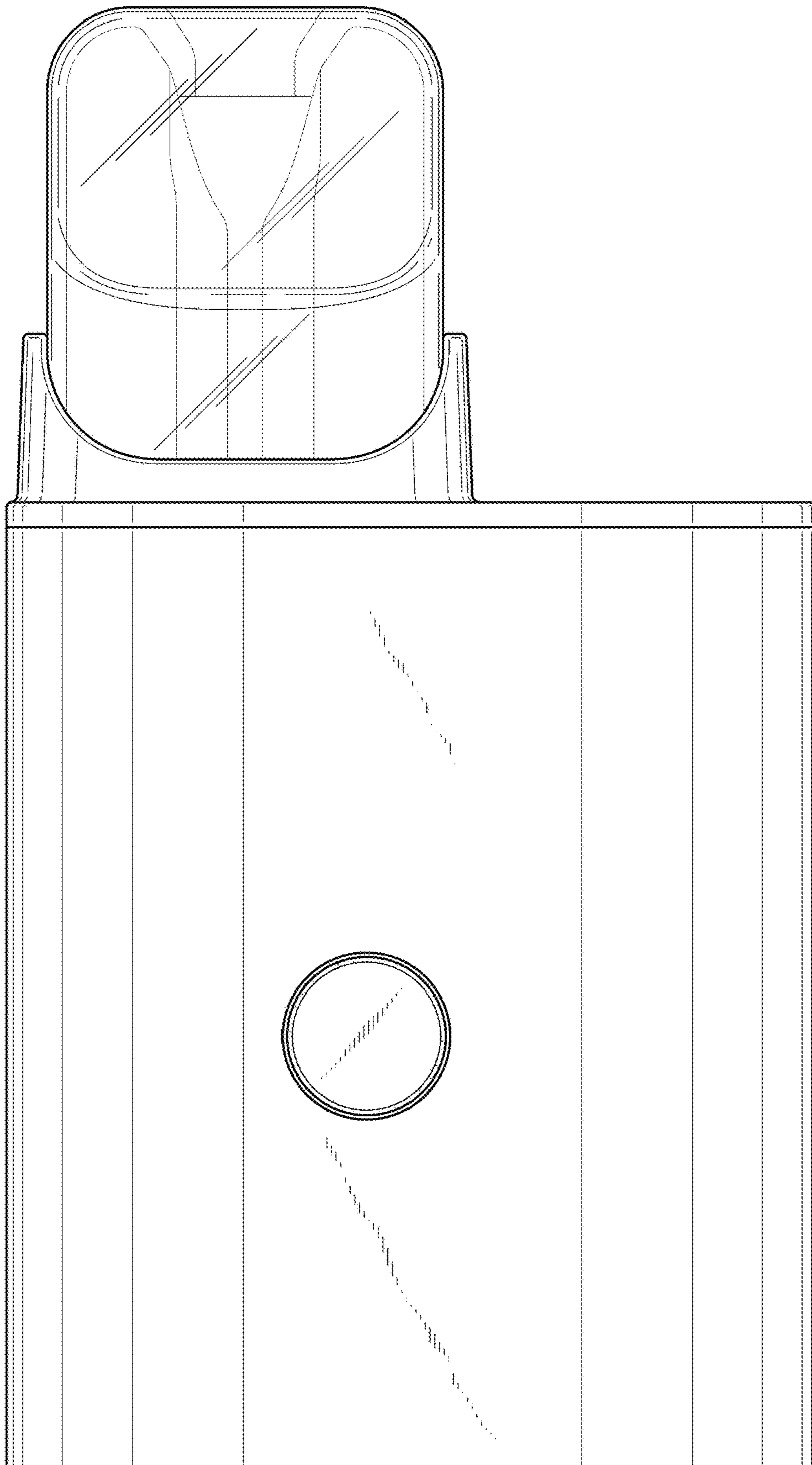
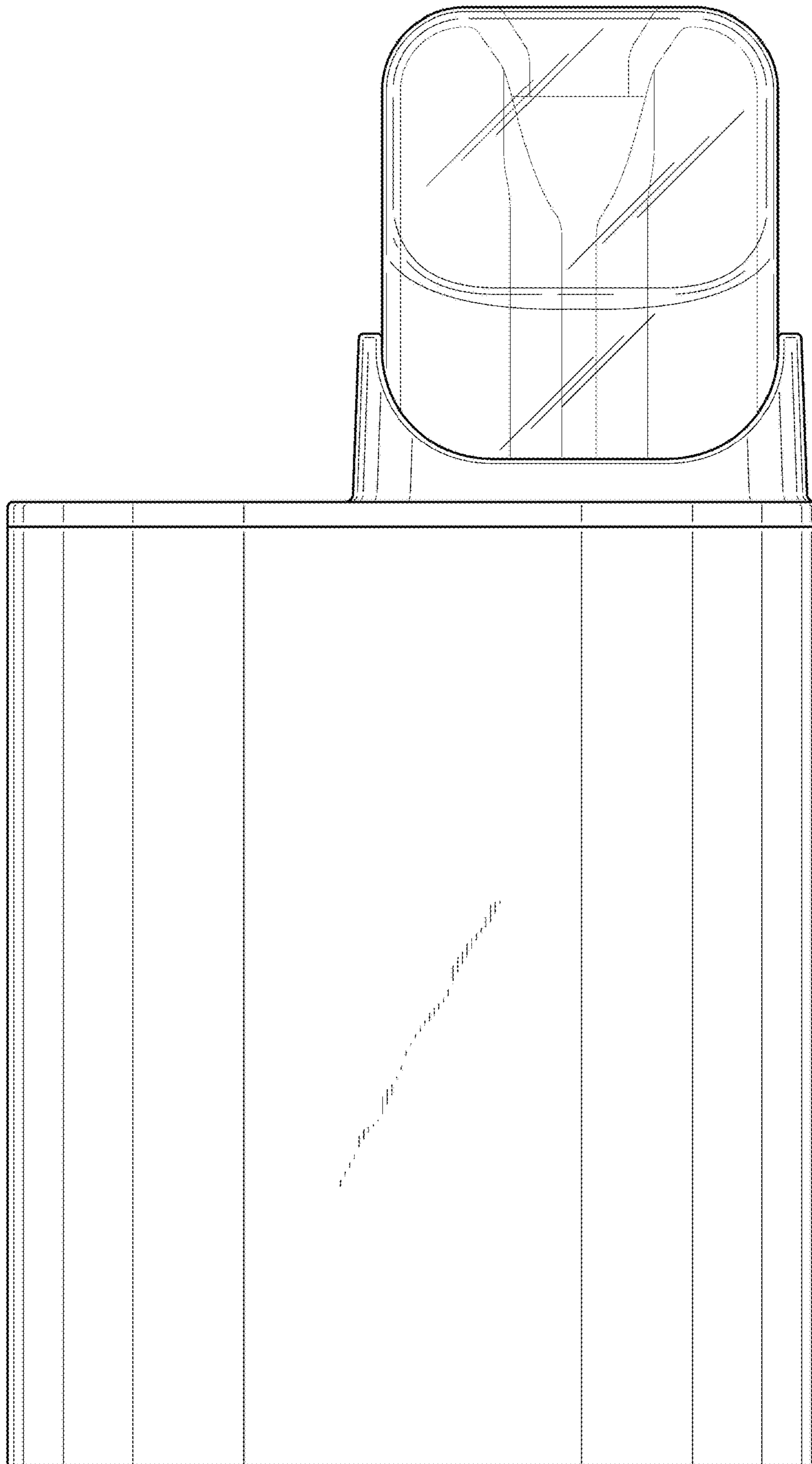
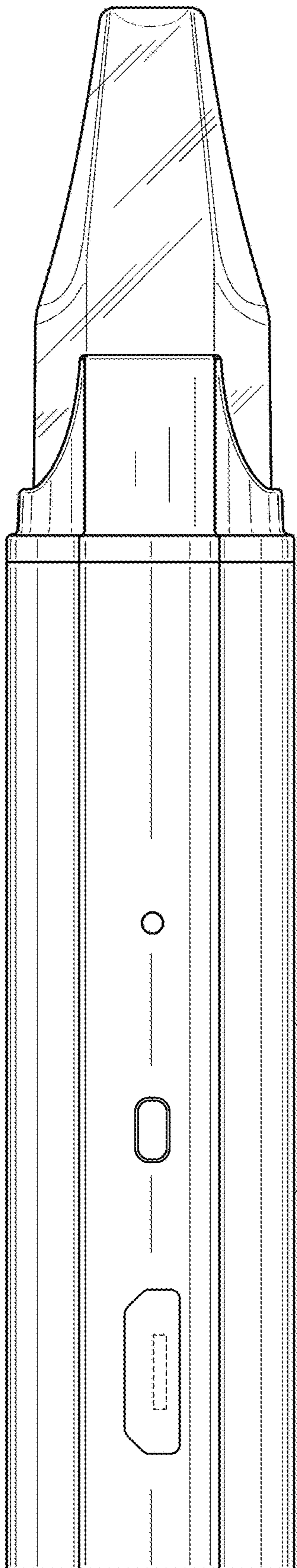


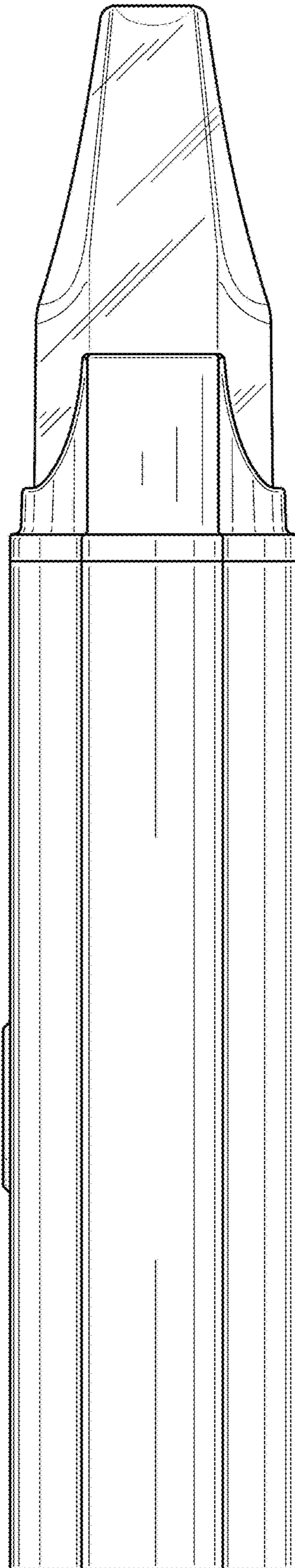
FIG. 1



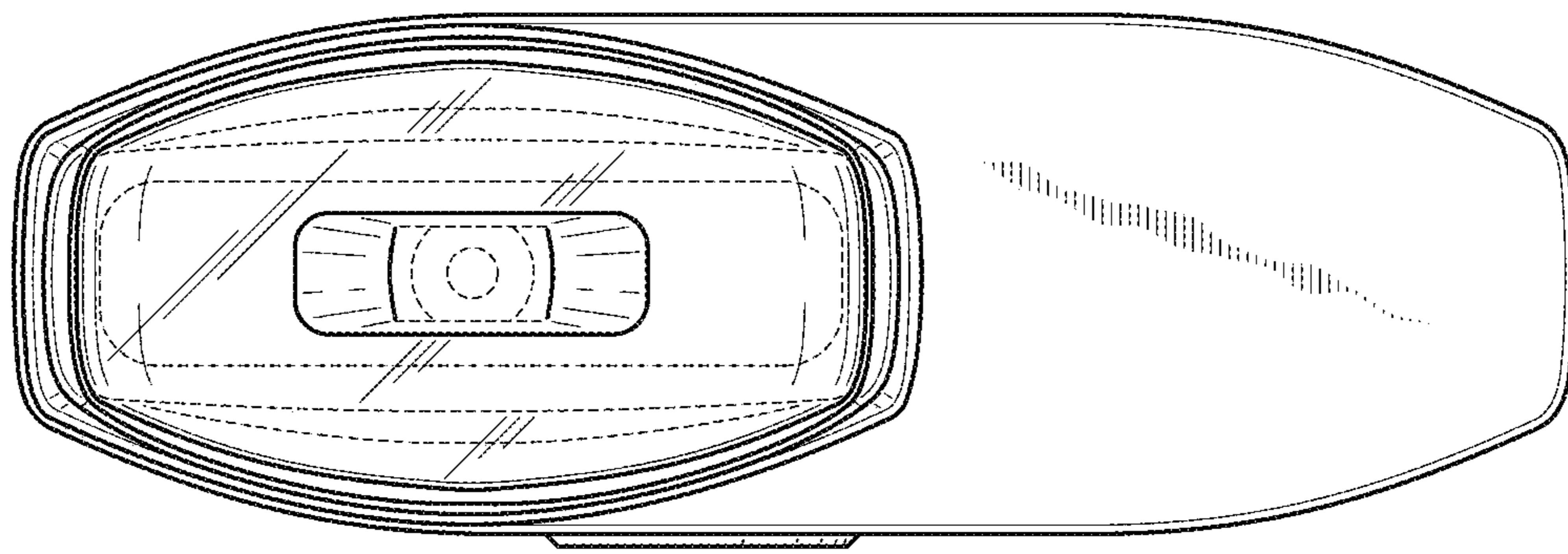
**FIG. 2**



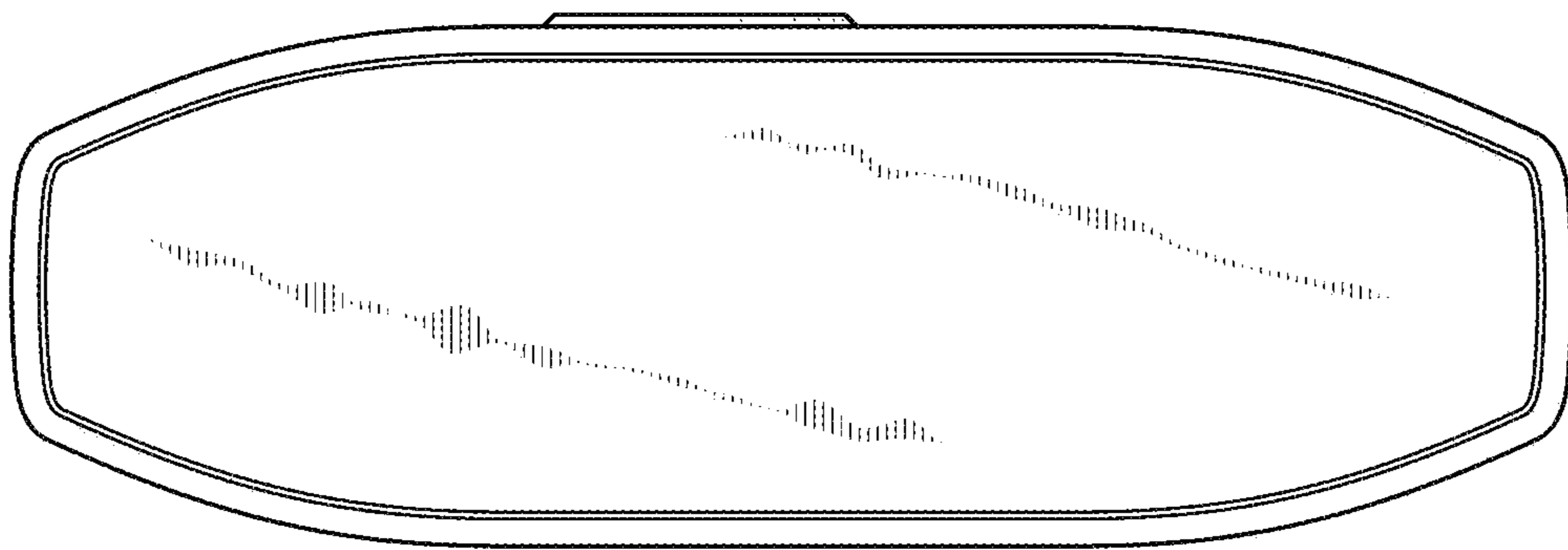
**FIG. 3**



**FIG. 4**



**FIG. 5**



**FIG. 6**

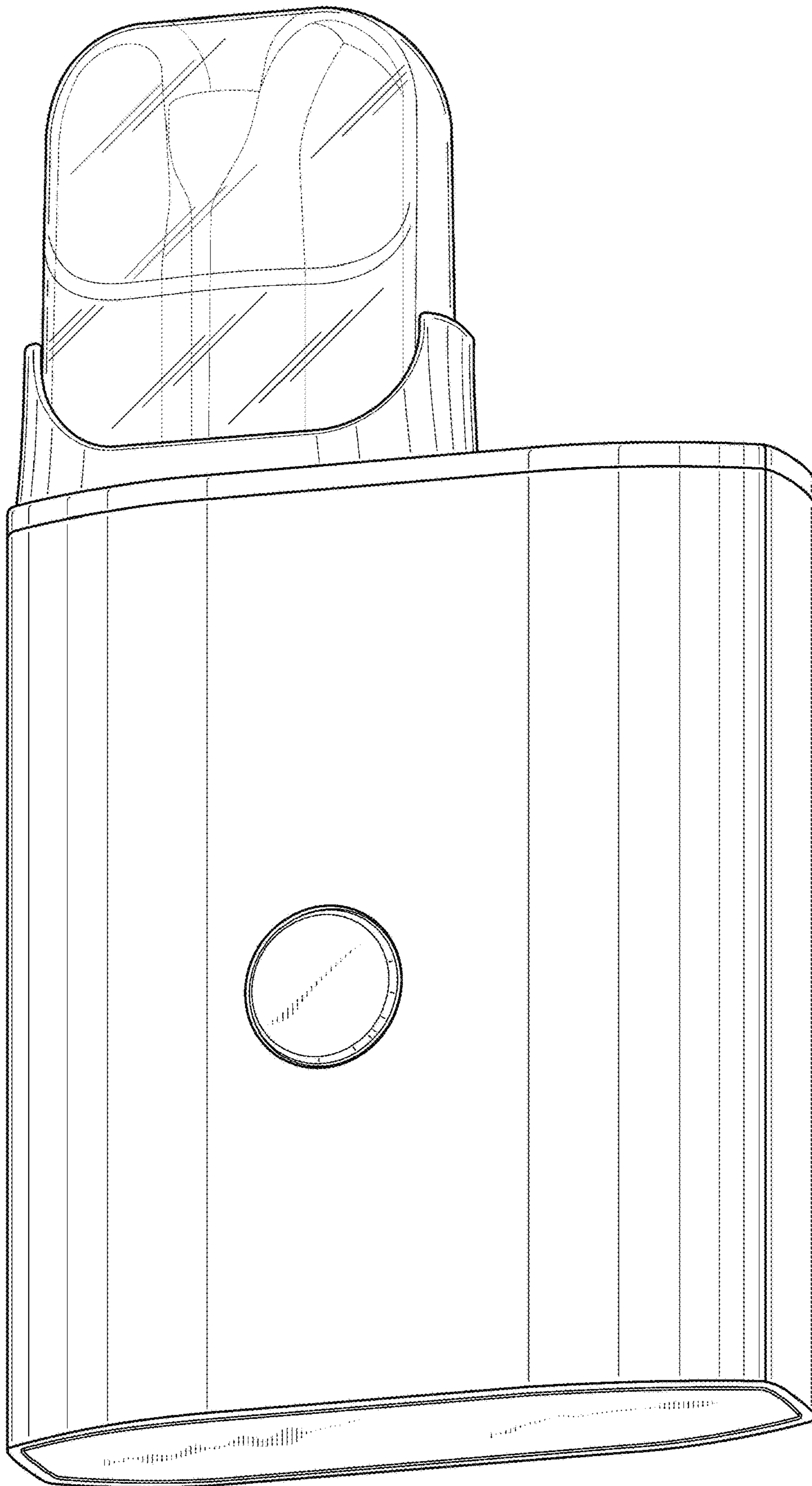


FIG. 7



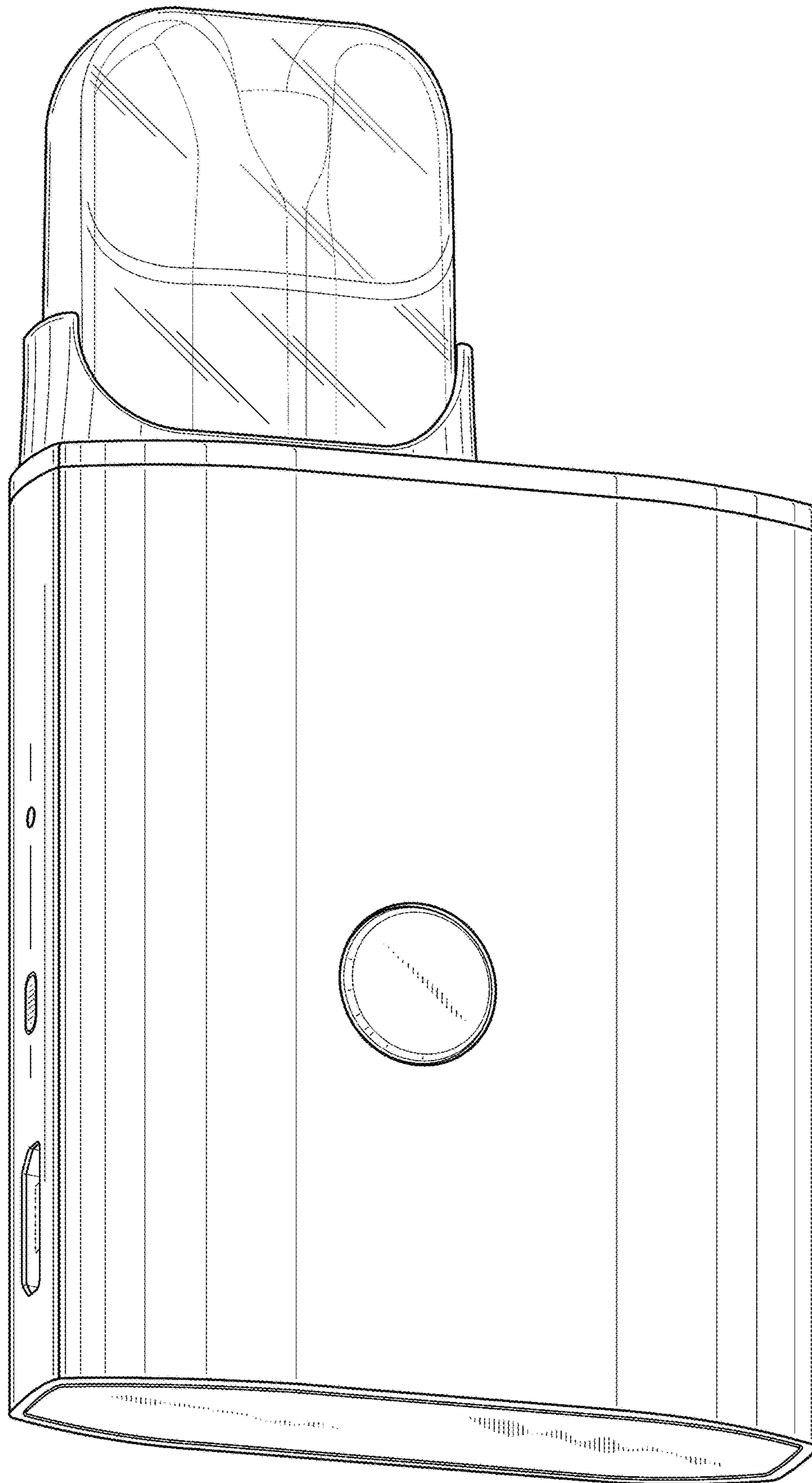


FIG. 8