



US00D953618S

(12) **United States Design Patent** (10) **Patent No.:** **US D953,618 S**
Liu (45) **Date of Patent:** **** May 31, 2022**

(54) **ELECTRONIC CIGARETTE ATOMIZER**
(71) Applicant: **Shenzhen Eigate Technology Co., Ltd.**, Shenzhen (CN)
(72) Inventor: **Tuanfang Liu**, Shenzhen (CN)
(73) Assignee: **SHENZHEN EIGATE TECHNOLOGY CO., LTD.**, Shenzhen (CN)

D881,456 S * 4/2020 Chen D27/162
D883,567 S * 5/2020 Liu D27/162
D900,387 S * 10/2020 Liu D27/162
D917,778 S * 4/2021 Liu D27/162
D920,572 S * 5/2021 Liu D27/167
D921,285 S * 6/2021 Liu D27/167
D921,974 S * 6/2021 Li D27/162
D923,867 S * 6/2021 Liu D27/167
D926,358 S * 7/2021 Liu D27/162
D926,360 S * 7/2021 Liu D27/162
D926,365 S * 7/2021 Liu D27/167

(**) Term: **15 Years**
(21) Appl. No.: **29/740,448**
(22) Filed: **Jul. 3, 2020**

OTHER PUBLICATIONS

Vaporizer By: PULSAR found on line Aug. 12, 2021 <https://www.pulsarvaporizers.com/products/barb-fire-wax-mod-atomizer> Feb. 12, 2017.*

(30) **Foreign Application Priority Data**
Jan. 4, 2020 (CN) 202030004227.X
(51) **LOC (13) Cl.** **27-02**
(52) **U.S. Cl.**
USPC **D27/162**
(58) **Field of Classification Search**
USPC D27/162, 100, 101, 163–165, 167, 169,
D27/172, 180–183, 185–194; D24/110,
D24/110.5; D23/360, 366
CPC A24F 47/00; A24F 47/02; A24F 47/04;
A24F 47/08; A61M 15/0001; A61M
15/001; A61M 15/0028; A61M 15/00;
A61M 15/06
See application file for complete search history.

* cited by examiner

Primary Examiner — Rebecca Tsehaye
(74) *Attorney, Agent, or Firm* — Matthias Scholl P.C.;
Matthias Scholl

(57) **CLAIM**

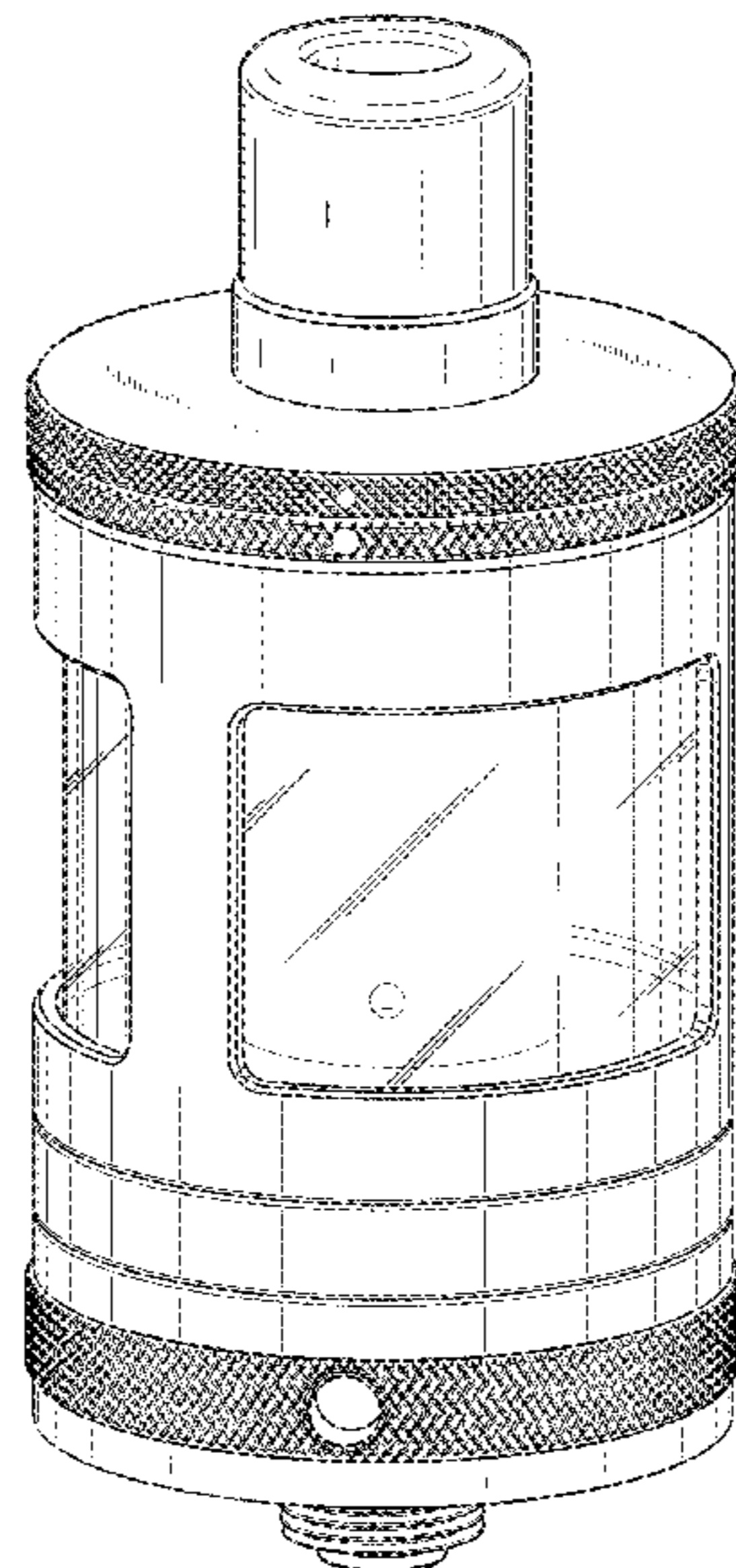
The ornamental design for an electronic cigarette atomizer, as shown and described.

DESCRIPTION

FIG. 1 is a front elevation view of an electronic cigarette atomizer;
FIG. 2 is a rear elevation view thereof;
FIG. 3 is a left-side elevation view thereof;
FIG. 4 is a right-side elevation view thereof;
FIG. 5 is a top plan view thereof;
FIG. 6 is a bottom plan view thereof; and,
FIG. 7 is a perspective view thereof.
The broken lines in the drawings depict portions of the electronic cigarette atomizer that form no part of the claimed design.

(56) **References Cited**
U.S. PATENT DOCUMENTS
D811,652 S * 2/2018 Liu D27/167
D836,243 S * 12/2018 Liu D27/167
D854,739 S * 7/2019 Li D27/162
D861,978 S * 10/2019 Lai D27/167
D869,752 S * 12/2019 Dong D27/162
D877,975 S * 3/2020 Crowe D27/162

1 Claim, 7 Drawing Sheets



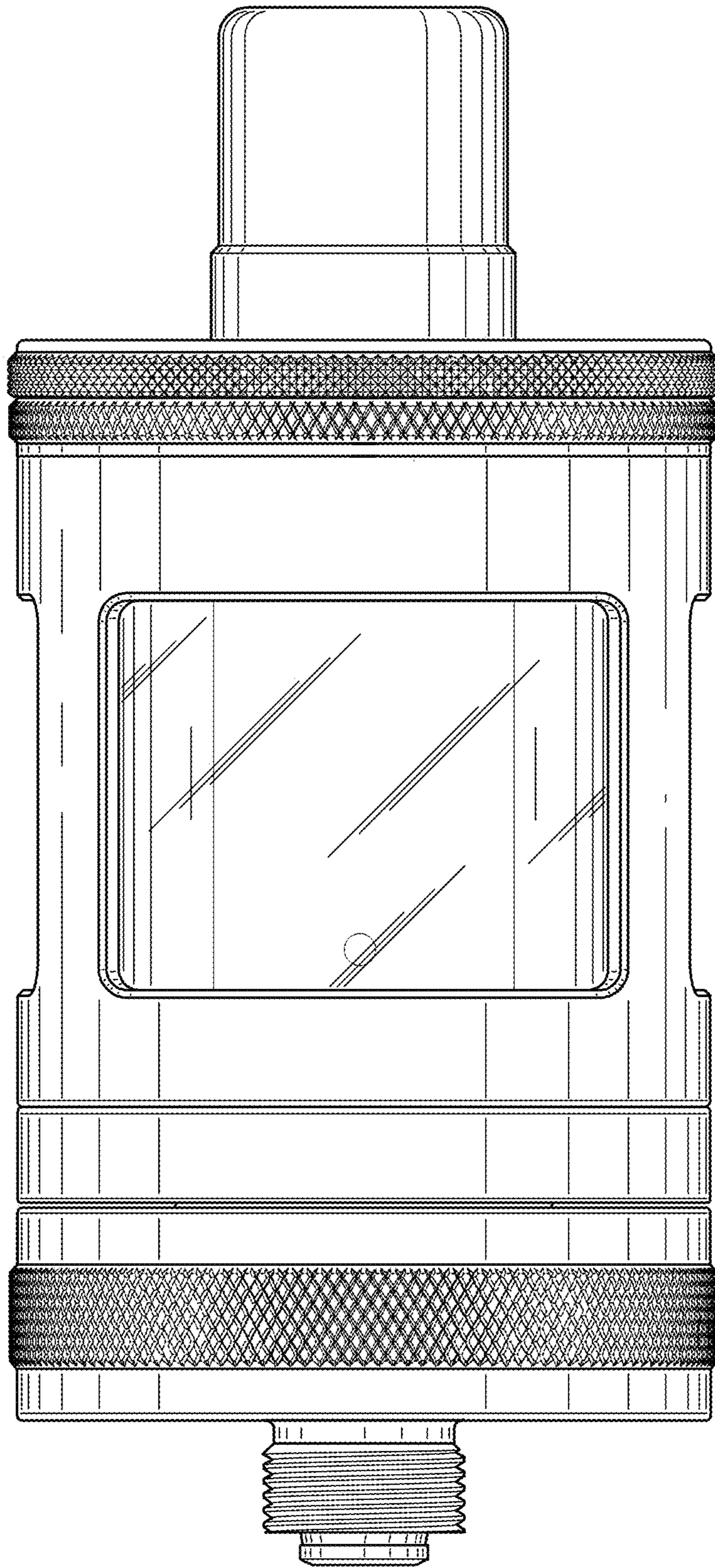


FIG. 1

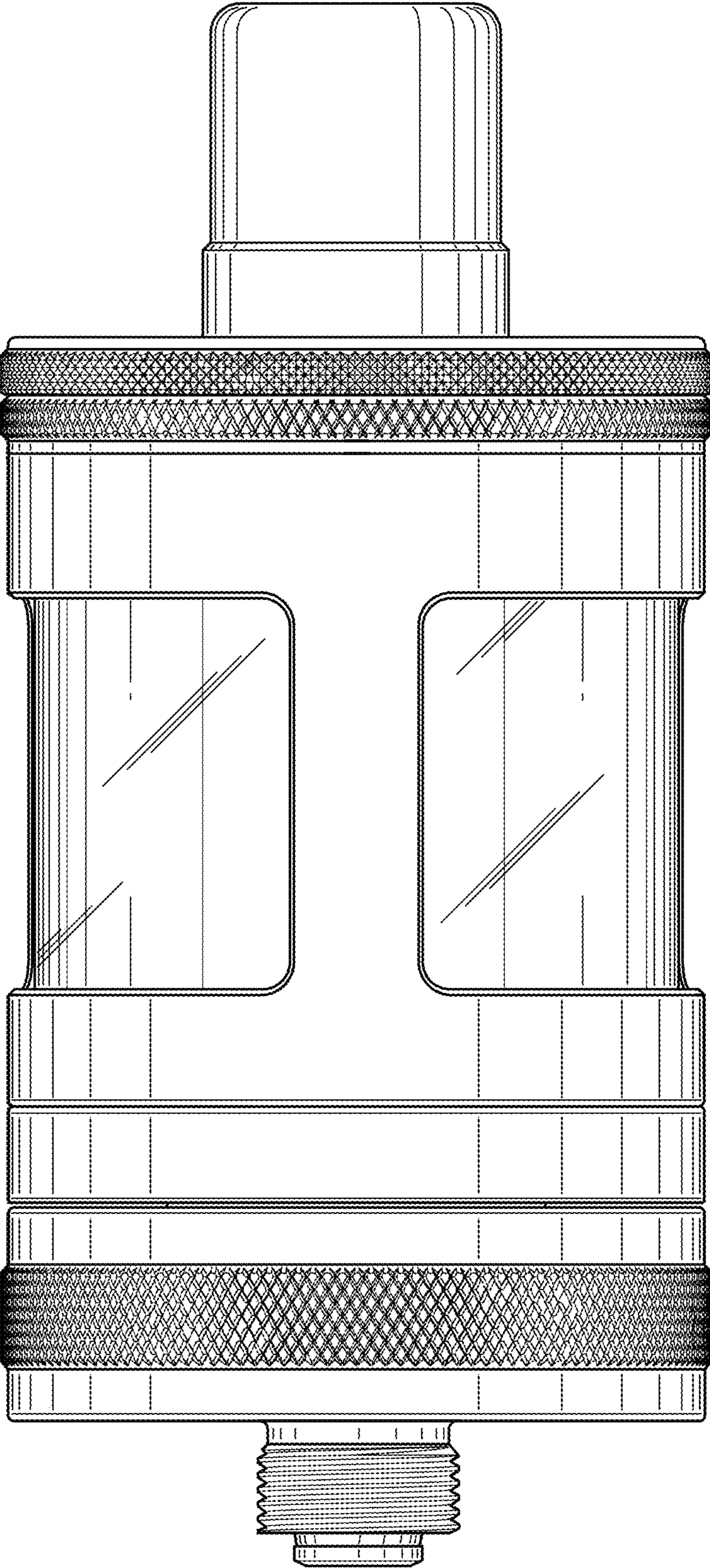


FIG. 2

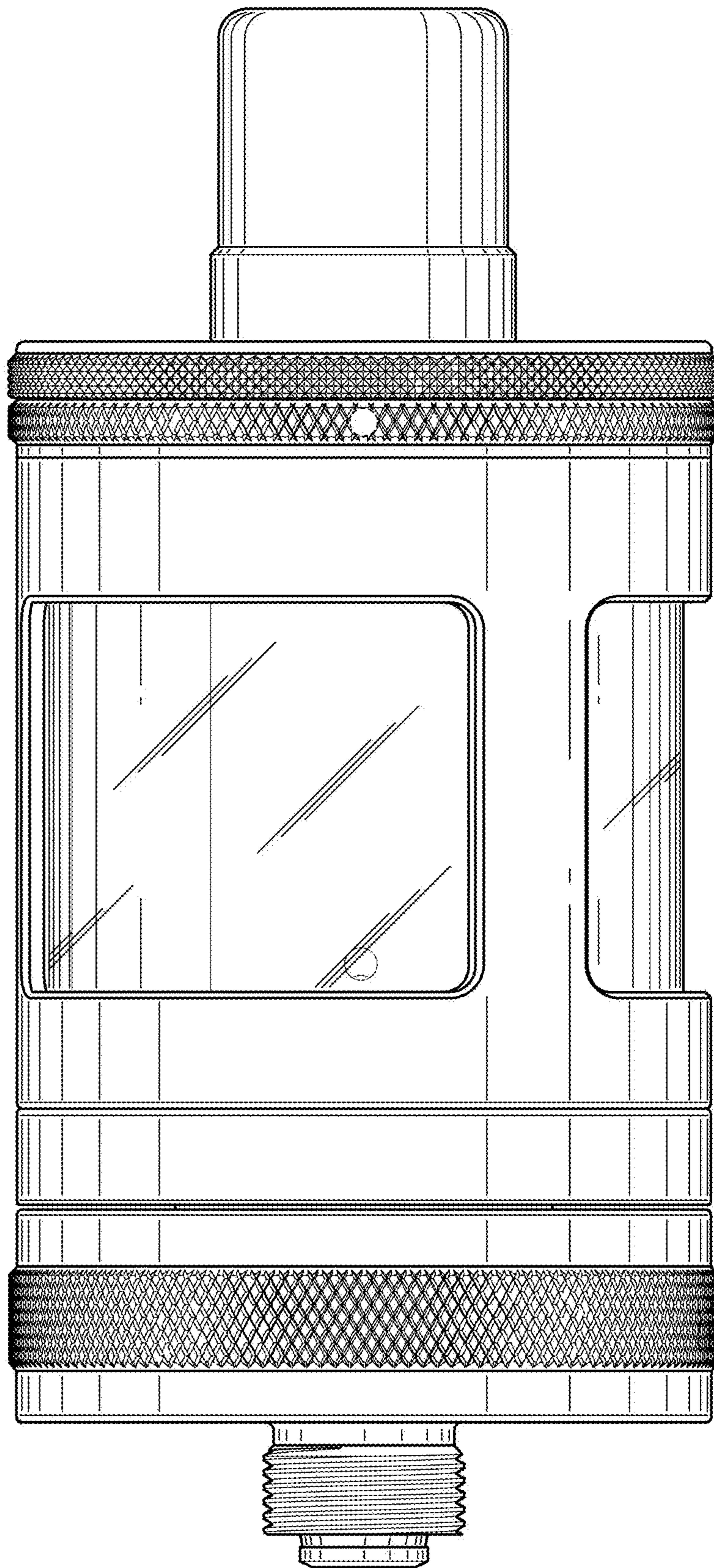


FIG. 3

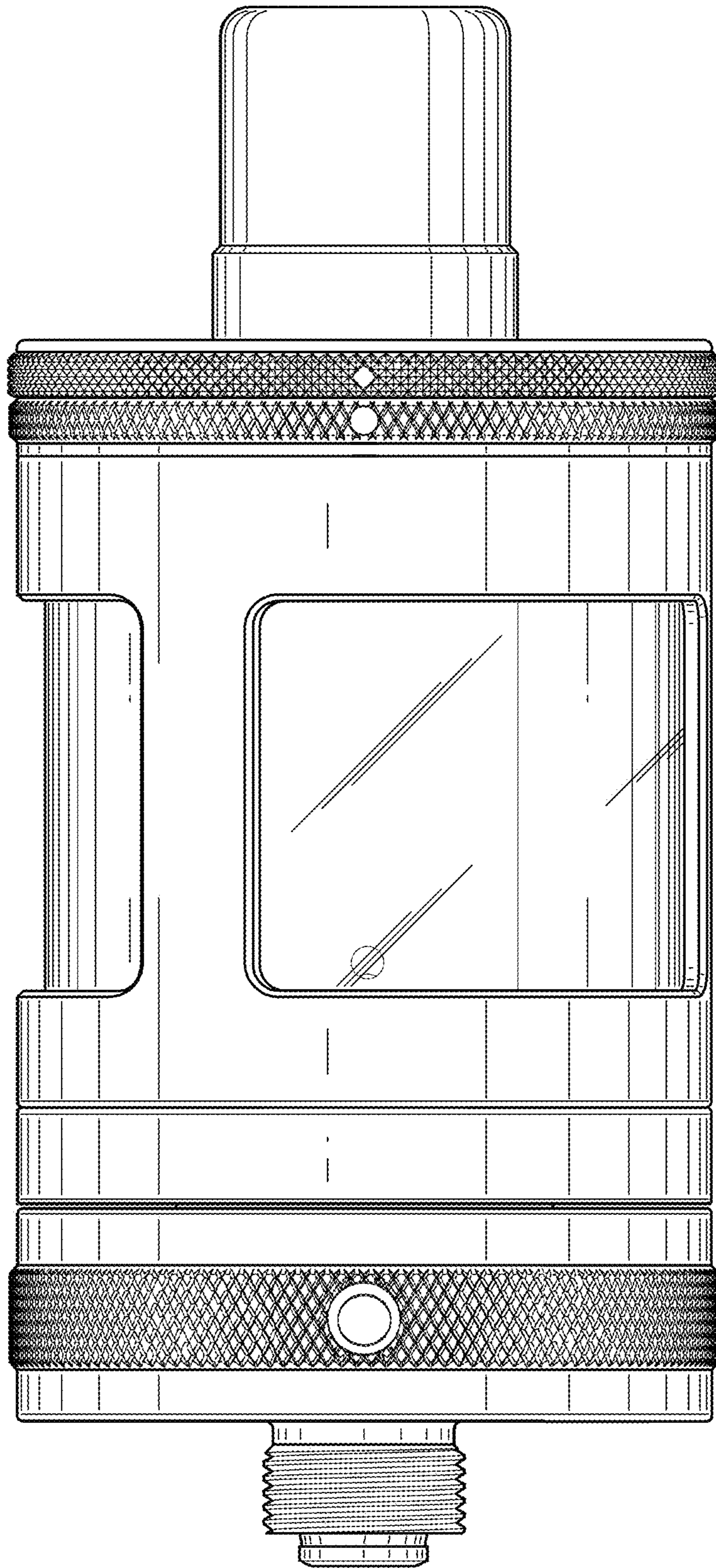


FIG. 4

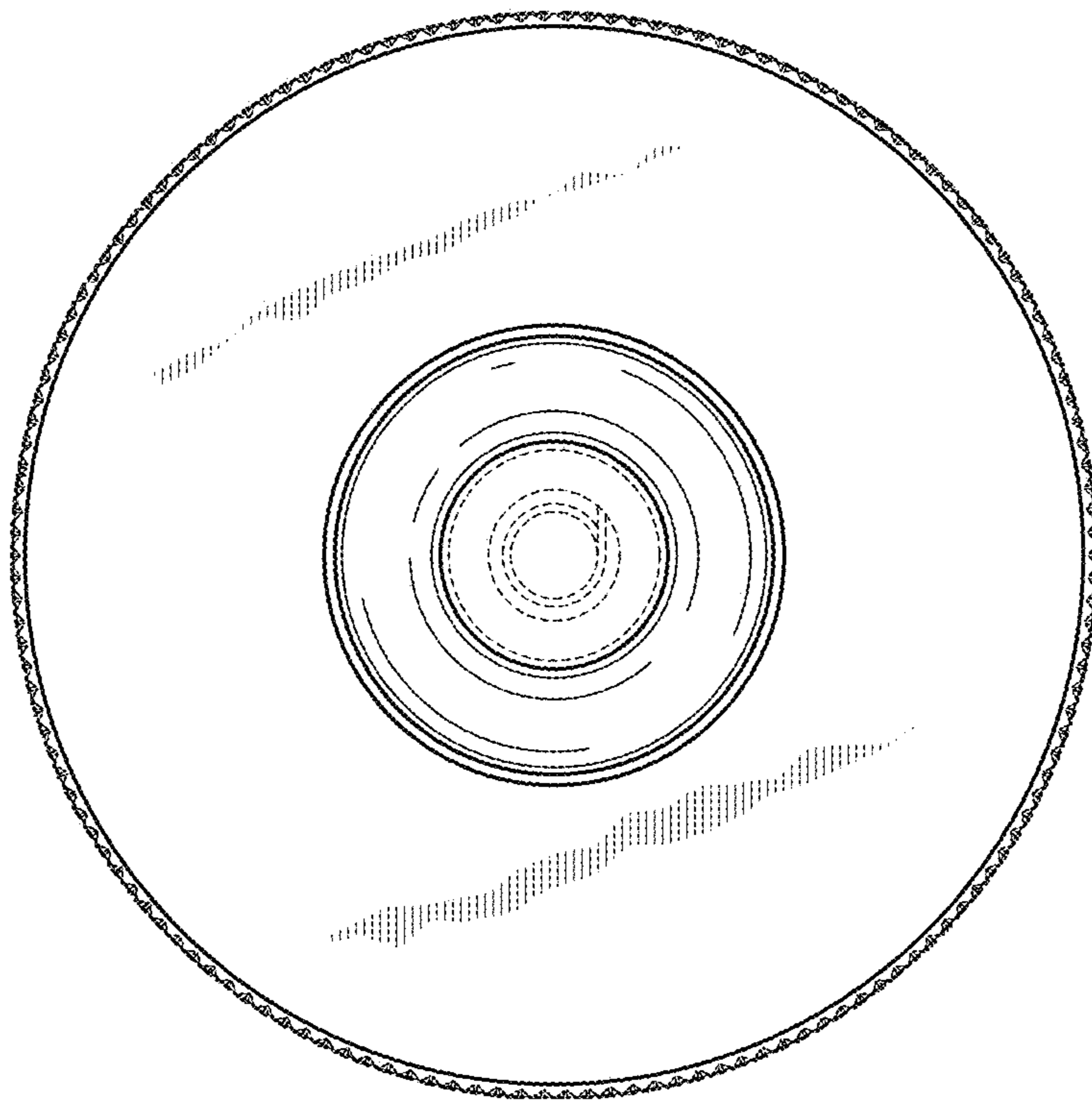


FIG. 5

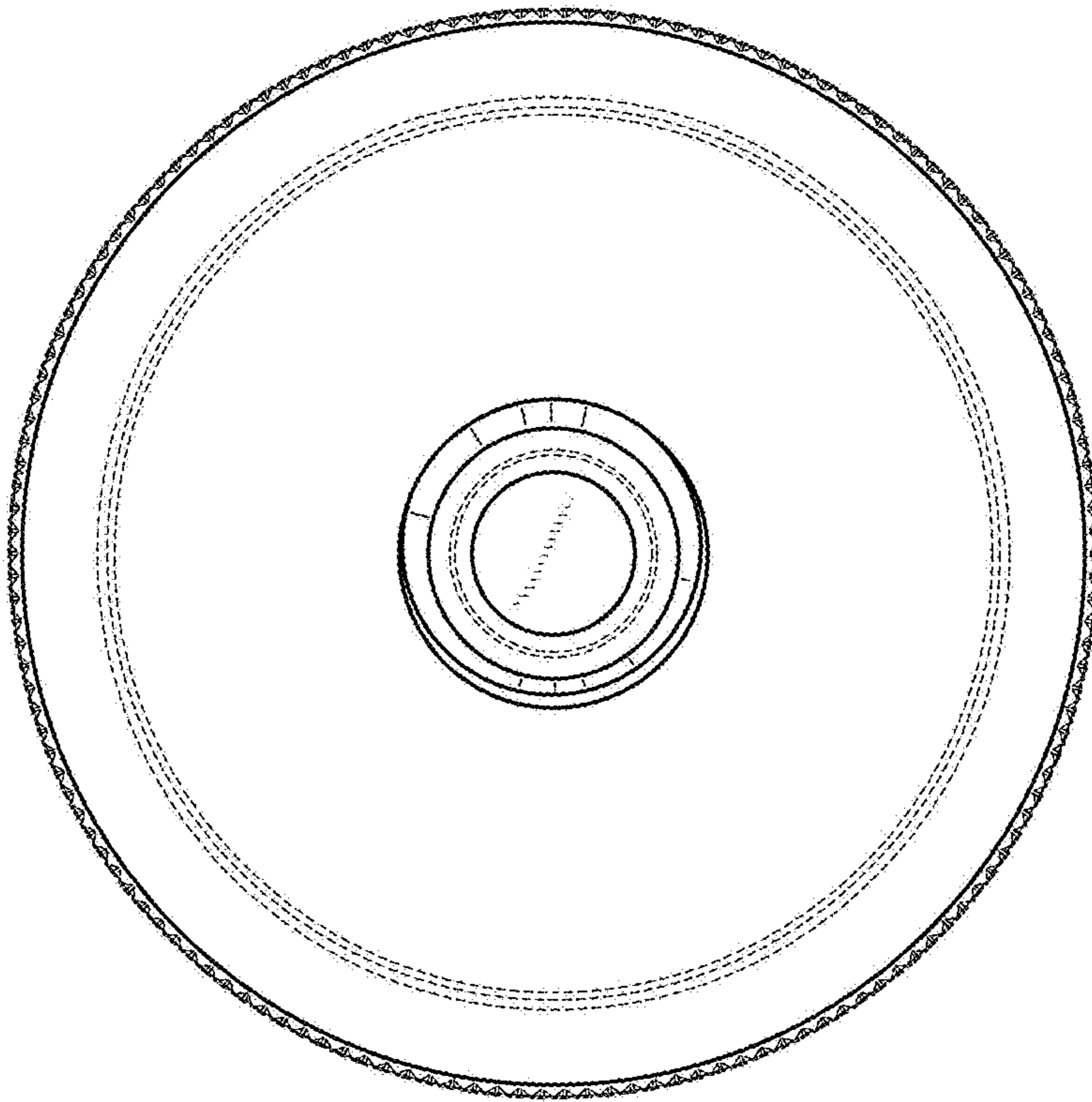


FIG. 6

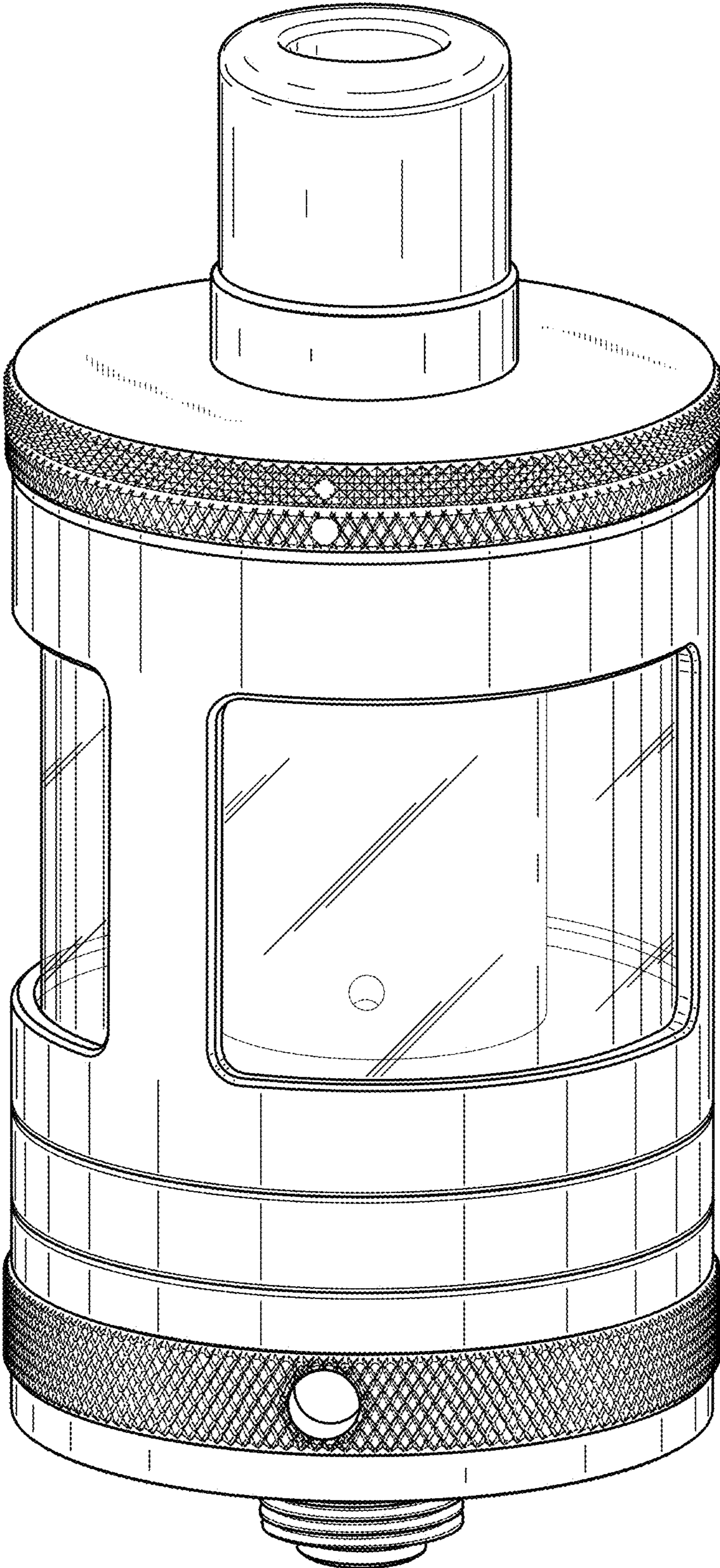


FIG. 7