



US00D953612S

(12) **United States Design Patent** (10) **Patent No.:** **US D953,612 S**  
**Hisle De Beauchaine** (45) **Date of Patent:** **\*\* May 31, 2022**

(54) **LAMP**  
(71) Applicant: **H.JSLE**, Lyons (FR)  
(72) Inventor: **Hervé Hisle De Beauchaine**, Irigny (FR)  
(\*\*) Term: **15 Years**  
(21) Appl. No.: **35/509,876**  
(22) Filed: **Feb. 19, 2020**  
(80) **Hague Agreement Data**  
Int. Filing Date: **Feb. 19, 2020**  
Int. Reg. No.: **DM/209230**  
Int. Reg. Date: **Feb. 19, 2020**  
Int. Reg. Pub. Date: **Jul. 24, 2020**  
(51) **LOC (13) Cl.** ..... **26-04**  
(52) **U.S. Cl.**  
USPC ..... **D26/112**  
(58) **Field of Classification Search**  
USPC ... D26/24, 93, 104, 105, 106, 110, 112, 118  
CPC .... F21S 6/00; F21S 6/002; F21S 6/003; F21S 6/004; F21S 6/005; F21S 6/006; F21S 6/007; F21S 6/008; F21S 9/02; F21V 1/00; F21V 1/02; F21V 1/08; F21W 2131/00; F21W 2131/30; F21W 2131/301  
See application file for complete search history.

(56) **References Cited**  
U.S. PATENT DOCUMENTS  
D433,176 S \* 10/2000 Barry ..... D26/112  
D509,019 S \* 8/2005 Castro ..... D26/112  
D557,449 S \* 12/2007 Chow ..... D26/93  
D590,093 S \* 4/2009 Starck ..... D26/93  
D625,039 S \* 10/2010 Citterio ..... D26/110  
D632,825 S \* 2/2011 Sabernig ..... D26/106  
D647,242 S \* 10/2011 Staples ..... D26/110  
D738,561 S \* 9/2015 Ellis ..... D26/110

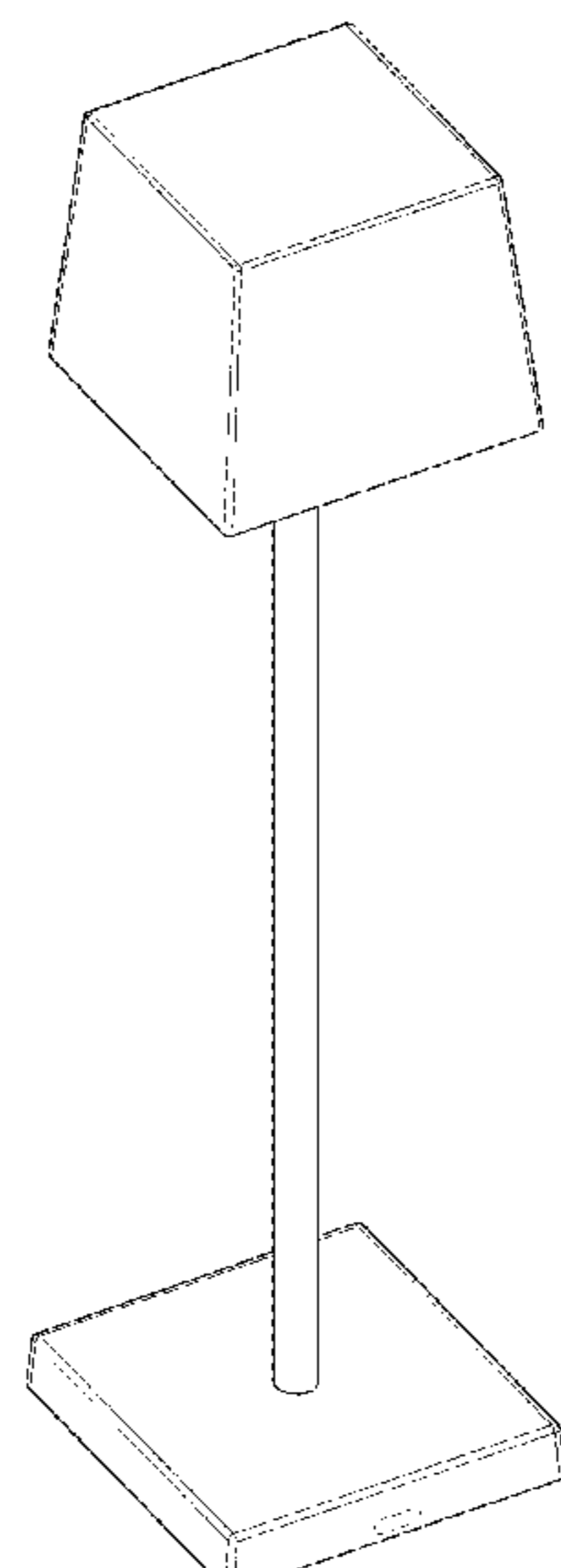
D741,536 S \* 10/2015 Ellis ..... D26/110  
D745,206 S \* 12/2015 Clark ..... D26/104  
D790,109 S \* 6/2017 Starck ..... D26/110  
D803,463 S \* 11/2017 Couckhuyt ..... D26/110  
D810,349 S \* 2/2018 Sempe ..... D26/104  
D810,350 S \* 2/2018 Sempe ..... D26/104  
D810,352 S \* 2/2018 Bibby ..... D26/107  
10,281,097 B2 \* 5/2019 Hsieh ..... F16M 11/28  
D872,347 S \* 1/2020 Probyn ..... D26/106  
D878,664 S \* 3/2020 De Majo ..... F21V 23/06  
D26/93  
D882,154 S \* 4/2020 Zheng ..... D26/110  
D893,794 S \* 8/2020 Kelley ..... D26/110  
D896,431 S \* 9/2020 Ding ..... F21V 29/713  
D26/106  
D903,186 S \* 11/2020 Chang ..... D26/110  
D905,899 S \* 12/2020 Smrstick ..... D26/110  
D925,098 S \* 7/2021 Luo ..... F16M 11/28  
D26/93  
2003/0218883 A1 \* 11/2003 Thevenot ..... F21V 1/00  
362/362  
2012/0140495 A1 \* 6/2012 Zhang ..... F21V 29/713  
362/431  
2018/0135845 A1 \* 5/2018 Chen ..... F21V 23/06

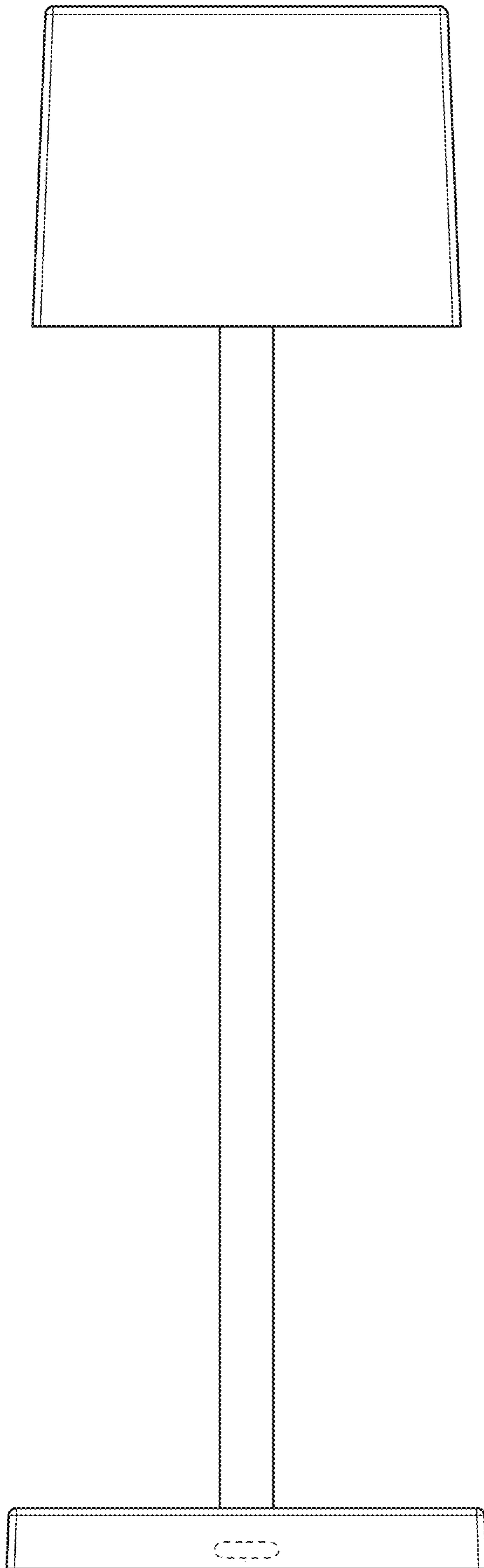
\* cited by examiner  
*Primary Examiner* — Steven J Czyz

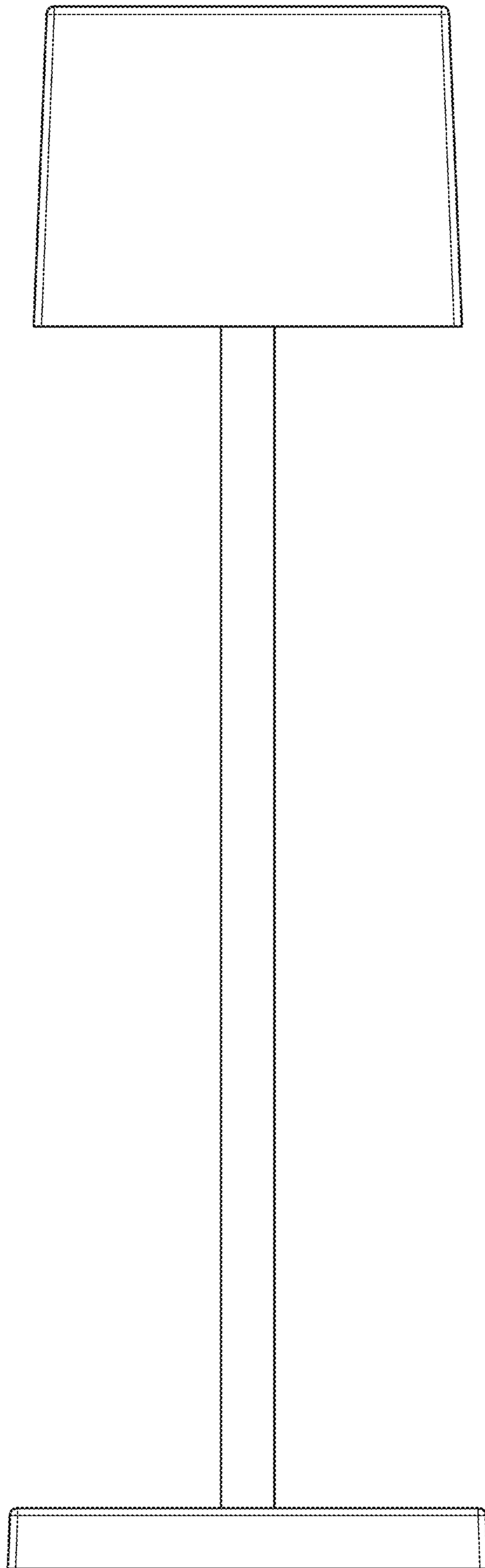
(57) **CLAIM**  
The ornamental design for lamp, as shown and described.

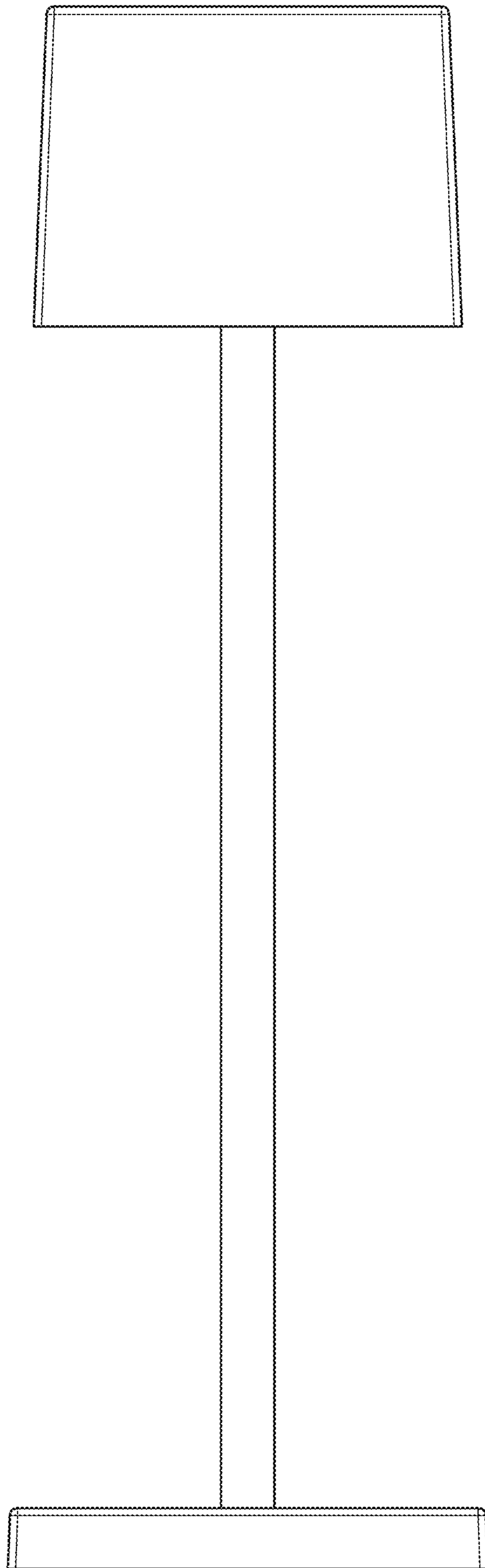
**DESCRIPTION**  
1. Lamp  
**1.1** : Front  
**1.2** : Back  
**1.3** : Left  
**1.4** : Right  
**1.5** : Top  
**1.6** : Bottom  
**1.7** : Perspective  
The parts indicated in the reproductions by means of broken lines are not part of the claimed design.

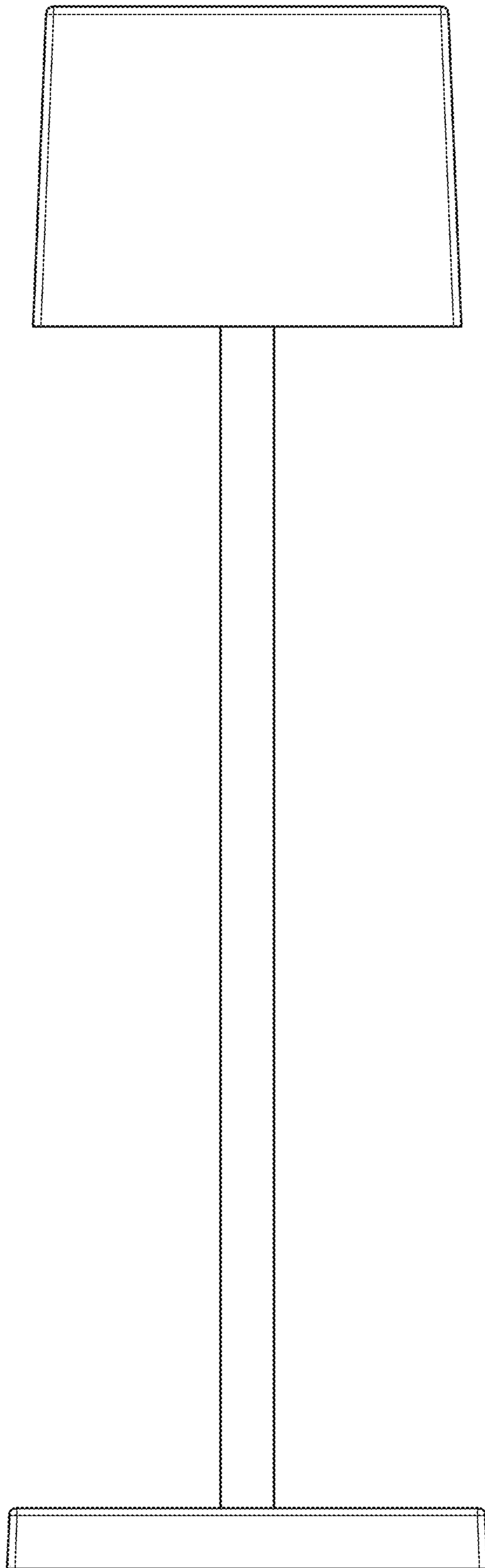
**1 Claim, 7 Drawing Sheets**

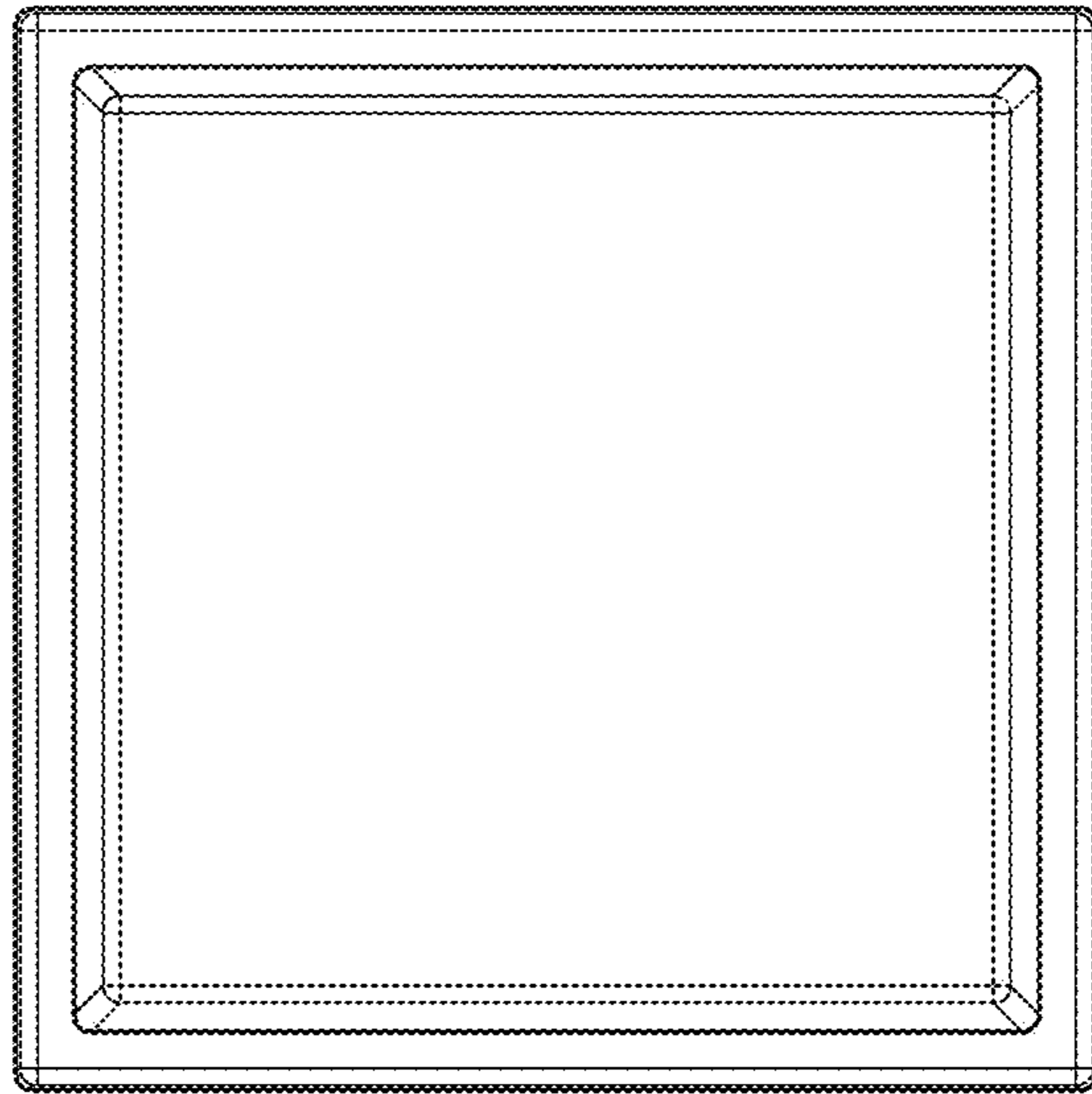




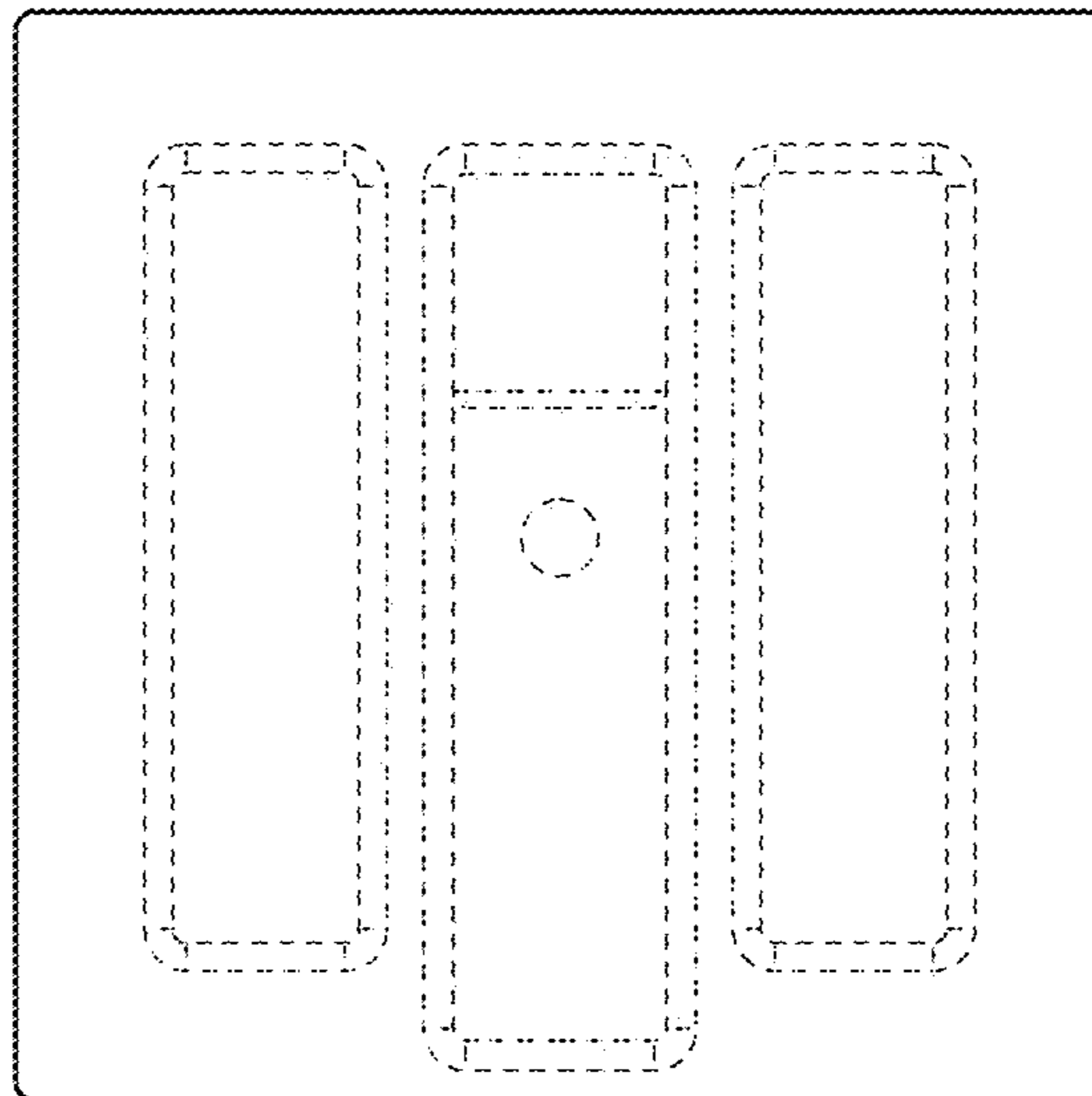








1.5



1.6

