



US00D953611S

(12) **United States Design Patent**
Chen

(10) **Patent No.:** **US D953,611 S**

(45) **Date of Patent:** **** May 31, 2022**

(54) **TABLE LAMP**

(71) Applicant: **DONGGUAN SUN SHINE LIGHTING CO., LTD.**, Dongguan (CN)

(72) Inventor: **Xiaobo Chen**, Dongguan (CN)

(**) Term: **15 Years**

(21) Appl. No.: **29/734,188**

(22) Filed: **May 11, 2020**

(30) **Foreign Application Priority Data**

Mar. 11, 2020 (CN) 202030079736.9

(51) **LOC (13) Cl.** **26-05**

(52) **U.S. Cl.**
USPC **D26/107**

(58) **Field of Classification Search**
USPC D26/24, 51, 56, 61, 63, 64, 65, 93, 94, D26/100, 106, 107
CPC F21S 6/00; F21S 6/002; F21S 6/003; F21S 6/004; F21S 6/005; F21S 6/006; F21S 8/036; F21V 21/06; F21V 21/14; F21V 21/26; F21V 21/30; F21V 12/01

See application file for complete search history.

(56) **References Cited**

U.S. PATENT DOCUMENTS

D702,761 S *	4/2014	Foley	D19/77
D819,261 S *	5/2018	Akkad	D26/142
D876,706 S *	2/2020	Tang	D26/107
D903,930 S *	12/2020	Chen	D26/107
D905,310 S *	12/2020	Wen	D26/63
D914,956 S *	3/2021	Chen	D26/107
D925,098 S *	7/2021	Luo	D26/93

* cited by examiner

Primary Examiner — Wan Laymon
Assistant Examiner — Clint A Samuel

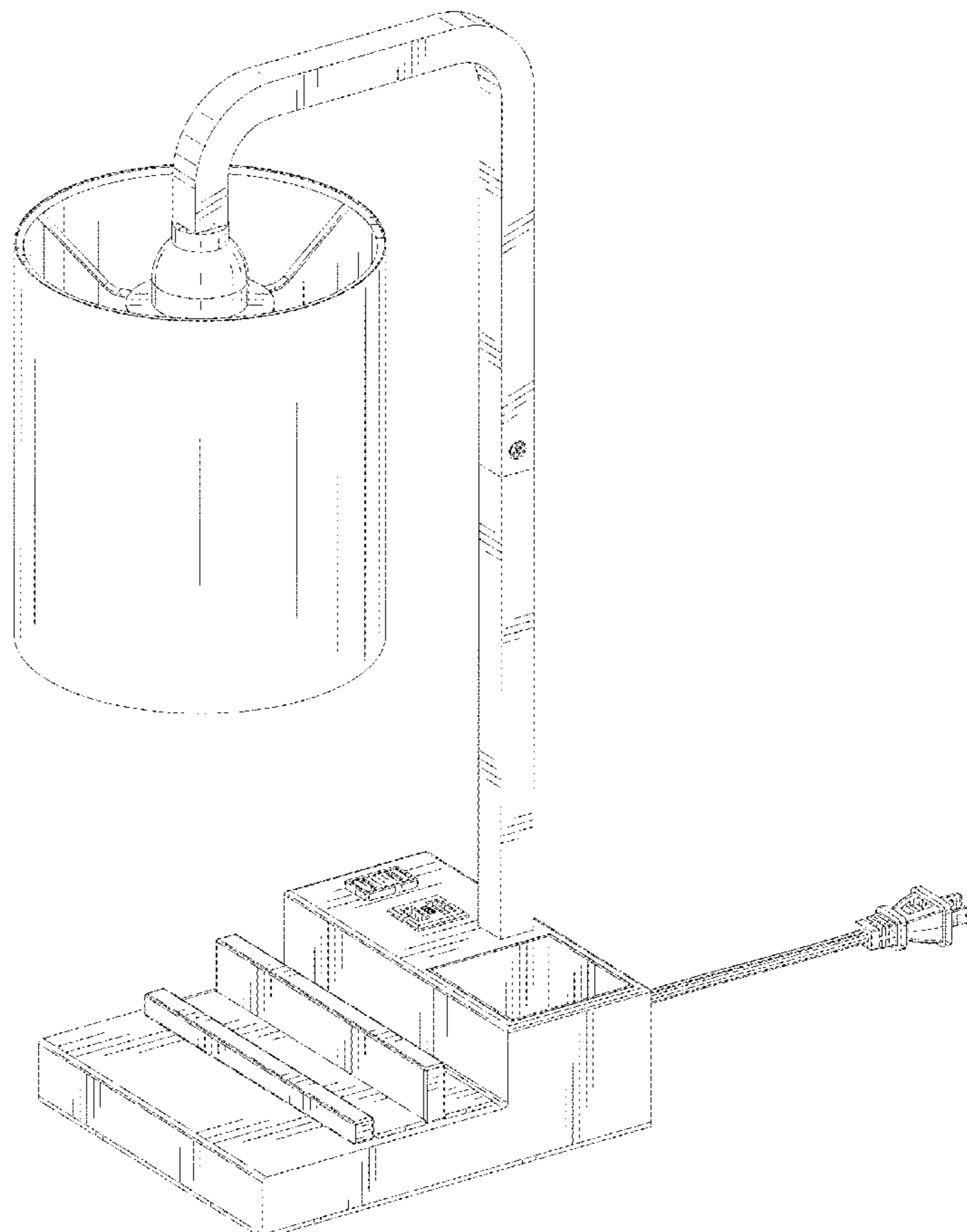
(57) **CLAIM**

The ornamental design for a table lamp, as shown and described.

DESCRIPTION

FIG. 1 is a perspective view of a table lamp showing my present design;
FIG. 2 is a front view thereof;
FIG. 3 is a rear view thereof;
FIG. 4 is a left side view thereof;
FIG. 5 a right side view thereof;
FIG. 6 is a top view thereof; and,
FIG. 7 is a bottom view thereof.

1 Claim, 7 Drawing Sheets



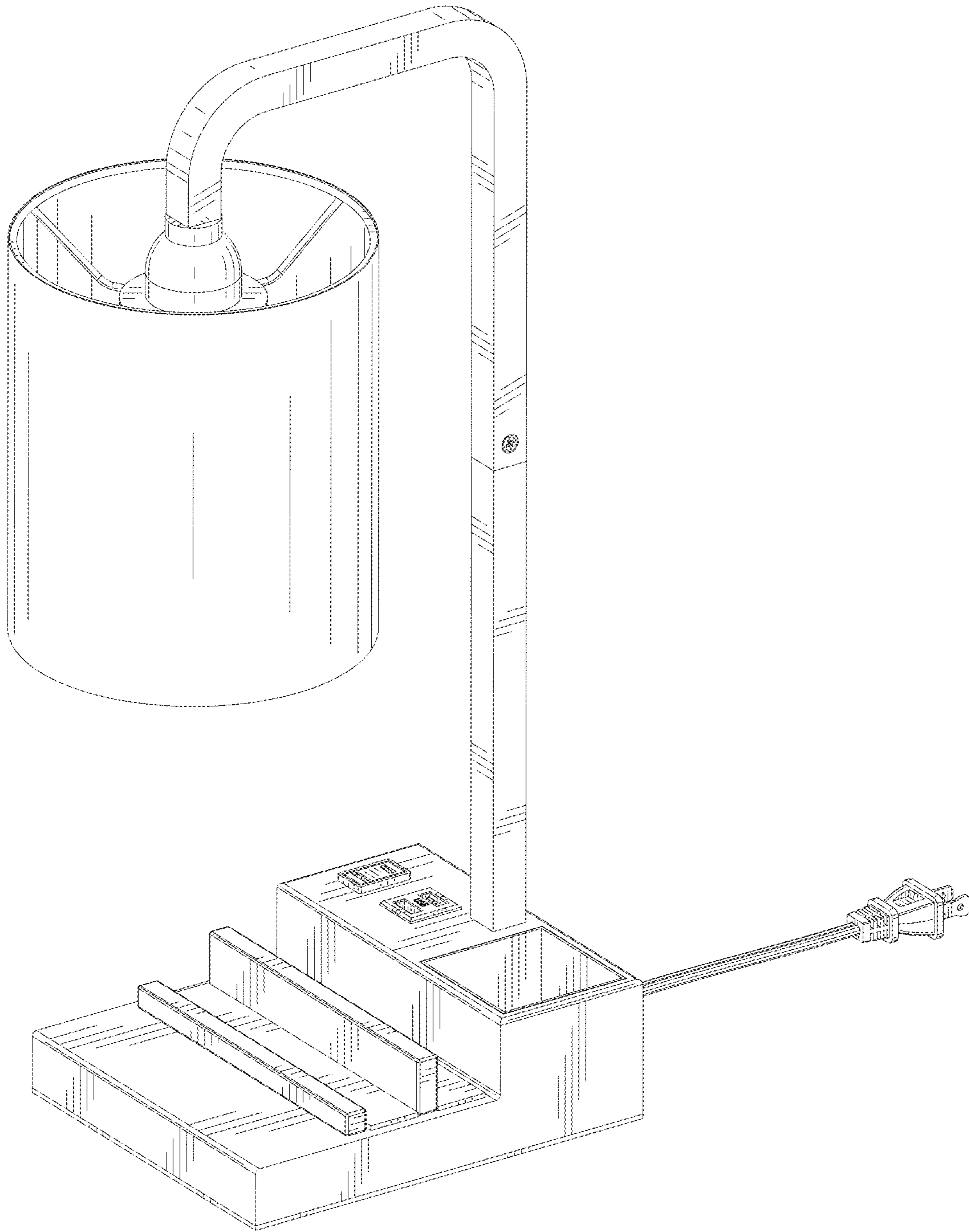


FIG. 1

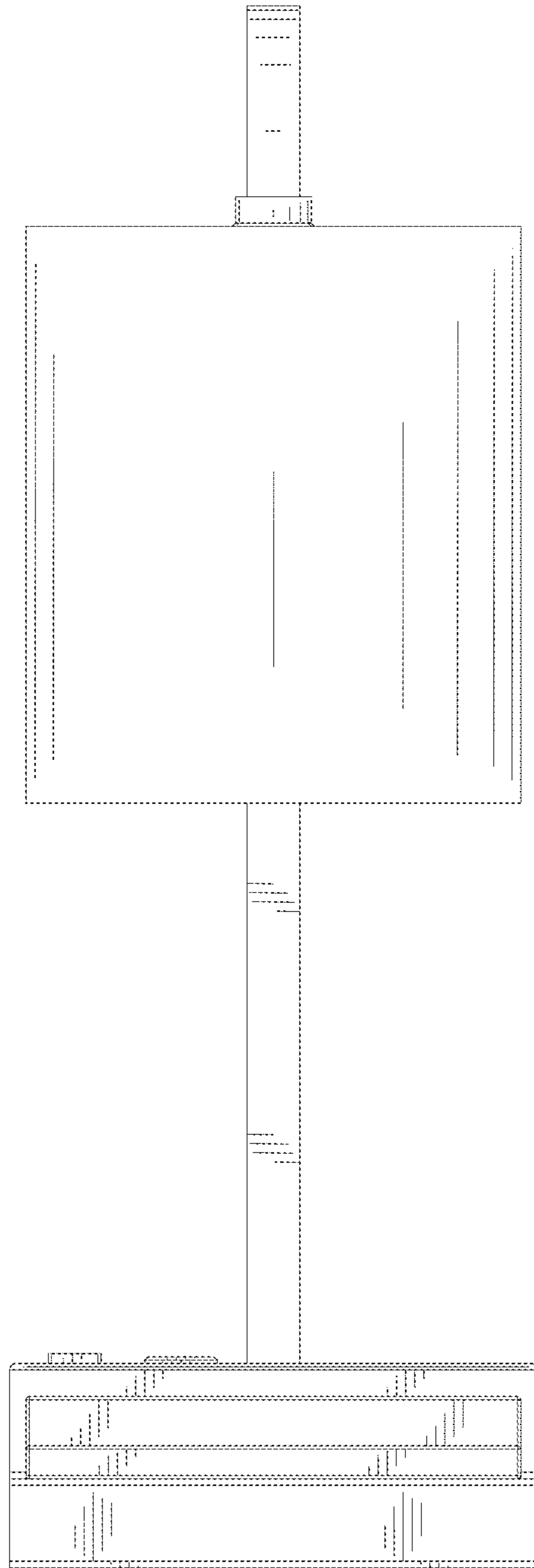


FIG. 2

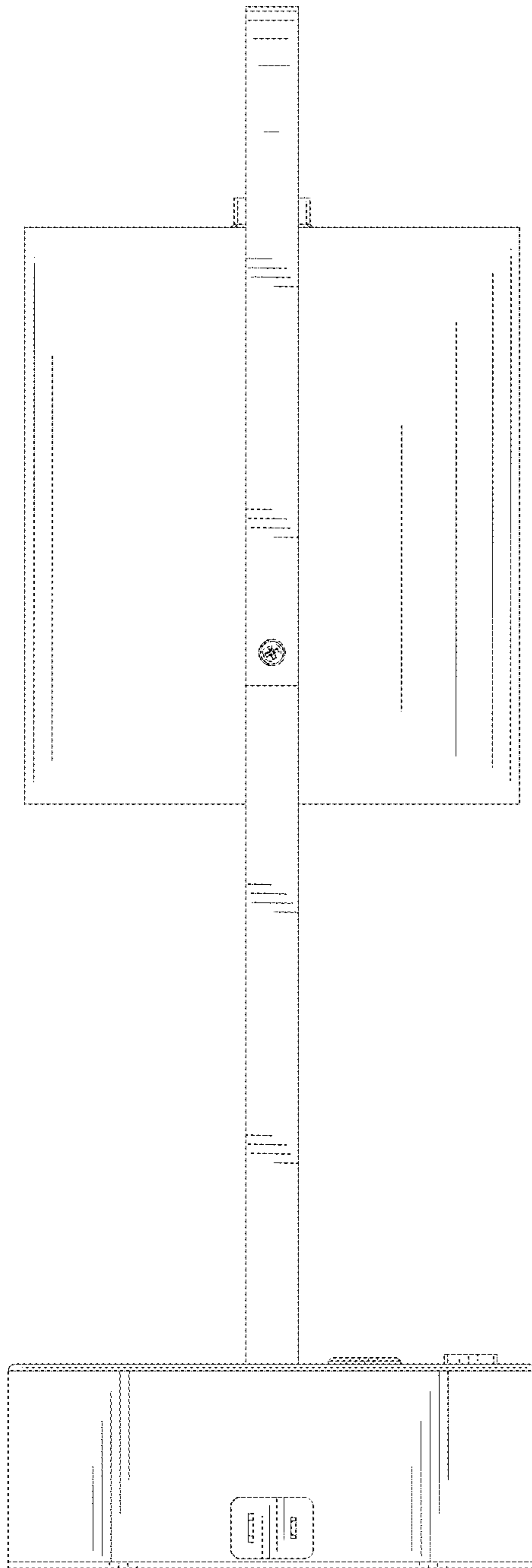


FIG. 3

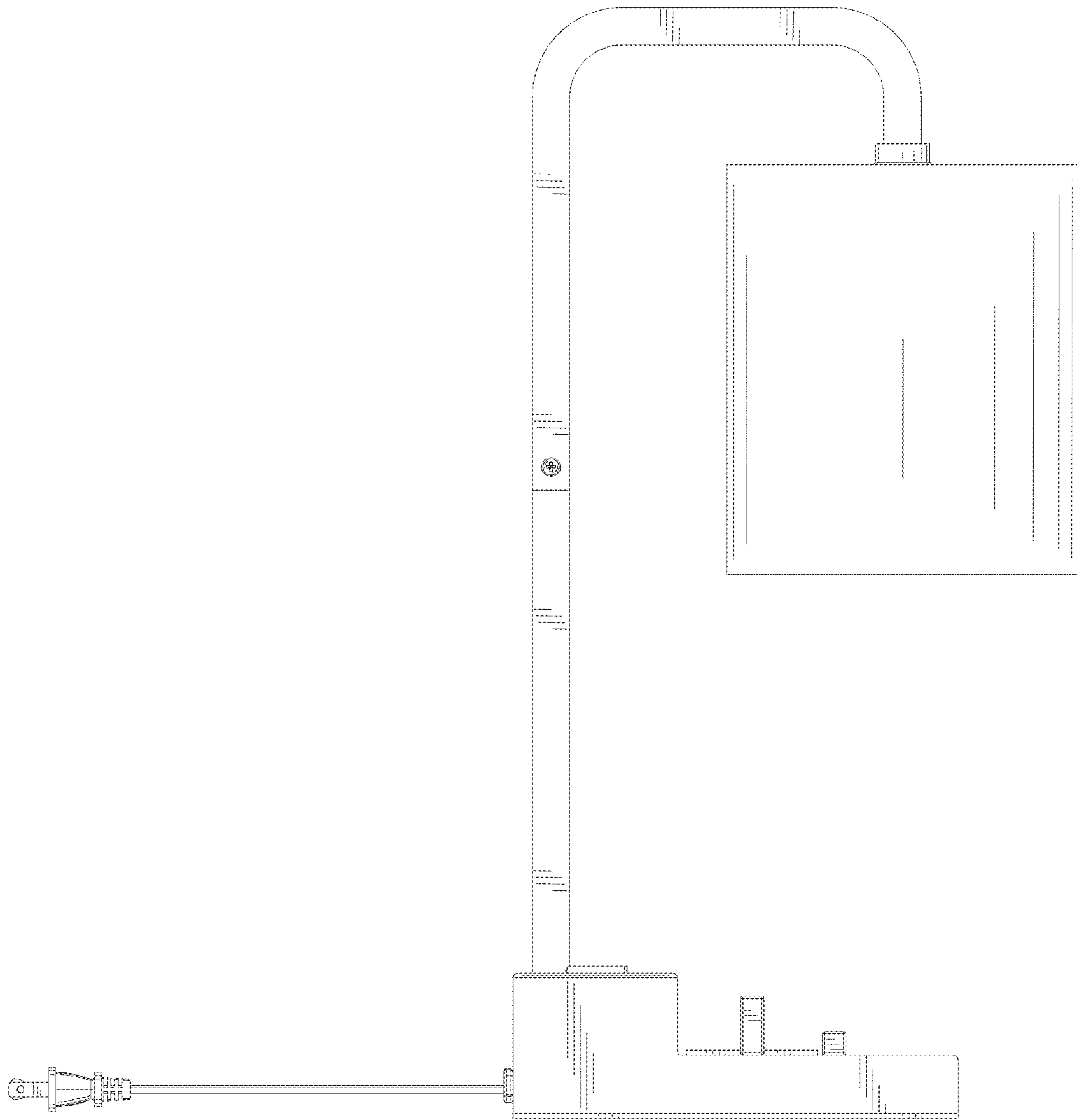


FIG. 4

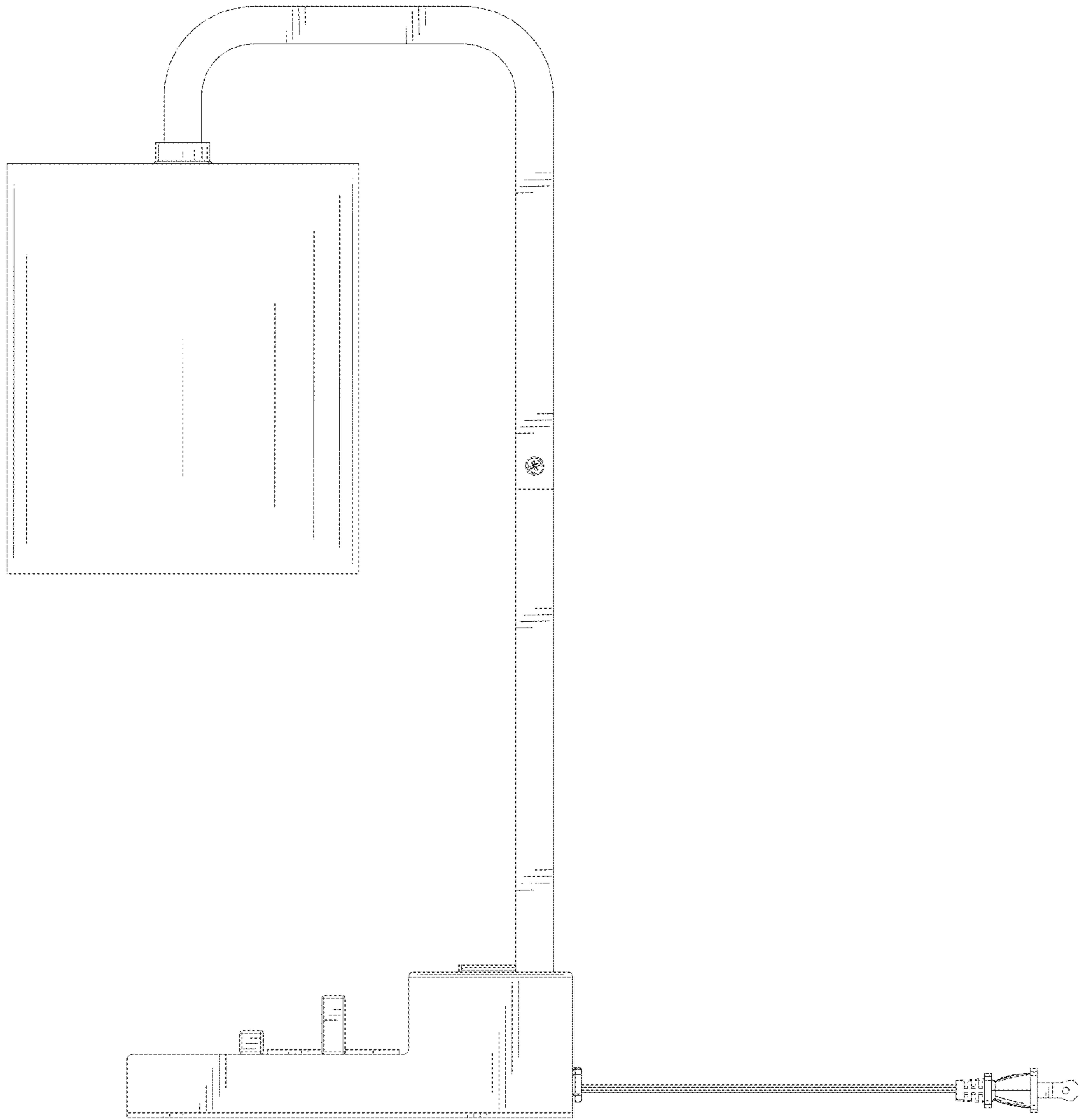


FIG. 5

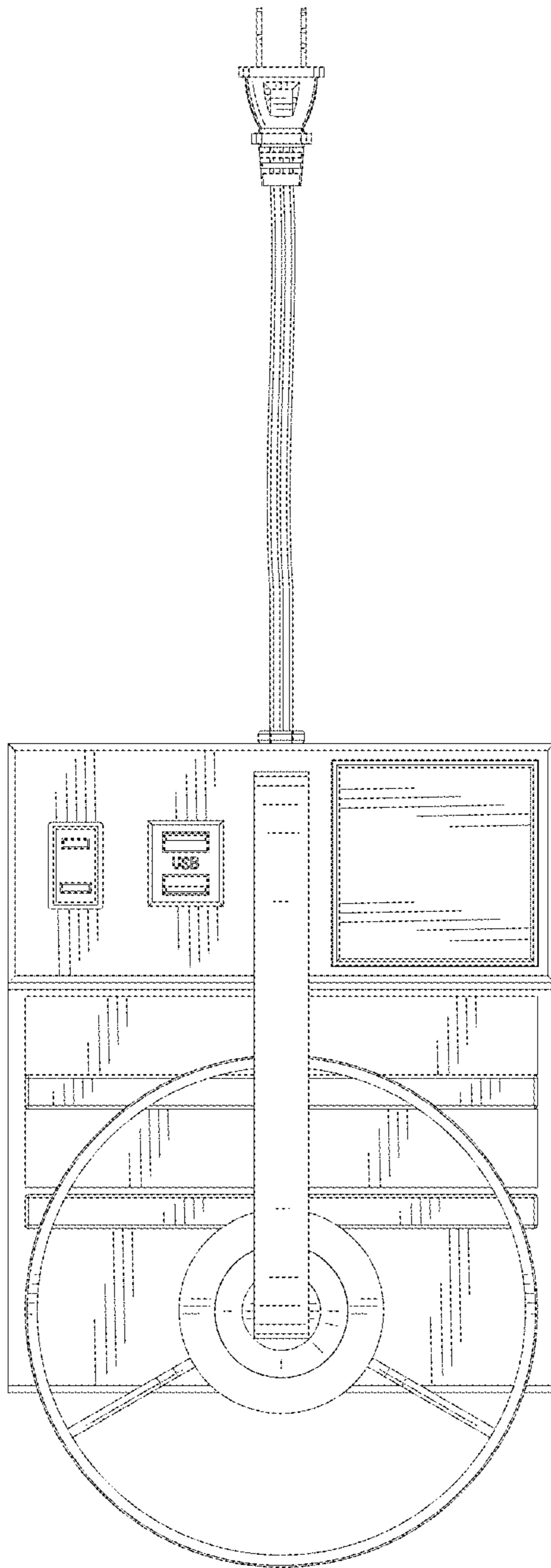


FIG. 6

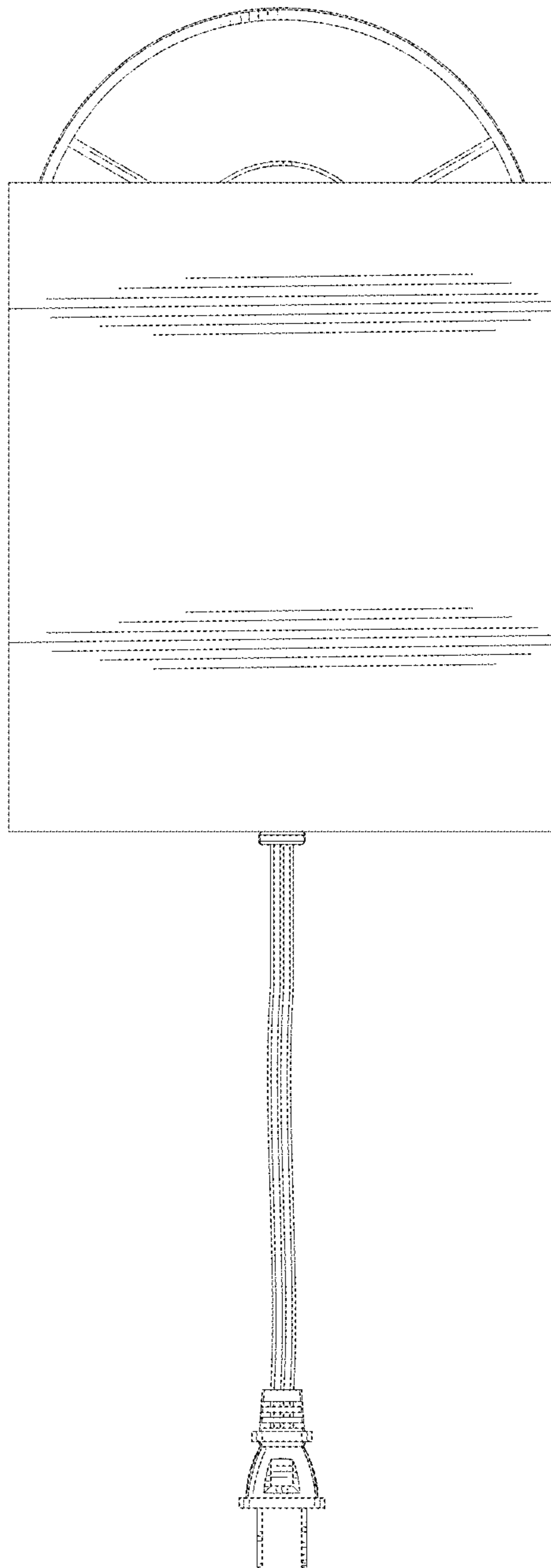


FIG. 7