



US00D953608S

(12) **United States Design Patent**
Zheng et al.

(10) **Patent No.:** **US D953,608 S**

(45) **Date of Patent:** **** May 31, 2022**

(54) **PROJECTION LIGHT**

(71) Applicant: **Shenzhen Skoe Technology Co., Ltd.**,
Shenzhen (CN)

(72) Inventors: **Caijian Zheng**, Shenzhen (CN);
Wenzhen Ouyang, Shenzhen (CN)

(**) Term: **15 Years**

(21) Appl. No.: **29/745,080**

(22) Filed: **Aug. 3, 2020**

(51) **LOC (13) Cl.** **26-05**

(52) **U.S. Cl.**

USPC **D26/104**; D26/106; D26/110

(58) **Field of Classification Search**

USPC D26/24, 51, 52, 93, 104, 106, 108, 110,
D26/112, 118; D14/216; D23/356

CPC F21S 6/00; F21S 9/02; F21S 10/00; F21S
10/06; F21V 3/00; F21V 5/00; F21V
5/007; F21V 5/04; F21V 7/04; F21V
33/00; F21W 2121/00; F21W 2131/30

See application file for complete search history.

(56) **References Cited**

U.S. PATENT DOCUMENTS

D757,307 S *	5/2016	Wallach	D26/24
D779,109 S *	2/2017	Wallach	D26/97
D814,686 S *	4/2018	Chen	D26/110
D867,626 S *	11/2019	Song	D26/24
D875,994 S *	2/2020	Yu	D26/104
D898,271 S *	10/2020	Zheng	D26/110
D901,747 S *	11/2020	Lin	D26/94
D907,281 S *	1/2021	Wu	D26/104
D914,958 S *	3/2021	Zheng	D26/110
D917,774 S *	4/2021	Wang	D26/110
D919,146 S *	5/2021	Li	F21V 33/0056
				D26/51
D919,875 S *	5/2021	Peng	D26/110
D919,876 S *	5/2021	Ouyang	D26/110
D922,664 S *	6/2021	Li	D26/106
D927,045 S *	8/2021	Li	D26/110

D927,751 S *	8/2021	Zheng	D26/51
D927,765 S *	8/2021	Li	D26/106
D927,767 S *	8/2021	Zheng	D26/110
D930,222 S *	9/2021	Song	D26/106
11,118,753 B1 *	9/2021	Zheng	F21V 3/049
D933,282 S *	10/2021	Ji	D26/93
2021/0164628 A1 *	6/2021	Zheng	F21S 10/00

(Continued)

FOREIGN PATENT DOCUMENTS

EM	008079248-0006	*	8/2020
GB	9008079248-0006	*	8/2020

OTHER PUBLICATIONS

SYSLUX Smart WiFi Star Projector, Mar. 30, 2020, Amazon.com, site visited Dec. 29, 2021, url: <https://www.amazon.com/dp/B086JKDBXB> (Year: 2020).*

(Continued)

Primary Examiner — T Chase Nelson

Assistant Examiner — Rachel Wolfe

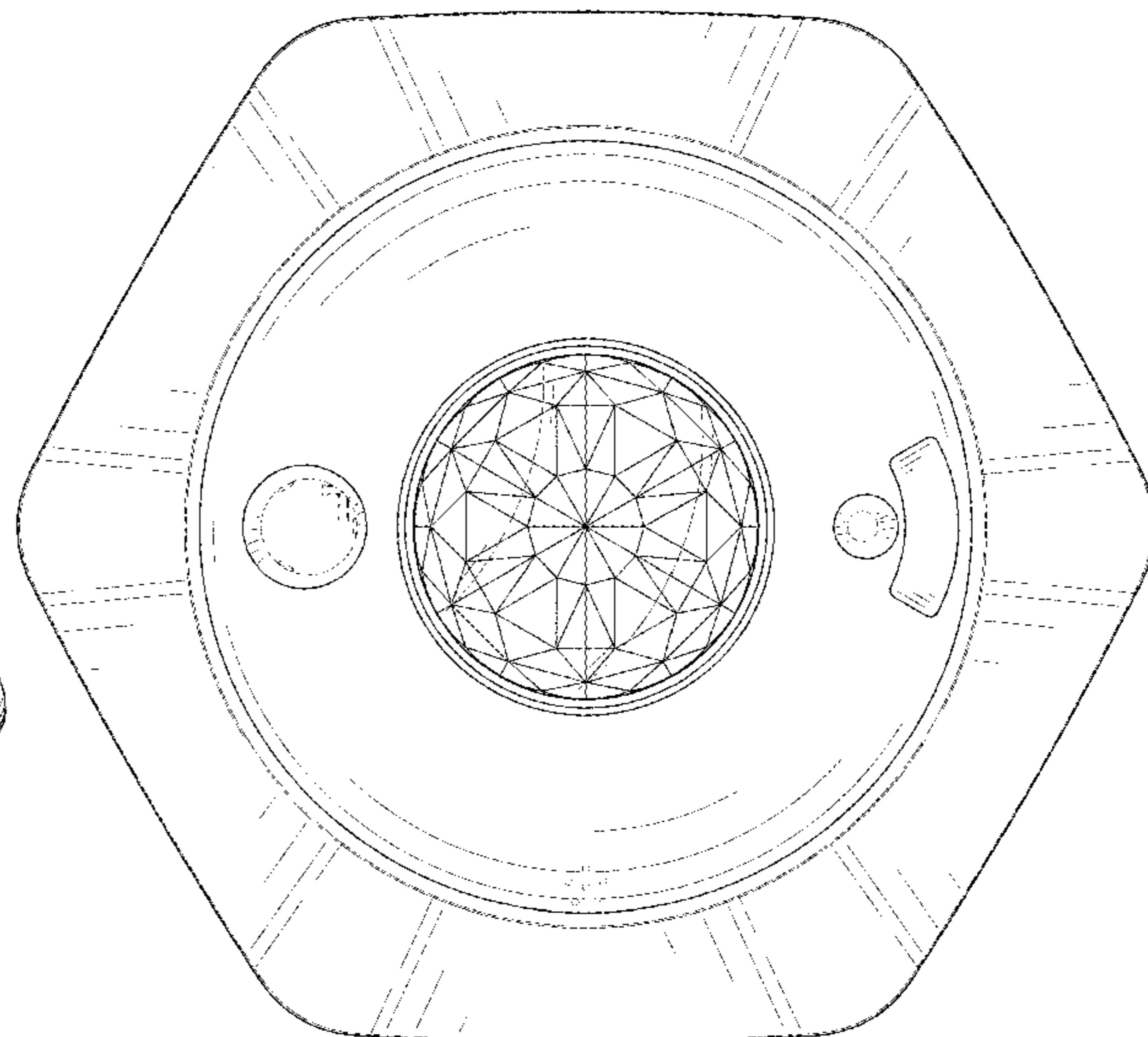
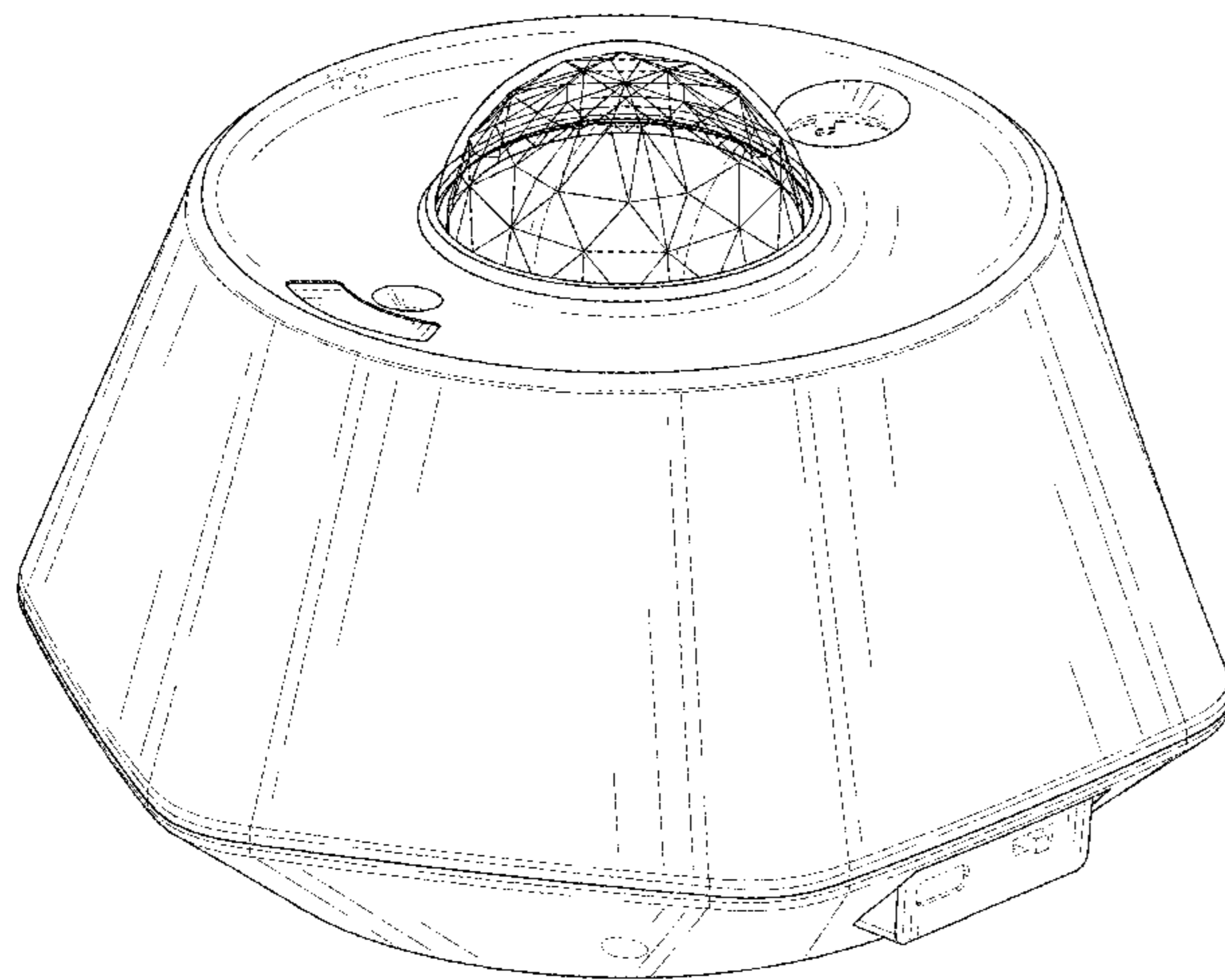
(57) **CLAIM**

The ornamental design for a projection light, as shown and described.

DESCRIPTION

FIG. 1 is a front and top perspective view of a projection light, showing our new design; FIG. 2 is a rear and bottom perspective view thereof; FIG. 3 is a front elevational view thereof; FIG. 4 is a rear elevational view thereof; FIG. 5 is a left side elevational view thereof; FIG. 6 is a right side elevational view thereof; FIG. 7 is a top plan view thereof; and, FIG. 8 is a bottom plan view thereof. The broken lines in the figures illustrate portions of the article that form no part of the claimed design.

1 Claim, 8 Drawing Sheets



(56)

References Cited

U.S. PATENT DOCUMENTS

2021/0247039 A1* 8/2021 Zheng F21S 10/007
2021/0364142 A1* 11/2021 Zheng F21V 33/0056
2021/0381666 A1* 12/2021 Zheng F21V 14/04

OTHER PUBLICATIONS

ALED Light LED Projector Night Light, Jun. 19, 2020, Amazon.com, site visited Dec. 8, 2021, url: <https://www.amazon.com/dp/B08BJ33Z7S> (Year: 2020).*

MiiKARE Star Projector, May 21, 2020, Amazon.in, site visited Jan. 12, 2022, url: <https://www.amazon.in/dp/B07YBX54TR> (Year: 2020).*

Galaxy Projector Review, May 20, 2020, YouTube, site visited Dec. 30, 2021, url: <https://www.youtube.com/watch?v=9mHWCgY9ZPE> (Year: 2020).*

* cited by examiner

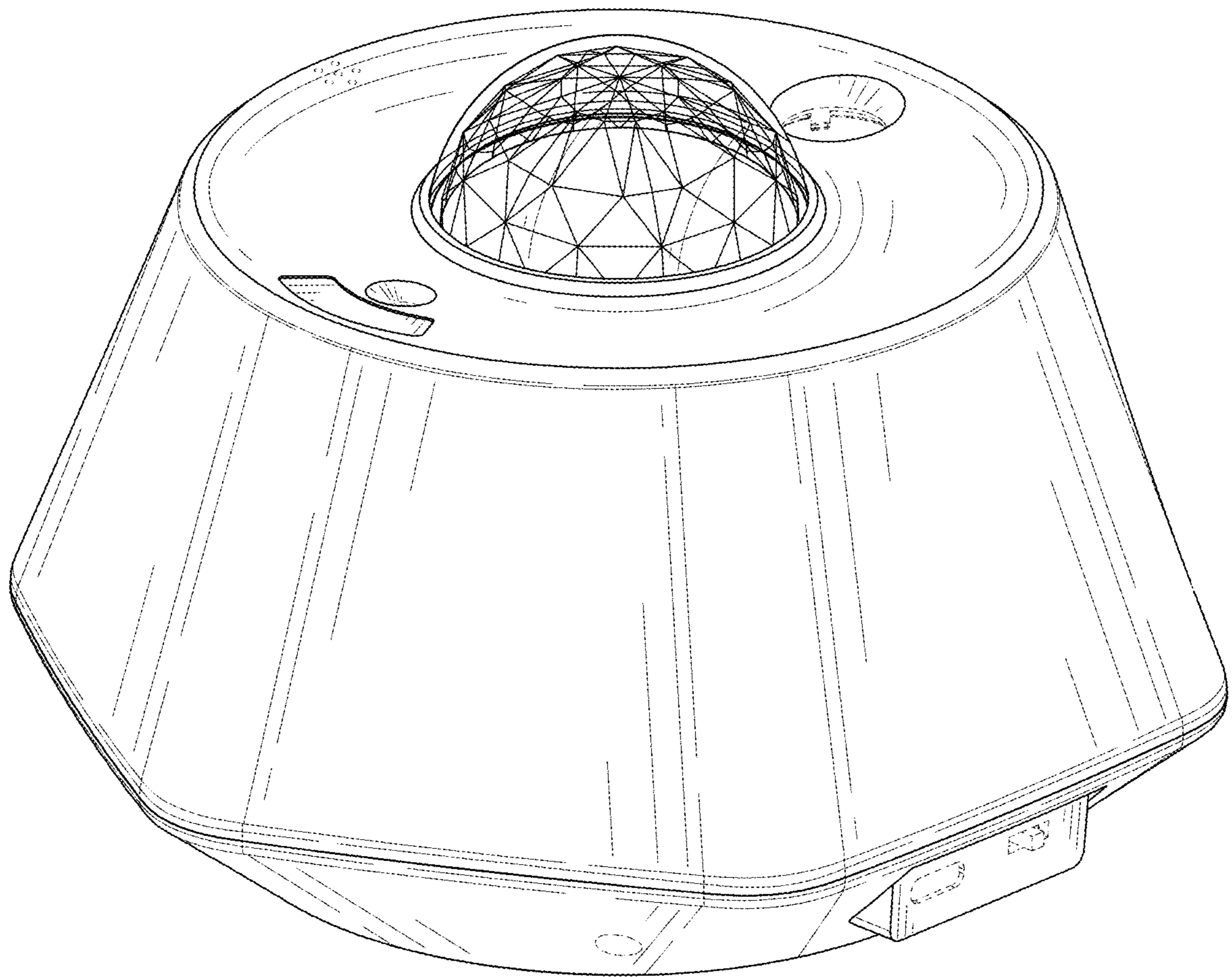


FIG. 1

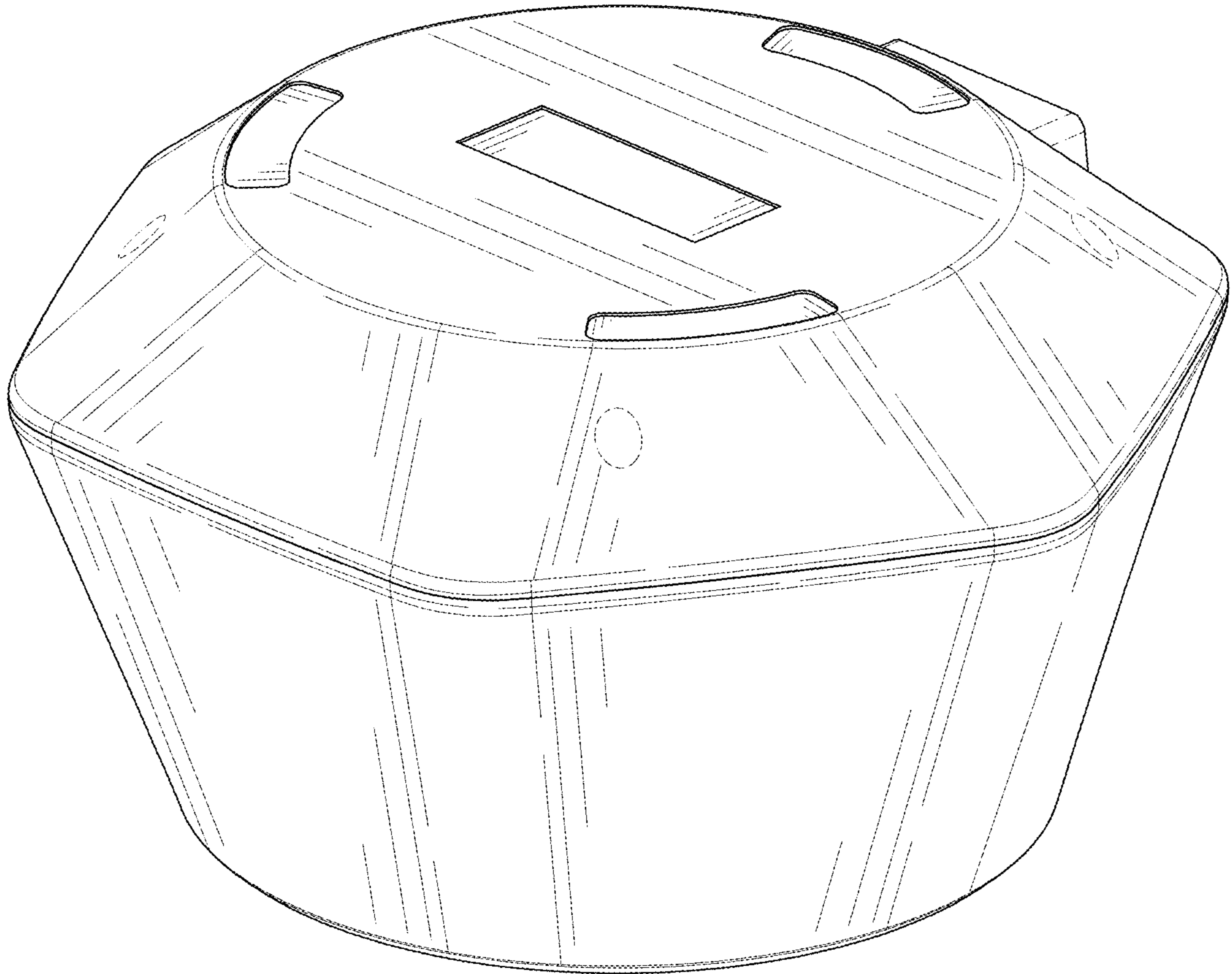


FIG. 2

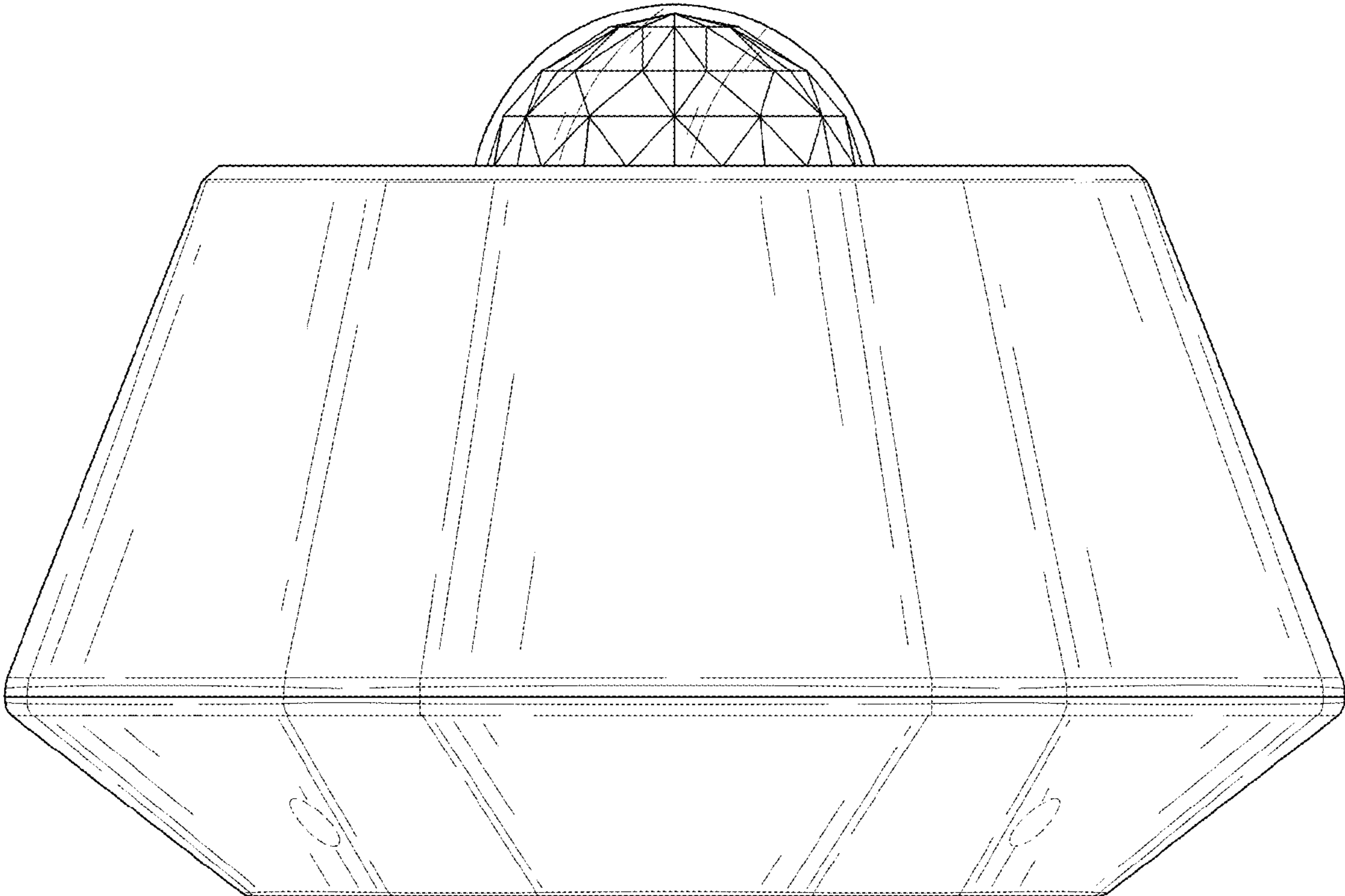


FIG. 3

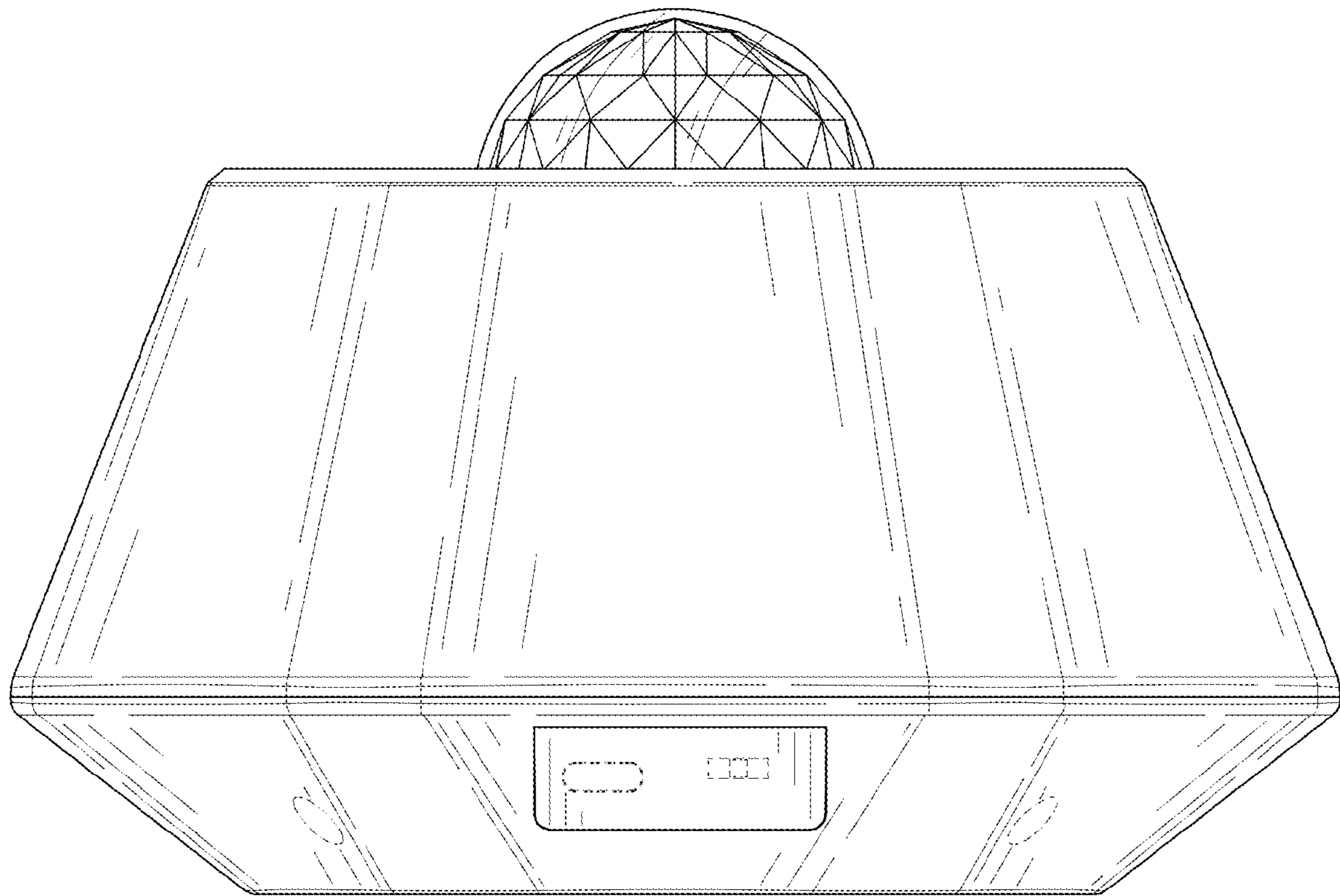


FIG. 4

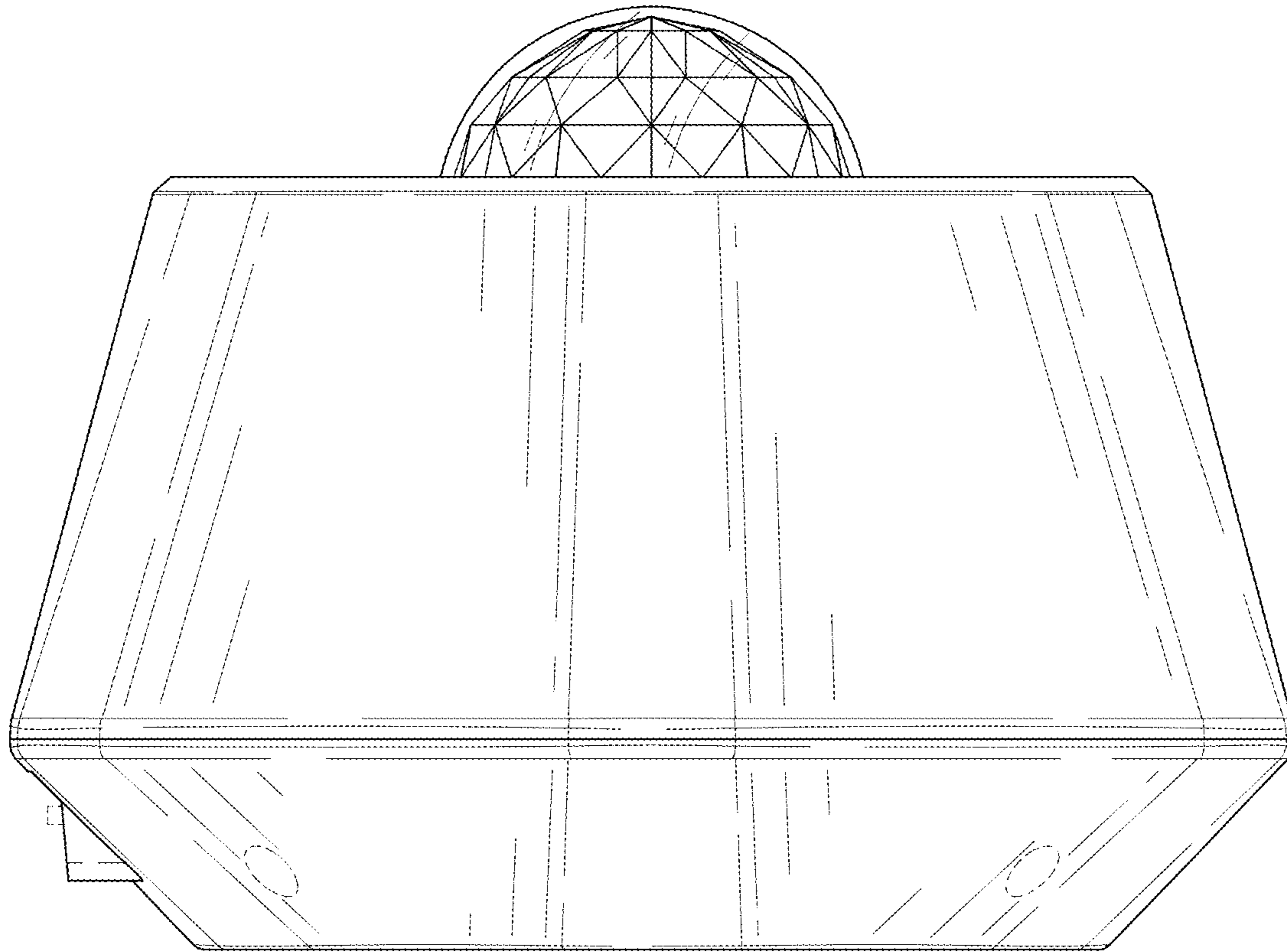


FIG. 5

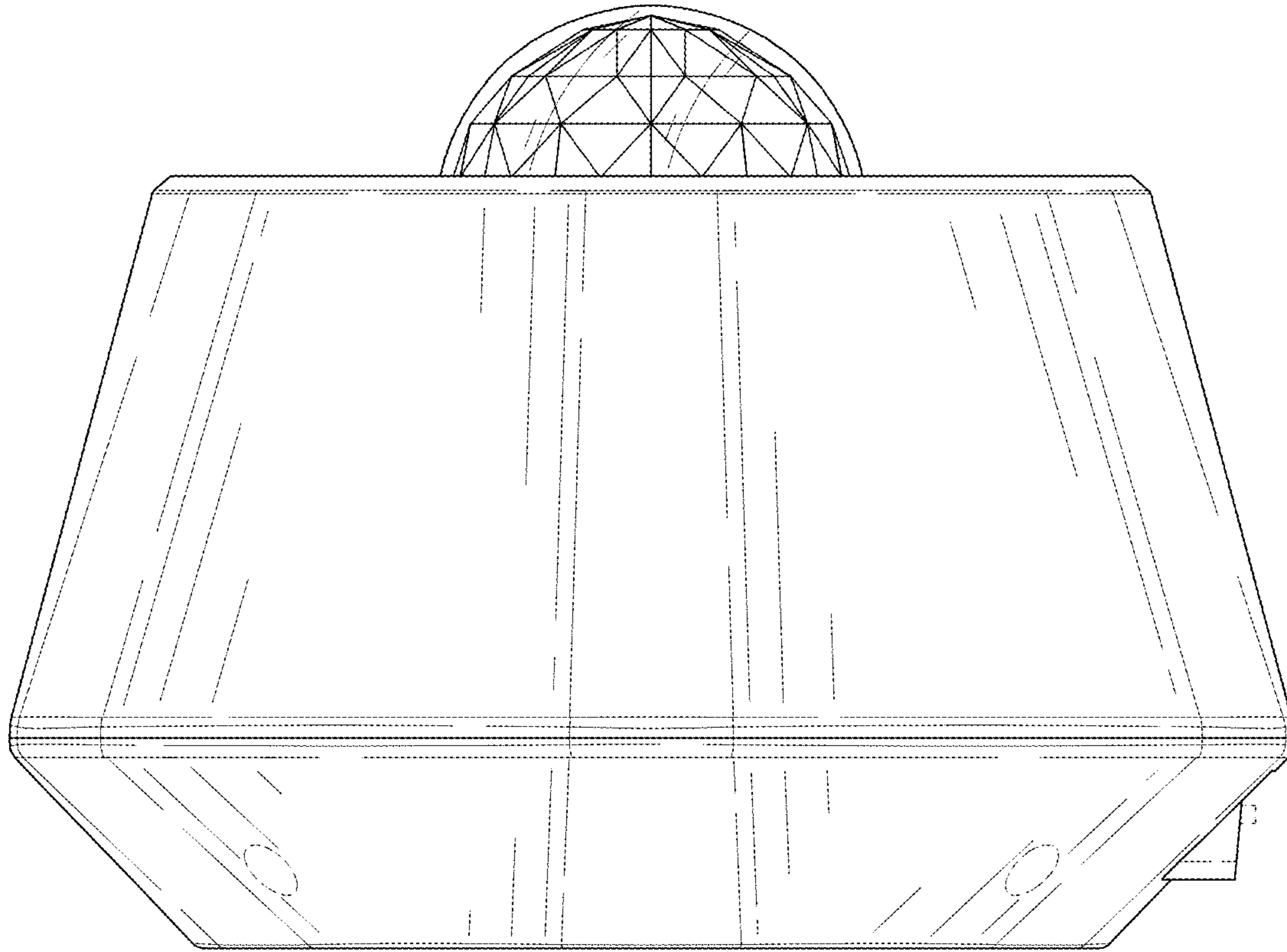


FIG. 6

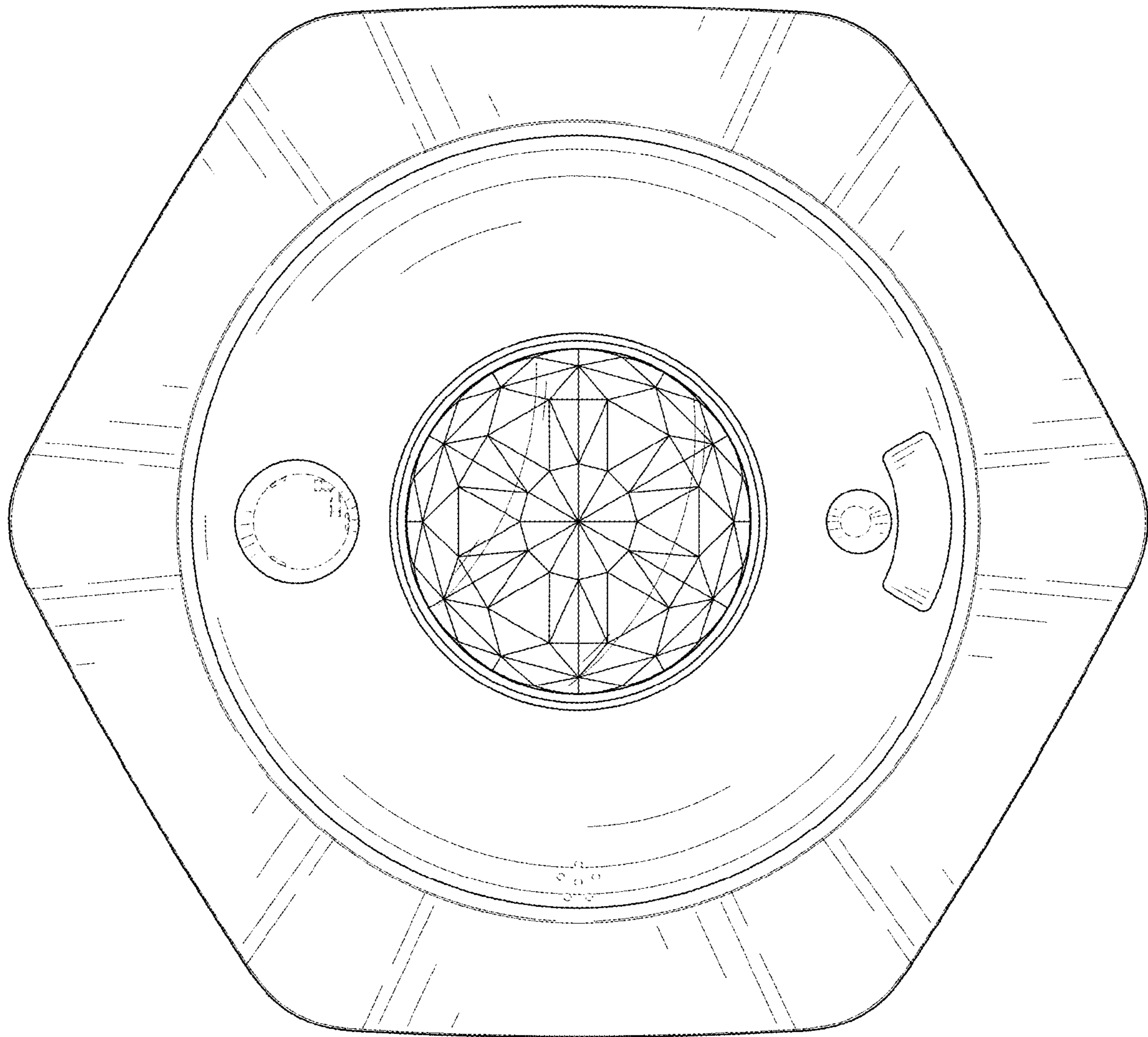


FIG. 7

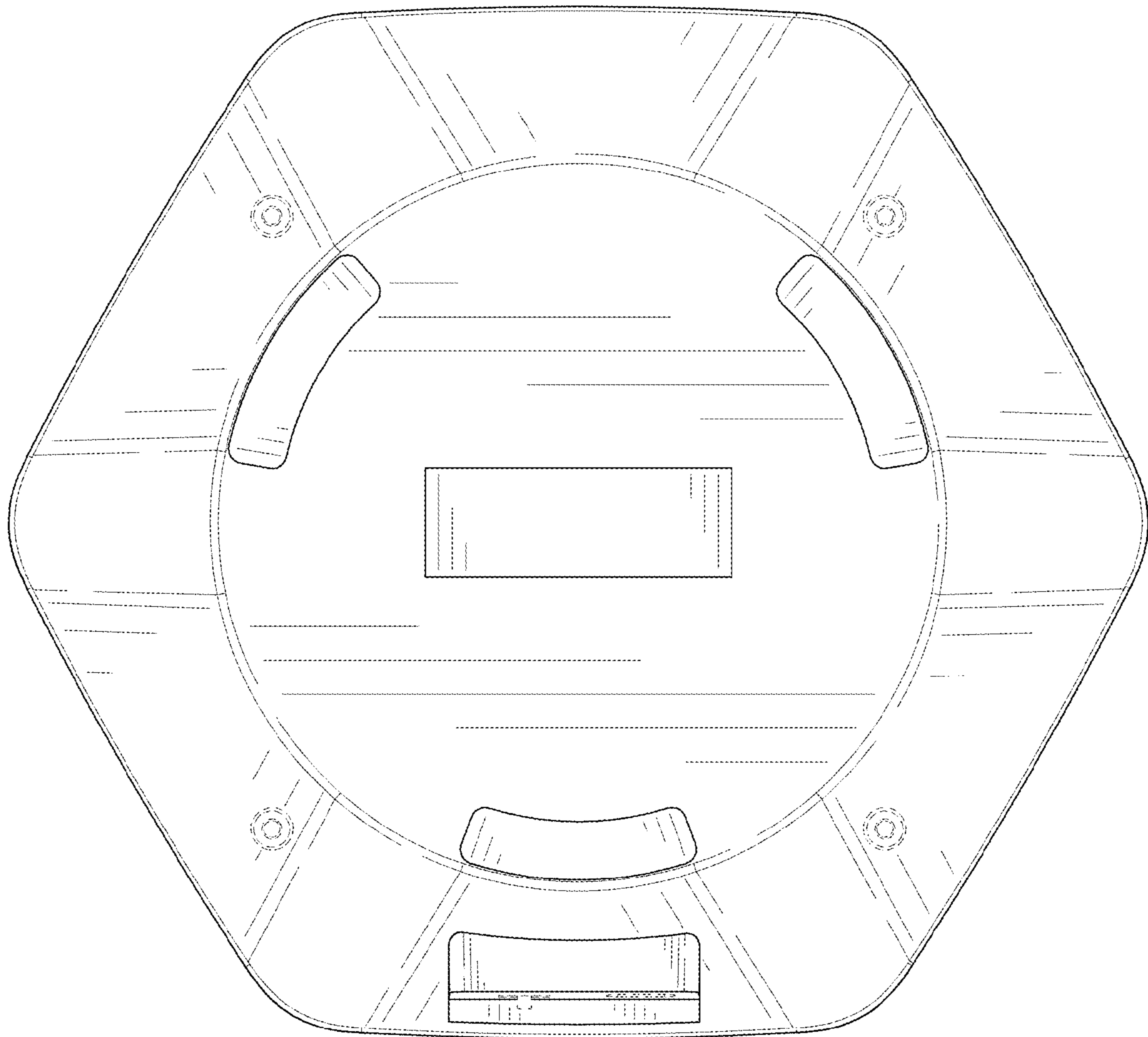


FIG. 8