



US00D953607S

(12) **United States Design Patent** (10) **Patent No.:** **US D953,607 S**  
**Chen** (45) **Date of Patent:** **\*\* May 31, 2022**

(54) **FLOOR LAMP**  
(71) Applicant: **ZHONGSHAN TAOZUO ELECTRIC TECHNOLOGY CO., LTD.,**  
Zhongshan (CN)

(72) Inventor: **Yunneng Chen, Zhongshan (CN)**

(73) Assignee: **ZHONGSHAN TAOZUO ELECTRIC TECHNOLOGY CO., LTD.,**  
Zhongshan (CN)

(\*) Notice: Patent file contains an affidavit/declaration under 37 CFR 1.130(b).

(\*\*) Term: **15 Years**

(21) Appl. No.: **29/779,768**

(22) Filed: **Apr. 21, 2021**

(30) **Foreign Application Priority Data**

Mar. 3, 2021 (EM) ..... 008449391-0003

(51) **LOC (13) Cl.** ..... **26-05**

(52) **U.S. Cl.**  
USPC ..... **D26/93**

(58) **Field of Classification Search**  
USPC .... D26/24, 61, 93, 102, 106, 110; D25/126;  
D6/300  
CPC .... F21S 6/00; F21S 8/032; F21S 6/005; F21S  
8/03; F21S 8/033; F21L 2/00; F21L 4/00;  
F21L 4/02; F21L 4/025; F21L 4/027;  
F21L 14/00  
See application file for complete search history.

(56) **References Cited**

**U.S. PATENT DOCUMENTS**

D370,290 S \* 5/1996 Papillon ..... D26/106  
D377,229 S \* 1/1997 Shalvi ..... D26/104  
D467,025 S \* 12/2002 Tinsley ..... D26/110  
D485,004 S \* 1/2004 Olson ..... D26/104  
D589,205 S \* 3/2009 Sabernig ..... D26/104

D590,093 S \* 4/2009 Starck ..... D26/93  
D595,009 S \* 6/2009 Osgerby ..... D26/107  
D626,280 S \* 10/2010 Feigenbaum ..... D26/104  
D646,837 S \* 10/2011 Yu ..... D26/93  
D729,971 S \* 5/2015 Salojarvi ..... D26/104  
D768,908 S 10/2016 Fisher et al.  
D788,972 S 6/2017 Araiza  
D872,347 S \* 1/2020 Probyn ..... D26/106

(Continued)

**FOREIGN PATENT DOCUMENTS**

CN 202130344725.3 \* 10/2021

**OTHER PUBLICATIONS**

Amazon, "Sujimov Corner Floor Lamp", first available Jan. 30, 2021. (<https://www.amazon.com/dp/B08VFMZSCH/?th=1>) (Year: 2021).\*

(Continued)

*Primary Examiner* — Lauren D McVey

*Assistant Examiner* — Justin A Johnson

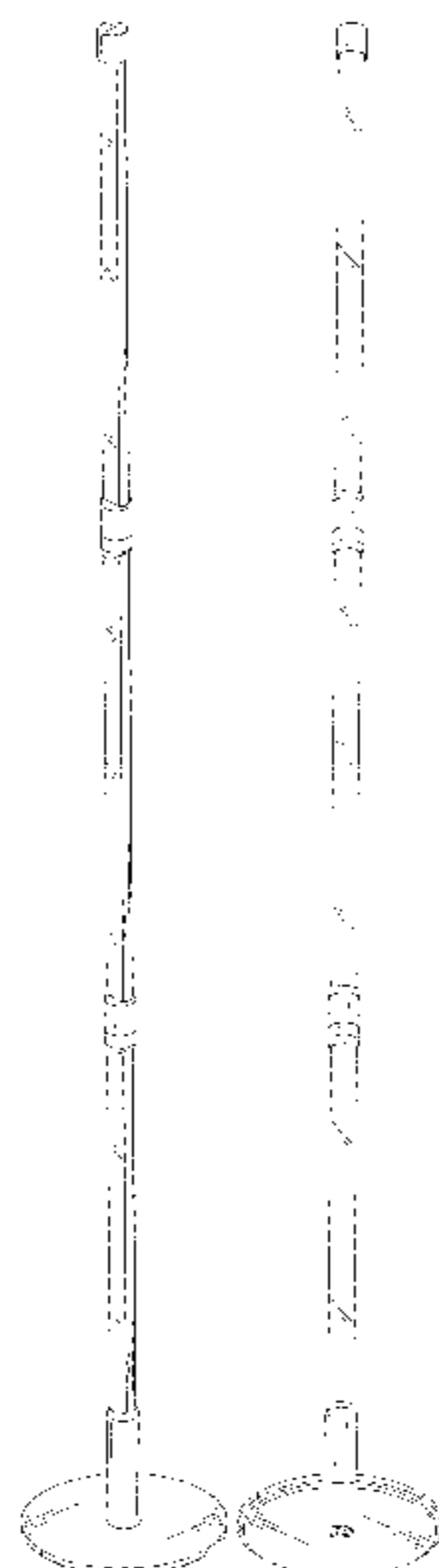
(57) **CLAIM**

The ornamental design for a floor lamp, as shown and described.

**DESCRIPTION**

FIG. 1 is a perspective view of a floor lamp showing my new design;  
FIG. 2 is another perspective view thereof;  
FIG. 3 is a front elevational view thereof;  
FIG. 4 is a rear elevational view thereof;  
FIG. 5 is a left side elevational view thereof;  
FIG. 6 is a right side elevational view thereof;  
FIG. 7 is a top plan view thereof;  
FIG. 8 is a bottom plan view thereof; and,  
FIG. 9 is an exploded perspective view of the floor lamp.  
The broken lines in the drawings depict portions of the floor lamp that form no part of the claimed design.

**1 Claim, 9 Drawing Sheets**



(56)

**References Cited**

U.S. PATENT DOCUMENTS

D878,664 S \* 3/2020 De Majo ..... D26/93  
D905,892 S \* 12/2020 Anastasiades ..... D26/75

OTHER PUBLICATIONS

Amazon, "Arzerlize Led Corner Floor Lamp", first available Oct. 13, 2021. (<https://www.amazon.com/dp/B09HC63BFH/>) (Year: 2021).\*

Amazon, "Joomie RGB Floor Lamp", first available Nov. 16, 2021. (<https://www.amazon.com/dp/B09LYS9GTT/>) (Year: 2021).\*

Amazon, "Huwaile Corner Floor Lamp", first available Nov. 23, 2021. (<https://www.amazon.com/dp/B09MFRN273/>) (Year: 2021).\*

\* cited by examiner

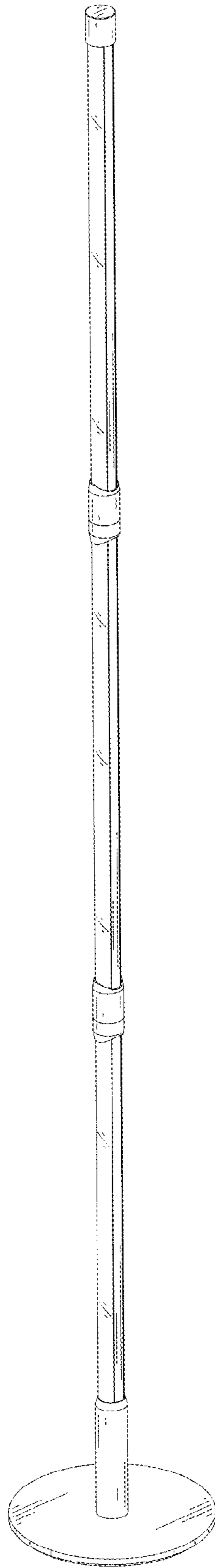


FIG. 1

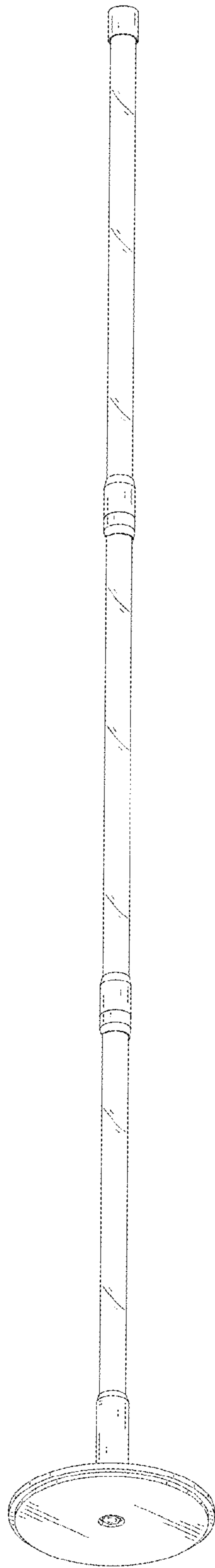


FIG. 2

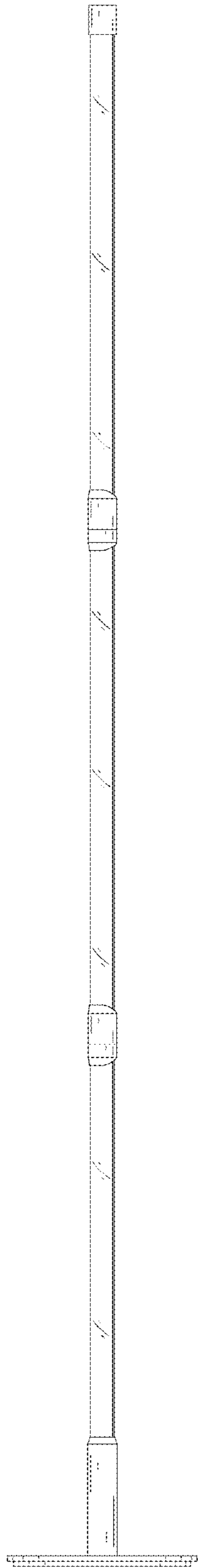


FIG. 3

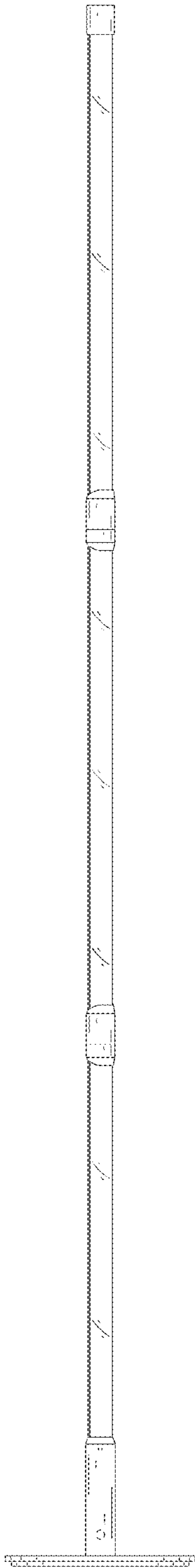


FIG. 4

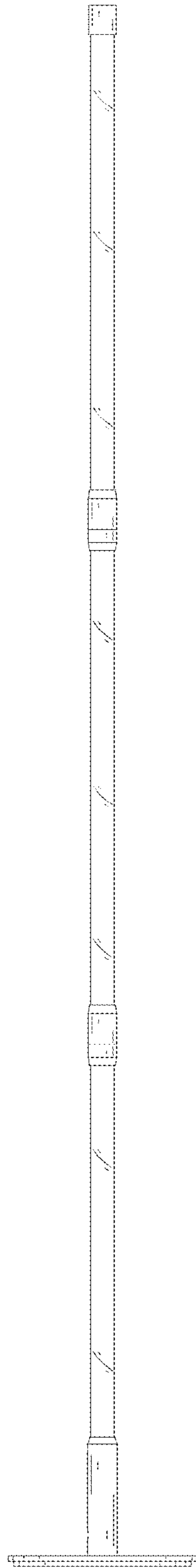


FIG. 5

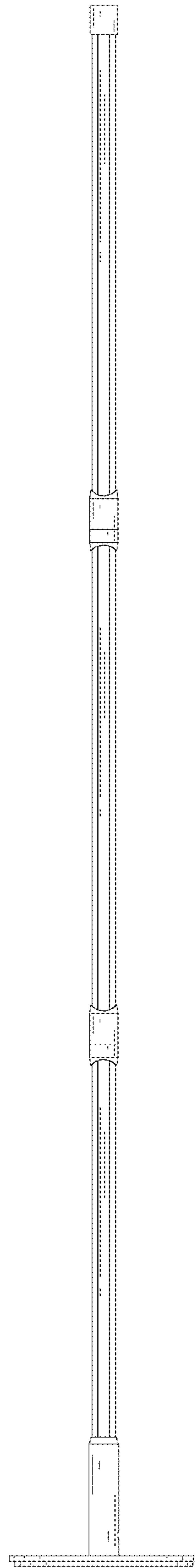


FIG. 6



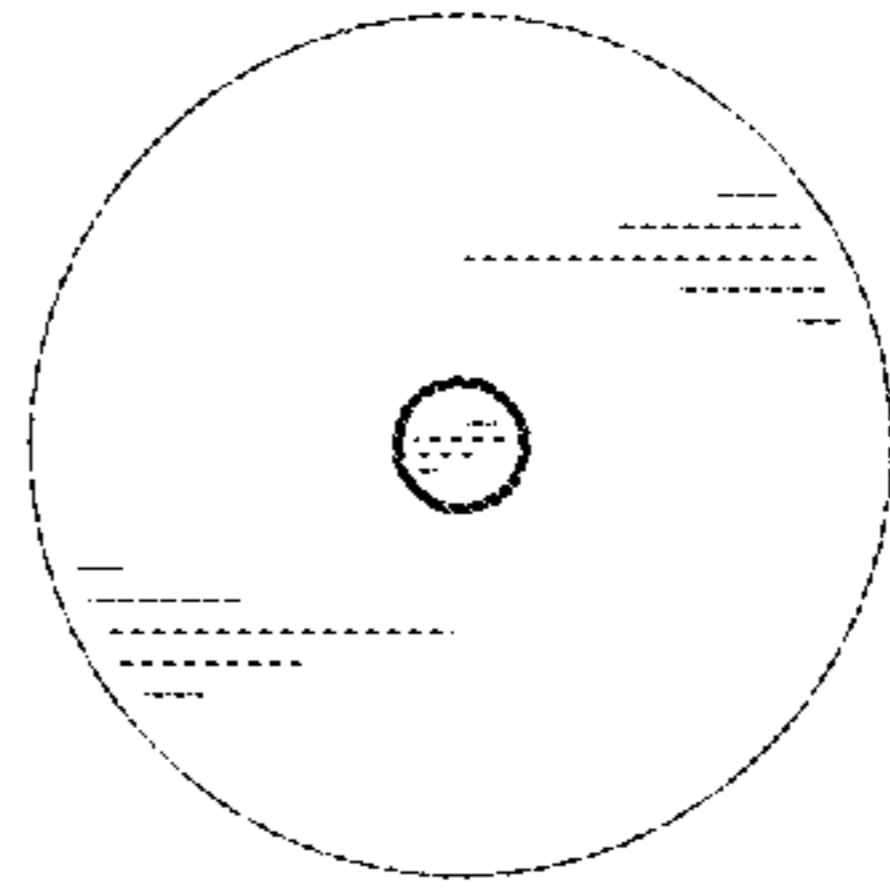


FIG. 7

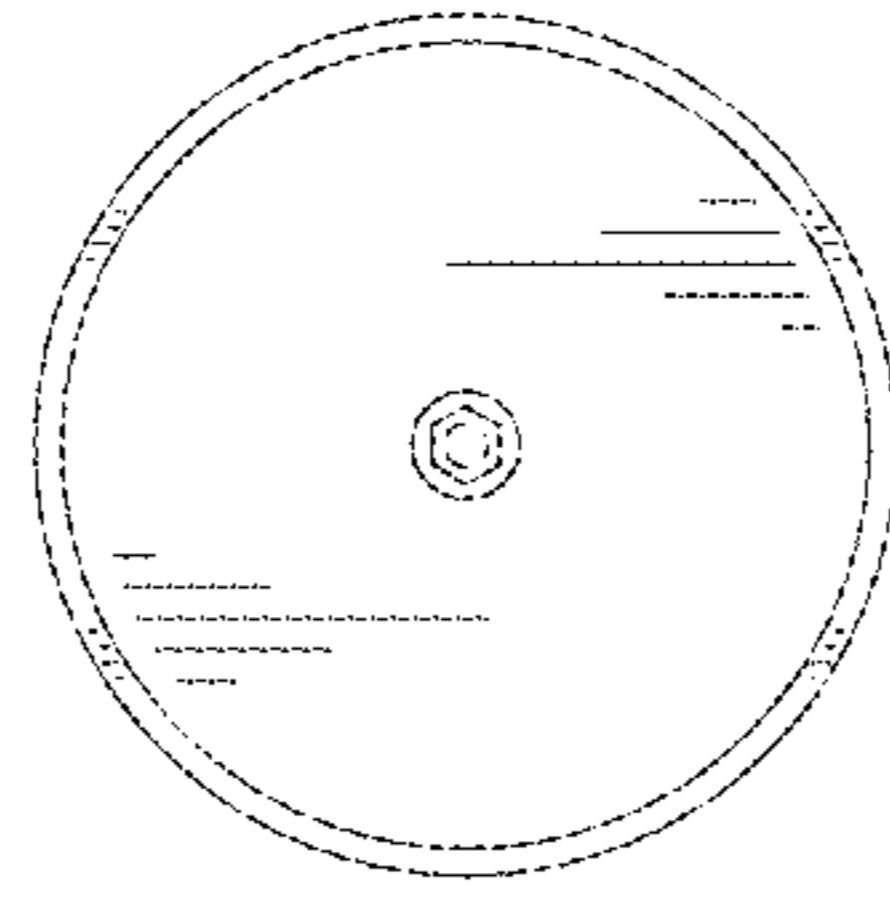


FIG. 8

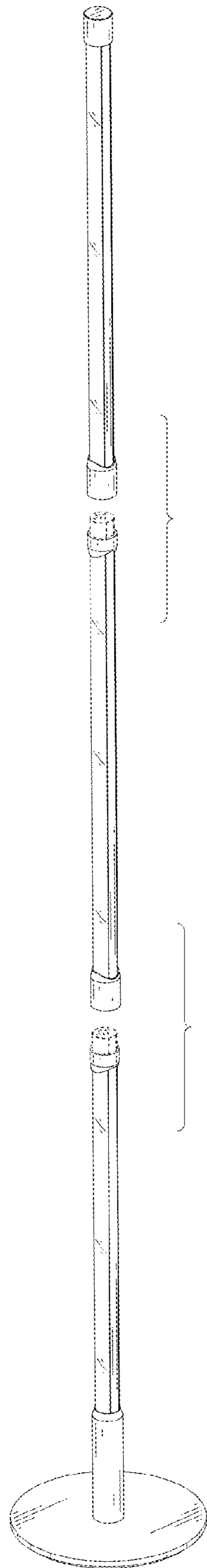


FIG. 9