



US00D953606S

(12) **United States Design Patent** (10) **Patent No.:** **US D953,606 S**
Charpin (45) **Date of Patent:** **** May 31, 2022**

- (54) **LAMP**
- (71) Applicant: **HAY ApS**, Horsens (DK)
- (72) Inventor: **Pierre Charpin**, Ivry sur Seine (FR)
- (73) Assignee: **HAY APS**, Horsens (DK)
- (**) Term: **15 Years**
- (21) Appl. No.: **29/744,792**
- (22) Filed: **Jul. 31, 2020**
- (51) **LOC (13) Cl.** **26-05**
- (52) **U.S. Cl.**
USPC **D26/90**
- (58) **Field of Classification Search**
USPC D26/72, 80, 81, 82, 84-90, 92, 118
CPC F21S 8/04; F21S 8/043; F21S 8/046; F21S 8/06; F21S 8/061; F21S 8/063; F21S 8/065; F21S 8/066; F21S 8/068
See application file for complete search history.

(56) **References Cited**

U.S. PATENT DOCUMENTS

- 2,673,914 A * 3/1954 Sundt H01H 21/025
362/306
- D443,939 S * 6/2001 Thomas D26/28
- D464,161 S * 10/2002 Nourishad D26/78
- D498,018 S * 11/2004 Sieczkowski D26/118
- D548,373 S * 8/2007 Handsaker D26/24
- D611,645 S * 3/2010 Copeland D26/83
- D617,935 S * 6/2010 Miletich D26/76
- D644,647 S * 9/2011 Sykes D14/447
- D647,241 S * 10/2011 Takahashi D26/72
- D706,516 S * 6/2014 Caglia D1/105
- D756,022 S * 5/2016 Shipman D26/113
- D756,558 S * 5/2016 Paulsen D26/142

- D771,304 S * 11/2016 Goltche D26/120
- D796,734 S * 9/2017 Sonneman D26/138
- D799,107 S * 10/2017 Sonneman D26/138
- D815,333 S * 4/2018 Santoro D26/90
- D819,250 S * 5/2018 Ji D26/76
- D884,953 S * 5/2020 Brillaud D26/72
- D890,403 S * 7/2020 Santoro D26/74
- D903,925 S * 12/2020 Meise D26/76
- D922,671 S * 6/2021 Elwell D26/138

OTHER PUBLICATIONS

Muuto, Linear pendant. First available unknown. Searched on Mar. 3, 2022. [<https://www.finnishdesignshop.com/lighting-ceiling-lamps-pendant-lamps-linear-pendant-1692-black-p-32434.html>] (Year: 2022).*

Tech Lighting, Zhane Linear Suspension Light. First available Apr. 25, 2014. Searched Mar. 3, 2022. [<https://www.amazon.com/Tech-Lighting-700LSZHN49B-LED277-Zhane-Suspension/dp/B00JXY4EW4>] (Year: 2014).*

(Continued)

Primary Examiner — Samantha Q Lawrence
Assistant Examiner — Melissa Adriane Santos
 (74) *Attorney, Agent, or Firm* — Cantor Colburn LLP

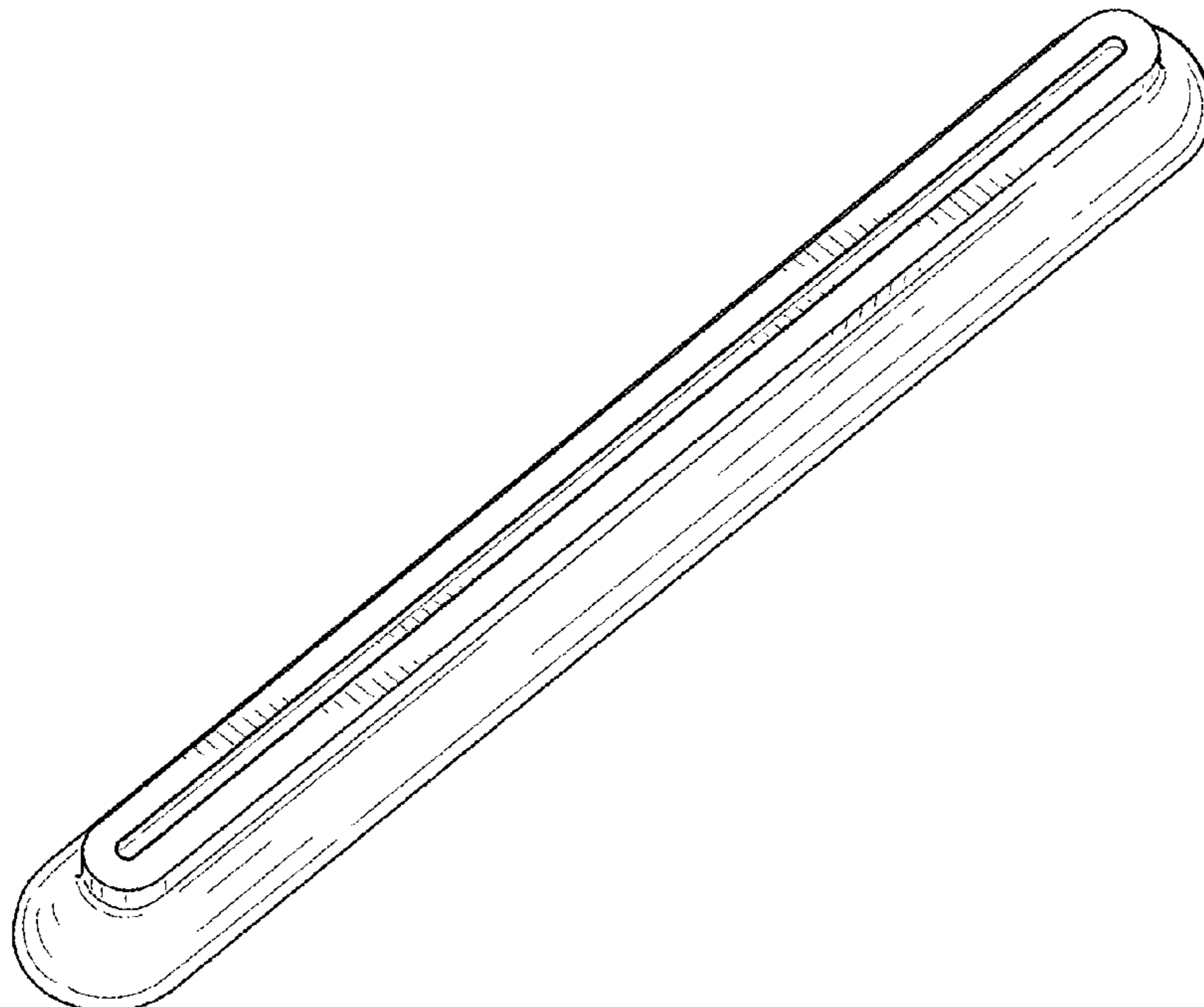
(57) **CLAIM**

I claim, the ornamental design for a lamp, as shown and described.

DESCRIPTION

FIG. 1 is a top perspective view of a lamp, showing my new design;
 FIG. 2 is a bottom perspective view thereof;
 FIG. 3 is a side view thereof, an opposite side view being a mirror image thereof;
 FIG. 4 is another side view thereof, an opposite side view being a mirror image thereof; and,
 FIG. 5 is a top view thereof.

1 Claim, 5 Drawing Sheets



(56)

References Cited

OTHER PUBLICATIONS

Flos, Kapprofile Architectural Light. First available Oct. 18, 2020. Searched on Mar. 3, 2022. [<https://arch.flosusa.com/soft-architecture/kapprofile/kapprofile/>] (Year: 2020).*

Estiluz, Smile wall lamp. First available unknown. Searched on Mar. 3, 2022. [https://www.estiluz.com/en_US/wall-lights/smile-3350a-3351a-3352a] (Year: 2022).*

* cited by examiner

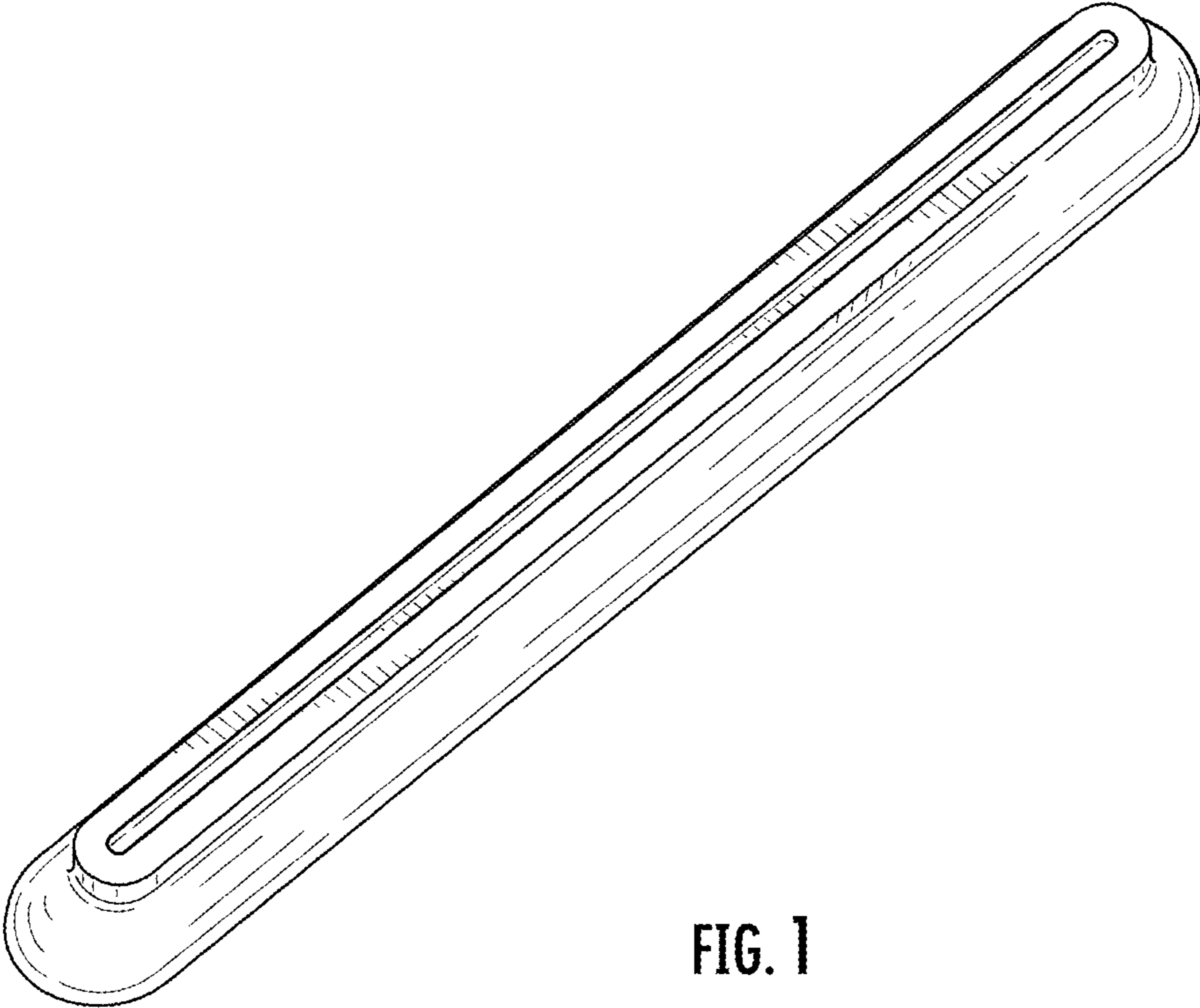


FIG. 1

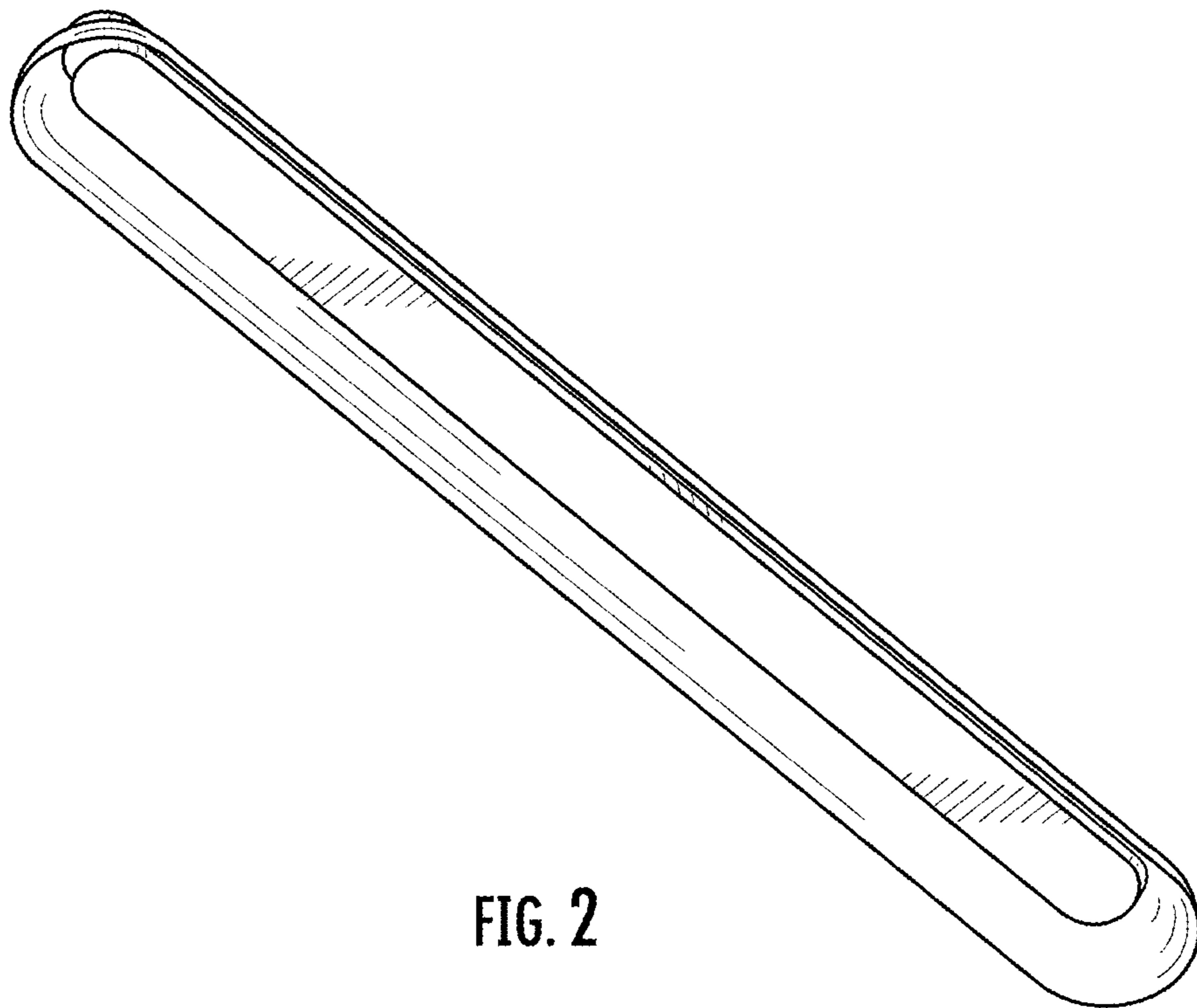


FIG. 2

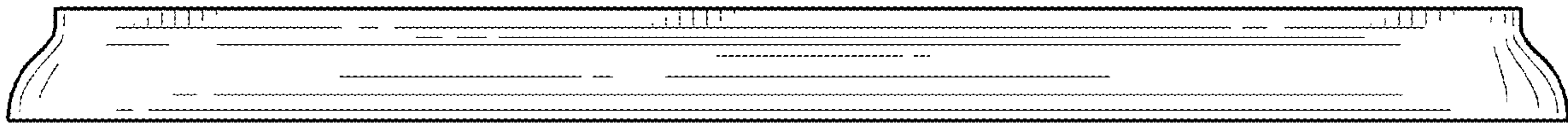


FIG. 3

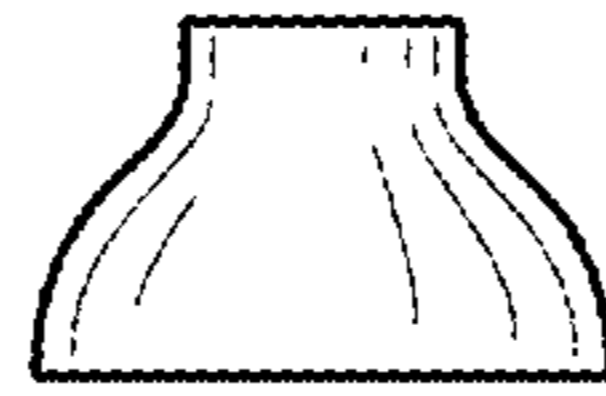


FIG. 4

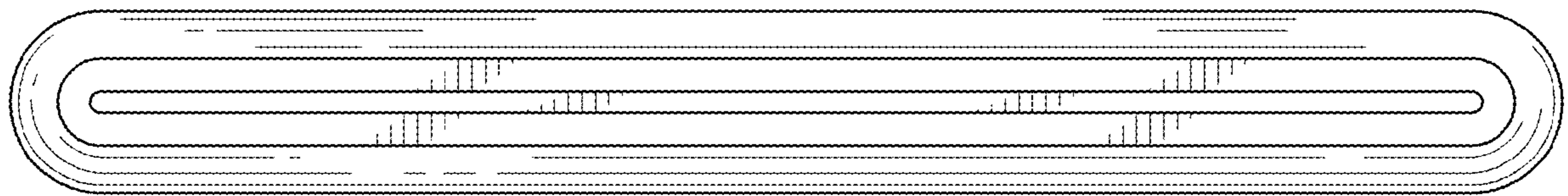


FIG. 5

UNITED STATES PATENT AND TRADEMARK OFFICE
CERTIFICATE OF CORRECTION

PATENT NO. : D953,606 S
APPLICATION NO. : 29/744792
DATED : May 31, 2022
INVENTOR(S) : Pierre Charpin

Page 1 of 1

It is certified that error appears in the above-identified patent and that said Letters Patent is hereby corrected as shown below:

On the Title Page

Please add:

(30) Foreign Application Priority Data: (EP) 007999180-0001 filed on June 12, 2020

Signed and Sealed this
Twentieth Day of August, 2024
Katherine Kelly Vidal

Katherine Kelly Vidal
Director of the United States Patent and Trademark Office