



US00D953603S

(12) **United States Design Patent**
Iwasaki

(10) **Patent No.:** **US D953,603 S**

(45) **Date of Patent:** **** May 31, 2022**

(54) **LAMP**

(71) Applicant: **VIBIA LIGHTING, S.L.U.**, Gavà (ES)

(72) Inventor: **Ichiro Iwasaki**, Tokyo (JP)

(73) Assignee: **VIBIA LIGHTING, S.L.U.**, Gavà (ES)

(**) Term: **15 Years**

(21) Appl. No.: **35/511,194**

(22) Filed: **Oct. 6, 2020**

(80) **Hague Agreement Data**

Int. Filing Date: **Oct. 6, 2020**

Int. Reg. No.: **DM/212103**

Int. Reg. Date: **Oct. 6, 2020**

Int. Reg. Pub. Date: **Jan. 22, 2021**

(30) **Foreign Application Priority Data**

Apr. 6, 2020 (EM) 007792239-0005

(51) **LOC (13) Cl.** **26-05**

(52) **U.S. Cl.**
USPC **D26/88**

(58) **Field of Classification Search**

USPC D26/76, 78, 79, 80, 81, 83, 85, 86, 88,
D26/89, 90, 93, 111, 118, 119, 120, 121,
D26/122, 138, 140, 141, 142, 152
CPC F21S 2/00; F21S 4/00; F21S 4/003; F21S
4/005; F21S 4/006; F21S 4/007; F21S
4/008; F21S 6/00; F21S 8/00; F21S
8/024; F21S 8/026; F21S 8/031; F21S
8/033; F21S 8/035-037; F21S 8/04; F21S
8/043; F21S 8/063

See application file for complete search history.

(56) **References Cited**

U.S. PATENT DOCUMENTS

D108,654 S * 3/1938 Versen D26/88

D442,315 S * 5/2001 Schaefer D26/85

D445,941 S * 7/2001 Schaefer D26/85
D465,872 S * 11/2002 Cacaci D26/90
D492,440 S * 6/2004 Parres D26/85
D520,670 S * 5/2006 Wachter D26/142
D581,087 S * 11/2008 Sabernig D26/88
D640,823 S * 6/2011 Hokazono D26/89
D655,849 S * 3/2012 Sabernig D26/85
D655,855 S * 3/2012 Sabernig D26/89
D659,883 S * 5/2012 Herremans D26/88
D702,869 S * 4/2014 Kondou D26/88
D770,076 S * 10/2016 Li D26/89
D779,706 S * 2/2017 Starck D26/110
D841,868 S * 2/2019 Xu D26/89
D869,735 S * 12/2019 Babutzka D26/88
D876,707 S * 2/2020 Tang D26/110
D877,393 S * 3/2020 Yu D26/88
D889,021 S * 6/2020 De Silva D26/88
D889,726 S * 7/2020 Gismondi D26/88
D911,585 S * 2/2021 Anastasiades D26/88
D936,271 S * 11/2021 Pardo D26/86

* cited by examiner

Primary Examiner — Natasha Vujcic

(74) *Attorney, Agent, or Firm* — McCormick, Paulding & Huber PLLC

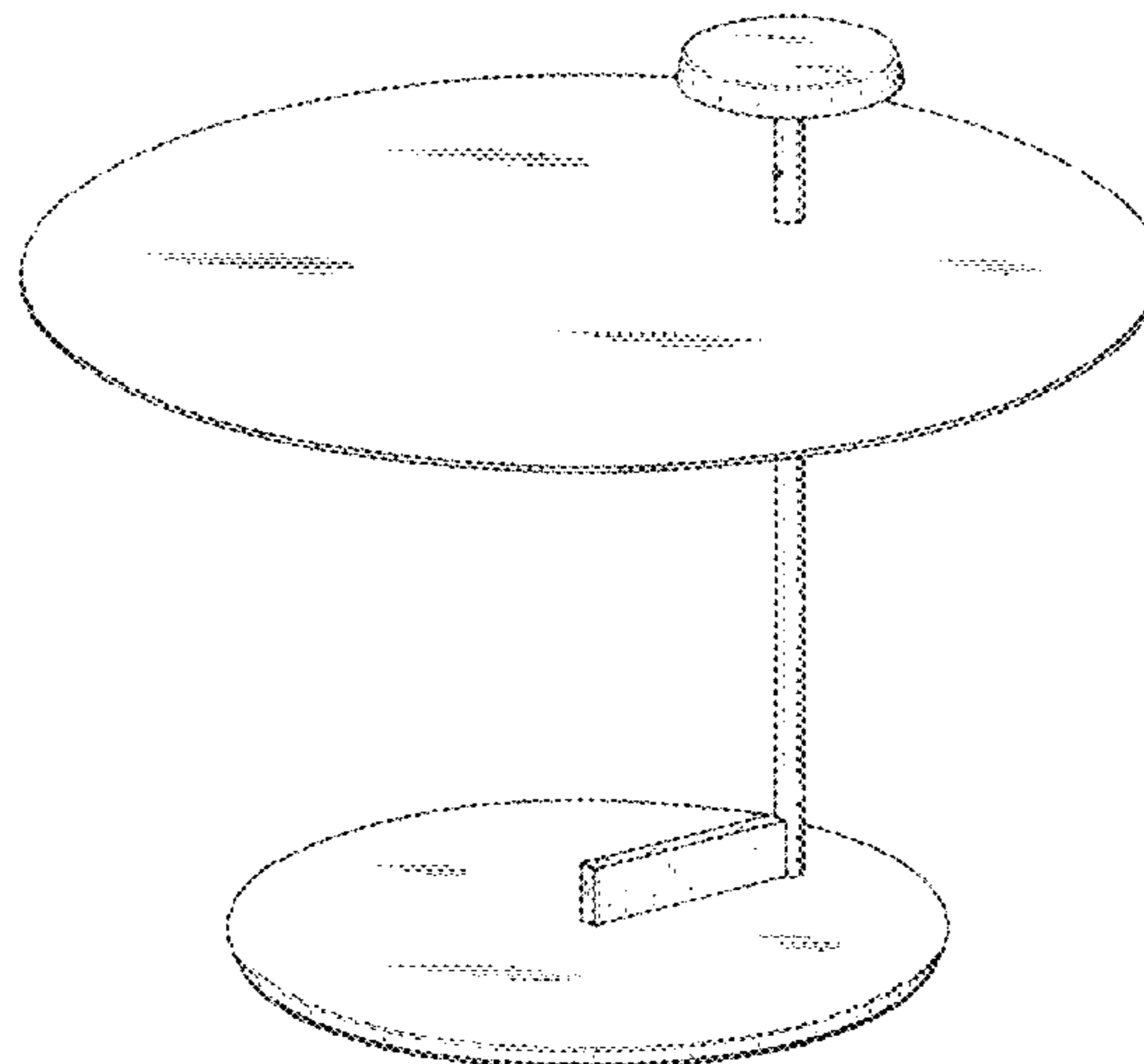
(57) **CLAIM**

The ornamental design for a lamp, as shown and described.

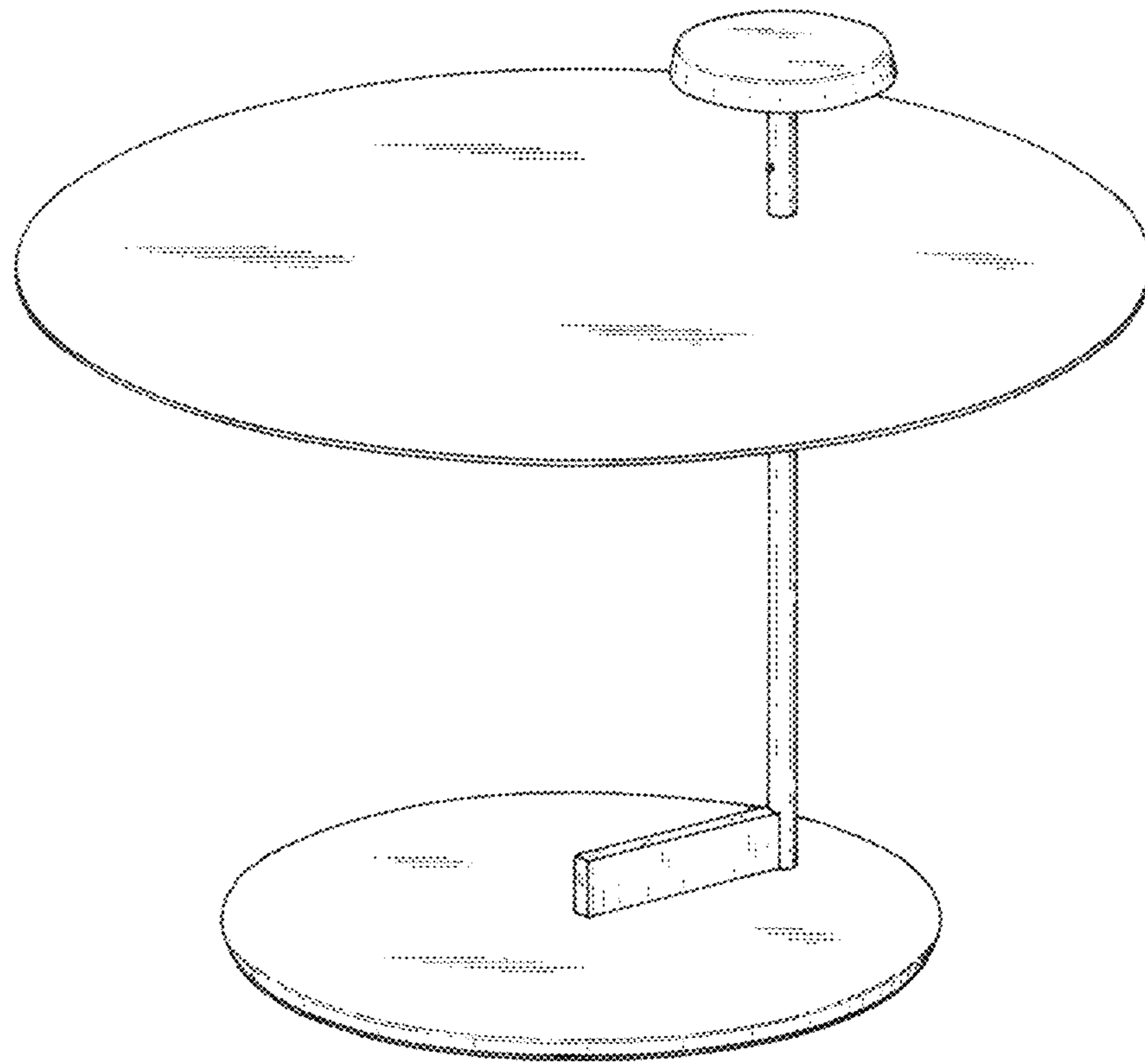
DESCRIPTION

- 1. Lamp
- 1.1 : Perspective
- 1.2 : Perspective
- 1.3 : Right
- 1.4 : Back
- 1.5 : Front
- 1.6 : Top
- 1.7 : Bottom

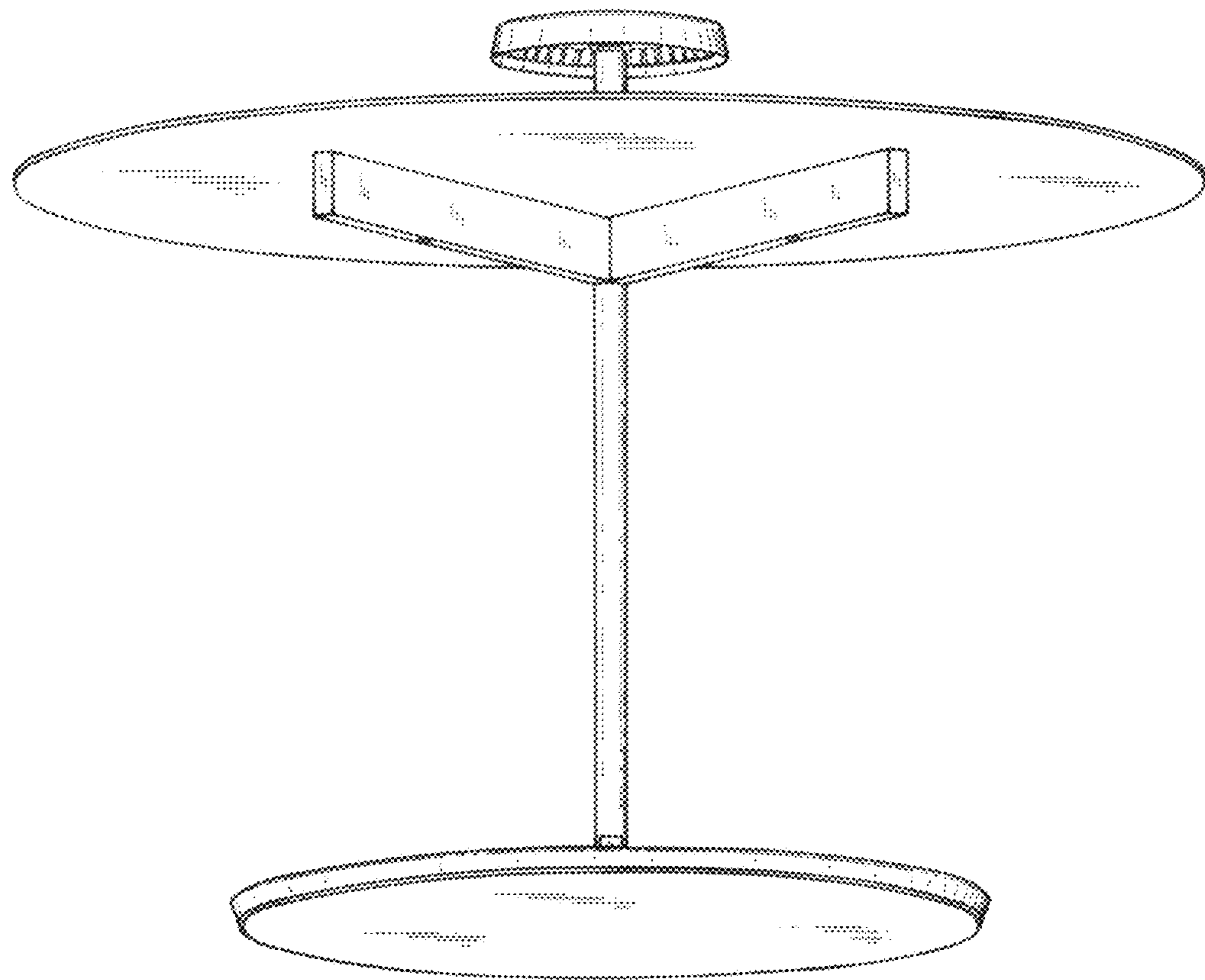
1 Claim, 7 Drawing Sheets



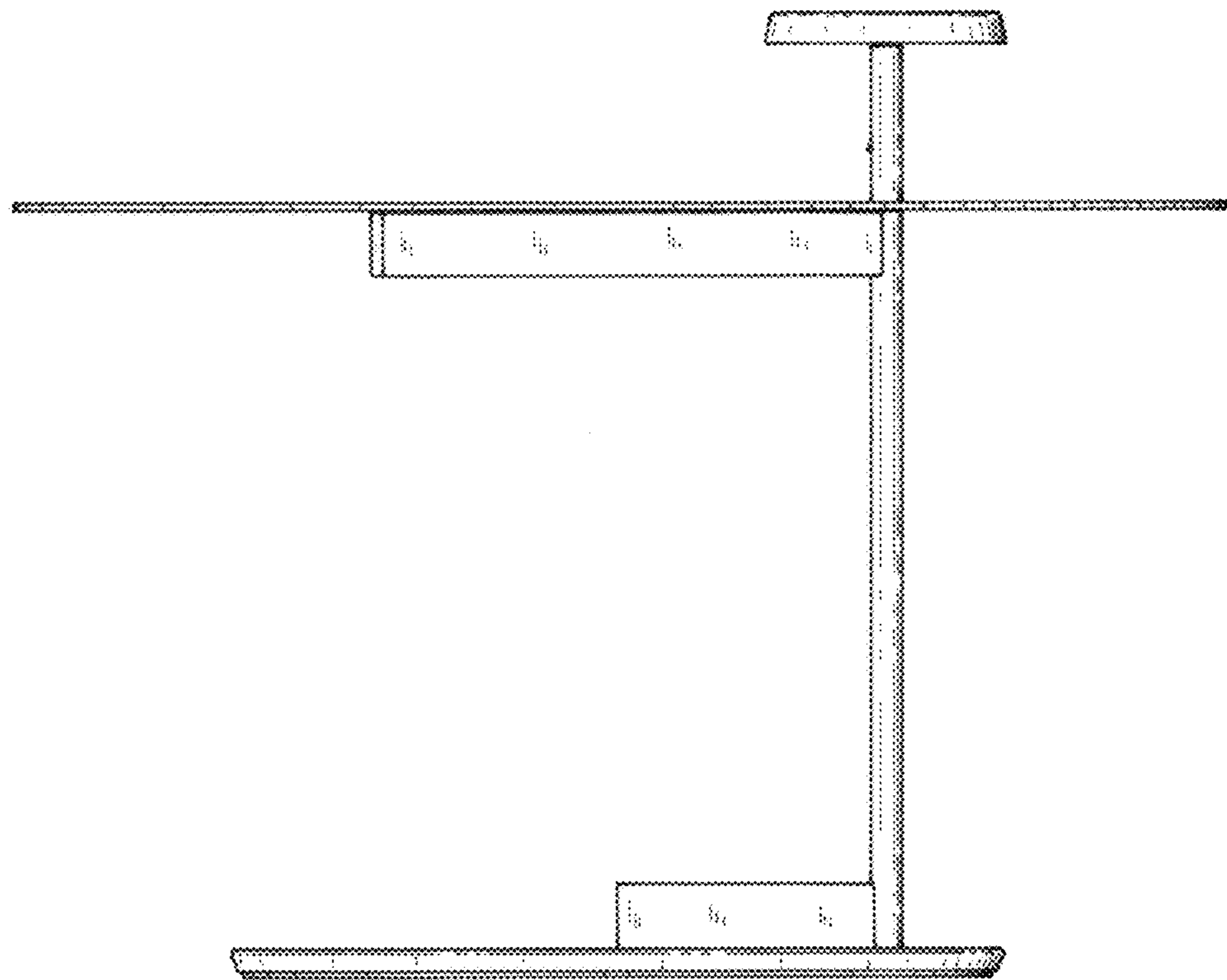
1.1



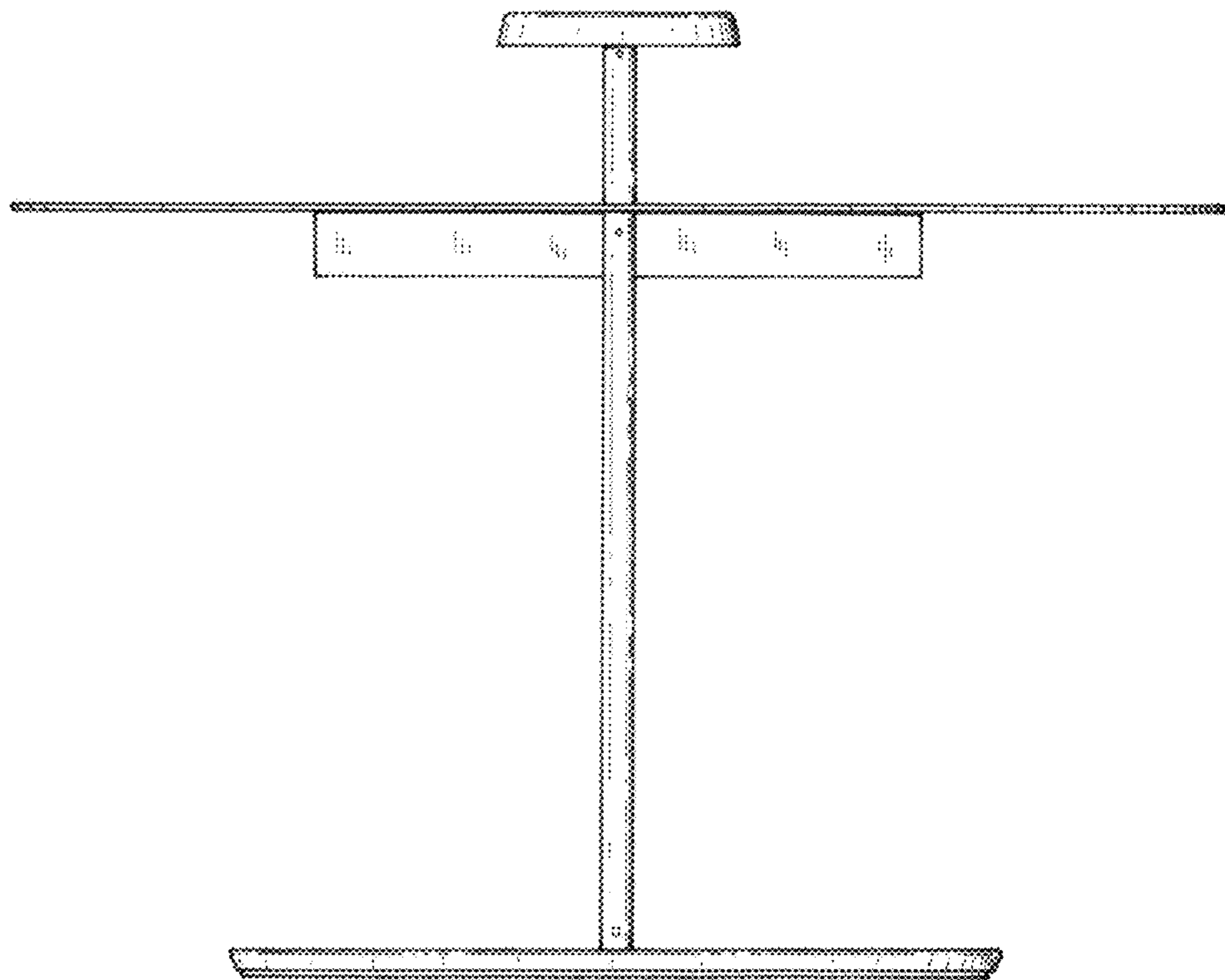
1.2



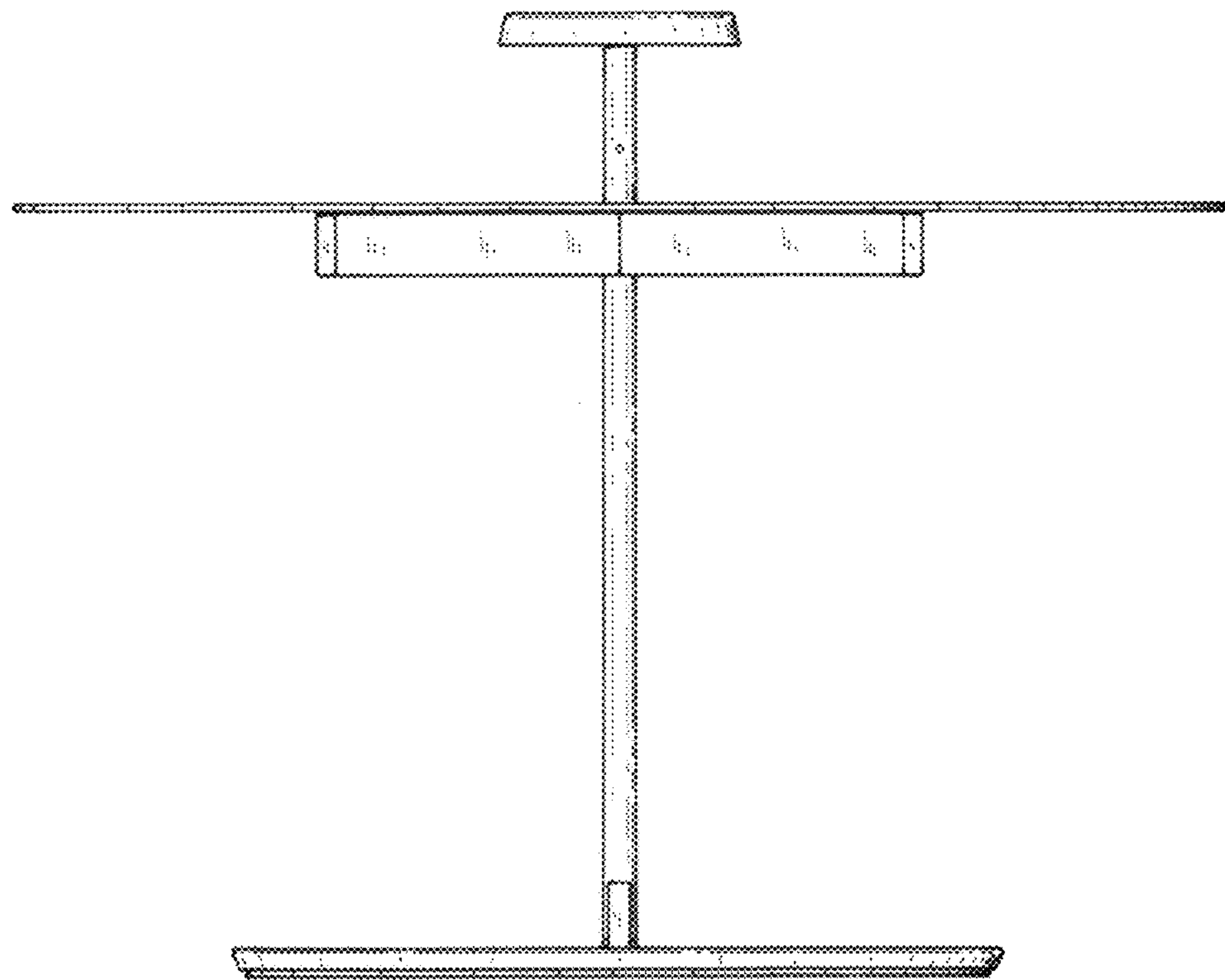
1.3



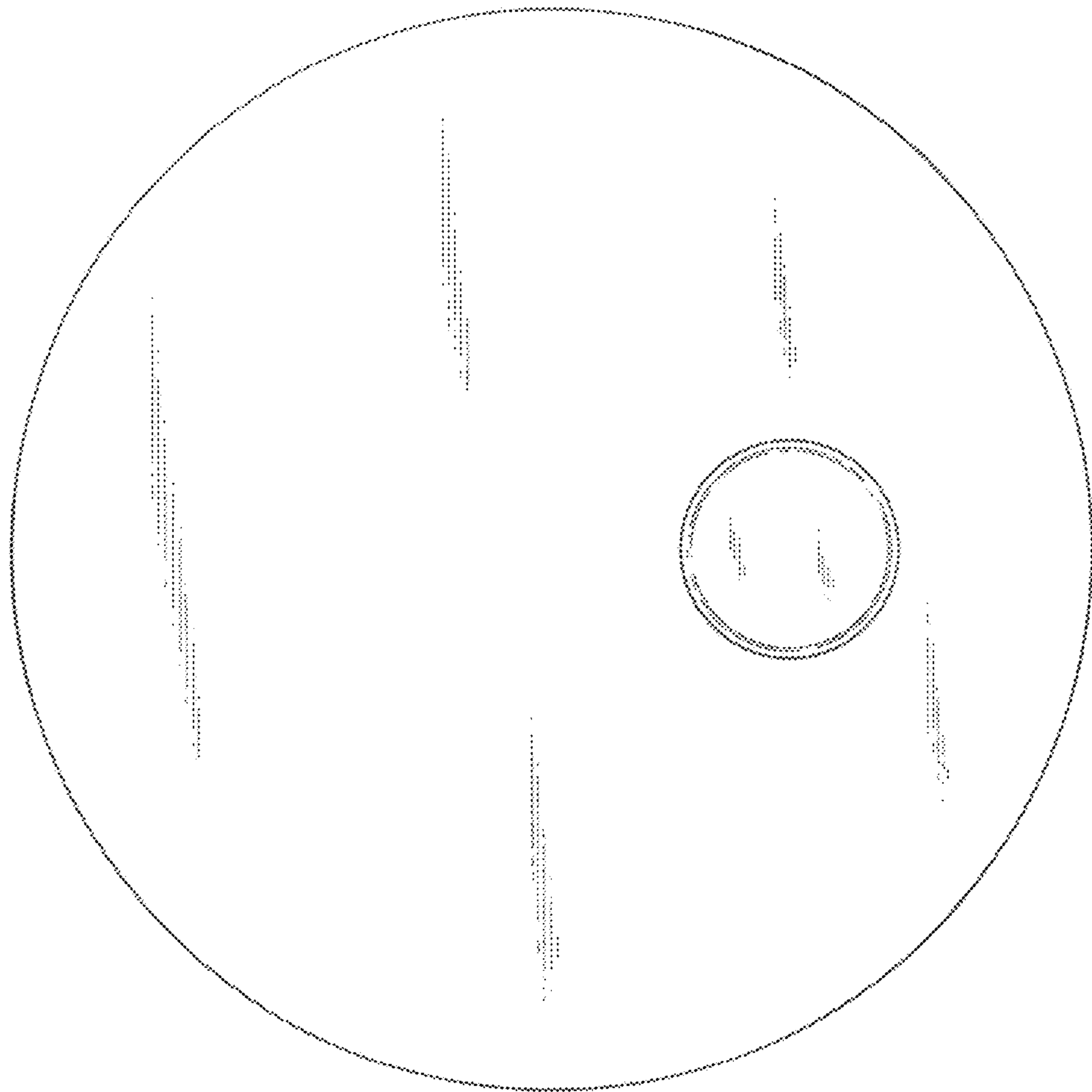
1.4



1.5



1.6



1.7

