



US00D953602S

(12) **United States Design Patent** (10) **Patent No.:** **US D953,602 S**
Herkner (45) **Date of Patent:** **** May 31, 2022**

(54) **LAMP**

(71) Applicant: **VIBIA LIGHTING, S.L.U.**, Gavà (ES)

(72) Inventor: **Sebastian Herkner**, Offenbach am Main (DE)

(73) Assignee: **VIBIA LIGHTING, S.L.U.**, Gavà (ES)

(**) Term: **15 Years**

(21) Appl. No.: **35/511,176**

(22) Filed: **Oct. 6, 2020**

(80) **Hague Agreement Data**

Int. Filing Date: **Oct. 6, 2020**

Int. Reg. No.: **DM/212127**

Int. Reg. Date: **Oct. 6, 2020**

Int. Reg. Pub. Date: **Jan. 22, 2021**

(30) **Foreign Application Priority Data**

Apr. 6, 2020 (EM) 007792239-0026

(51) **LOC (13) Cl.** **26-05**

(52) **U.S. Cl.**
USPC **D26/88; D26/76**

(58) **Field of Classification Search**
USPC D26/76, 78, 79, 80, 81, 83, 85, 86, 88,
D26/89, 90, 93, 111, 118, 119, 120, 121,
D26/122, 138, 140, 141, 142, 152
CPC F21S 2/00; F21S 4/00; F21S 4/003; F21S
4/005; F21S 4/006; F21S 4/007; F21S
4/008; F21S 6/00; F21S 8/00; F21S
8/024; F21S 8/026; F21S 8/031; F21S
8/033; F21S 8/035-037; F21S 8/04; F21S
8/043; F21S 8/063

See application file for complete search history.

(56) **References Cited**

U.S. PATENT DOCUMENTS

D581,087 S *	11/2008	Sabernig	D26/88
D640,823 S *	6/2011	Hokazono	D26/89
D644,371 S *	8/2011	Orozco	D26/90
D656,653 S *	3/2012	Sabernig	D26/86
D702,869 S *	4/2014	Kondou	D26/88
D874,046 S *	1/2020	Hogan	D26/76
D886,356 S *	6/2020	Cornelissen	D26/85
D907,276 S *	1/2021	Jiang	D26/87
D917,768 S *	4/2021	Chen	D26/87
D918,603 S *	5/2021	Bassant	D6/309
D923,235 S *	6/2021	Hu	D26/86
D929,016 S *	8/2021	Hogan	D26/76
D935,086 S *	11/2021	Anastassiades	D26/85
D936,271 S *	11/2021	Pardo	D26/88

* cited by examiner

Primary Examiner — Natasha Vujcic

(74) *Attorney, Agent, or Firm* — McCormick, Paulding & Huber PLLC

(57) **CLAIM**

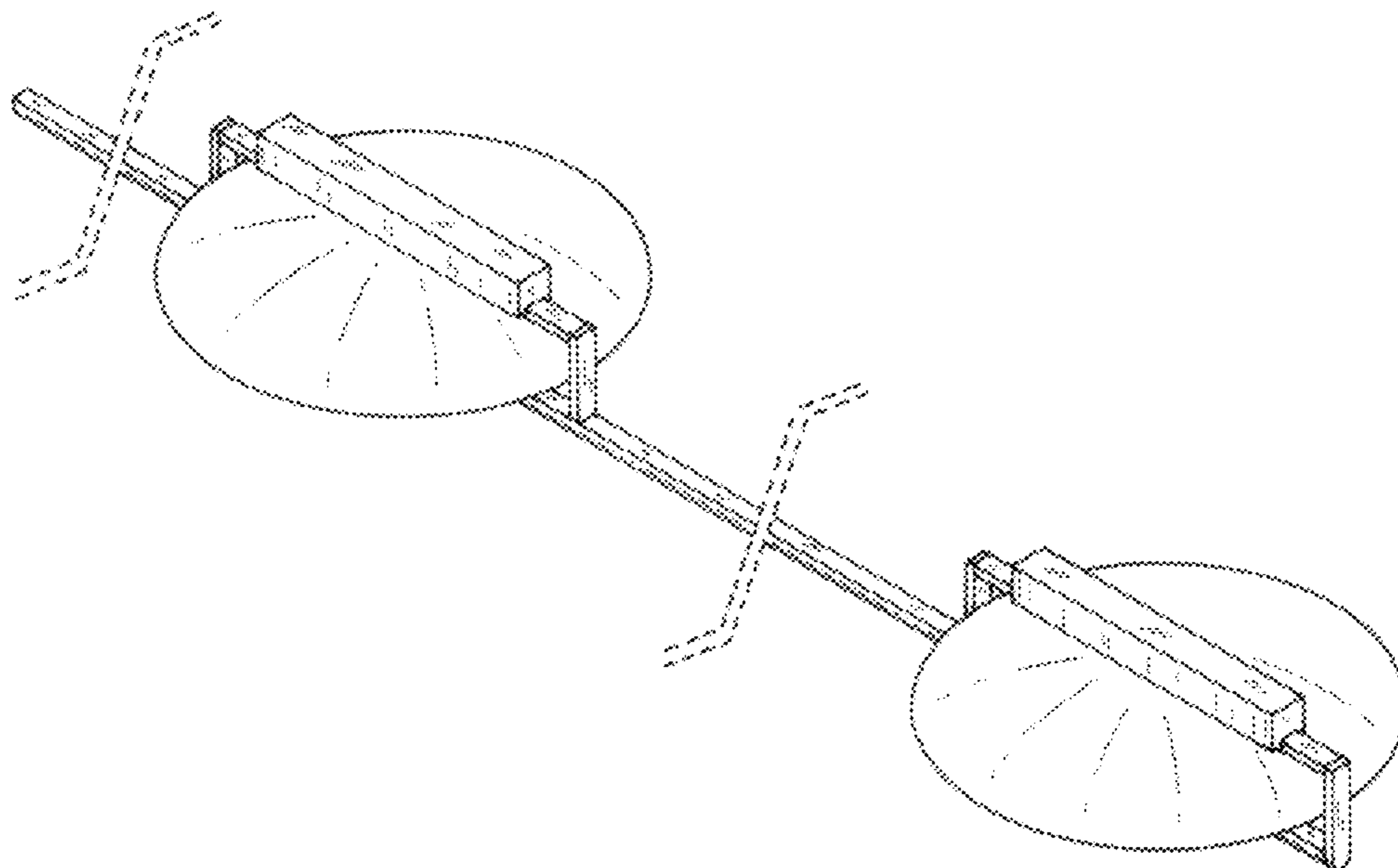
The ornamental design for a lamp, as shown and described.

DESCRIPTION

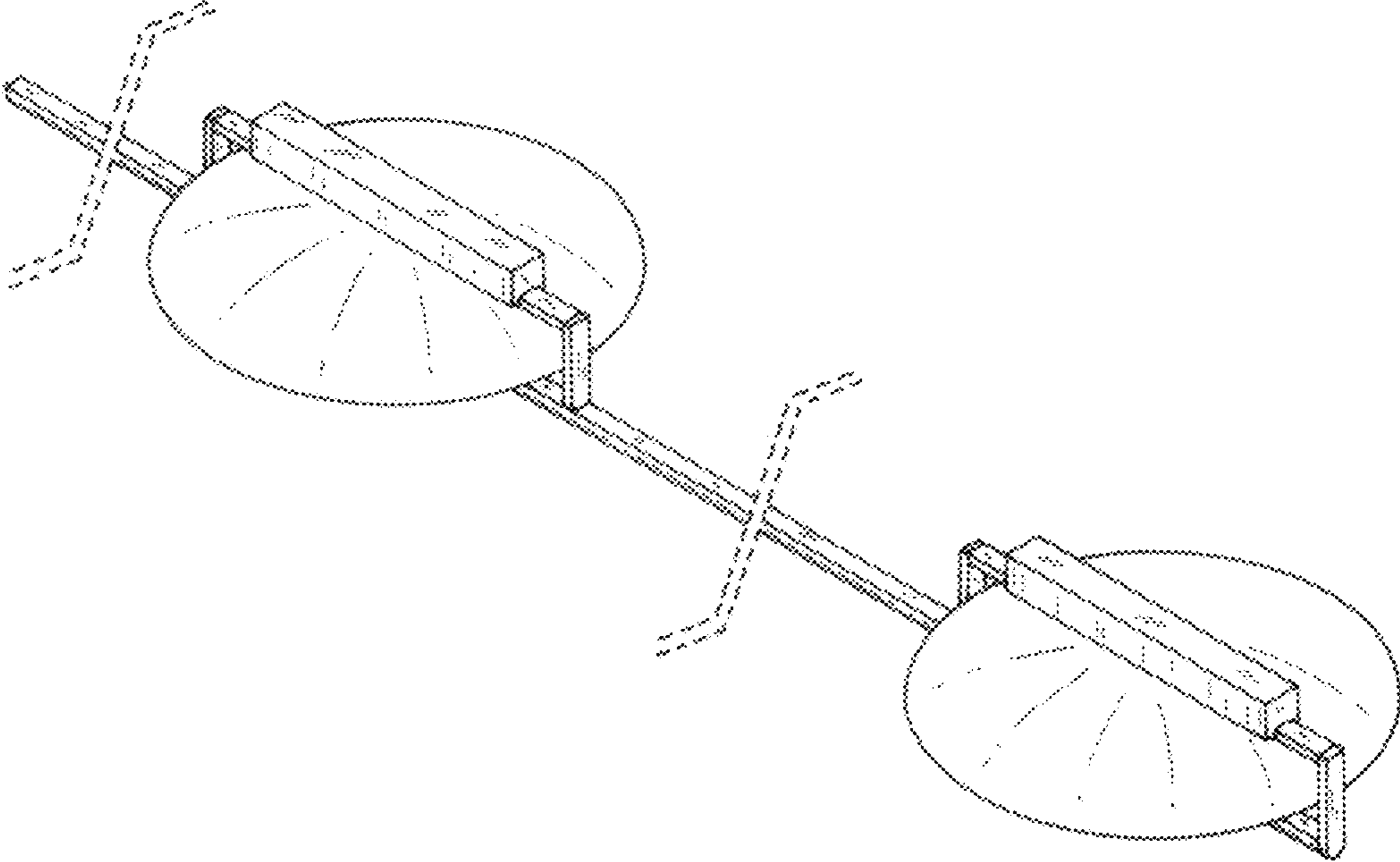
- 1. Lamp
- 1.1 : Perspective
- 1.2 : Perspective
- 1.3 : Left
- 1.4 : Right
- 1.5 : Front
- 1.6 : Top
- 1.7 : Bottom

The break lines in figures indicate that the appearance of any portion of the lamp between the break lines forms no part of the claimed design.

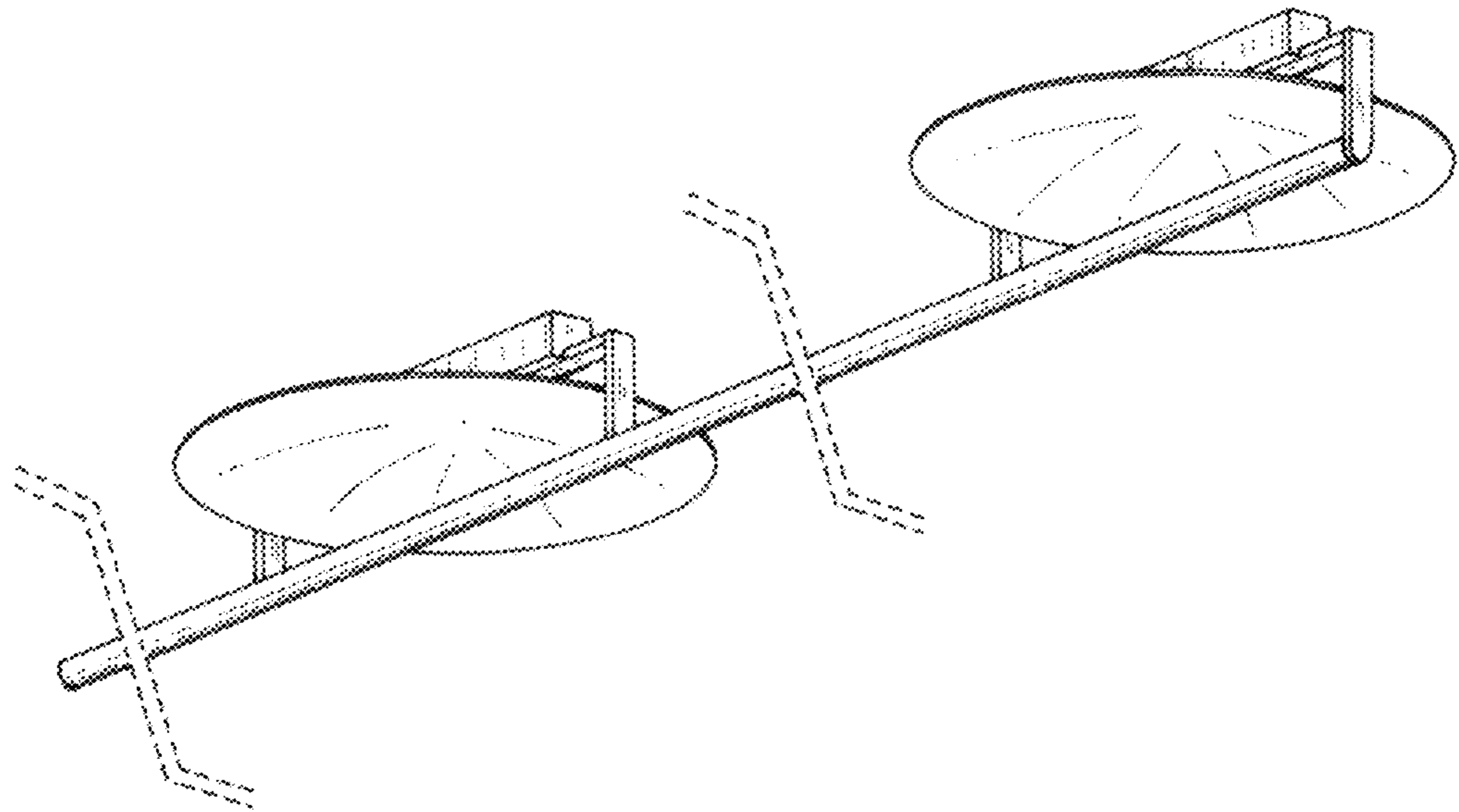
1 Claim, 7 Drawing Sheets



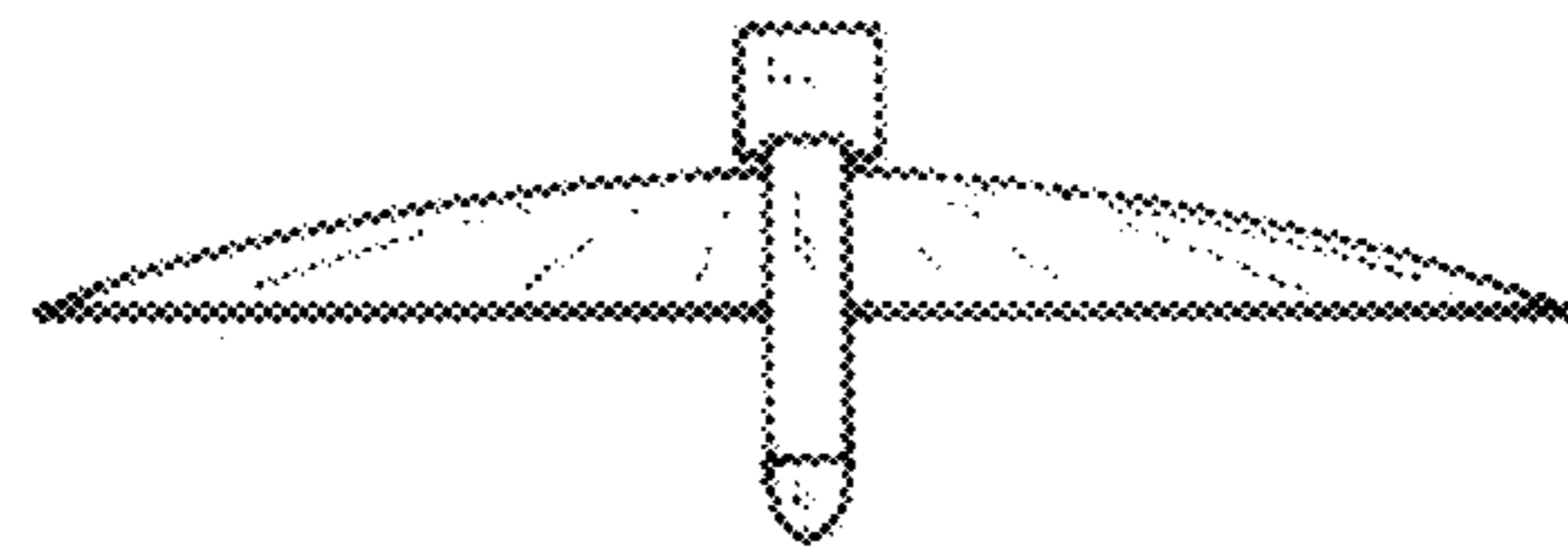
1.1



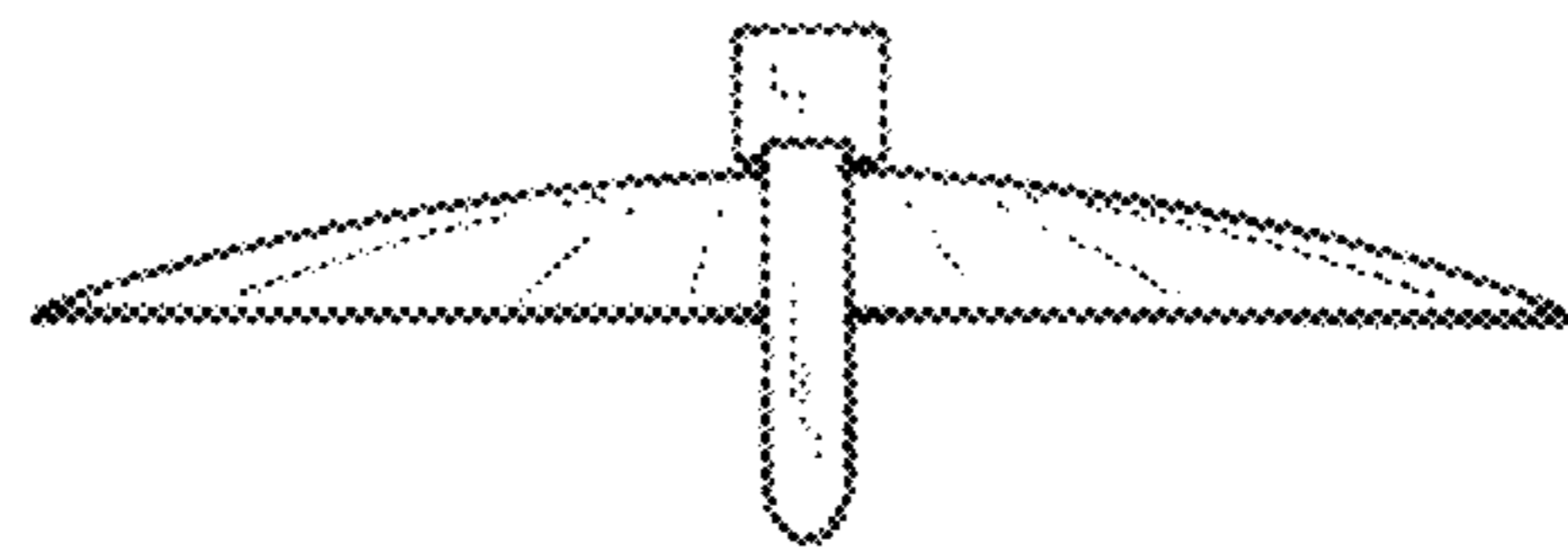
1.2



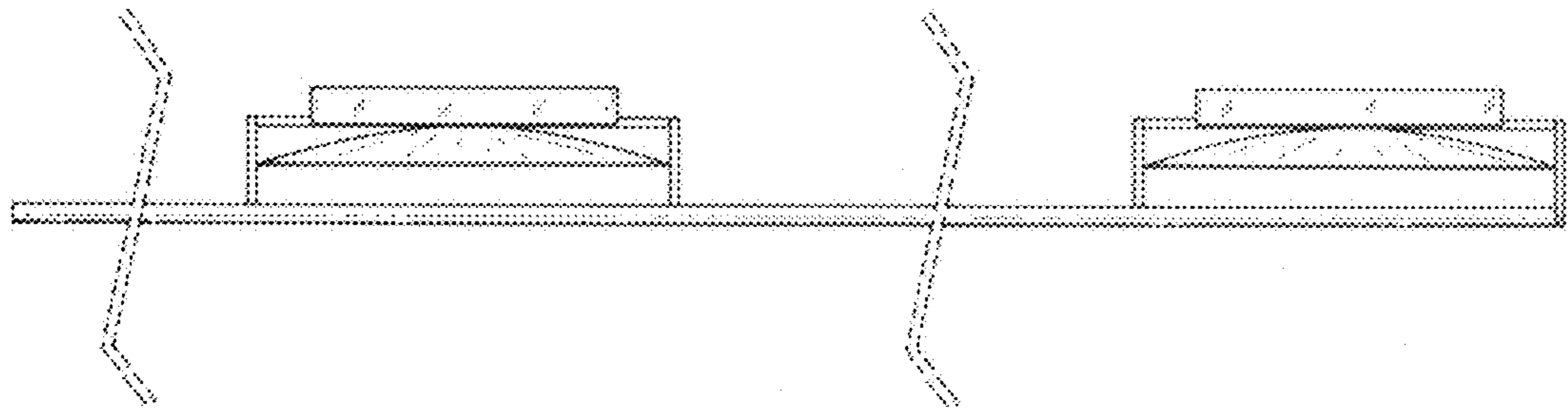
1.3



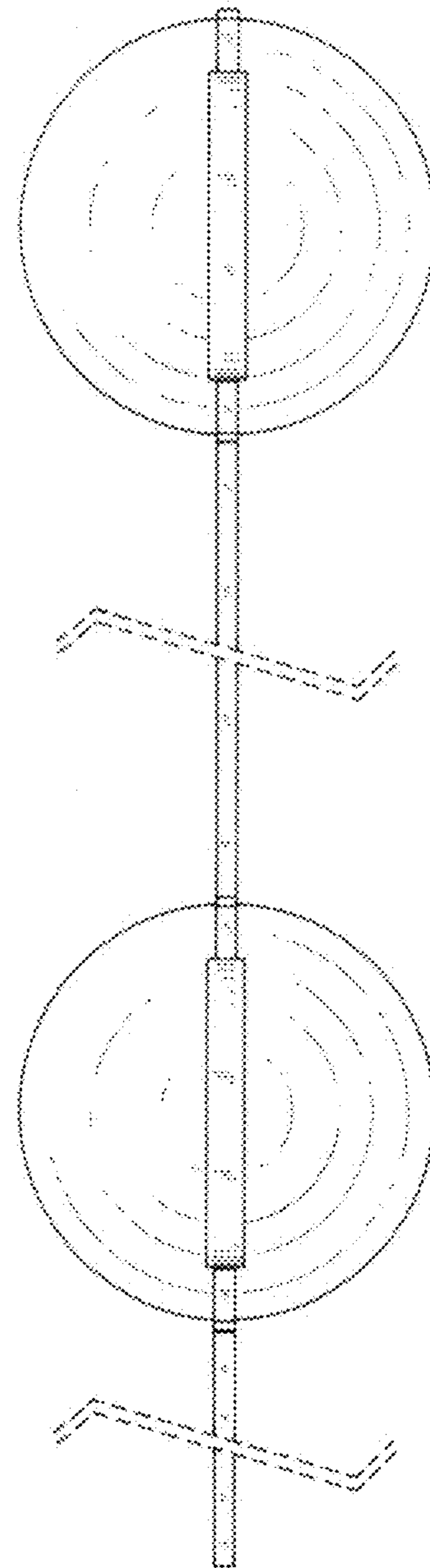
1.4



1.5



1.6



1.7

