



US00D953601S

(12) **United States Design Patent**  
**Iwasaki**

(10) **Patent No.:** **US D953,601 S**

(45) **Date of Patent:** **\*\* May 31, 2022**

(54) **LAMP**

(71) Applicant: **VIBIA LIGHTING, S.L.U**, Gavà (ES)

(72) Inventor: **Ichiro Iwasaki**, Tokyo (JP)

(73) Assignee: **VIBIA LIGHTING, S.L.U.**, Gavà (ES)

(\*\*) Term: **15 Years**

(21) Appl. No.: **35/511,171**

(22) Filed: **Oct. 6, 2020**

(80) **Hague Agreement Data**

Int. Filing Date: **Oct. 6, 2020**

Int. Reg. No.: **DM/212101**

Int. Reg. Date: **Oct. 6, 2020**

Int. Reg. Pub. Date: **Jan. 22, 2021**

(30) **Foreign Application Priority Data**

Apr. 6, 2020 (EM) ..... 007792239-0009

(51) **LOC (13) Cl.** ..... **26-05**

(52) **U.S. Cl.**  
USPC ..... **D26/88**

(58) **Field of Classification Search**

USPC ..... D26/76, 78, 79, 80, 81, 83, 85, 86, 88,  
D26/89, 90, 93, 111, 118, 119, 120, 121,  
D26/122, 138, 140, 141, 142, 152  
CPC ..... F21S 2/00; F21S 4/00; F21S 4/003; F21S  
4/005; F21S 4/006; F21S 4/007; F21S  
4/008; F21S 6/00; F21S 8/00; F21S  
8/024; F21S 8/026; F21S 8/031; F21S  
8/033; F21S 8/035-037; F21S 8/04; F21S  
8/043; F21S 8/063

See application file for complete search history.

(56) **References Cited**

**U.S. PATENT DOCUMENTS**

D108,654 S \* 3/1938 Versen ..... D26/88  
D442,315 S \* 5/2001 Schaefer ..... D26/85

D445,941 S \* 7/2001 Schaefer ..... D26/85  
D465,872 S \* 11/2002 Cacaci ..... D26/90  
D492,440 S \* 6/2004 Parres ..... D26/85  
D520,670 S \* 5/2006 Wachter ..... D26/142  
D581,087 S \* 11/2008 Sabernig ..... D26/88  
D640,823 S \* 6/2011 Hokazono ..... D26/89  
D655,849 S \* 3/2012 Sabernig ..... D26/85  
D655,855 S \* 3/2012 Sabernig ..... D26/89  
D659,883 S \* 5/2012 Herremans ..... D26/88  
D702,869 S \* 4/2014 Kondou ..... D26/88  
D770,076 S \* 10/2016 Li ..... D26/89  
D779,706 S \* 2/2017 Starck ..... D26/110  
D841,868 S \* 2/2019 Xu ..... D26/89  
D869,735 S \* 12/2019 Babutzka ..... D26/88  
D876,707 S \* 2/2020 Tang ..... D26/110  
D877,393 S \* 3/2020 Yu ..... D26/88  
D889,021 S \* 6/2020 De Silva ..... D26/88  
D889,726 S \* 7/2020 Gismondi ..... D26/88  
D911,585 S \* 2/2021 Anastasiades ..... D26/88  
D936,271 S \* 11/2021 Pardo ..... D26/86

\* cited by examiner

*Primary Examiner* — Natasha Vujcic

(74) *Attorney, Agent, or Firm* — McCormick, Paulding & Huber PLLC

(57) **CLAIM**

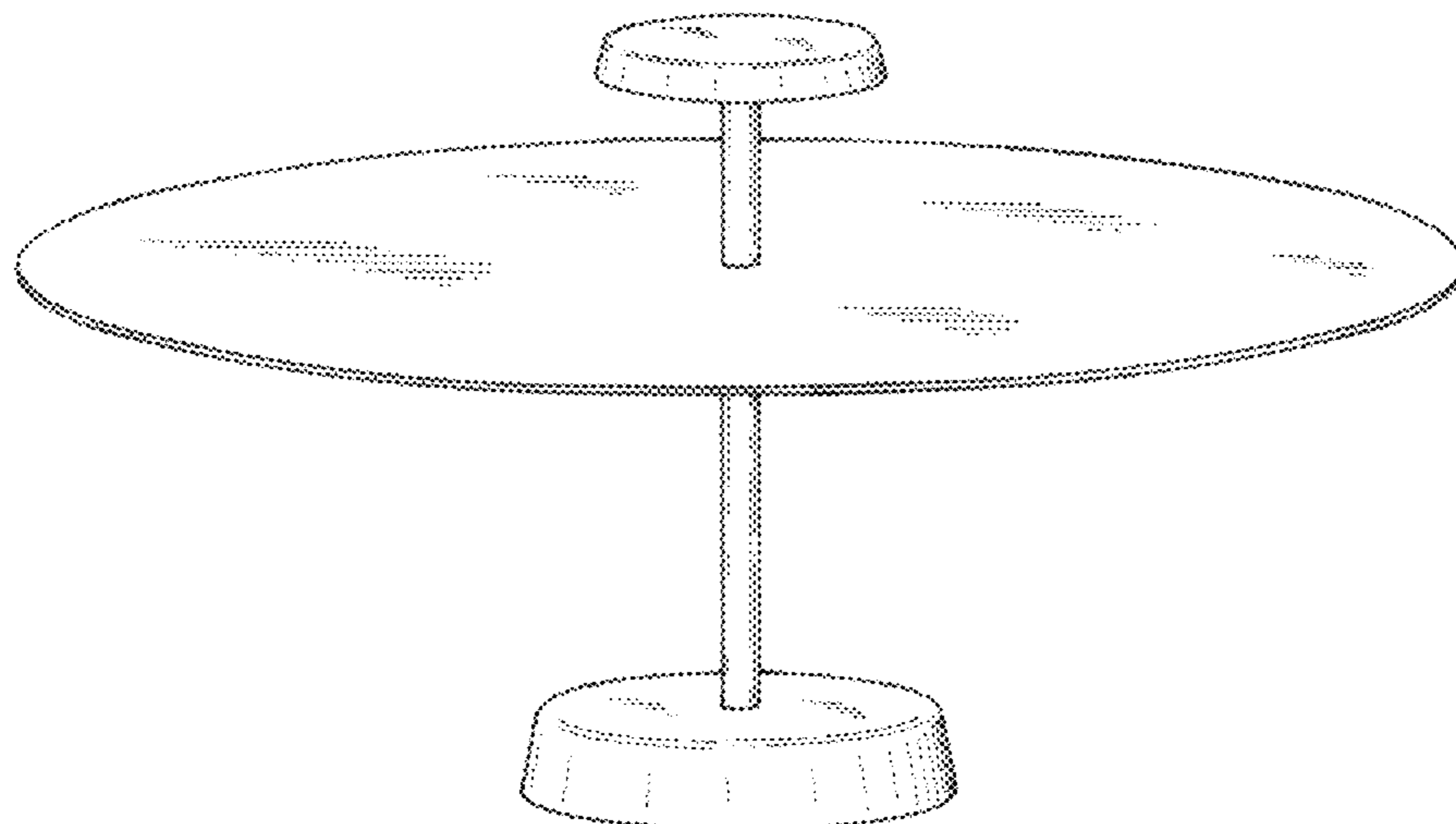
The ornamental design for a lamp, as shown and described.

**DESCRIPTION**

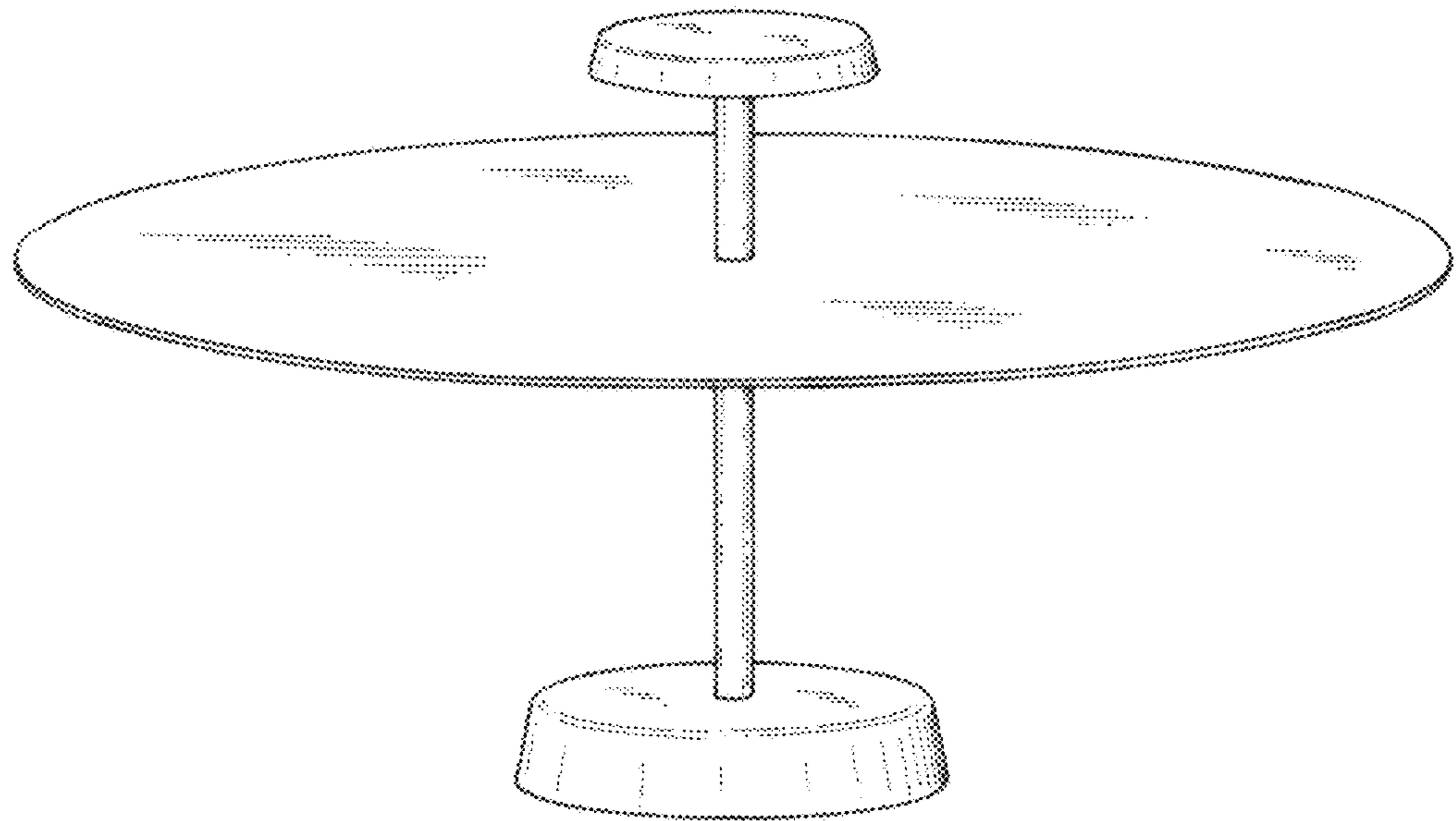
- 1. Lamp
- 1.1 : Perspective
- 1.2 : Perspective
- 1.3 : Front
- 1.4 : Top
- 1.5 : Bottom

The broken lines in the drawings illustrate portions of the lamp which form no part of the claimed design.

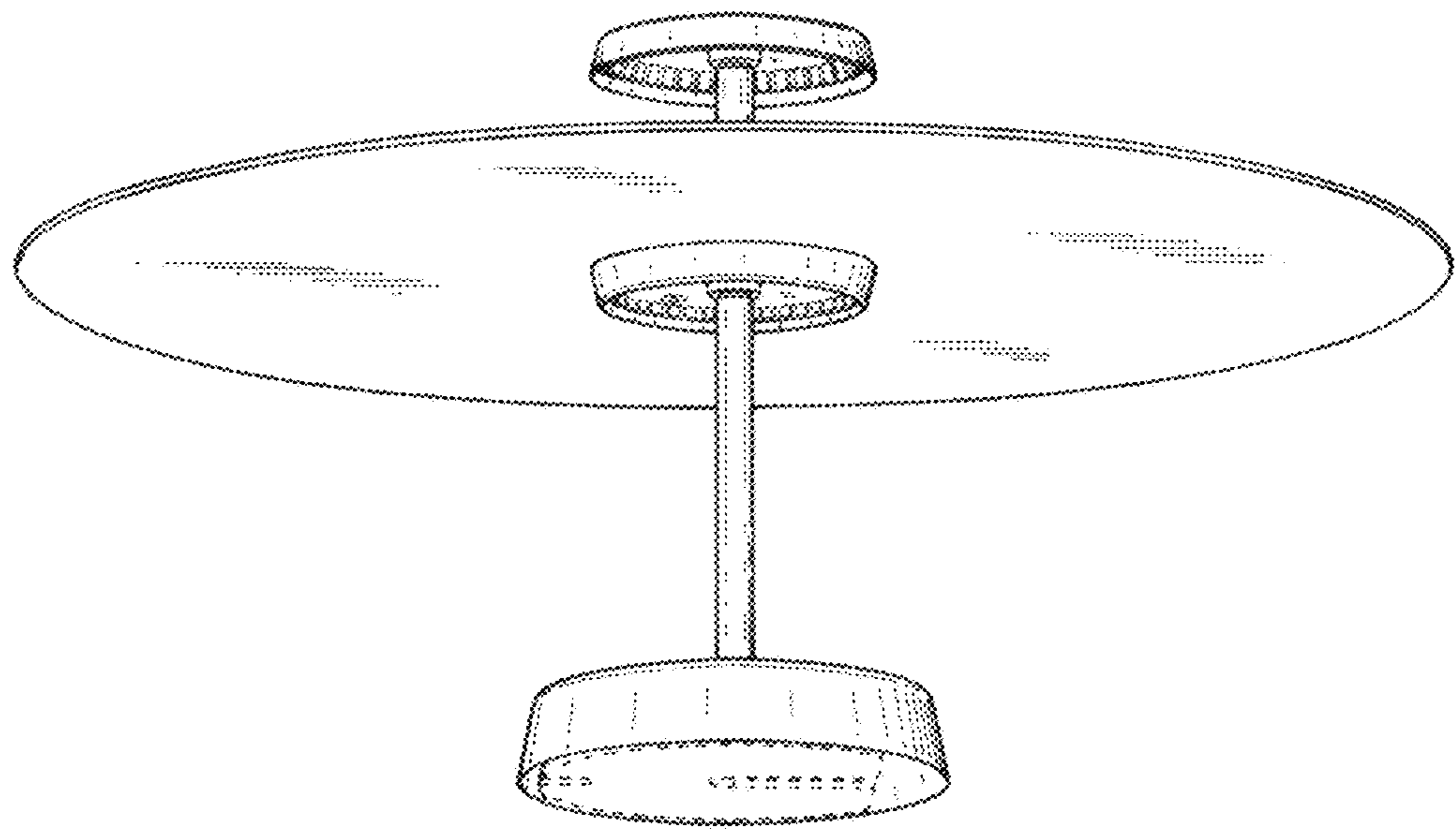
**1 Claim, 5 Drawing Sheets**



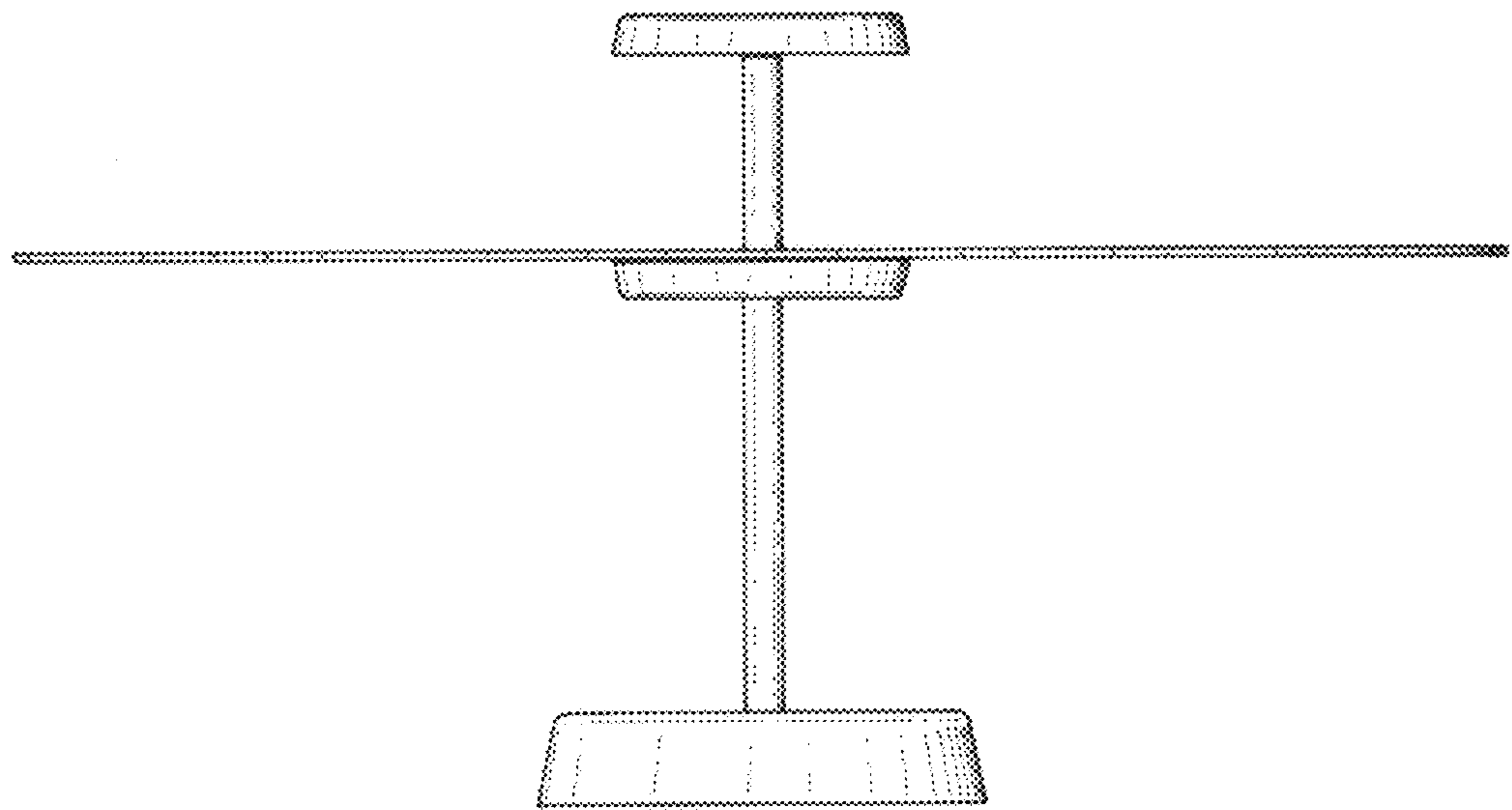
1.1



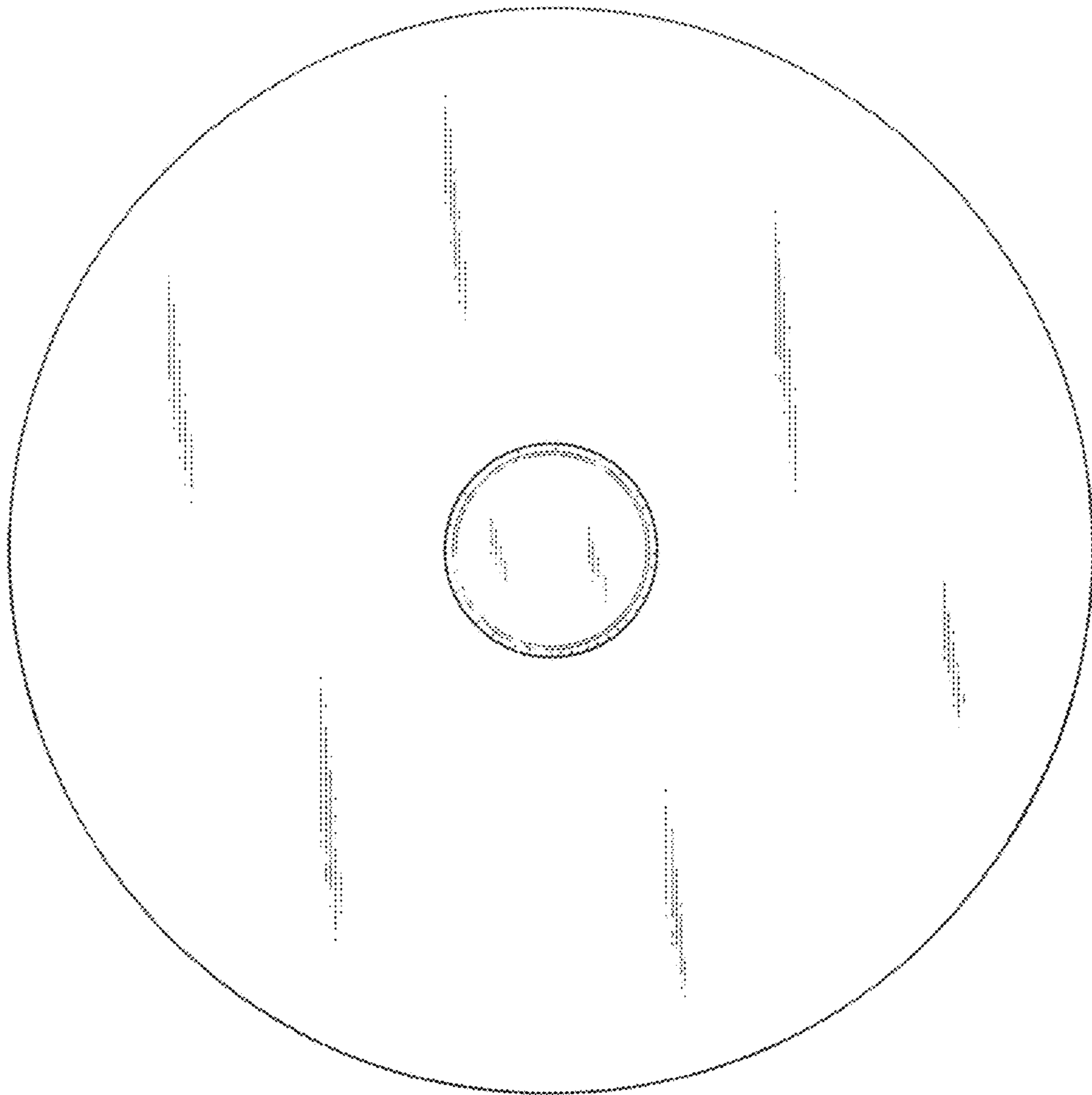
1.2



1.3



1.4



1.5

