



US00D953599S

(12) **United States Design Patent** (10) **Patent No.:** **US D953,599 S**
Jiang (45) **Date of Patent:** **** May 31, 2022**

(54) **LAMP**

(71) Applicant: **Heng Jiang**, Sichuan (CN)

(72) Inventor: **Heng Jiang**, Sichuan (CN)

(**) Term: **15 Years**

(21) Appl. No.: **29/787,041**

(22) Filed: **Jun. 3, 2021**

(51) **LOC (13) Cl.** **26-03**

(52) **U.S. Cl.**
USPC **D26/86**

(58) **Field of Classification Search**
USPC D26/63, 72, 80, 84-88, 92, 118, 128
CPC .. F21S 8/033; F21S 8/035; F21S 8/036; F21S
8/046
See application file for complete search history.

(56) **References Cited**

U.S. PATENT DOCUMENTS

D642,727 S *	8/2011	van den Akker	D26/85
D717,484 S *	11/2014	Rozot	D26/85
D773,102 S *	11/2016	Meise	D26/89
D802,200 S *	11/2017	Sonneman	D26/87
D881,441 S *	4/2020	Van Den Akker	D26/137
D907,275 S *	1/2021	Chen	D26/86
D908,945 S *	1/2021	Zheng	D26/86
D921,254 S	6/2021	Preutz		
D926,349 S *	7/2021	Lin	D26/86
D934,486 S *	10/2021	Ou	D26/80
D945,684 S *	3/2022	Yuan	D26/86
2013/0077295 A1 *	3/2013	Hayashi	F21V 7/04 362/217.05

OTHER PUBLICATIONS

Joosenhouse Modern 4 Light Bathroom Vanity Light Fixture, ASIN: B089SYVMHW. Available from amazon.com Jul. 15, 2020. (Year: 2020).*

Wowatt Bathroom Vanity Light, ASIN: B08MBQJN44. Available from amazon.com Oct. 31, 2020. (Year: 2020).*

Aipsun 6 Lights Modern Chrome LED Vanity Light, ASIN: B094XW7M98. Available from amazon.com May 14, 2021. (Year: 2021).*

* cited by examiner

Primary Examiner — Clare E Heflin

(57) **CLAIM**

The ornamental design for a lamp, as shown and described.

DESCRIPTION

FIG. 1 is a top, rear perspective view of the lamp, showing my new design;

FIG. 2 is a bottom, front perspective view thereof;

FIG. 3 is a top plan view thereof;

FIG. 4 is a bottom plan view thereof;

FIG. 5 is a left side elevation view thereof;

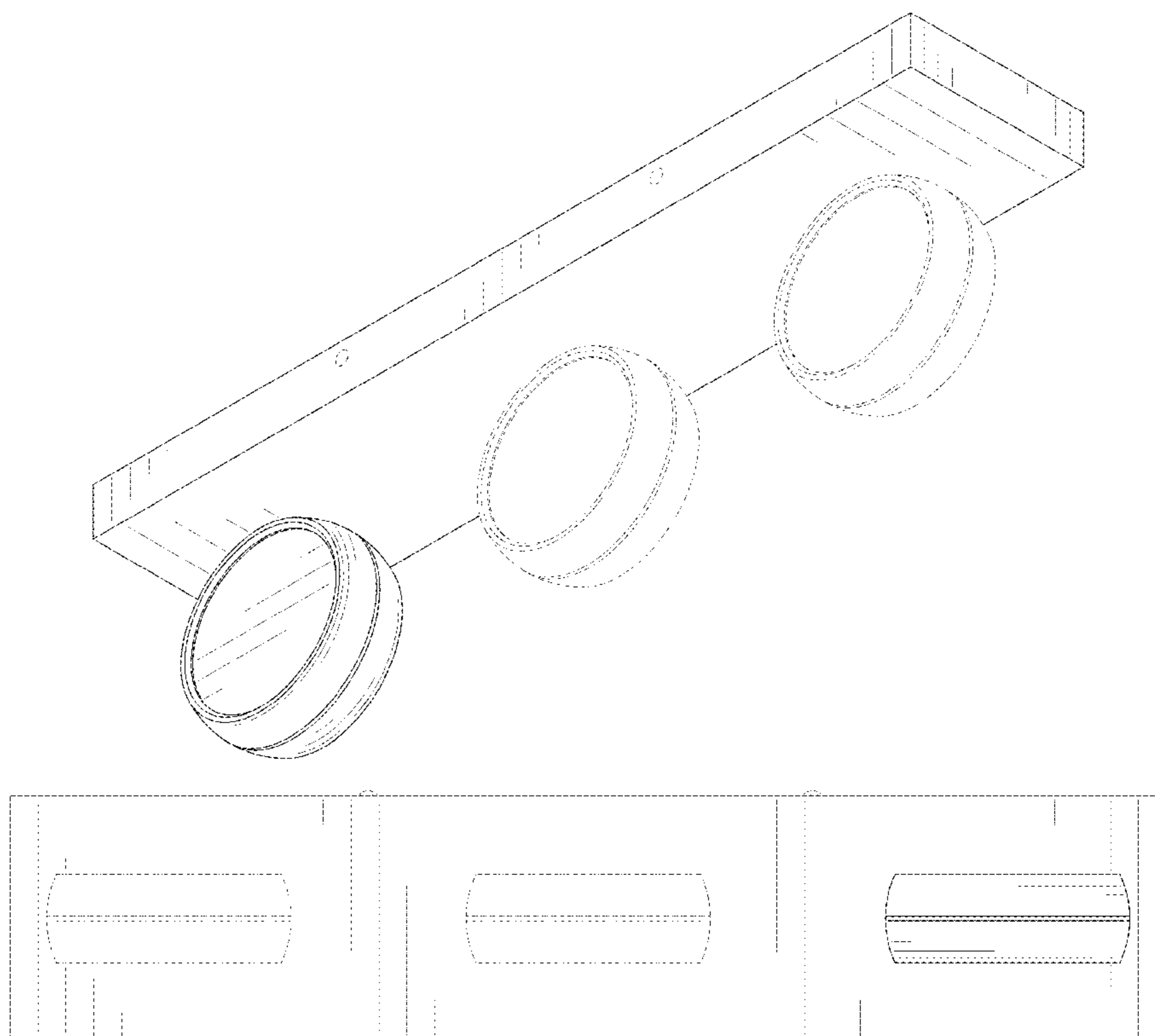
FIG. 6 is a right side elevation view thereof;

FIG. 7 is a rear elevational view thereof; and,

FIG. 8 is a front elevational view thereof.

The broken lines in the figures illustrate portions of the lamp that form no part of the claimed design.

1 Claim, 8 Drawing Sheets



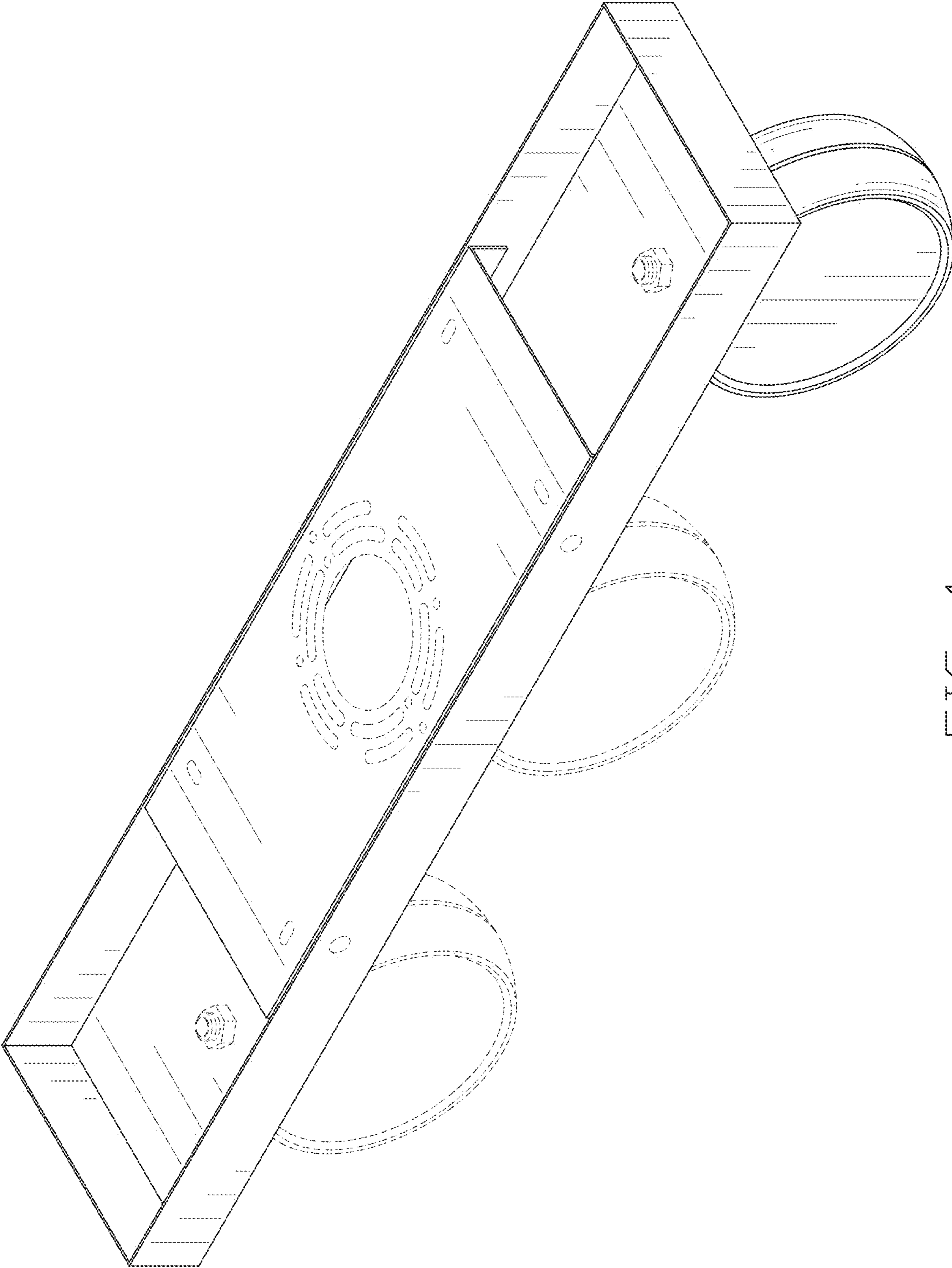


FIG. 1

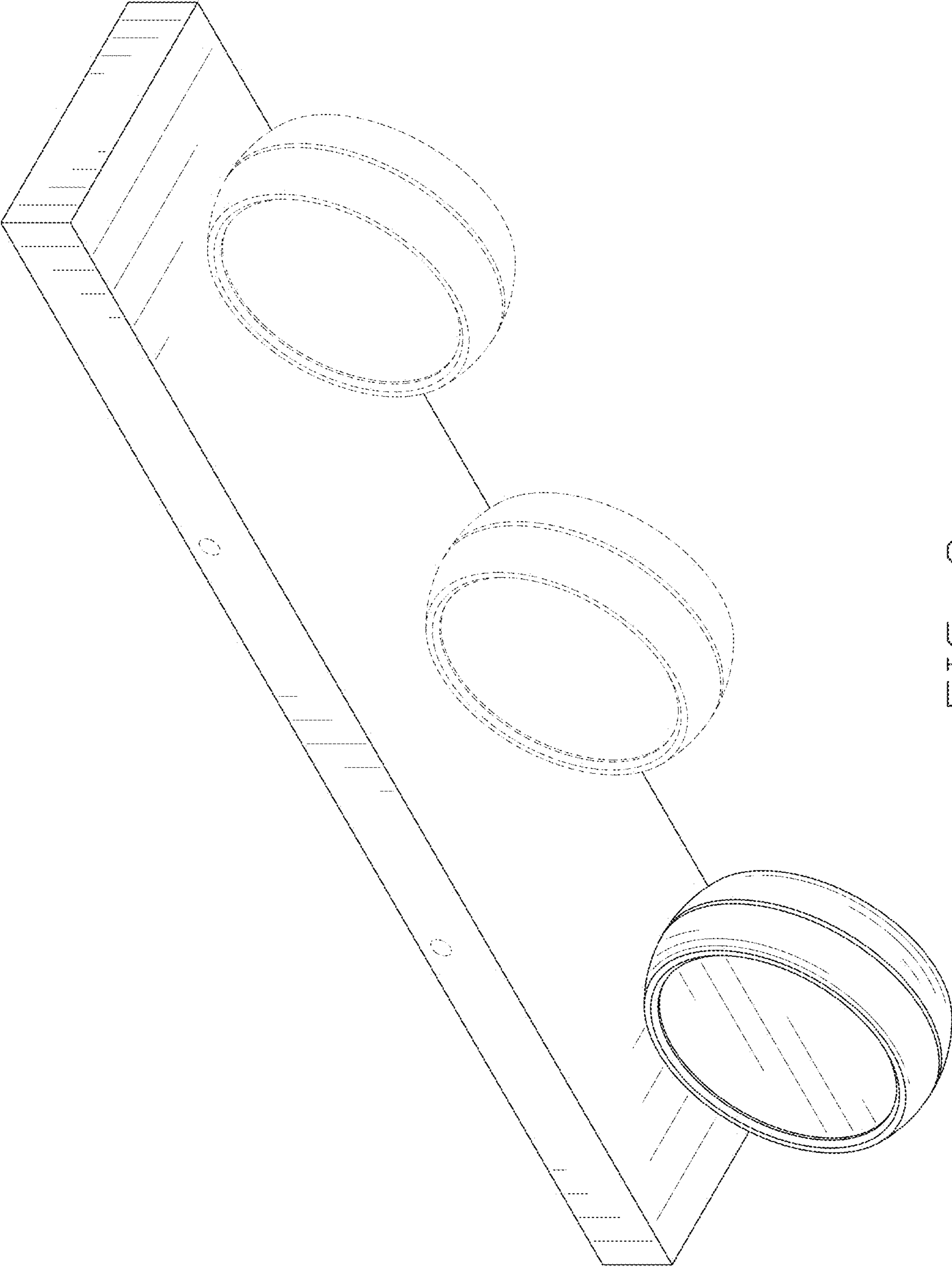


FIG. 2

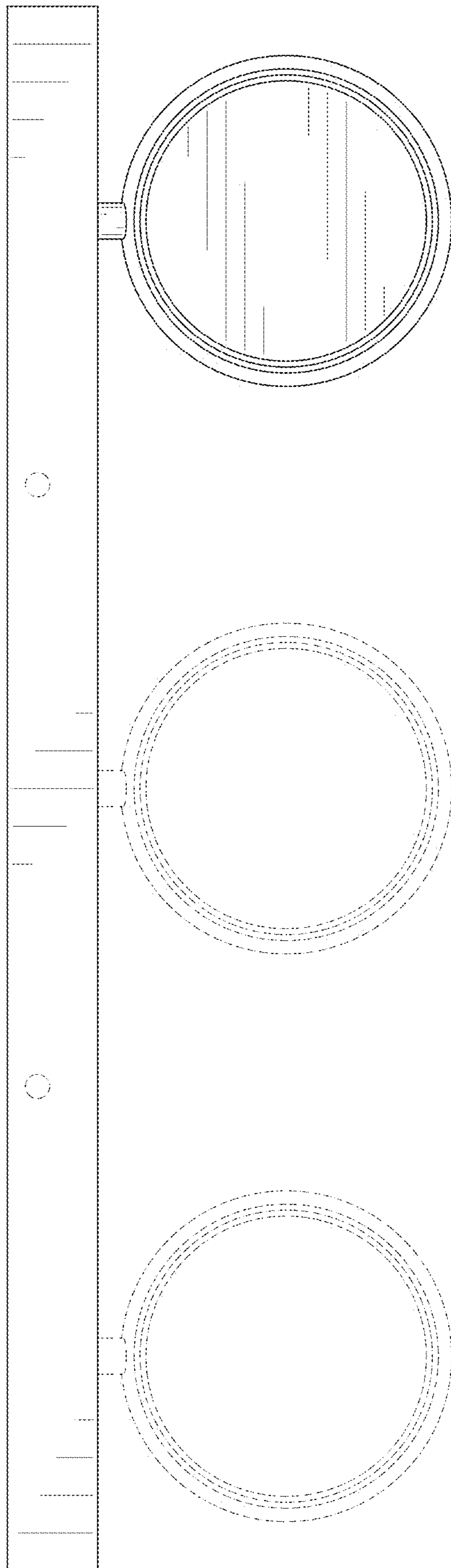


FIG. 3

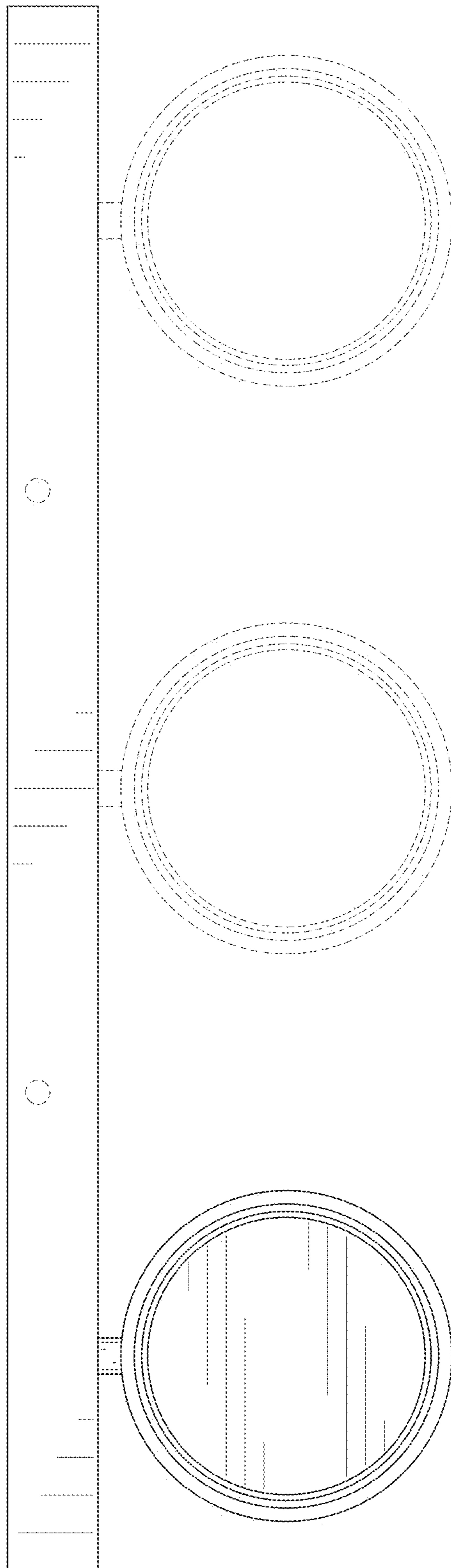


FIG. 4

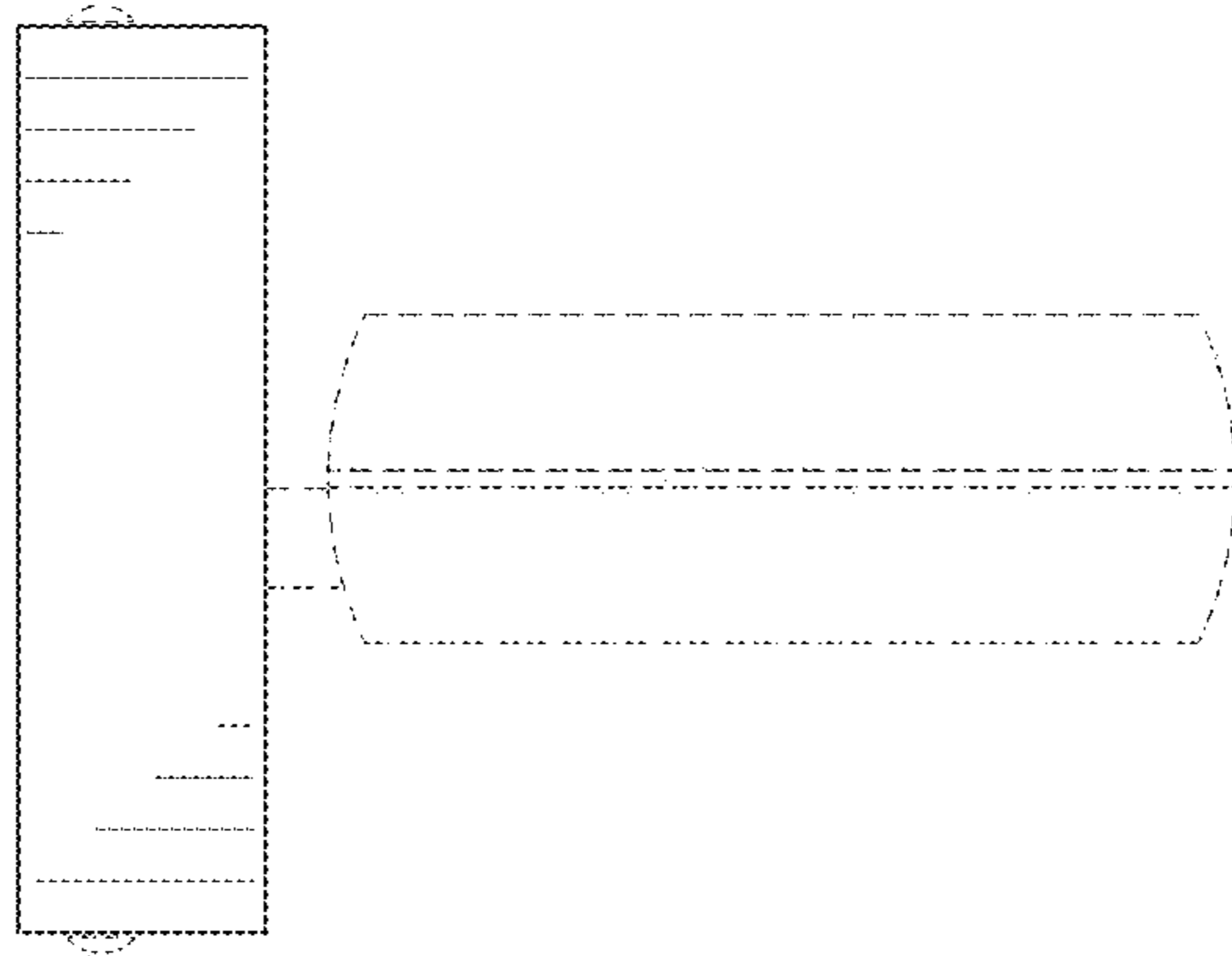


FIG. 5

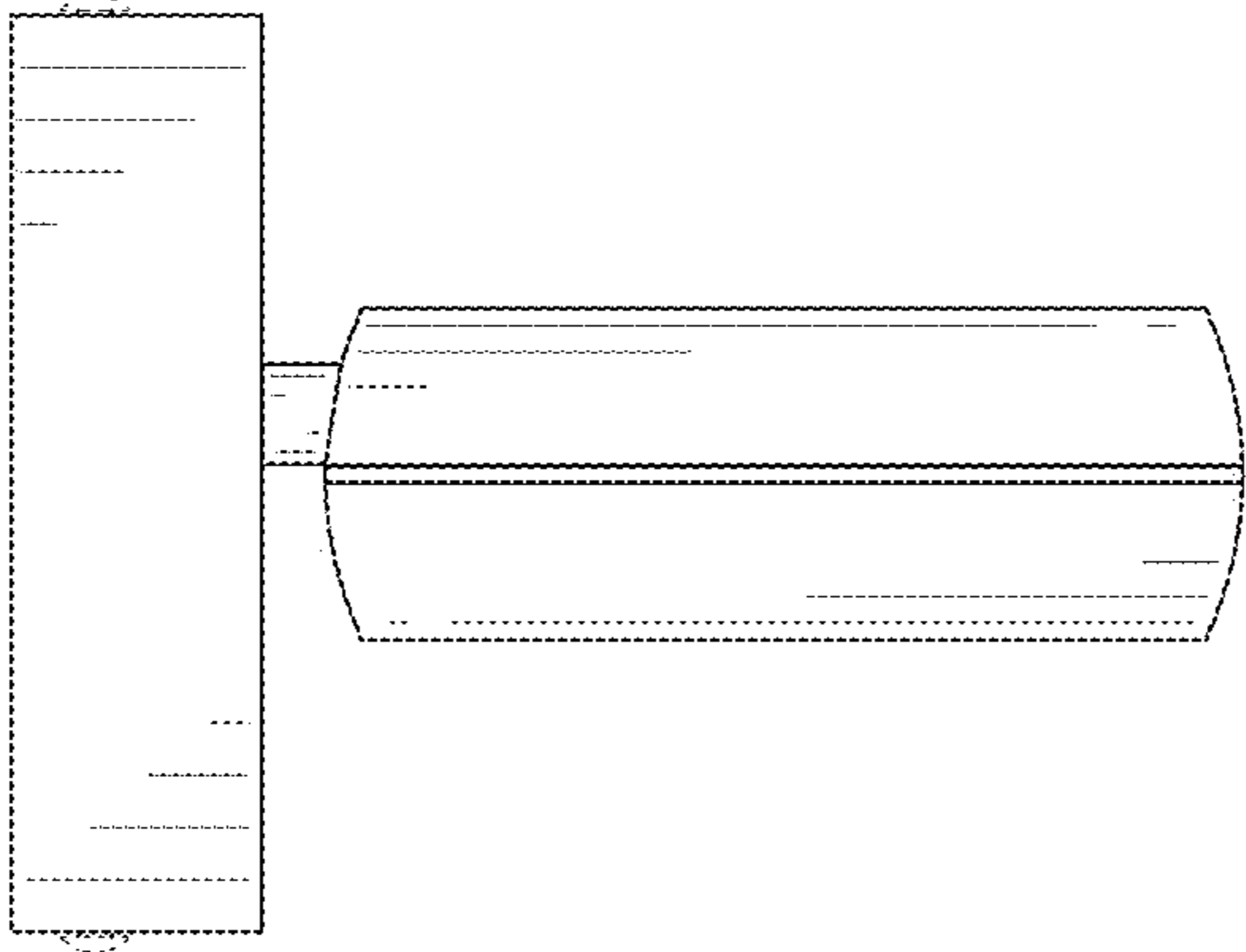


FIG. 6

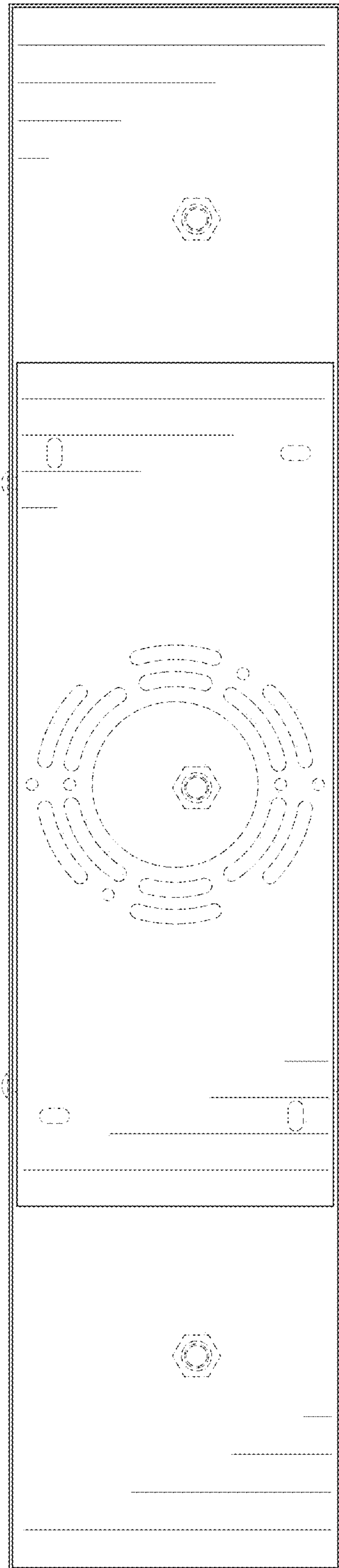


FIG. 7

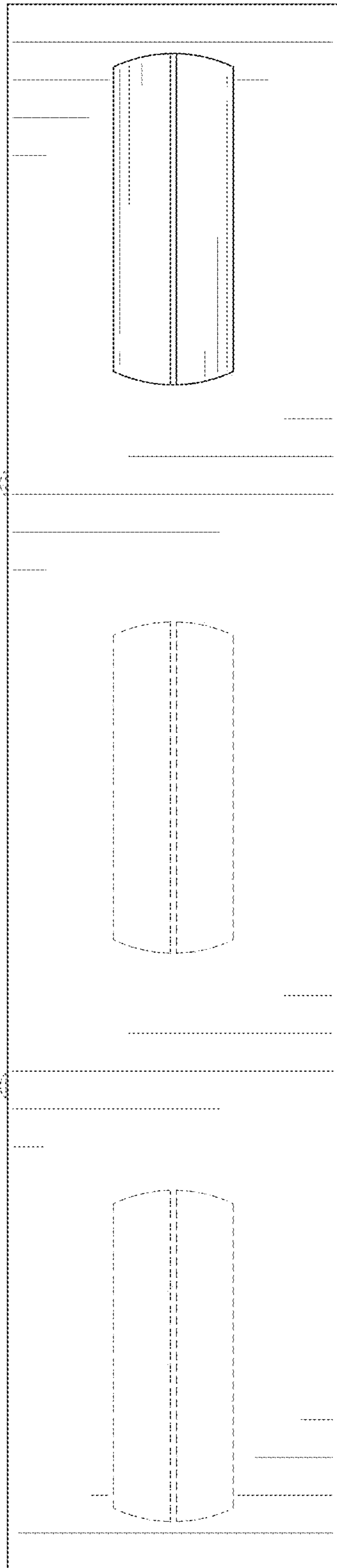


FIG. 8