



US00D953598S

(12) **United States Design Patent**
Zhou

(10) **Patent No.:** **US D953,598 S**

(45) **Date of Patent:** **** May 31, 2022**

(54) **LED CEILING LIGHT**

(71) Applicant: **Shenzhen Ouchang Technology Co., Ltd.**, Guangdong (CN)

(72) Inventor: **Hongjun Zhou**, Guangdong (CN)

(73) Assignee: **Shenzhen Ouchang Technology Co., Ltd.**, Guangdong (CN)

(**) Term: **15 Years**

(21) Appl. No.: **29/784,282**

(22) Filed: **May 19, 2021**

(51) **LOC (13) Cl.** **26-05**

(52) **U.S. Cl.**
USPC **D26/85**

(58) **Field of Classification Search**
USPC D26/28, 72, 74, 83, 85, 89, 124
CPC F21S 8/04; F21S 8/043; F21S 8/046; F21S 8/06; F21S 8/061; F21S 8/063; F21S 8/065

See application file for complete search history.

(56) **References Cited**

U.S. PATENT DOCUMENTS

D371,857 S *	7/1996	Gismondi	D26/37
D482,484 S *	11/2003	Benghozi	D26/85
D493,246 S *	7/2004	Benensohn	D26/89
D498,871 S *	11/2004	Benensohn	D26/89
D501,573 S *	2/2005	Benensohn	D26/89
D571,034 S *	6/2008	Goetz-Schaefer	D26/85
D585,580 S *	1/2009	Riffel	D26/85
D607,600 S *	1/2010	Keith	D26/104
D633,231 S *	2/2011	Morrison	D26/24
D633,645 S *	3/2011	Verelst	D26/89
D647,227 S *	10/2011	Kaule	D26/24
D663,880 S *	7/2012	Janssen	D26/74
D694,463 S *	11/2013	Sieczkowski	D26/124
D702,867 S *	4/2014	Kim	
D729,970 S *	5/2015	Jepson	D26/89

D770,673 S *	11/2016	Hasan	D26/138
D806,254 S *	12/2017	Im	D24/186
D828,944 S *	9/2018	Xie	D26/74
D852,402 S	6/2019	Zhu	
D890,411 S *	7/2020	Bai	D26/138
D899,107 S *	10/2020	Luo	D6/309
D921,276 S *	6/2021	Yu	D26/89
11,169,319 B2 *	11/2021	Li	G02B 6/0073

(Continued)

OTHER PUBLICATIONS

Facon, LED RV Interior Light with Push Switch. First available Mar. 31, 2017. Searched on Apr. 5, 2022. [<https://www.amazon.com/Facon-Dimmable-Cabinet-280Lumens-Nature/dp/B06XYZLVQL>] (Year: 2017).*

(Continued)

Primary Examiner — Samantha Q Lawrence

Assistant Examiner — Melissa Adriane Santos

(74) *Attorney, Agent, or Firm* — ScienBiziP, P.C.

(57) **CLAIM**

The ornamental design for a LED ceiling light, as shown and described.

DESCRIPTION

FIG. 1 is a front, right, and top perspective view of a LED ceiling light, showing my design.

FIG. 2 is a rear, left, and bottom perspective view thereof.

FIG. 3 is a front elevation view thereof.

FIG. 4 is a rear elevation view thereof.

FIG. 5 is a left side elevation view thereof.

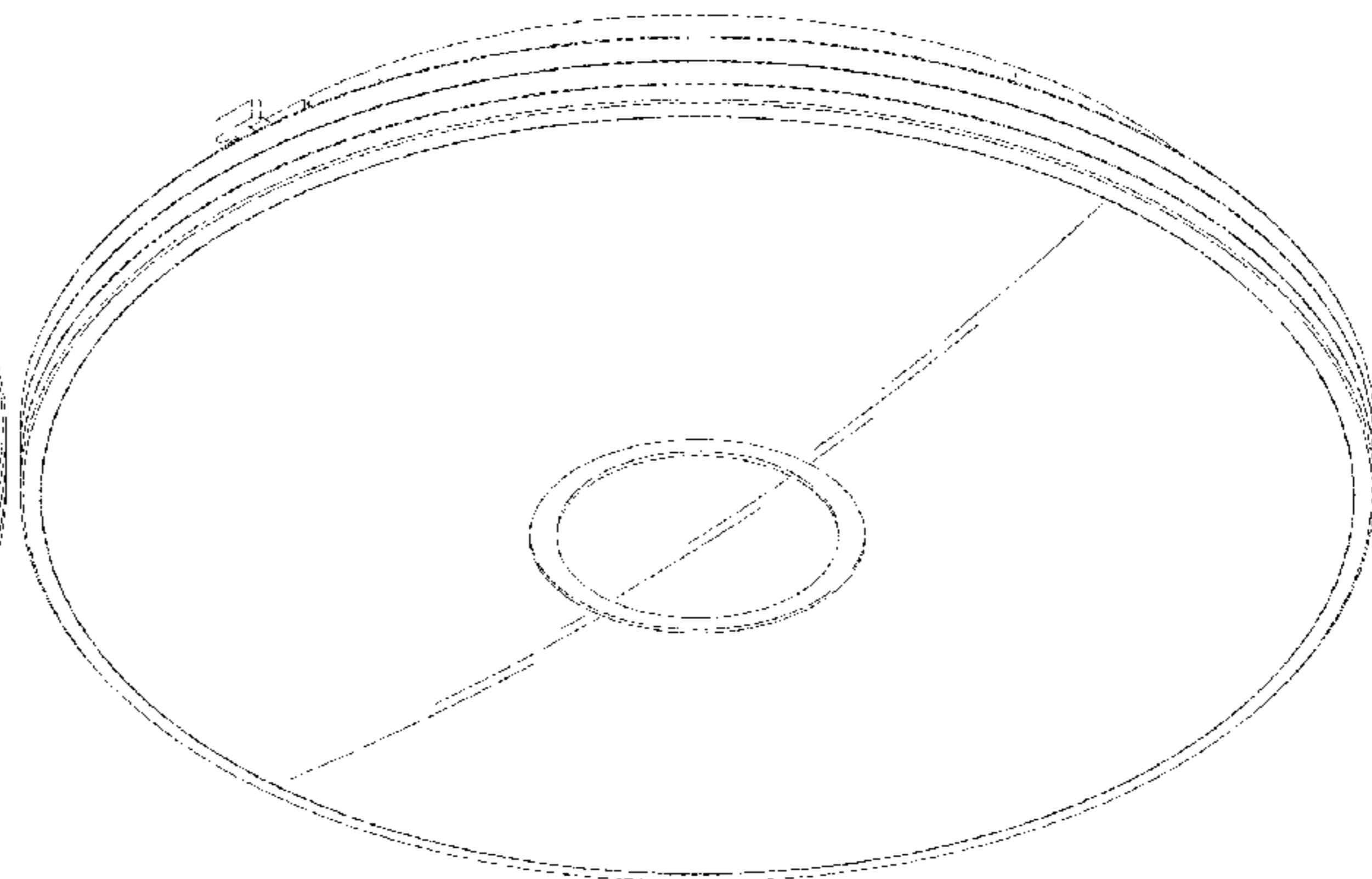
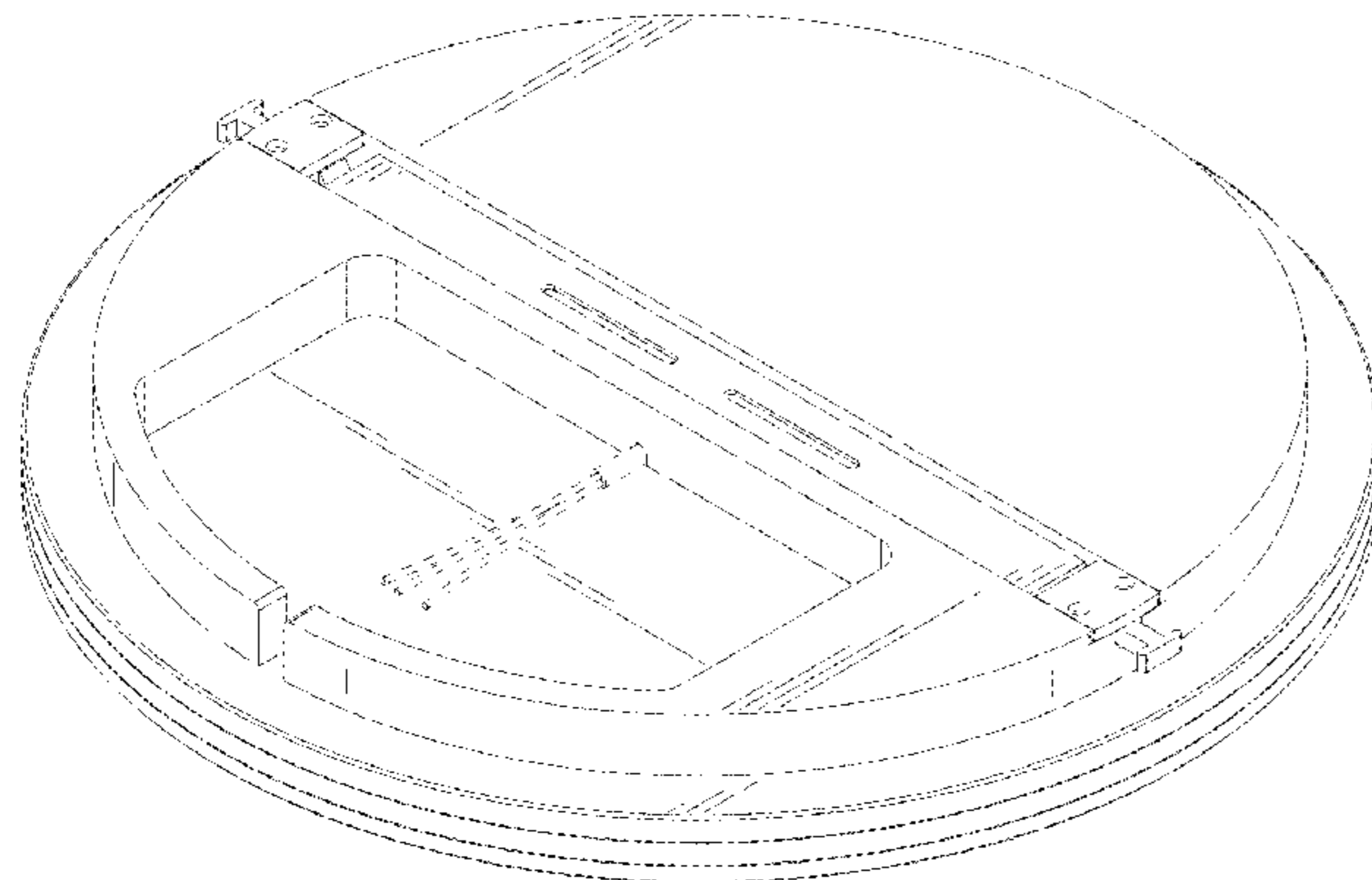
FIG. 6 is a right side elevation view thereof.

FIG. 7 is a top plan view thereof; and,

FIG. 8 is a bottom plan view thereof.

The broken lines shown in the drawings are included for the purpose of illustrating portions of the LED ceiling light that form no part of the claimed design.

1 Claim, 8 Drawing Sheets



(56)

References Cited

U.S. PATENT DOCUMENTS

2008/0192489 A1* 8/2008 Ward F21S 8/04
362/364
2018/0073688 A1* 3/2018 Xu F21K 9/68
2018/0356057 A1* 12/2018 Xu F21V 17/164
2021/0215325 A1* 7/2021 Luo H01R 13/73
2021/0262625 A1* 8/2021 Peng F21S 8/03
2022/0003390 A1* 1/2022 Qiao F21V 23/005

OTHER PUBLICATIONS

Dream Lighting, LED RV Dome Light with Switch. First available Nov. 10, 2014. Searched on Apr. 5, 2022. [www.amazon.com/Dream-Lighting-LED-Cabin-Fixture/dp/B00PF6LAF8/] (Year: 2014).*

Thalassa, Interior Ceiling Light with Dimmer Switch. First available Feb. 7, 2018. Searched on Apr. 5, 2022. [<https://www.amazon.com/Genuine-Marine-Dimmer-Switch-Waterproof/dp/B079N3K224/>] (Year: 2018).*

Hanna Trailer Supply, Flushmount Interior RV LED Light with Switch. First available unknown. Searched on Apr. 5, 2022. [<https://www.hannarv.com/P/33583/FlushMountInteriorRVLEDLightsInchRound4Pack>] (Year: 2022).*

* cited by examiner

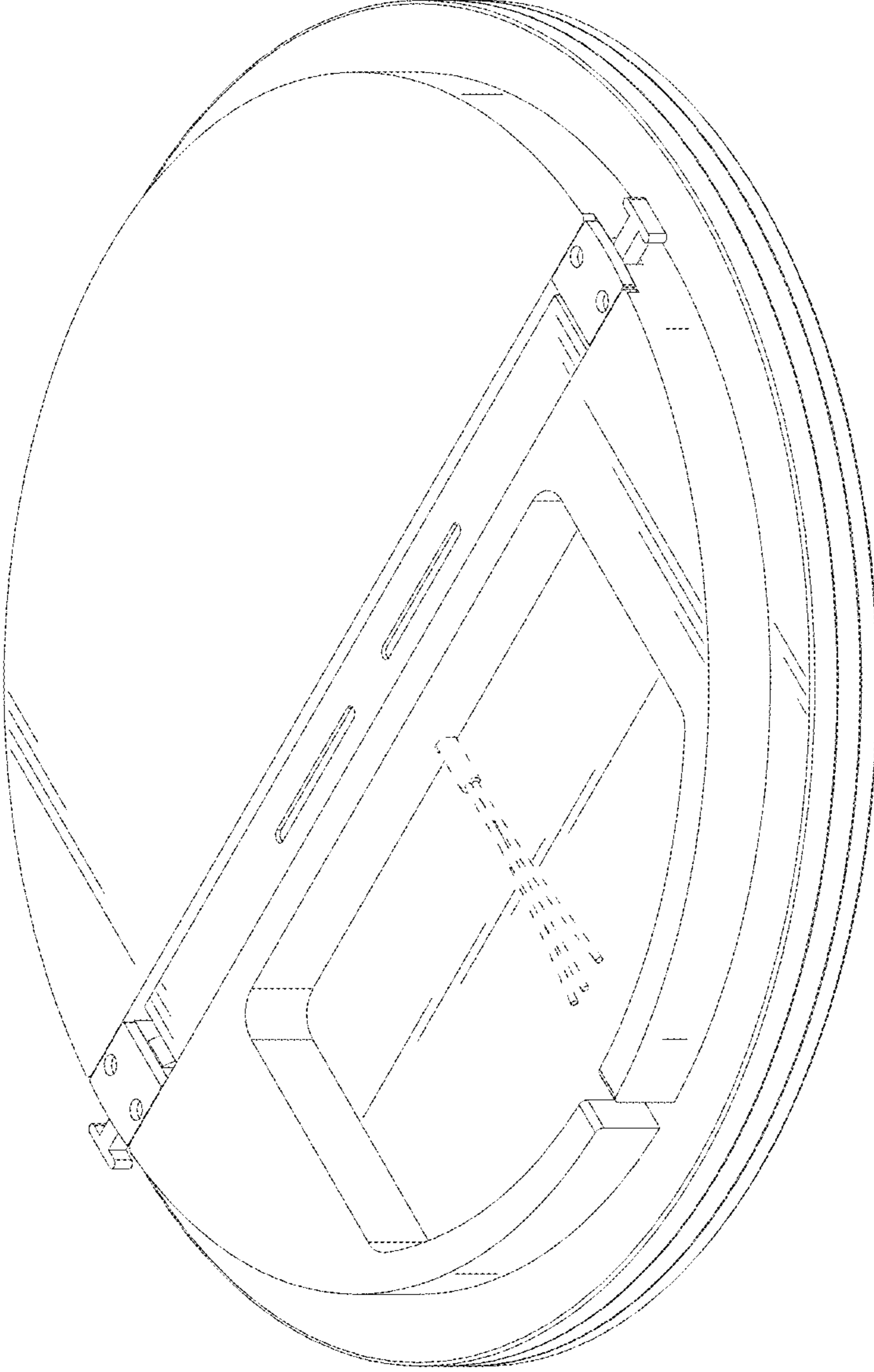


FIG. 1

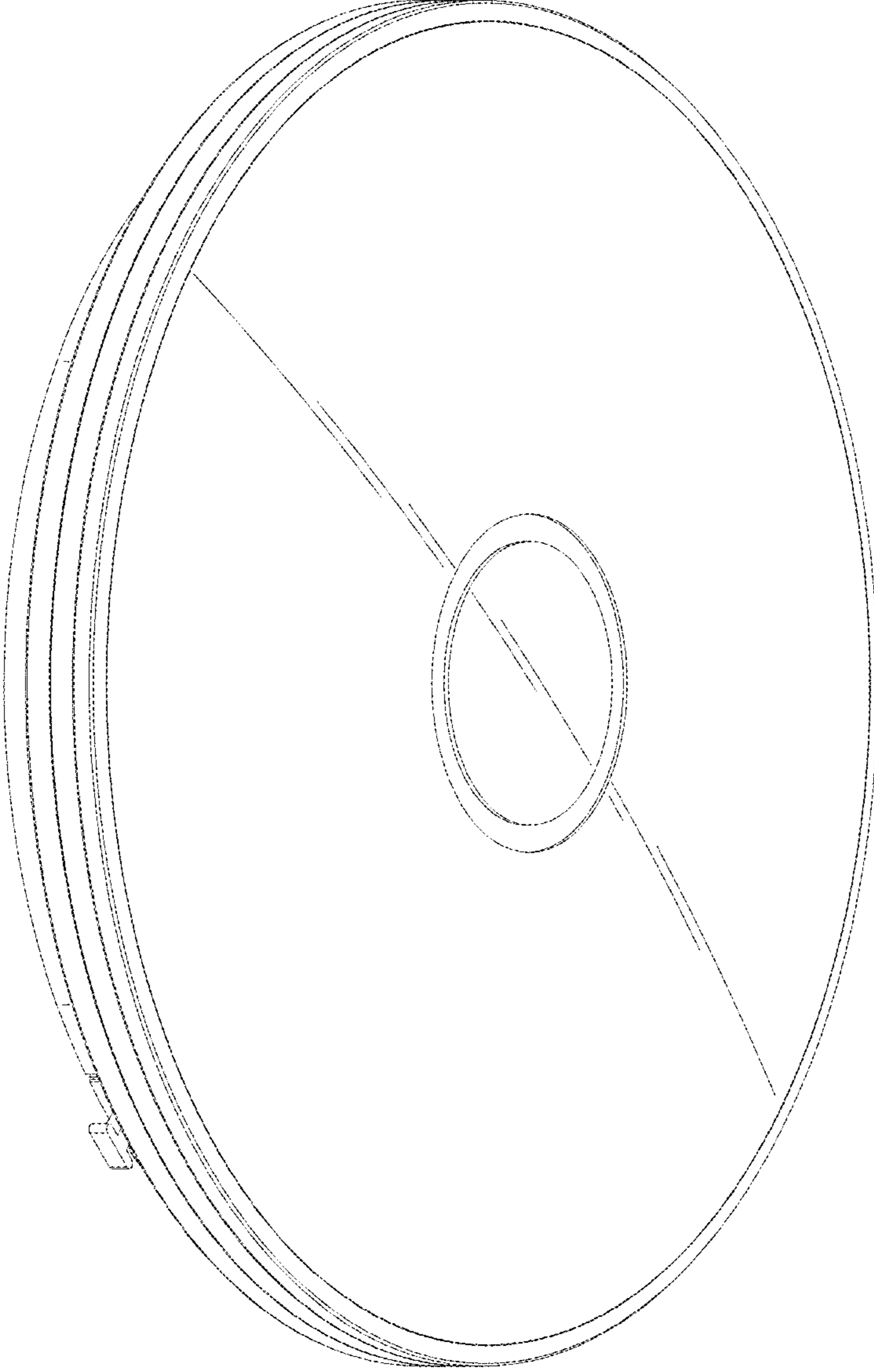


FIG. 2

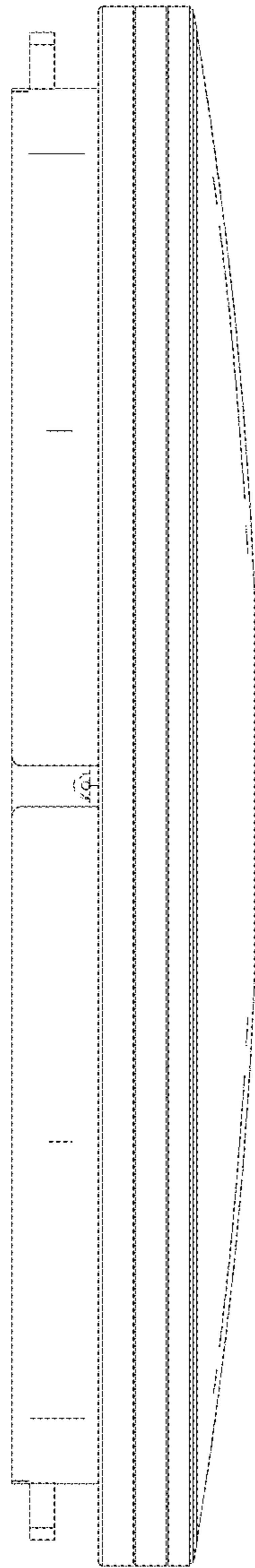


FIG. 3

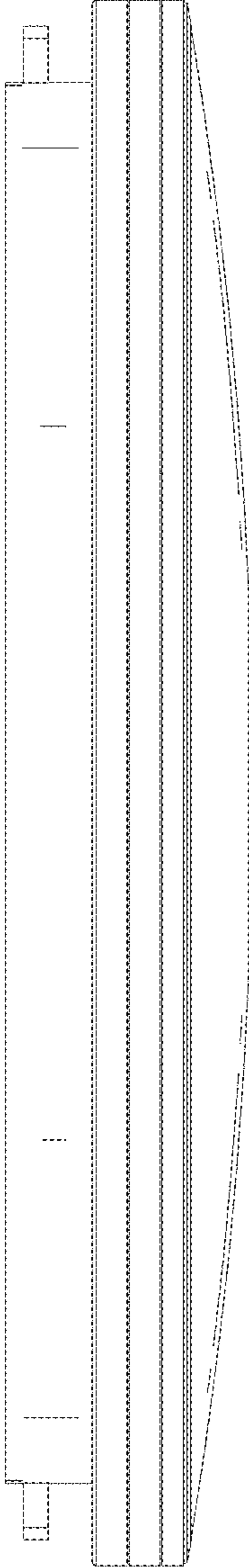


FIG. 4

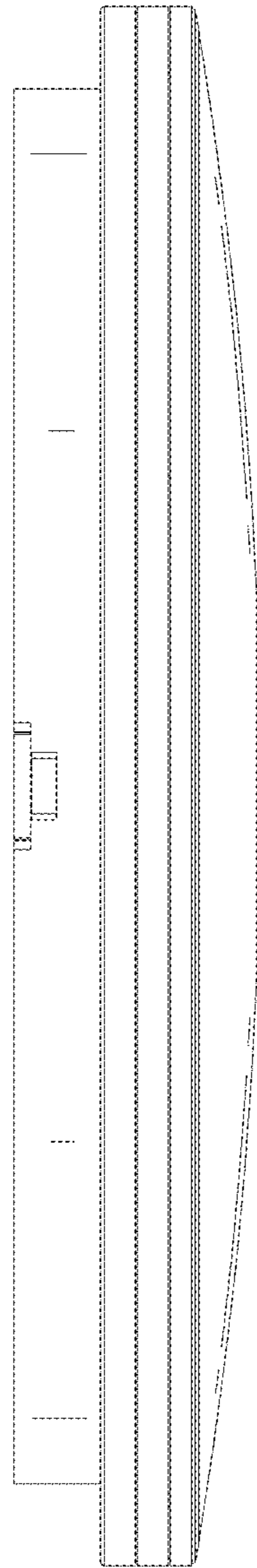


FIG.5

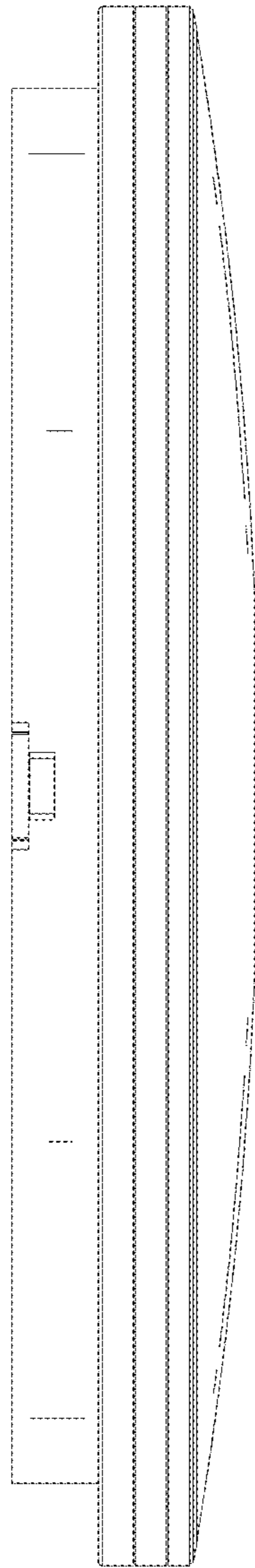


FIG.6

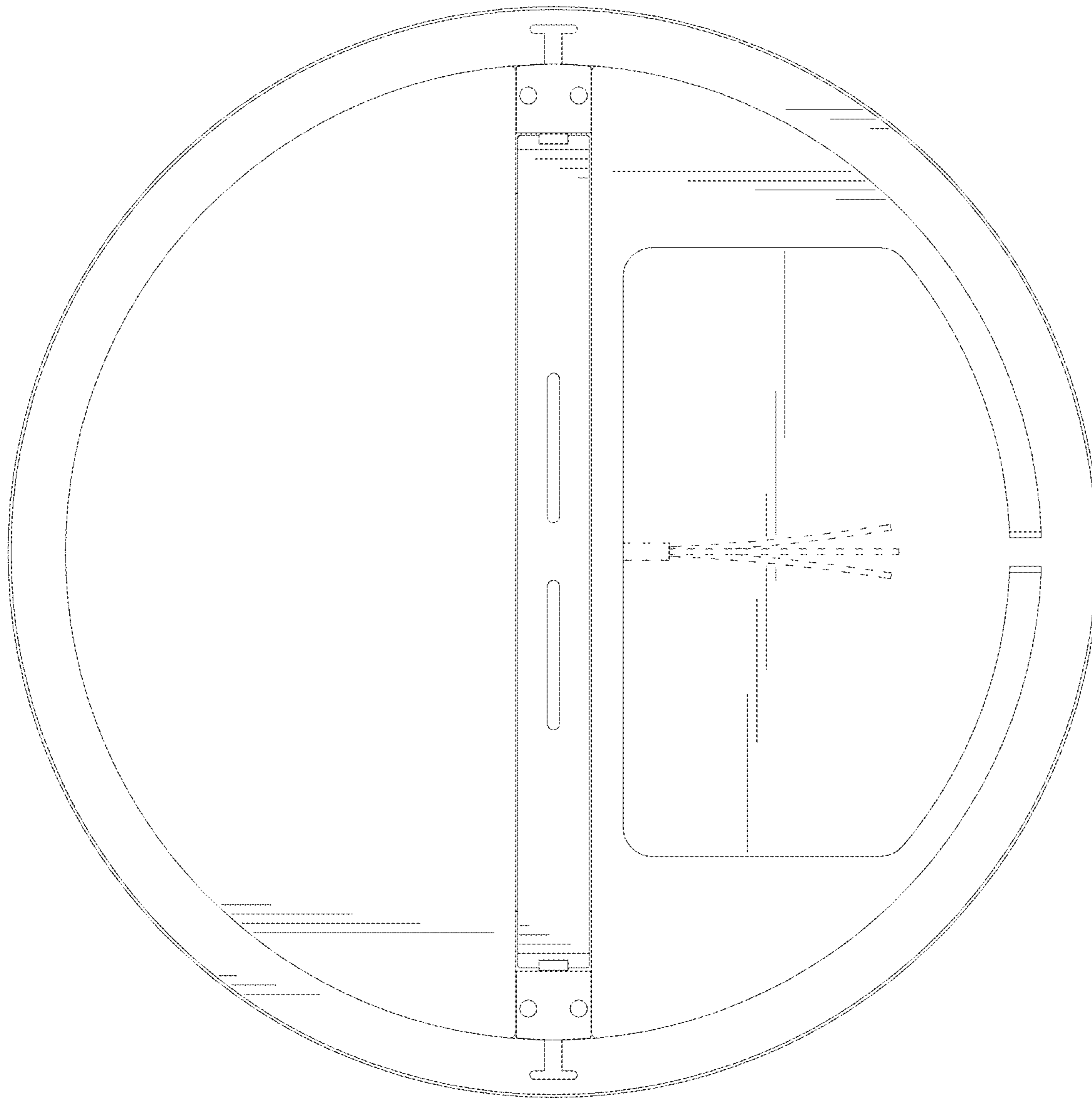


FIG. 7

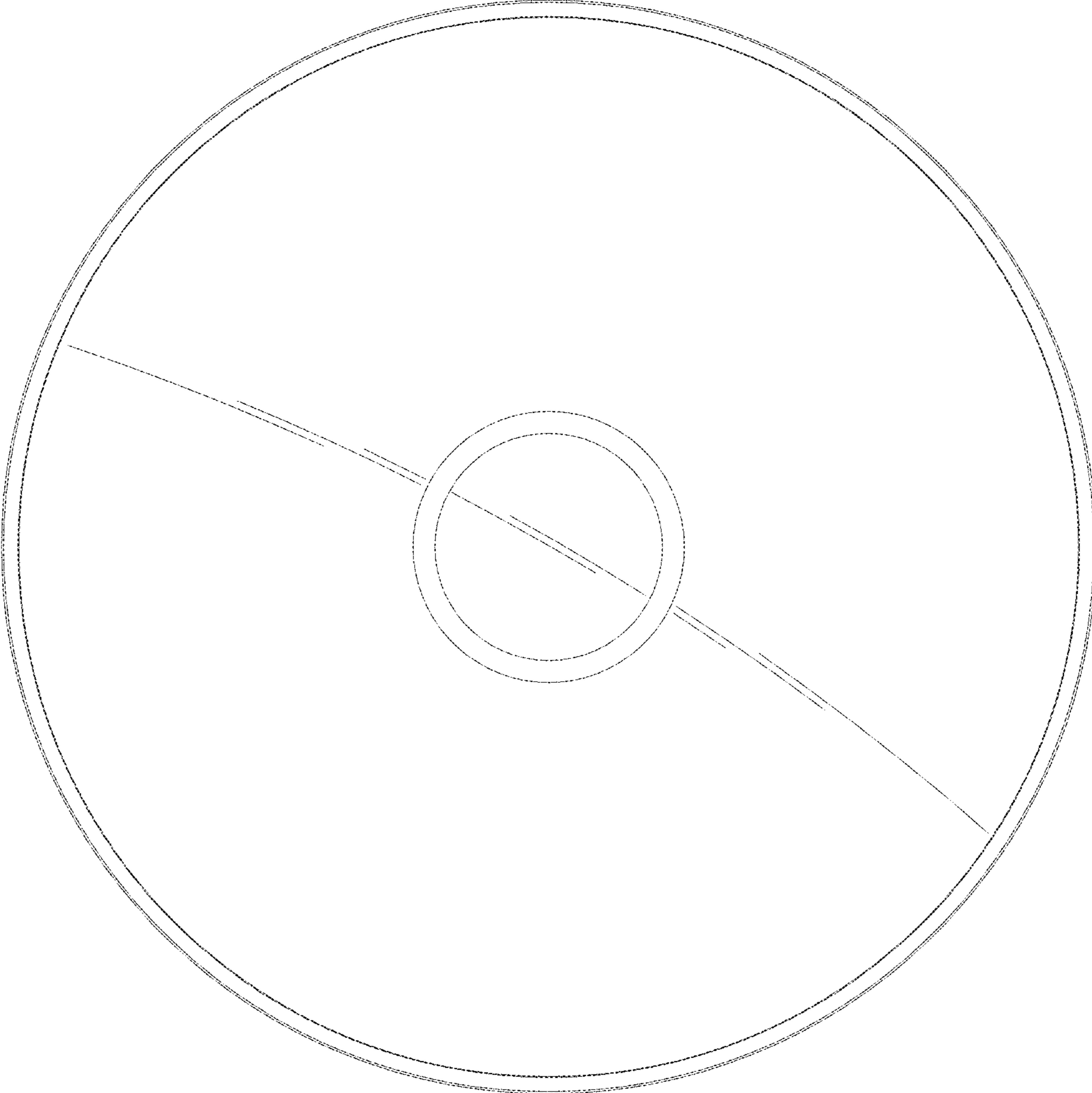


FIG. 8