



US00D953597S

(12) **United States Design Patent** (10) **Patent No.:** **US D953,597 S**
Herkner (45) **Date of Patent:** **** May 31, 2022**

(54) **LAMP**

(71) Applicant: **VIBIA LIGHTING, S.L.U.**, Gavà (ES)

(72) Inventor: **Sebastian Herkner**, Offenbach am Main (DE)

(73) Assignee: **VIBIA LIGHTING, S.L.U.**, Gavà (ES)

(**) Term: **15 Years**

(21) Appl. No.: **35/511,196**

(22) Filed: **Oct. 6, 2020**

(80) **Hague Agreement Data**

Int. Filing Date: **Oct. 6, 2020**

Int. Reg. No.: **DM/212128**

Int. Reg. Date: **Oct. 6, 2020**

Int. Reg. Pub. Date: **Jan. 22, 2021**

(30) **Foreign Application Priority Data**

Apr. 6, 2020 (EM) 007792239-0020

(51) **LOC (13) Cl.** **26-04**

(52) **U.S. Cl.**
USPC **D26/76**

(58) **Field of Classification Search**
USPC D26/72, 74, 76, 78-83, 85, 86, 88, 90,
D26/93, 111, 113, 118-122, 138, 139,
D26/140, 141, 142, 152
CPC F21S 2/00; F21S 4/00; F21S 4/003; F21S
4/005; F21S 4/006; F21S 4/007; F21S
4/008; F21S 6/00; F21S 8/00; F21S
8/024; F21S 8/026; F21S 8/031; F21S
8/033; F21S 8/035-037; F21S 8/04; F21S
8/043; F21S 8/063

See application file for complete search history.

(56) **References Cited**

U.S. PATENT DOCUMENTS

D505,221 S *	5/2005	Hetfield	D26/76
D604,001 S *	11/2009	Thun	D26/76
D610,736 S *	2/2010	Klaus	D26/76
D616,138 S *	5/2010	Lasthein	D26/76
D704,878 S *	5/2014	Wilson	D26/76
D819,250 S *	5/2018	Ji	D26/76
D842,525 S *	3/2019	Yifan	D26/76
D846,179 S *	4/2019	Garrett	D26/90
D853,012 S *	7/2019	Zhou	D26/76
D893,791 S *	8/2020	Lin	D26/63
D903,178 S *	11/2020	Porciatti	D26/76
D912,879 S *	3/2021	Hu	D26/85
D917,768 S *	4/2021	Chen	D26/87

* cited by examiner

Primary Examiner — Natasha Vujcic

(74) *Attorney, Agent, or Firm* — McCormick, Paulding & Huber PLLC

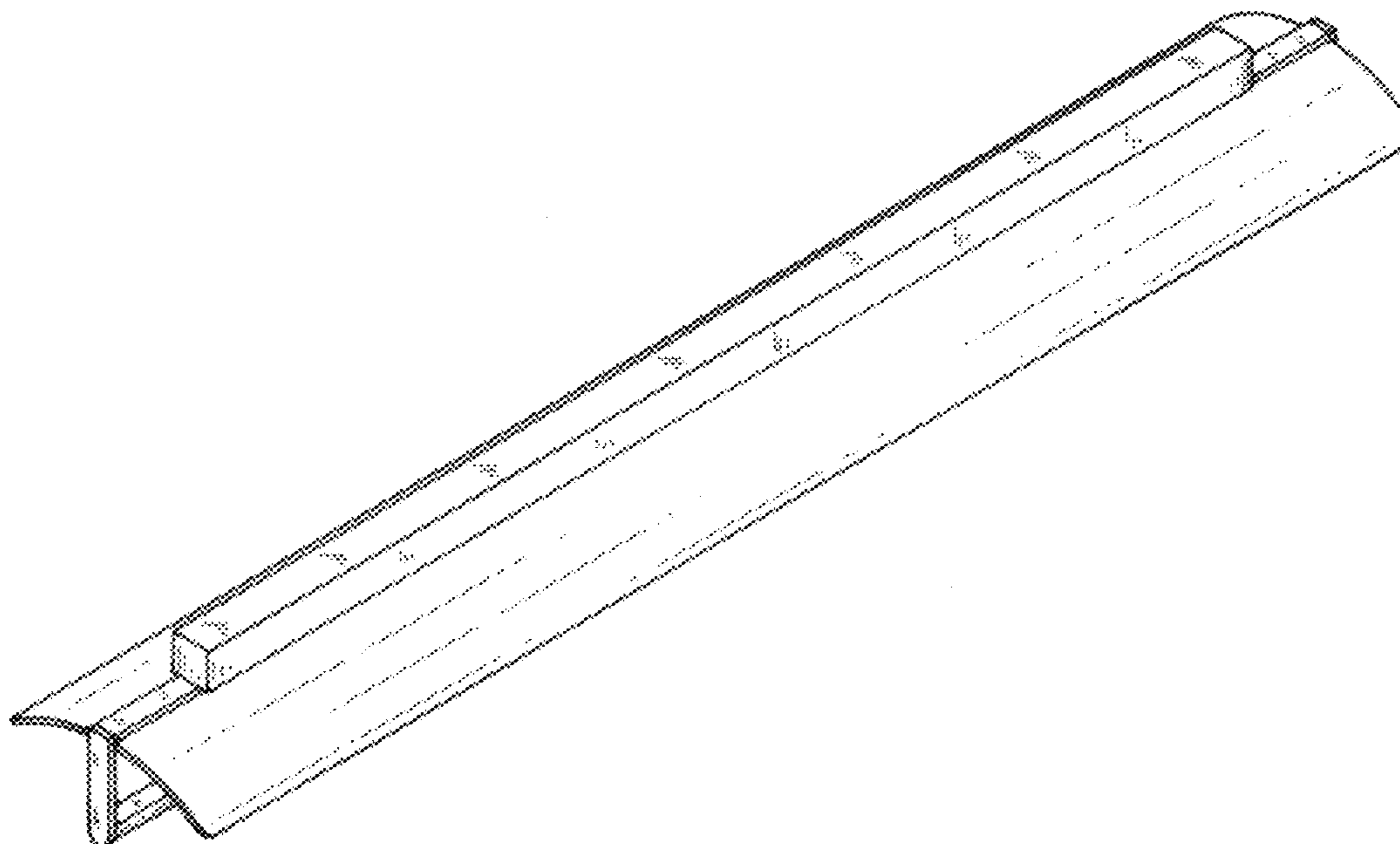
(57) **CLAIM**

The ornamental design for a lamp, as shown and described.

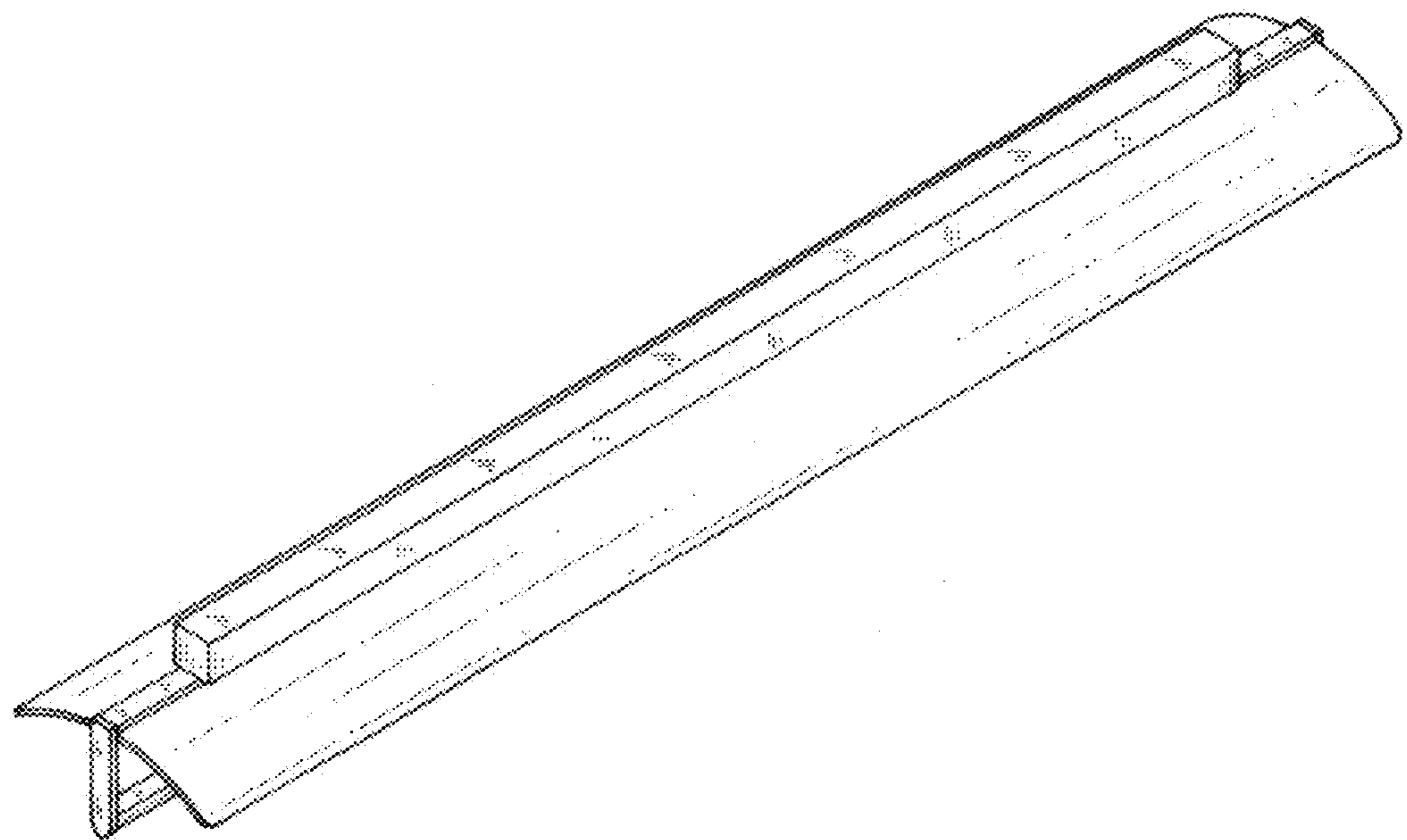
DESCRIPTION

- 1. Lamp
- 1.1 : Perspective
- 1.2 : Perspective
- 1.3 : Left
- 1.4 : Front
- 1.5 : Bottom
- 1.6 : Top

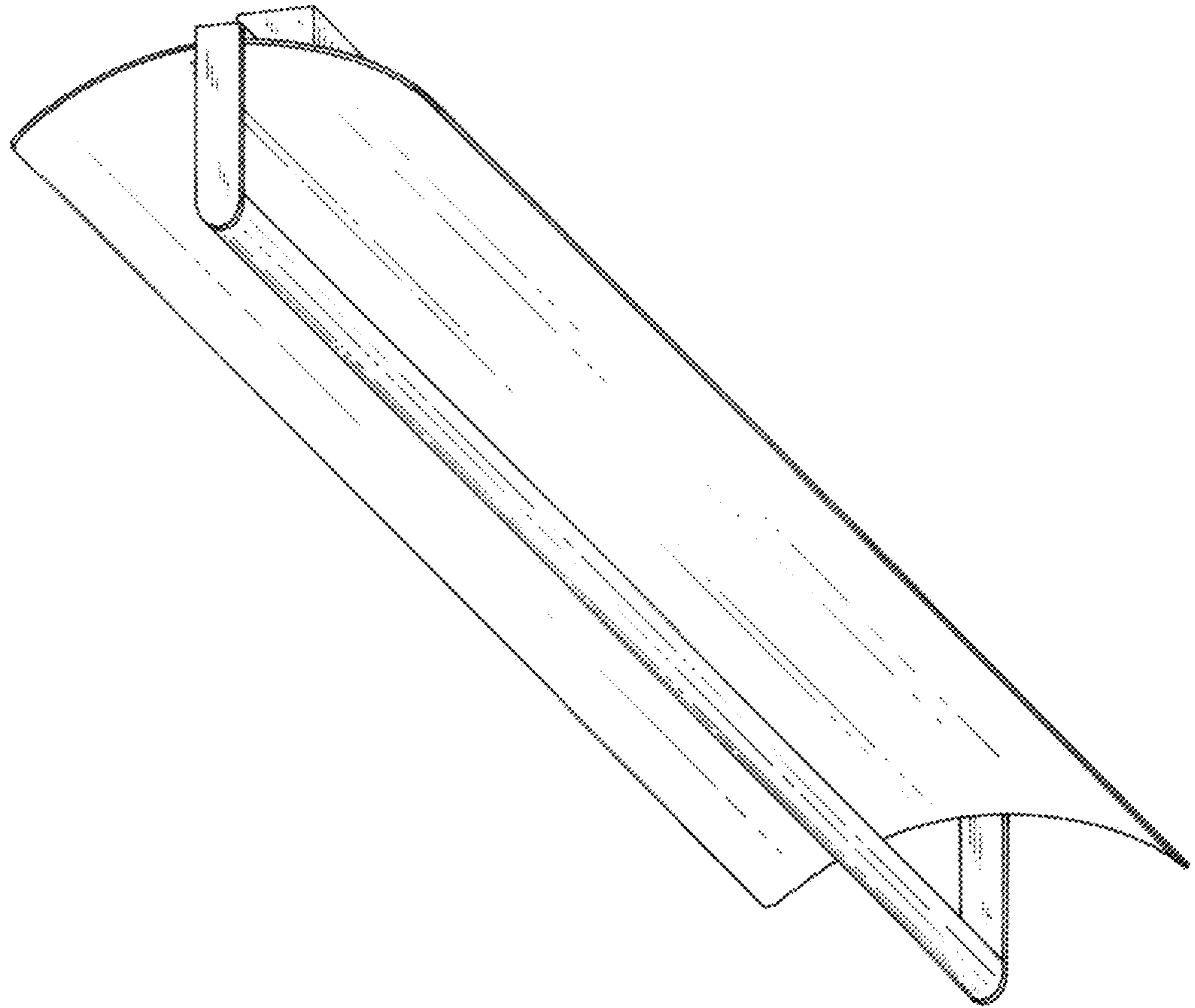
1 Claim, 6 Drawing Sheets



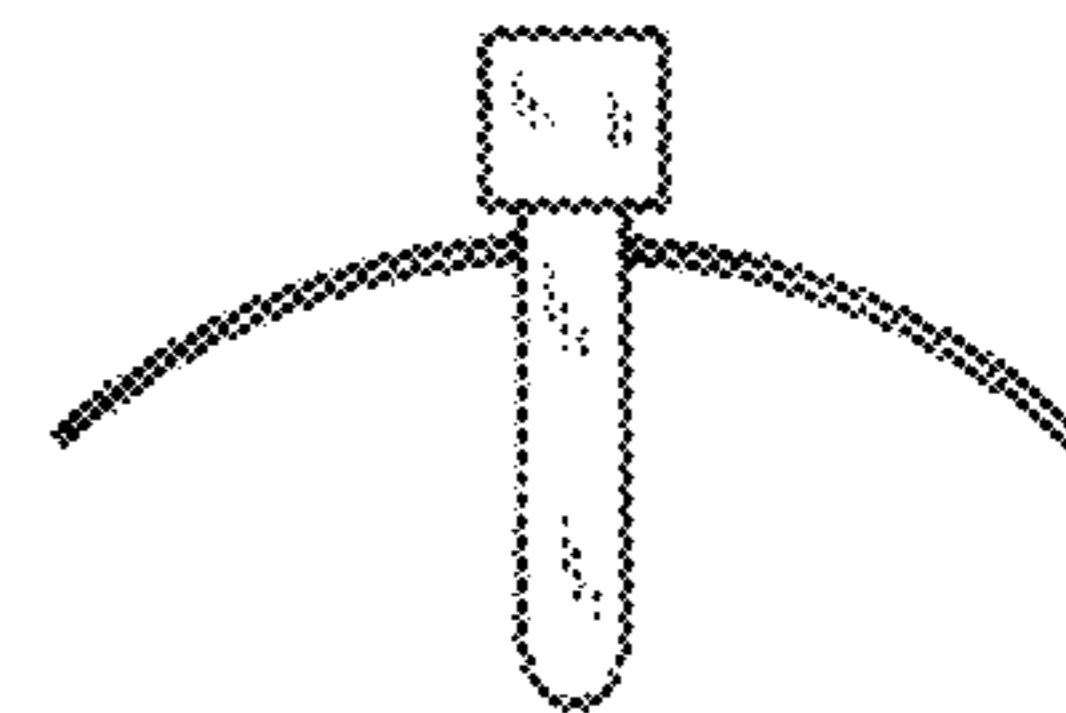
1.1



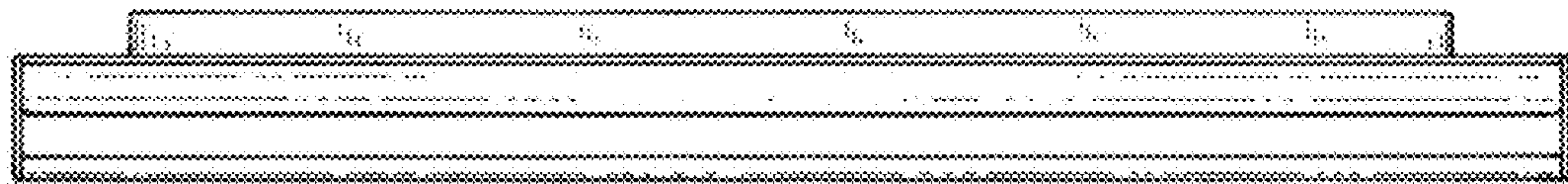
1.2



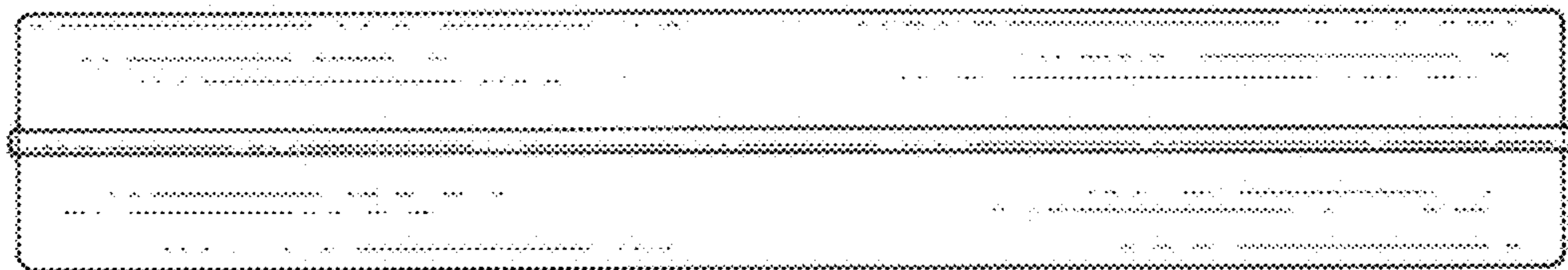
1.3



1.4



1.5



1.6

