



US00D953596S

(12) **United States Design Patent**
Zeng

(10) **Patent No.:** **US D953,596 S**

(45) **Date of Patent:** **** May 31, 2022**

(54) **SOLAR LIGHT**

(71) Applicant: **Zhenzhen Zeng**, Shenzhen (CN)

(72) Inventor: **Zhenzhen Zeng**, Shenzhen (CN)

(73) Assignee: **Shenzhen Deruixin Technology Co., Ltd**, Shenzhen (CN)

(**) Term: **15 Years**

(21) Appl. No.: **29/785,708**

(22) Filed: **May 27, 2021**

(51) **LOC (13) Cl.** **26-05**

(52) **U.S. Cl.**
USPC **D26/67**

(58) **Field of Classification Search**
USPC D26/67-70, 85; D25/135
CPC F21S 8/03; F21S 8/033; F21S 8/036; F21S
8/081; F21S 9/037; F21W 2111/02;
F21W 2111/023; F21W 2131/109
See application file for complete search history.

(56) **References Cited**

U.S. PATENT DOCUMENTS

D208,035 S *	7/1967	Smith	D26/67
4,814,961 A *	3/1989	O'Brien	F21V 11/04 362/291
D309,785 S *	8/1990	Chien	D26/67
D310,577 S *	9/1990	Kakuk	D26/67
D769,809 S	10/2016	Rhymes		
D923,846 S *	6/2021	Peng	D26/67
2002/0148183 A1 *	10/2002	Grant	F21S 8/081 52/302.5

2005/0247920 A1 *	11/2005	Burkart	E04H 17/20 256/1
2008/0232094 A1 *	9/2008	Ramsdell	F21S 8/088 362/183
2018/0172252 A1 *	6/2018	Maguire	F21V 1/06

OTHER PUBLICATIONS

Tapetum Solar Gate Light, ASIN: B075L37RC6. Available from amazon.com Sep. 12, 2017. (Year: 2017).*
BIBO Solar LED Gate Light found at <<https://www.indiamart.com/proddetail/solar-led-gate-light-19919892373.html>> visited Apr. 7, 2022. (Year: 2022).*
Amazon Solar Light—Accessed Jun. 8, 2021; https://www.amazon.com/GIGALUMI-Pathway-Lights-Waterproof-Landscape/dp/B0872XB4BK/ref=sr_1_4_sspa?dchild=1&keywords=solar+light&qid=1622520951&sr=8-4-spons&psc=1&smid=A2R78PEANYETOO&spLa=ZW5jcnlwdGVkUXVhbGlmaWVyPUEyM0paQzZZSUFsNhlJmVuY3.

* cited by examiner

Primary Examiner — Clare E Heflin

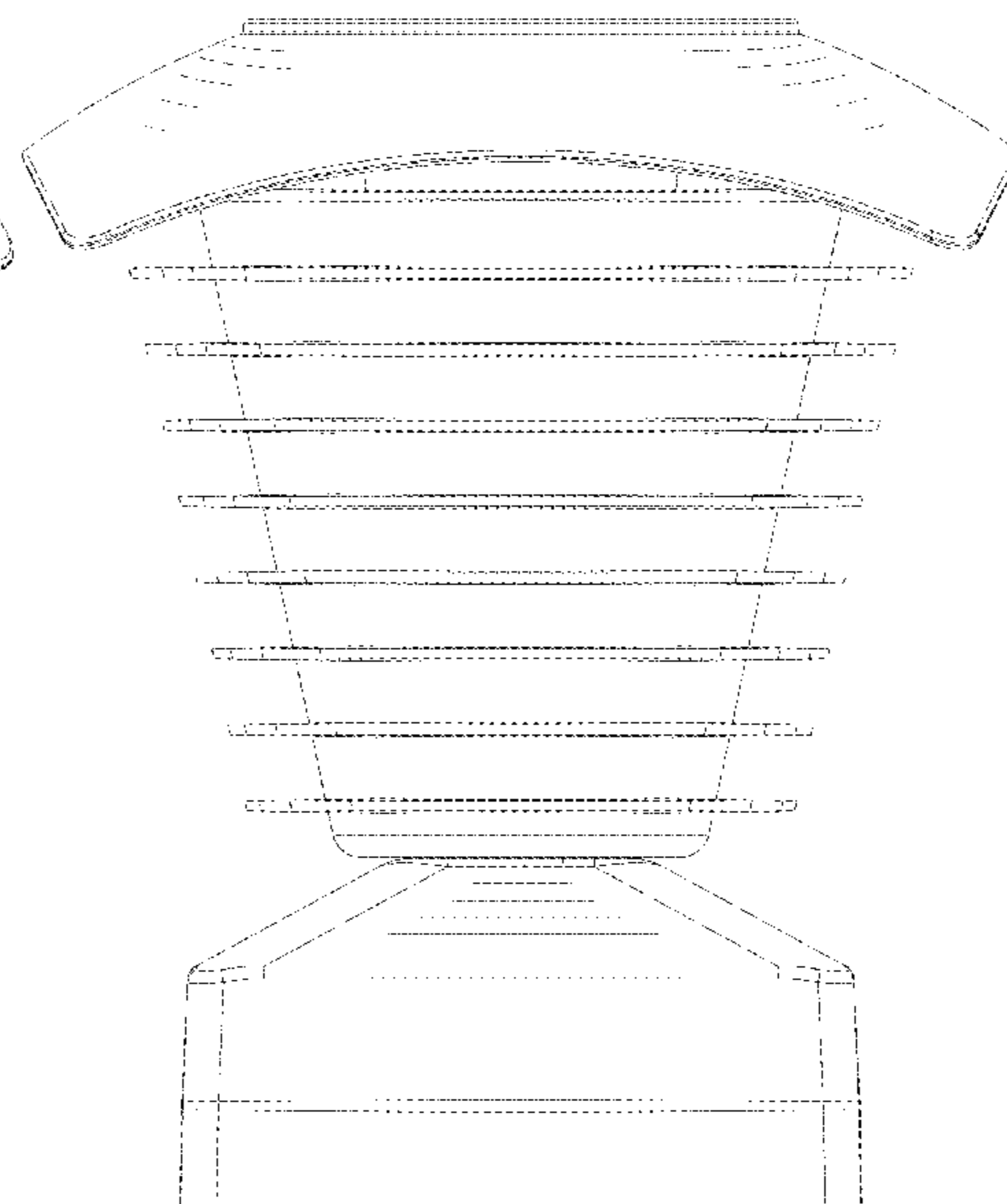
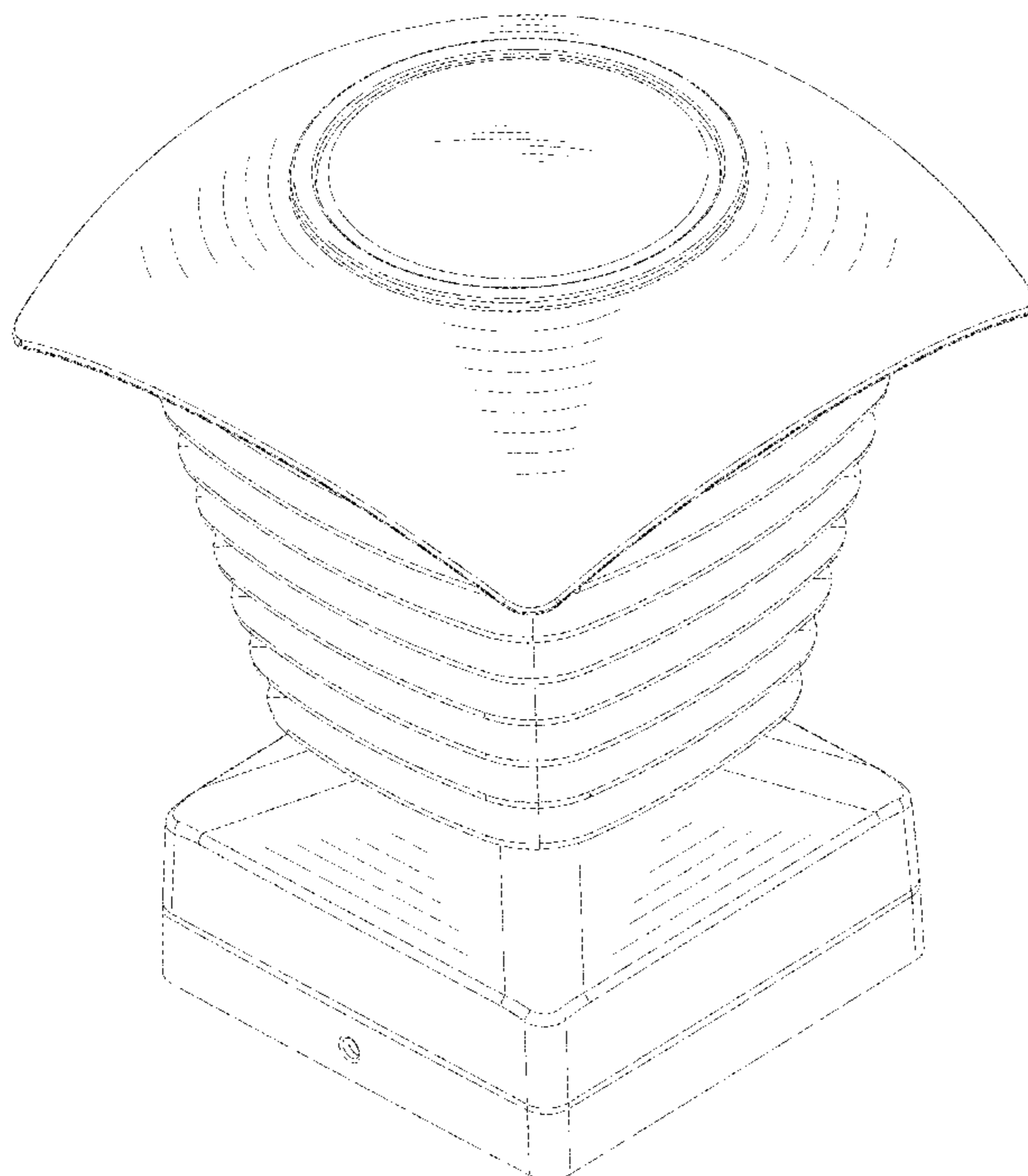
(57) **CLAIM**

The ornamental design for a solar light, as shown and described.

DESCRIPTION

FIG. 1 is a front, top perspective view of a solar light showing my new design;
FIG. 2 is a rear, bottom perspective view thereof;
FIG. 3 is a front elevation view thereof;
FIG. 4 is a rear elevation view thereof;
FIG. 5 is a left side elevation view thereof;
FIG. 6 is a right side elevation view thereof;
FIG. 7 is a top plan view thereof; and,
FIG. 8 is a bottom plan view thereof.

1 Claim, 8 Drawing Sheets



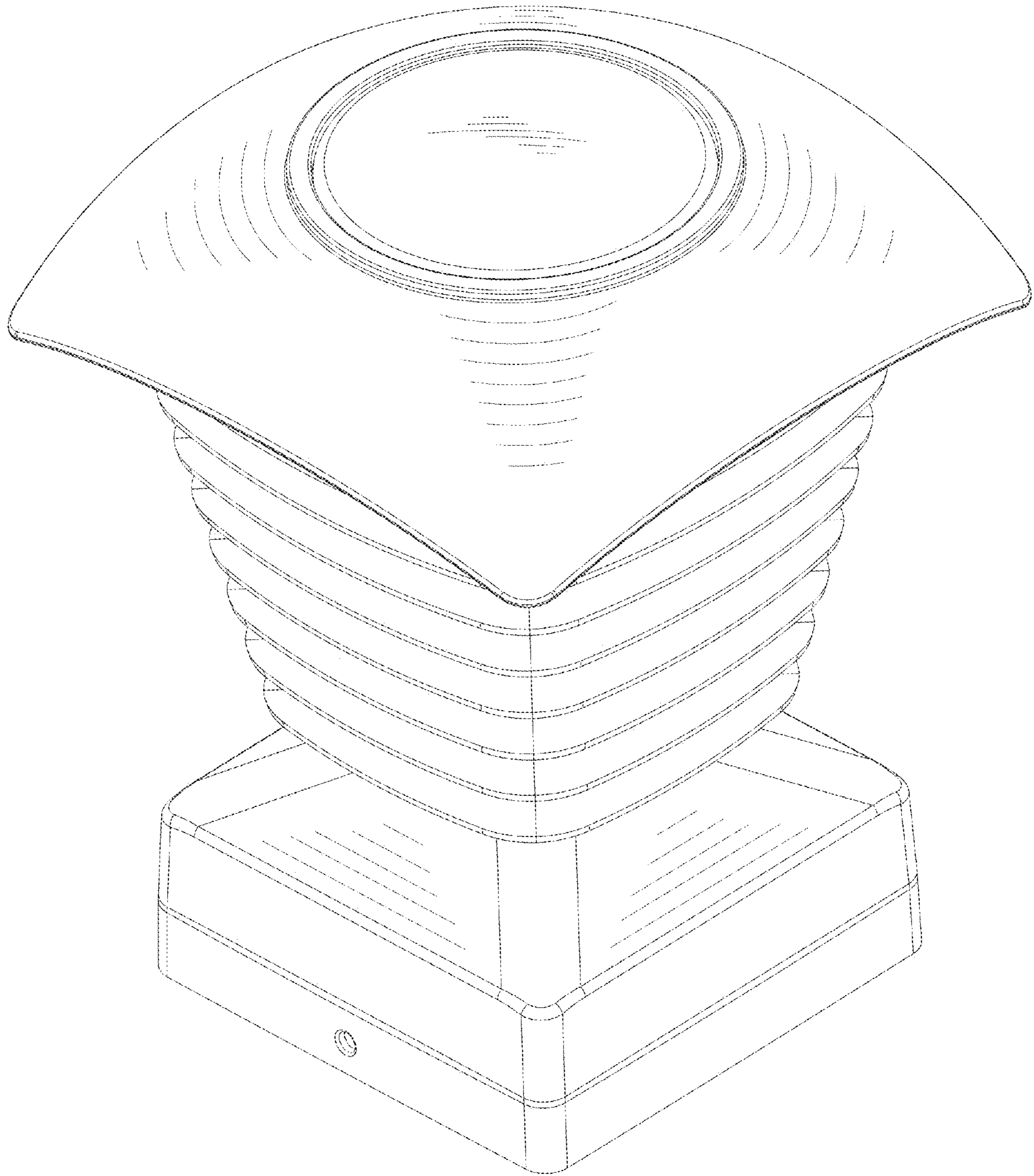


FIG. 1

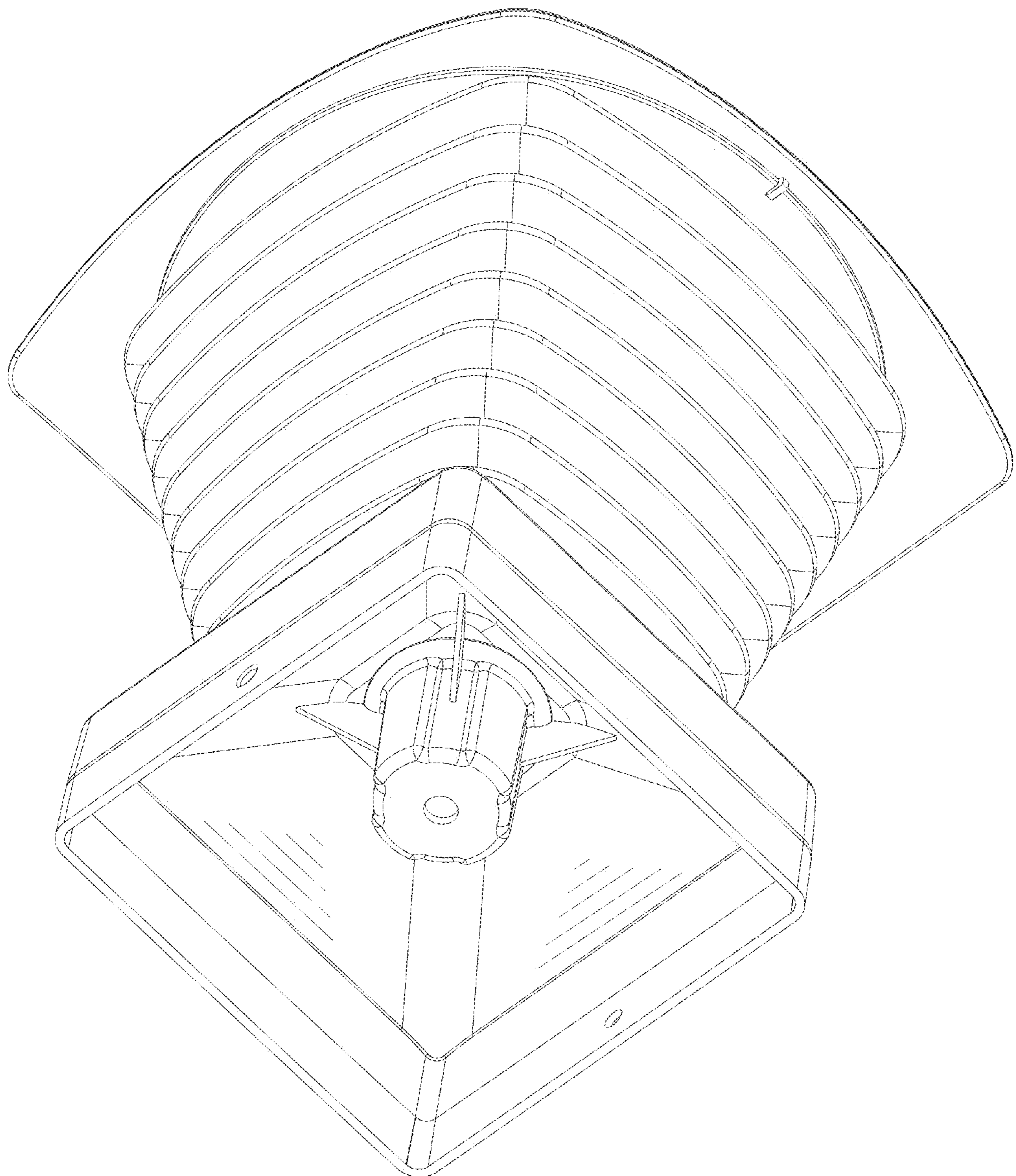


FIG. 2

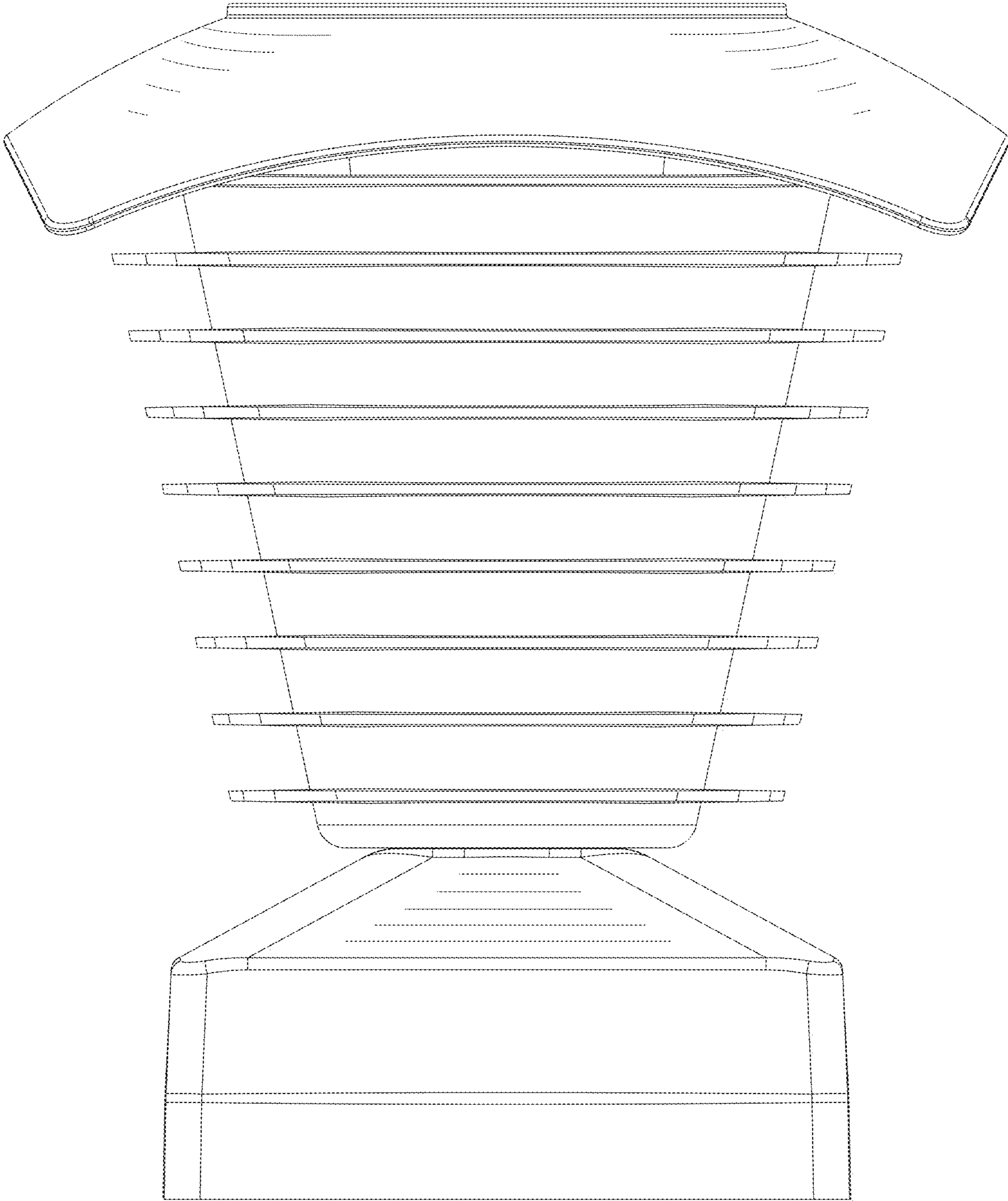


FIG. 3

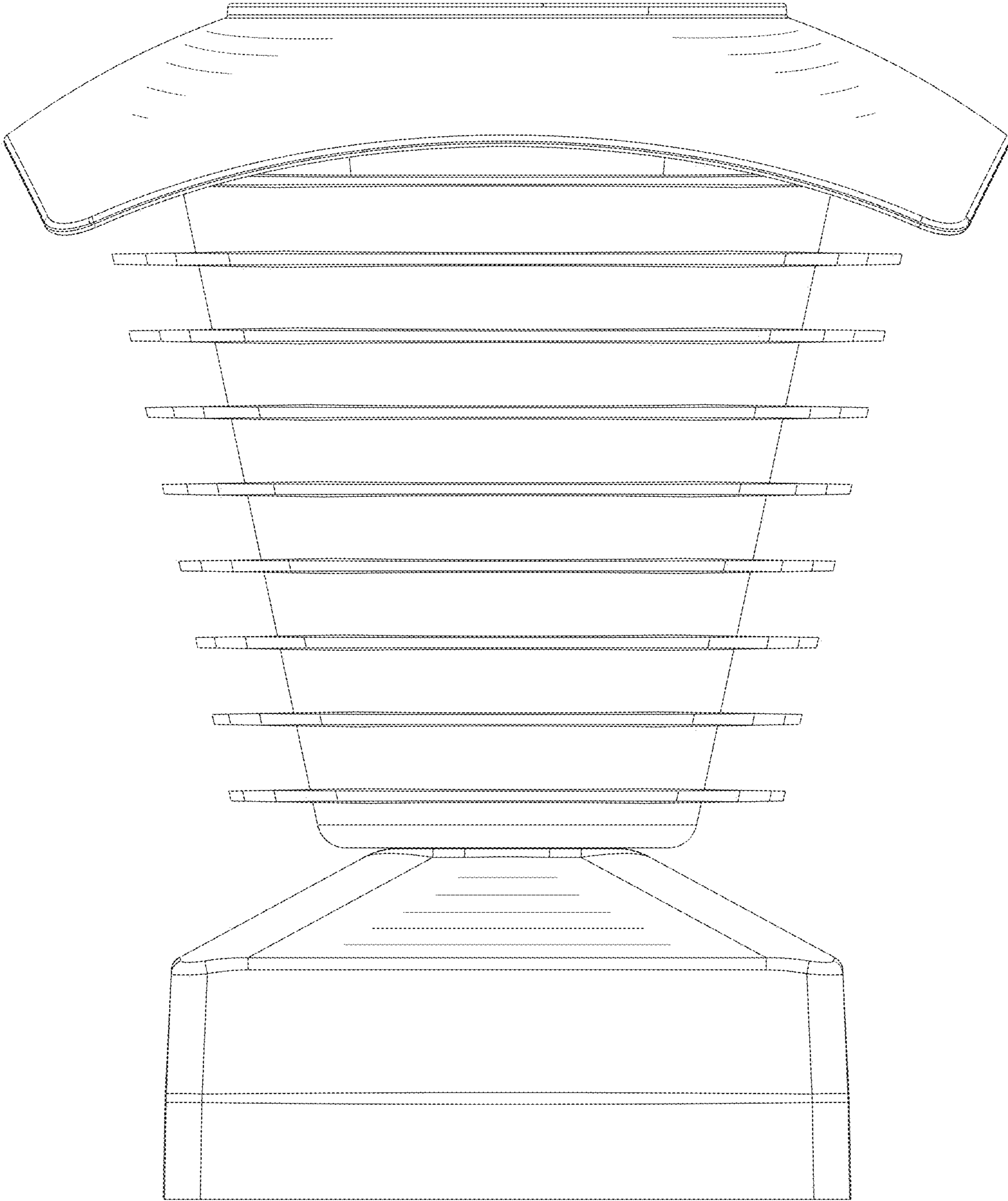


FIG. 4

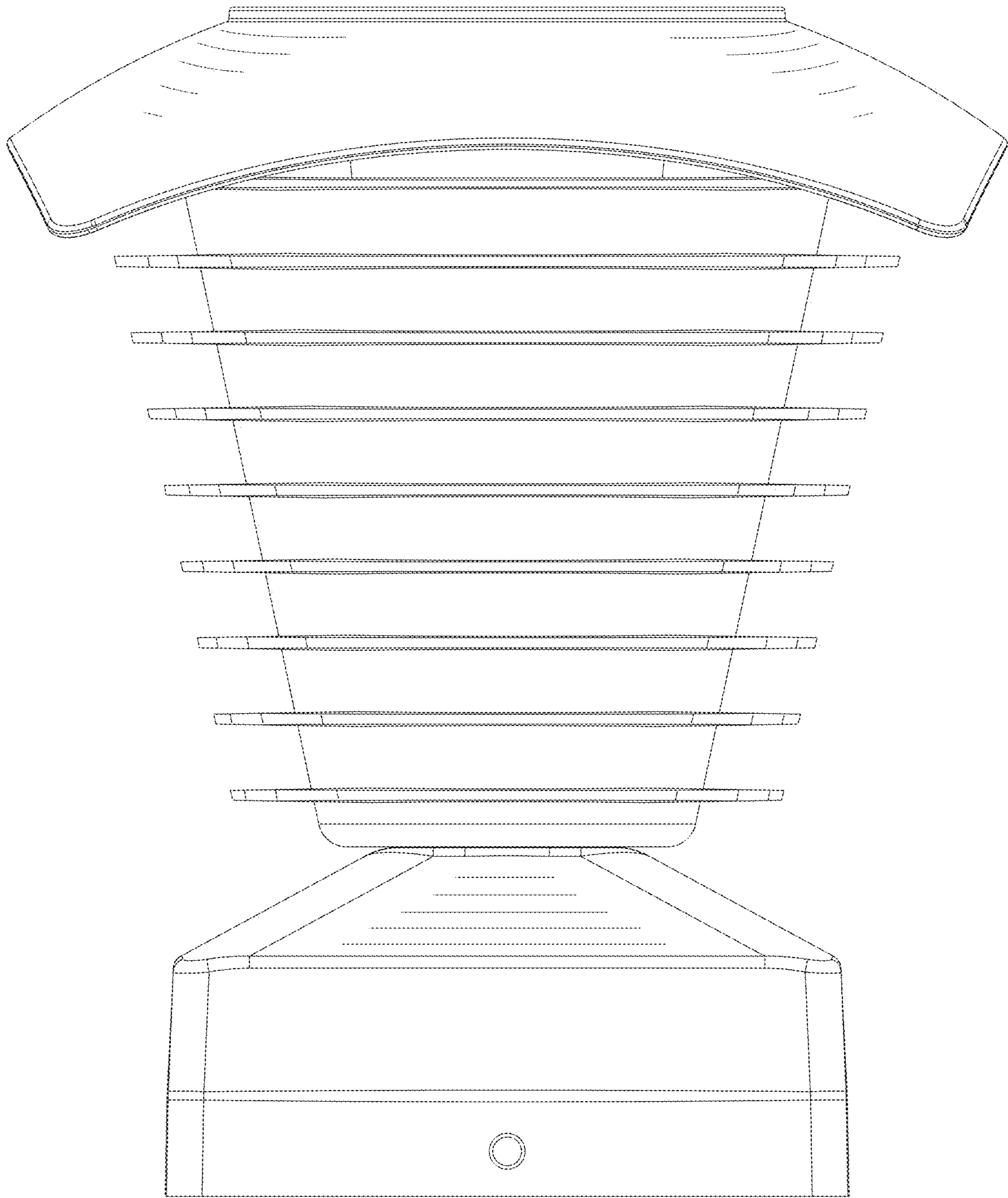


FIG. 5

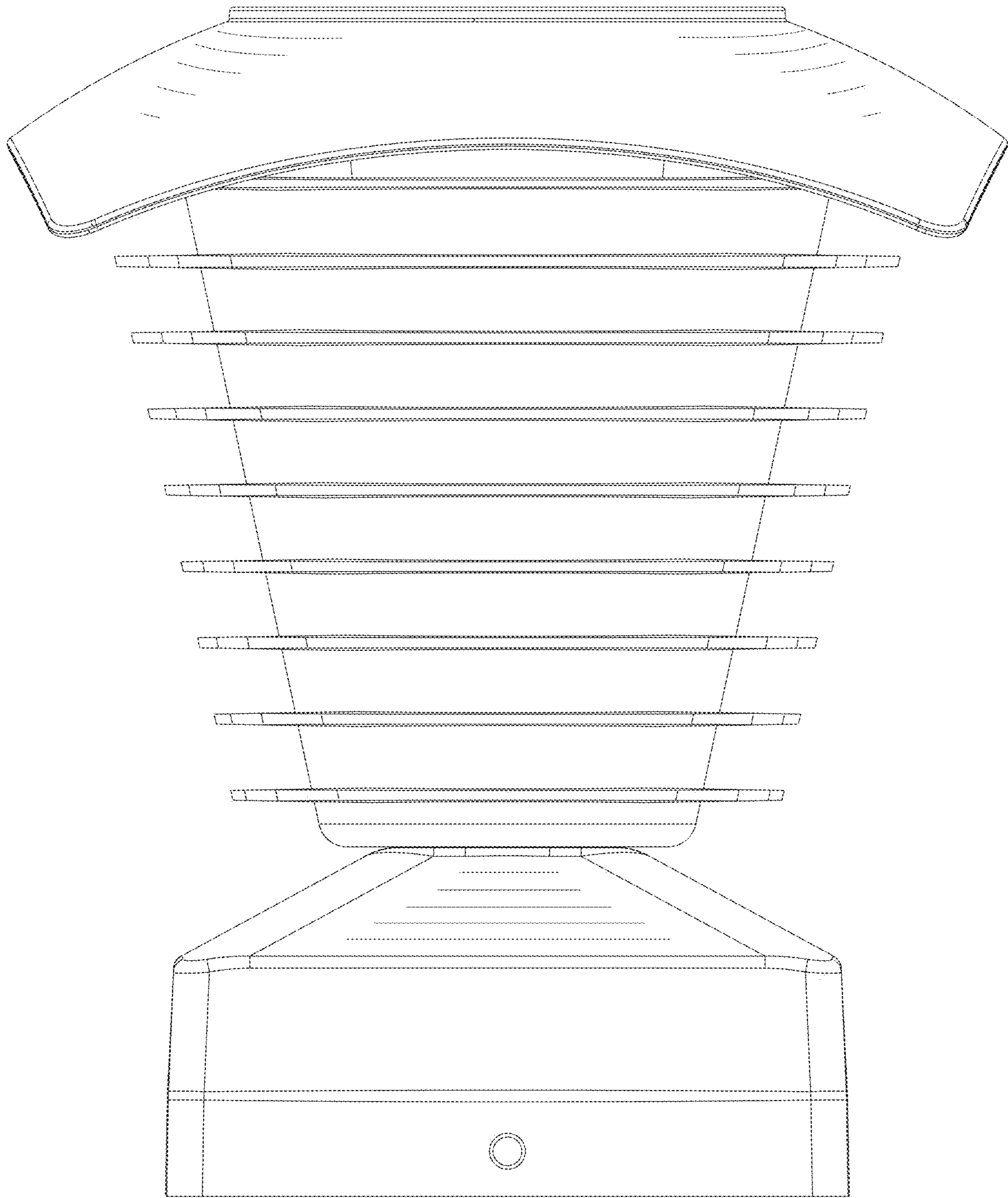


FIG. 6

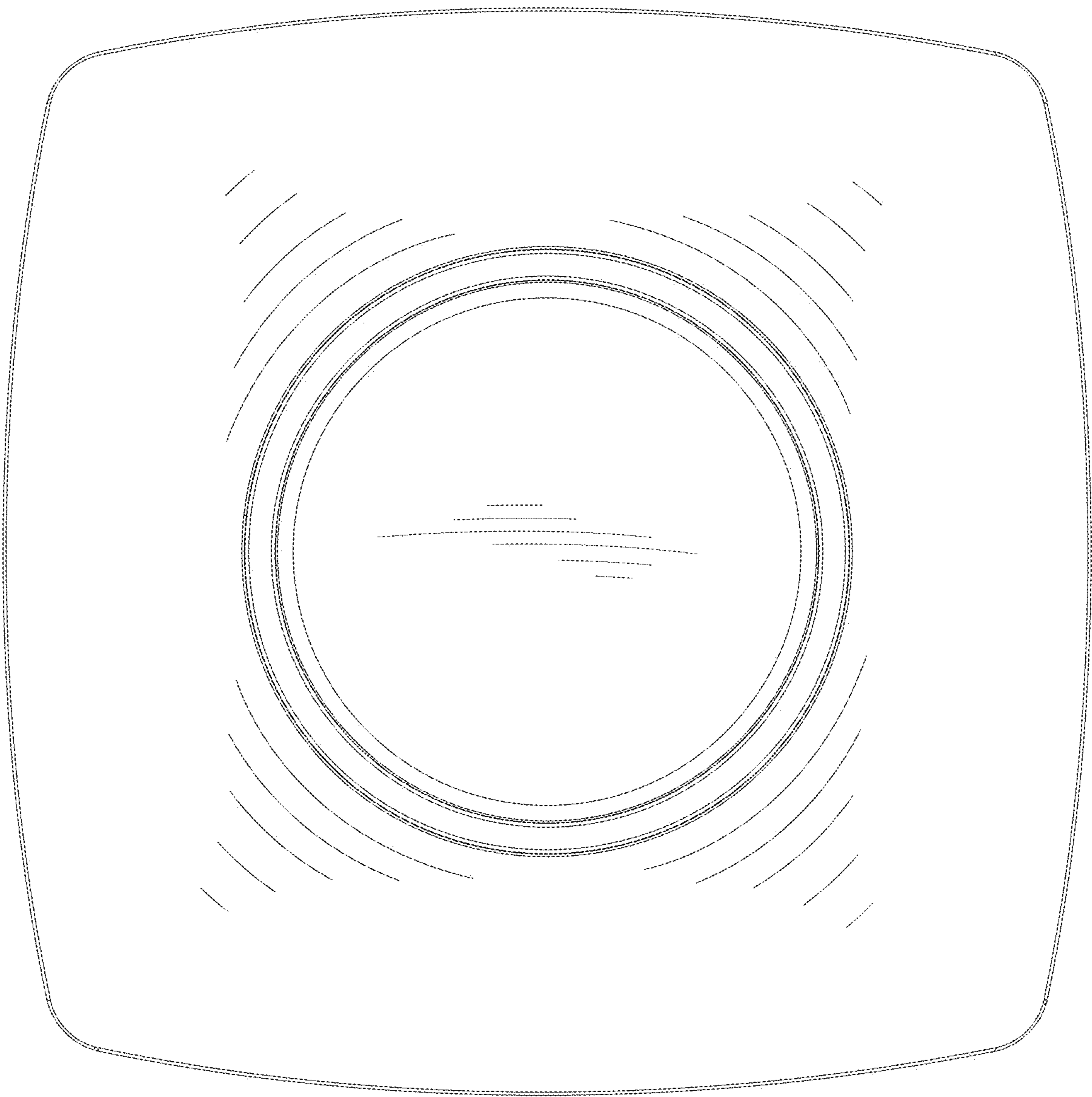


FIG. 7

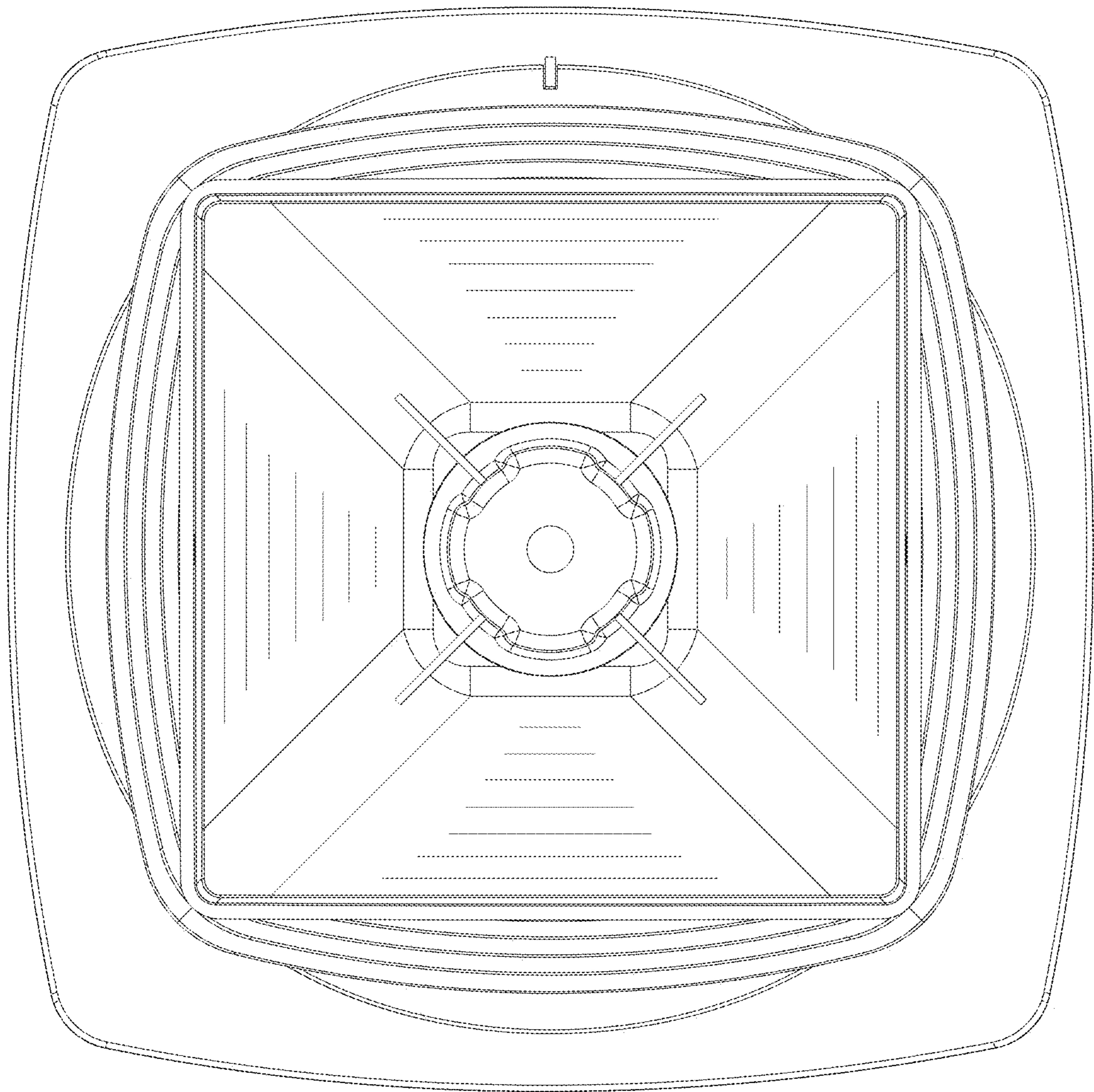


FIG. 8