



US00D953595S

(12) **United States Design Patent**
Chen

(10) **Patent No.:** **US D953,595 S**

(45) **Date of Patent:** **** May 31, 2022**

(54) **GARDEN TORCH LAMP**

D899,659 S * 10/2020 Wang D26/67
D901,057 S * 11/2020 Chen D26/67
D935,676 S * 11/2021 Ma D26/67

(71) Applicant: **Jiajia Chen**, Fuzhou (CN)

(72) Inventor: **Jiajia Chen**, Fuzhou (CN)

(**) Term: **15 Years**

(21) Appl. No.: **29/782,258**

(22) Filed: **May 5, 2021**

(51) **LOC (13) Cl.** **26-05**

(52) **U.S. Cl.**
USPC **D26/67**

(58) **Field of Classification Search**
USPC D26/40, 41, 67-70, 85
CPC F21S 8/03; F21S 8/033; F21S 8/036; F21S
8/081; F21S 9/037; F21W 2111/02;
F21W 2111/023; F21W 2131/109
See application file for complete search history.

(56) **References Cited**

U.S. PATENT DOCUMENTS

D557,851 S * 12/2007 Chen D26/67
D647,234 S 10/2011 Izardel
8,201,971 B2 * 6/2012 Chen F21L 14/00
362/249.02
D663,461 S * 7/2012 Schefers D26/68
D678,575 S * 3/2013 Chen D26/67
D678,576 S * 3/2013 Chen D26/67
D777,363 S * 1/2017 Galipeau D26/68
D821,015 S * 6/2018 Peng D26/68
D824,069 S * 7/2018 Chen D26/67
D844,878 S * 4/2019 Zhang D26/68
D875,291 S 2/2020 Liu

OTHER PUBLICATIONS

Hampton Bay Solar Powered Black LED Path Light, ASIN: B079J5J82B, available from amazon.com Feb. 1, 2018. (Year: 2018).*

GIGALUMI Solar Pathway Lights, ASIN: B08T1LV4F8, available from amazon.com Jan. 14, 2021. (Year: 2021).*

* cited by examiner

Primary Examiner — Clare E Hefflin

(74) *Attorney, Agent, or Firm* — Che-Yang Chen; Law Office of Michael Chen

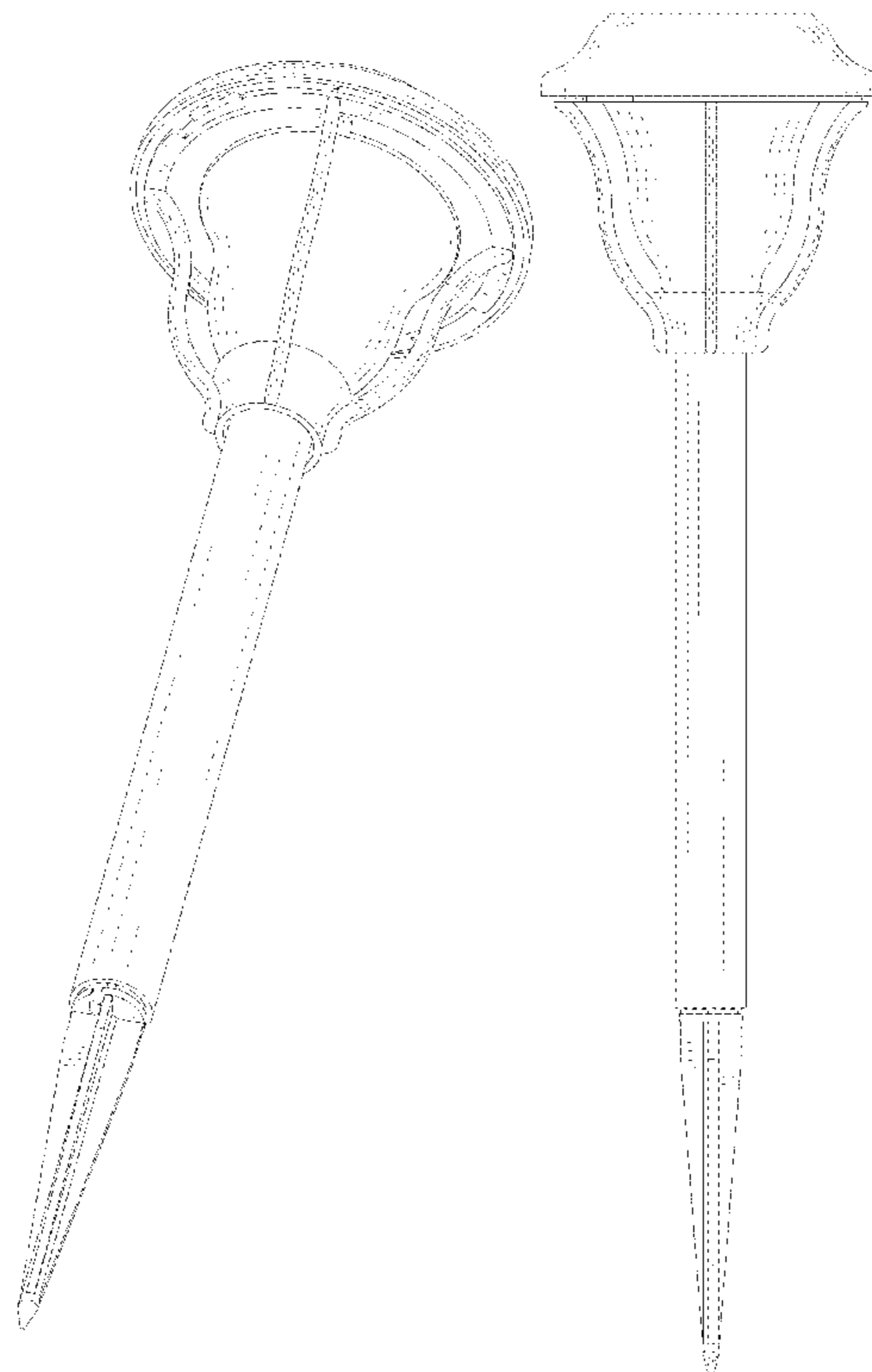
(57) **CLAIM**

The ornamental design for a garden torch lamp, as shown and described.

DESCRIPTION

FIG. 1 is a perspective view of the garden torch lamp showing my new design;
FIG. 2 is a perspective view thereof from another angle;
FIG. 3 is a front elevational view thereof;
FIG. 4 is a rear elevational view thereof;
FIG. 5 is a left side elevational view thereof;
FIG. 6 is a right side elevational view thereof;
FIG. 7 is a top plan view thereof; and,
FIG. 8 is a bottom plan view thereof.

1 Claim, 8 Drawing Sheets



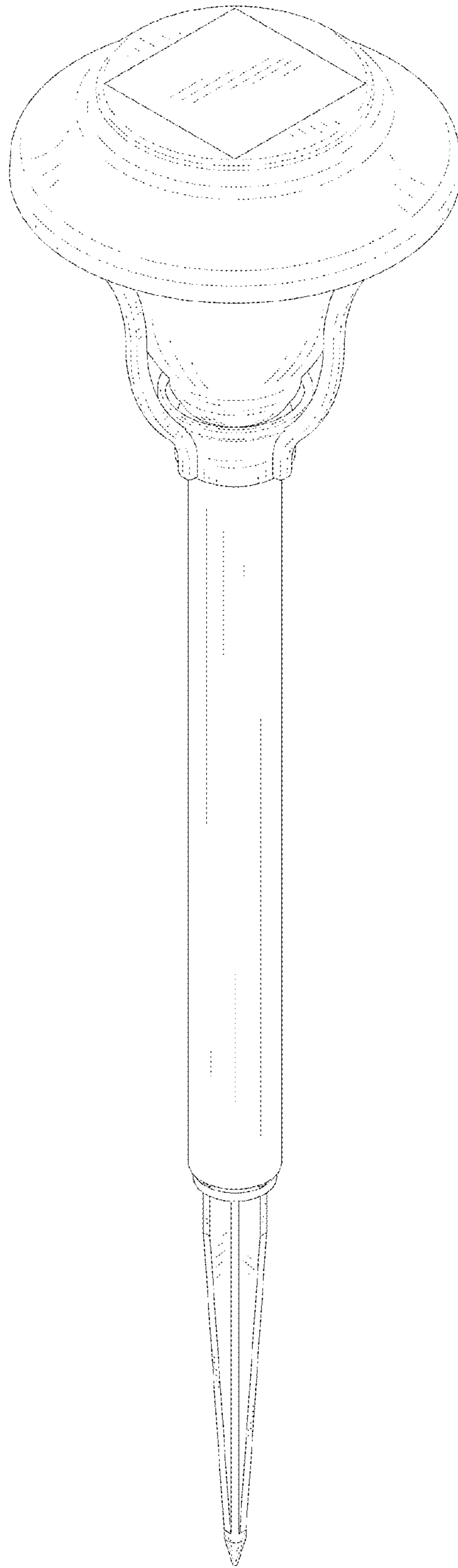


FIG. 1

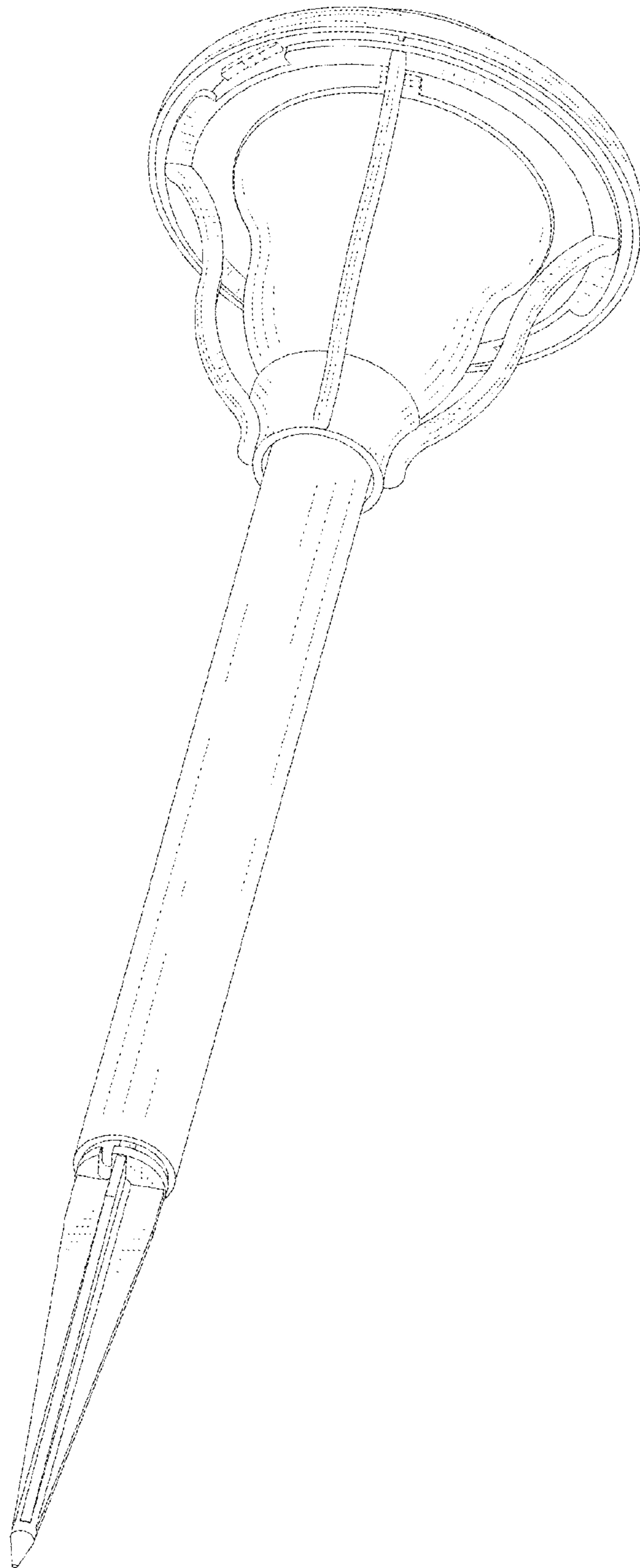


FIG. 2

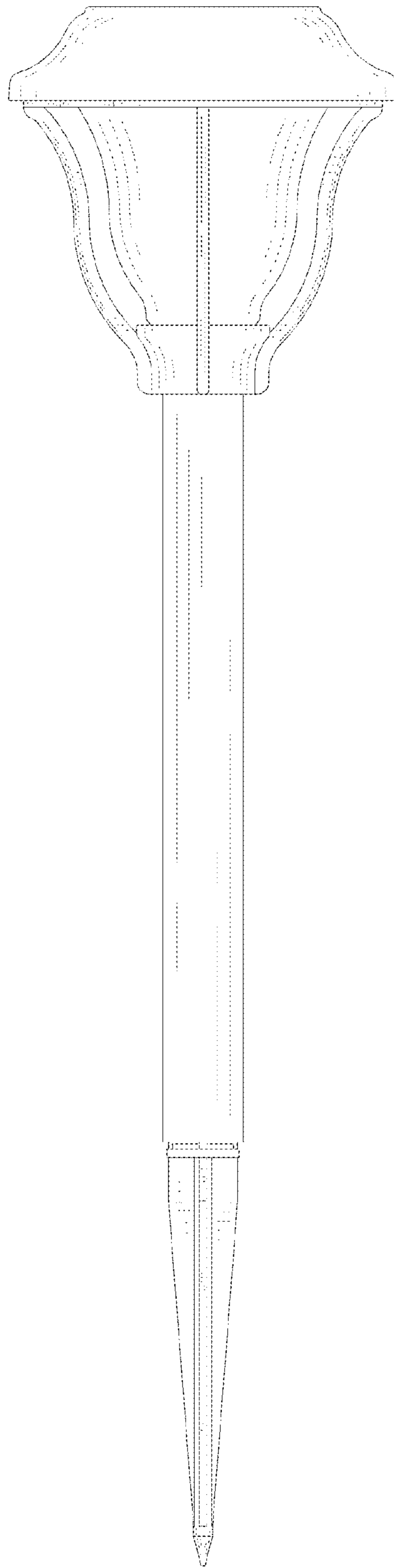


FIG. 3

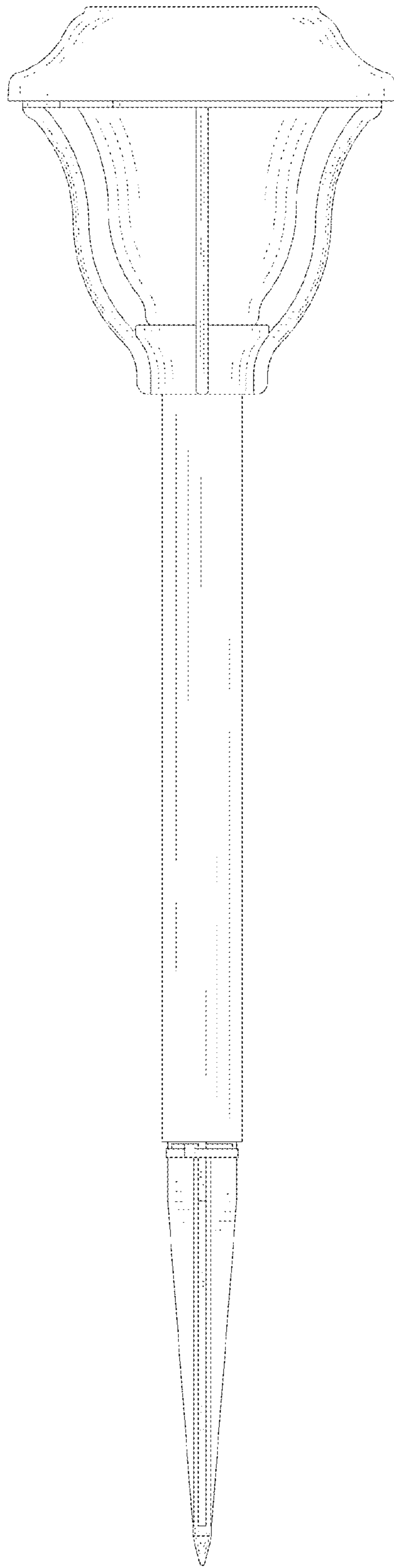


FIG. 4

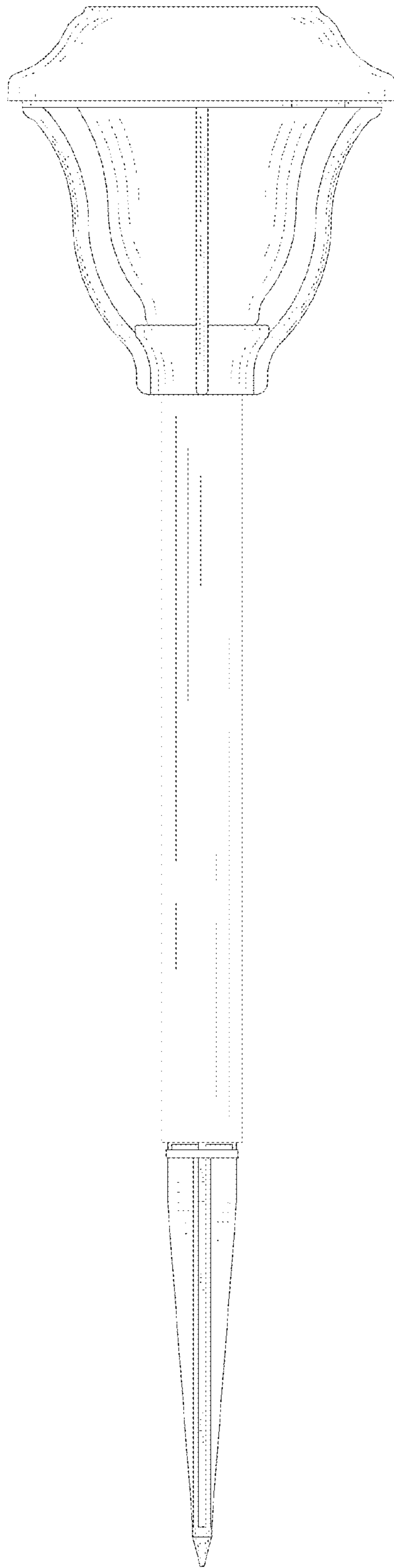


FIG. 5

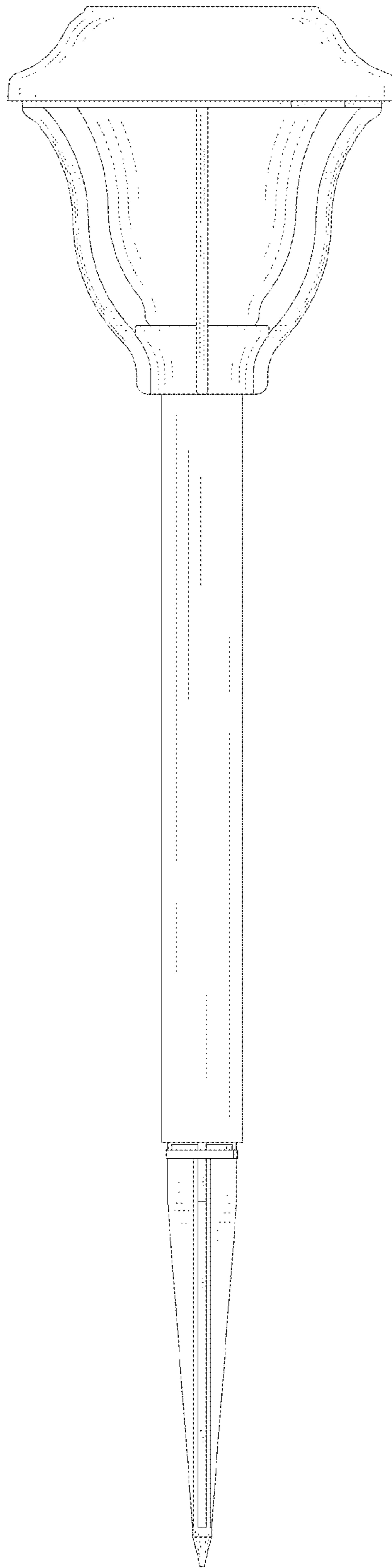


FIG. 6

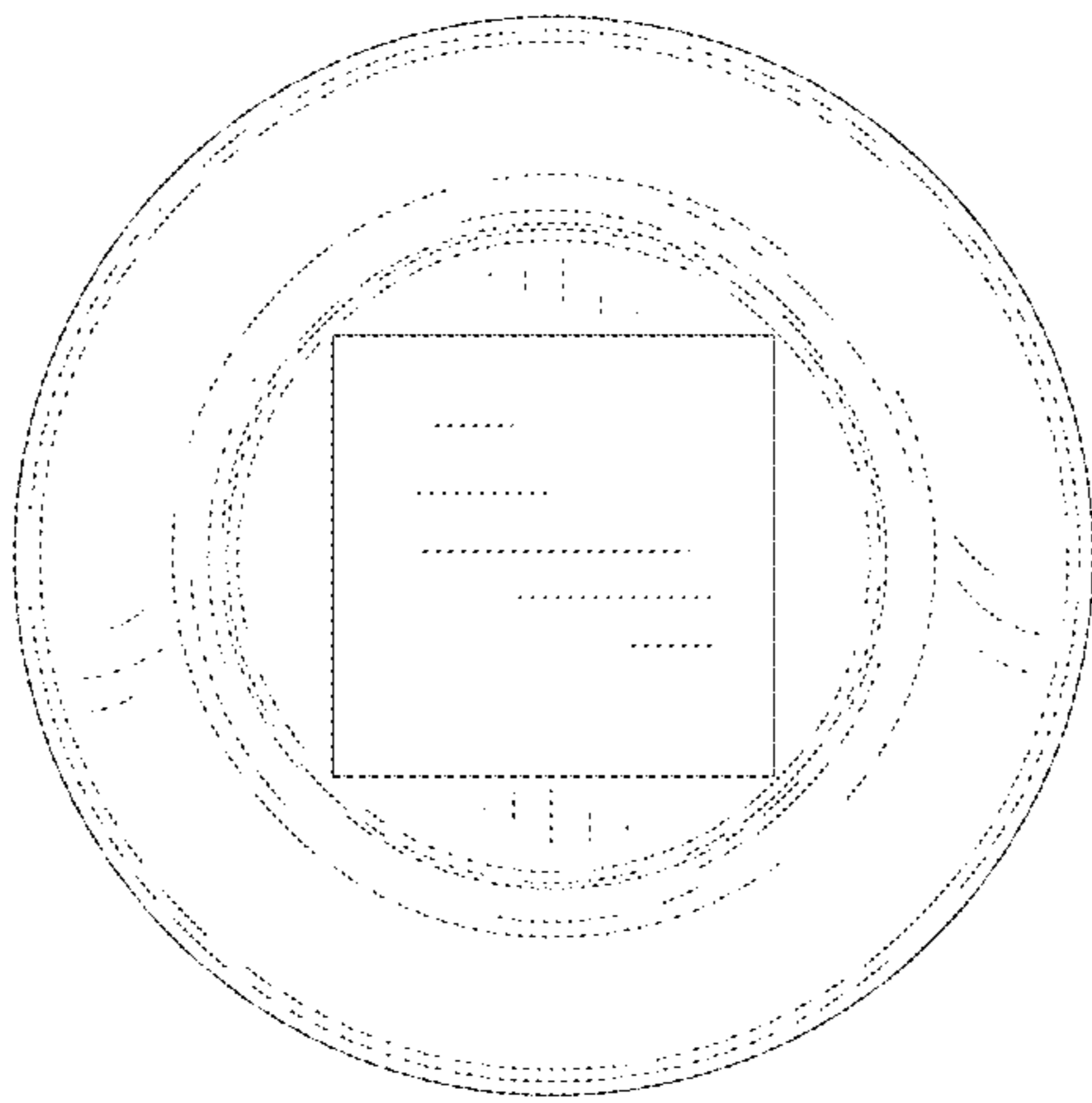


FIG. 7

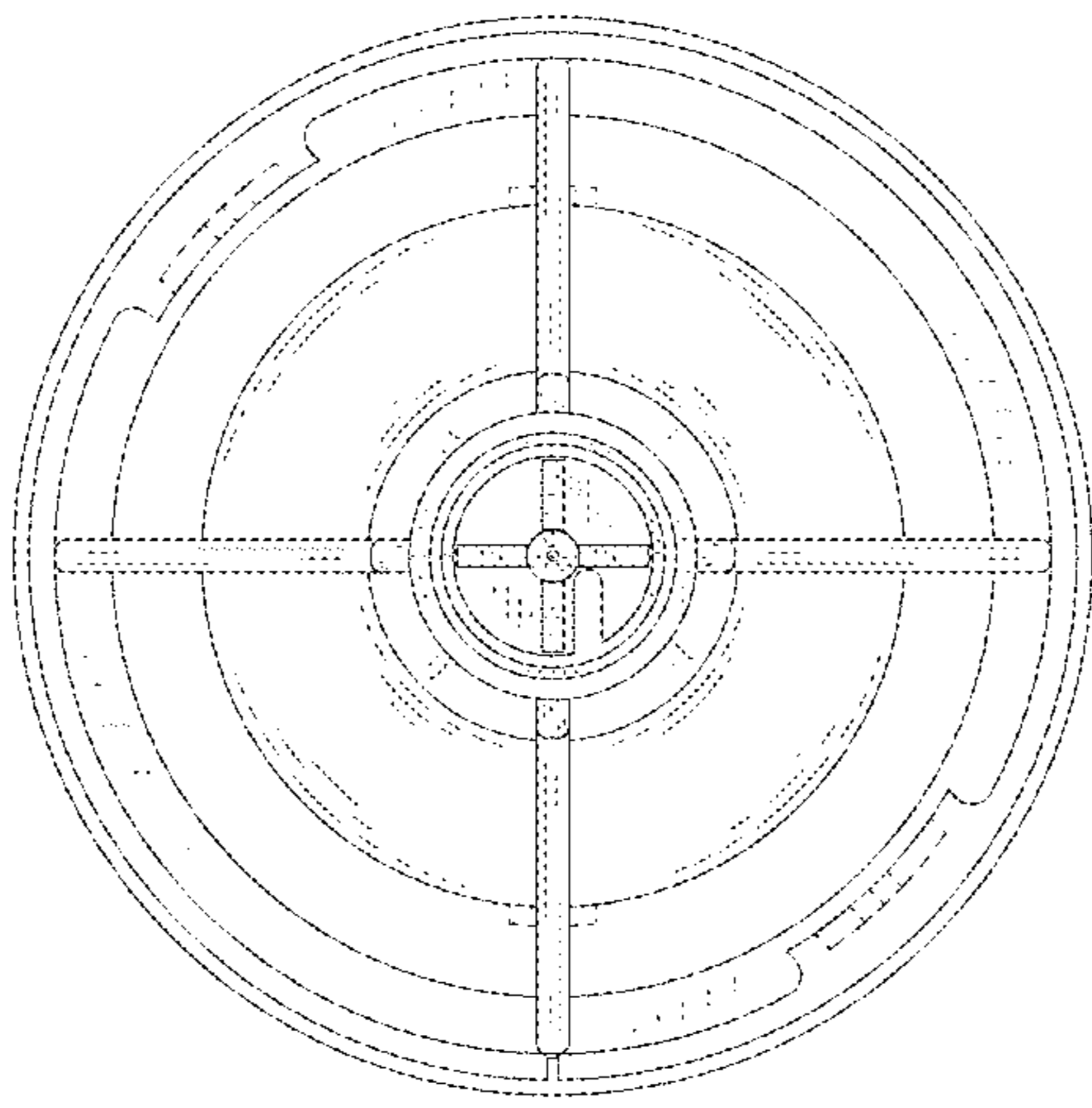


FIG. 8